



US00D931396S

(12) **United States Design Patent** (10) **Patent No.:** **US D931,396 S**
Zheng (45) **Date of Patent:** **** Sep. 21, 2021**

(54) **BOXING TRAINING DEVICE** 7,766,799 B1 * 8/2010 Chen A63B 69/208
482/85
(71) Applicant: **ALIZON TECH CORP LIMITED,** D669,147 S 10/2012 Solah
Hong Kong (CN) D709,976 S 7/2014 Clauder
8,931,767 B2 * 1/2015 Fu A63B 69/201
267/141
(72) Inventor: **Canxiao Zheng,** Shantou (CN) D792,933 S 7/2017 Warner
D816,788 S 5/2018 Chen
D899,544 S 10/2020 Li
(**) Term: **15 Years** 2013/0085044 A1 * 4/2013 Chen A63B 69/20
482/87
(21) Appl. No.: **29/768,009** 2013/0324372 A1 * 12/2013 Cuadrado A63B 69/20
482/90

(22) Filed: **Jan. 27, 2021**
(51) **LOC (13) Cl.** **21-02**
(52) **U.S. Cl.**
USPC **D21/787**
(58) **Field of Classification Search**
USPC D21/787, 798, 662, 680, 686, 688, 689,
D21/691, 692-694, 698, 715, 719;
482/83-90
CPC A63B 69/20; A63B 69/201; A63B 69/203;
A63B 69/205; A63B 69/206; A63B
69/208; A63B 69/24; A63B 69/26; A63B
69/32; A63B 69/325; A63B 69/34
See application file for complete search history.

(56) **References Cited**

U.S. PATENT DOCUMENTS

519,918 A * 5/1894 MacLearn A63B 69/208
482/90
547,342 A * 10/1895 Foster A63B 69/205
482/87
690,605 A * 1/1902 Price A63B 69/201
482/86
710,113 A * 9/1902 Maxwell A63B 69/205
482/87
1,612,796 A * 12/1926 Abraham A63B 69/208
482/90
2,186,403 A * 1/1940 Bullis A63B 69/208
482/90
4,486,016 A * 12/1984 Rubin A63B 69/24
482/90
D584,785 S 1/2009 McDonald

(Continued)

FOREIGN PATENT DOCUMENTS

CN 302511535 * 7/2013
CN 302579439 * 9/2013

(Continued)

Primary Examiner — Catherine A Tuttle

(74) *Attorney, Agent, or Firm* — Rumit Ranjit Kanakia

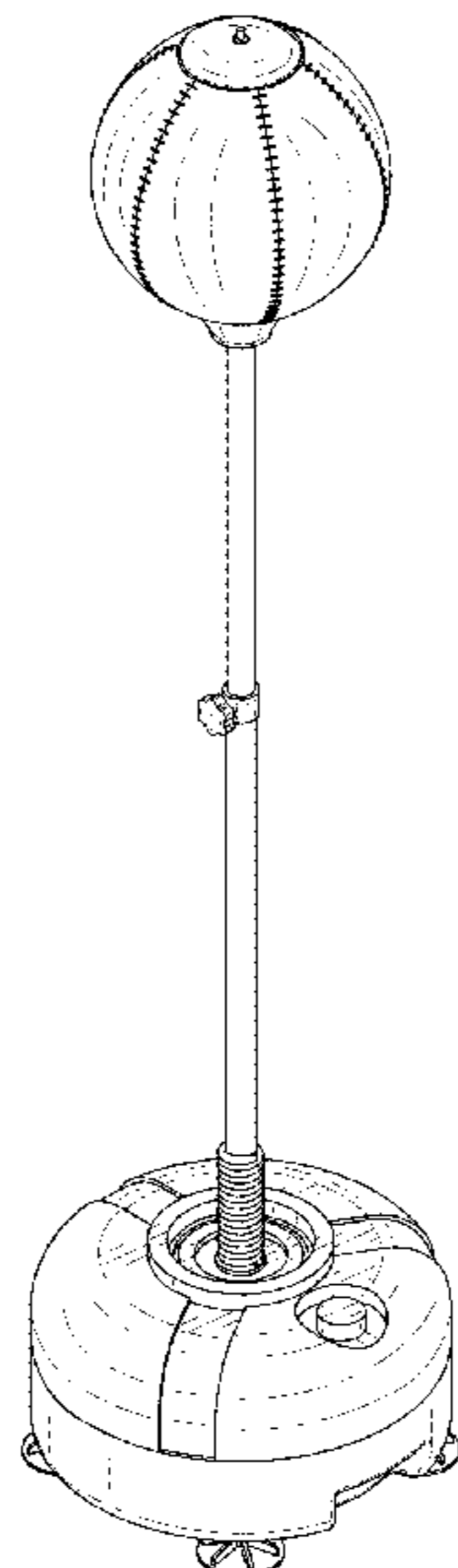
(57) **CLAIM**

The ornamental design for a boxing training device, as shown and described.

DESCRIPTION

FIG. 1 is a front view of a boxing training device showing my new design;
FIG. 2 is a rear view thereof;
FIG. 3 is a left side view thereof;
FIG. 4 is a right side view thereof;
FIG. 5 is a top view thereof;
FIG. 6 is a bottom view thereof; and,
FIG. 7 is a perspective view thereof.
The broken lines in FIG. 6 depict the portions of the boxing training device that form no part of the claimed design.

1 Claim, 7 Drawing Sheets



(56)

References Cited

U.S. PATENT DOCUMENTS

2015/0182833 A1* 7/2015 Hu A63B 69/208
482/87
2020/0155914 A1* 5/2020 Hu A63B 69/208

FOREIGN PATENT DOCUMENTS

CN 302673525 * 12/2013
CN 302761527 * 3/2014
CN 302967757 * 10/2014
CN 304525429 * 3/2018
CN 306041273 * 9/2020
DE 3203044 A1 * 11/1982 A63B 69/208
WO WO-2010111459 A1 * 9/2010 A63B 69/24
WO WO-2012087368 A1 * 6/2012 A63B 69/0091

* cited by examiner

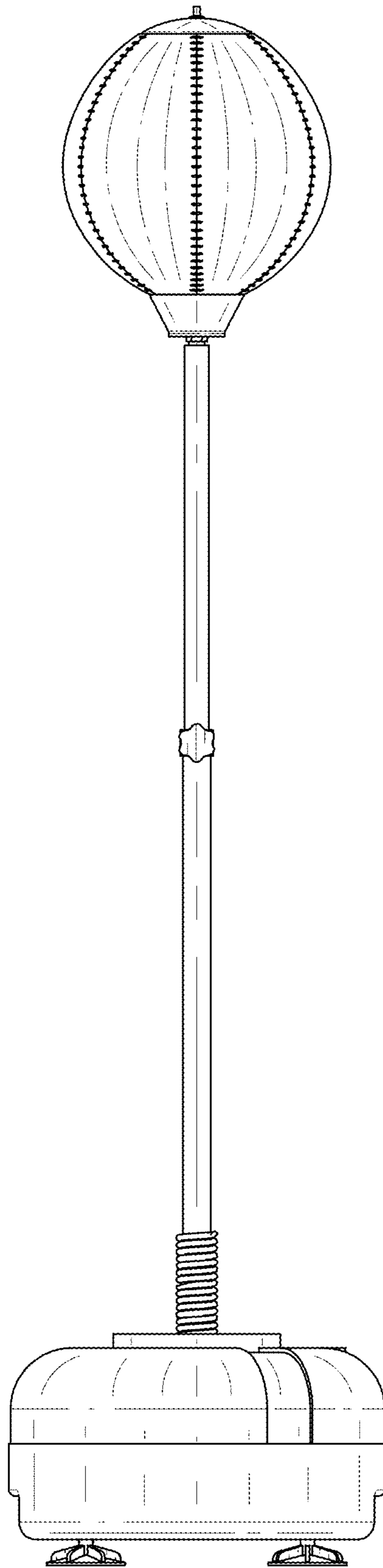


FIG. 1

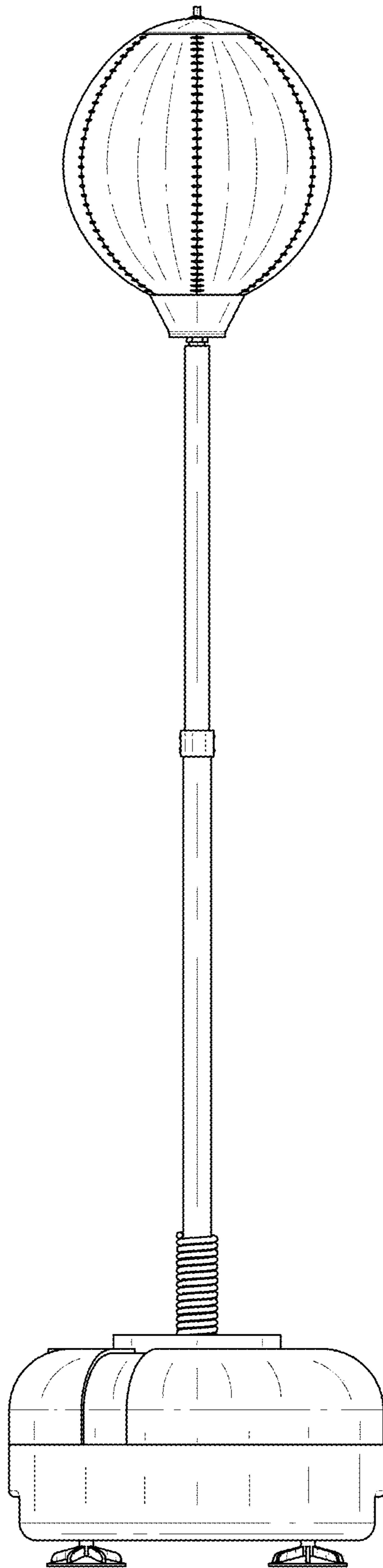


FIG. 2

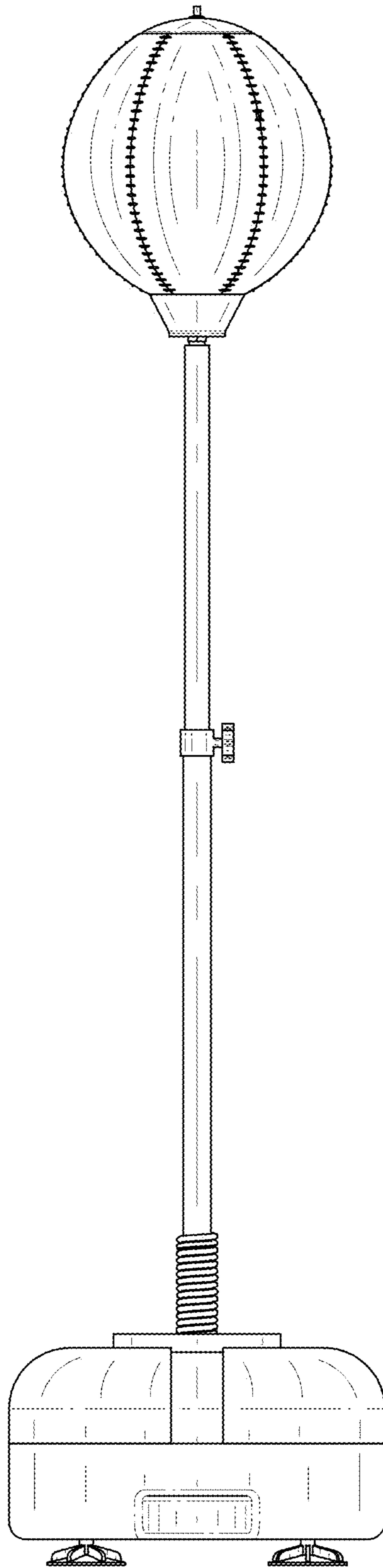


FIG. 3

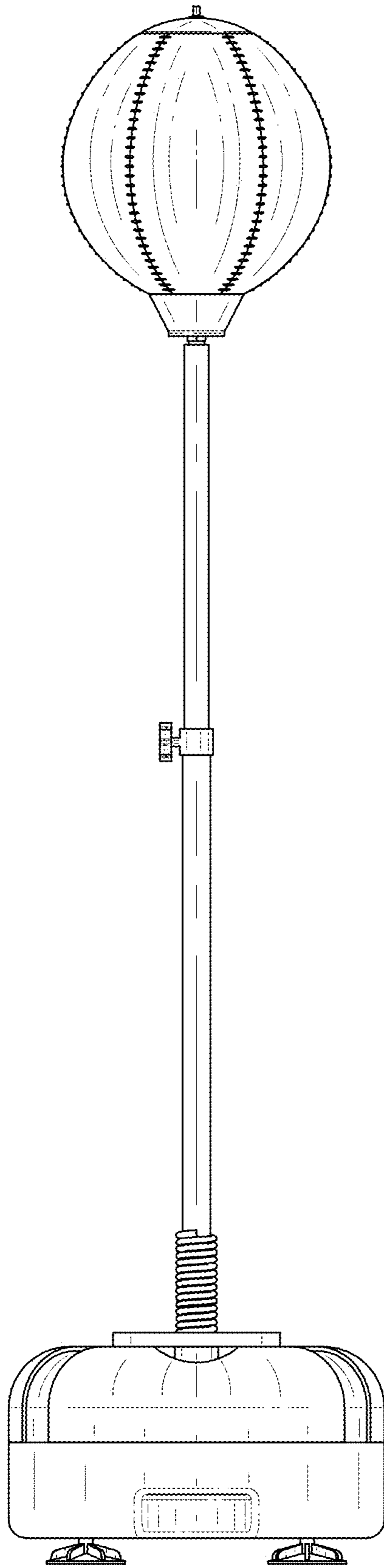


FIG. 4

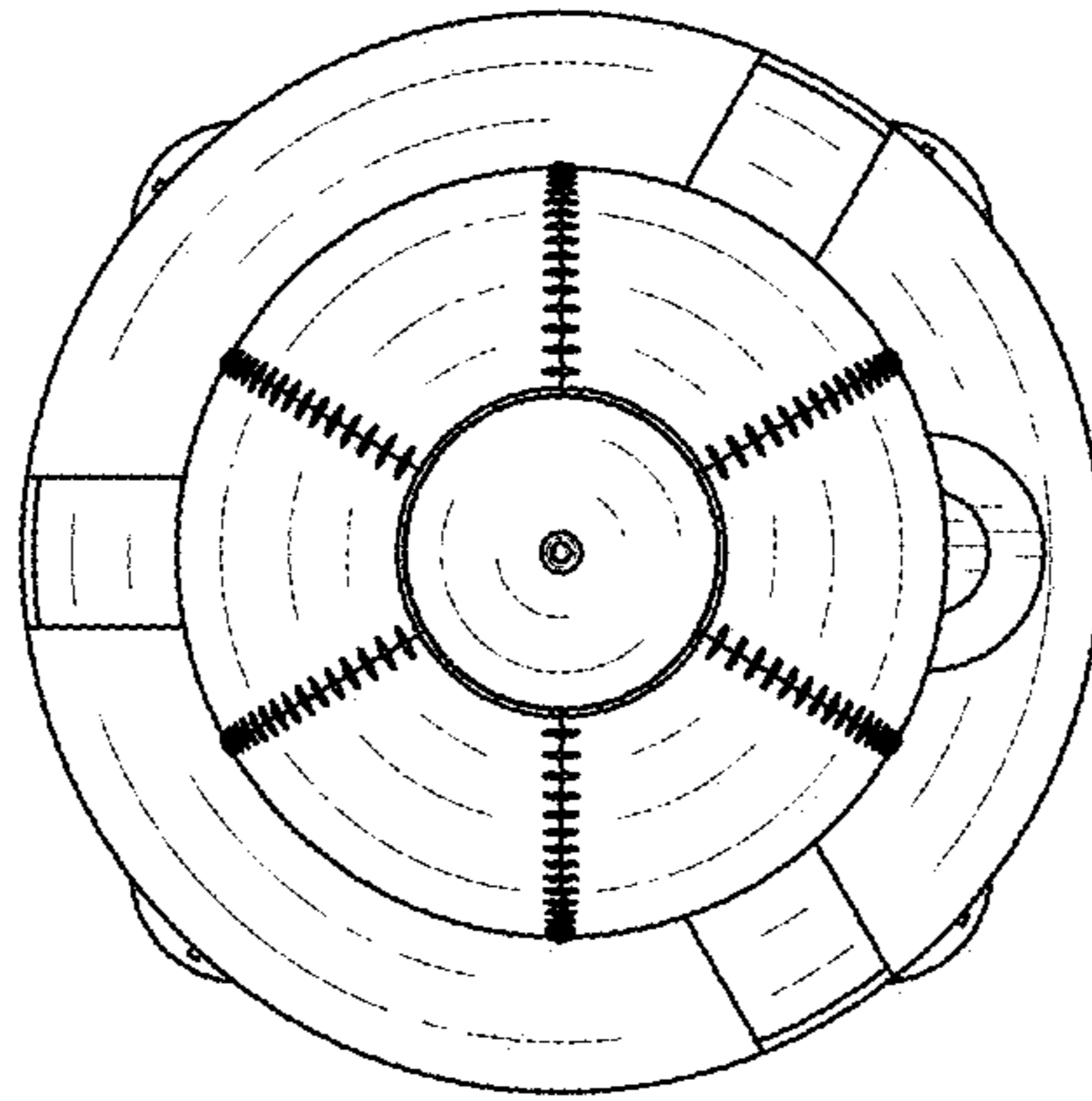


FIG. 5

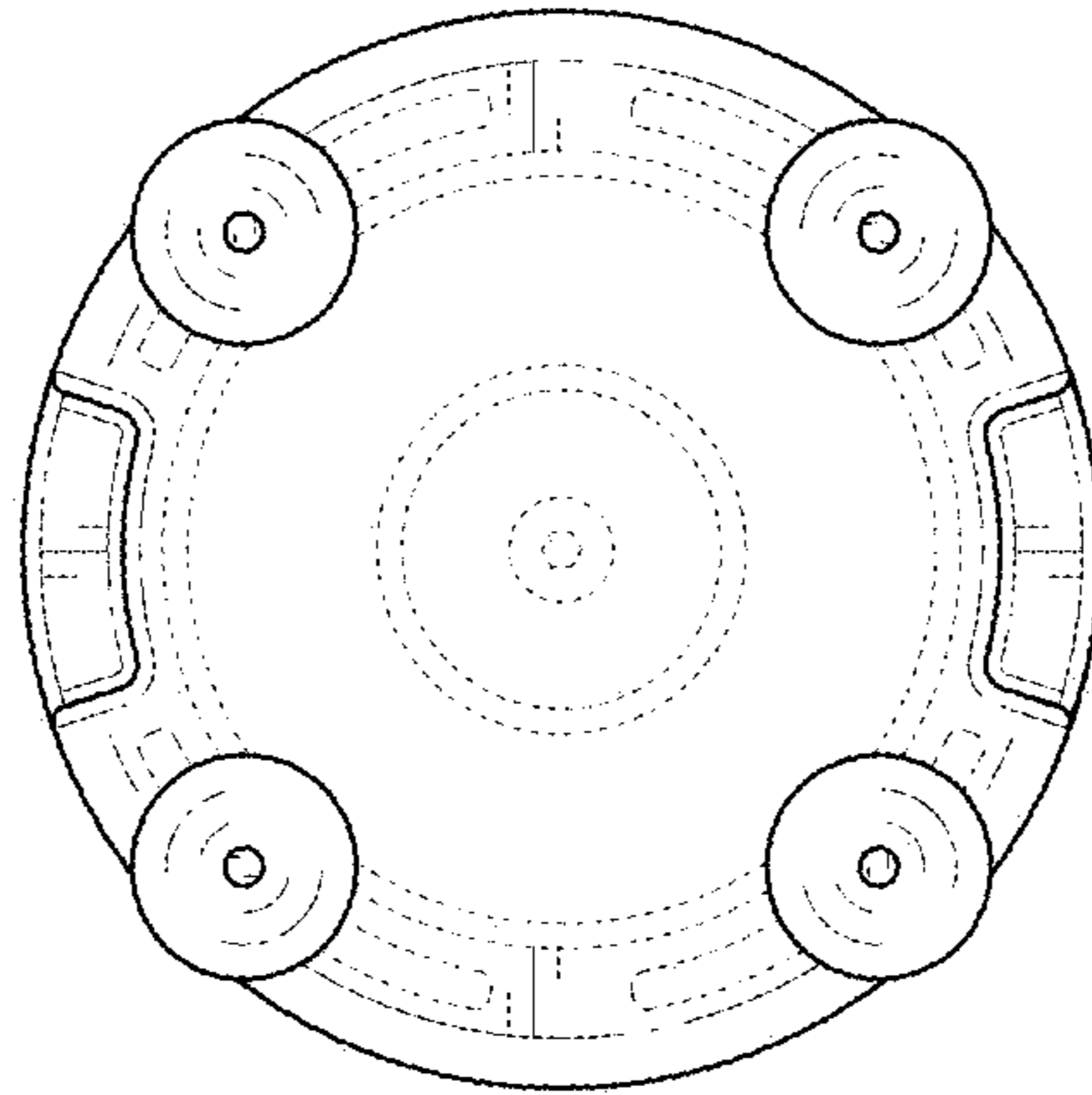


FIG. 6

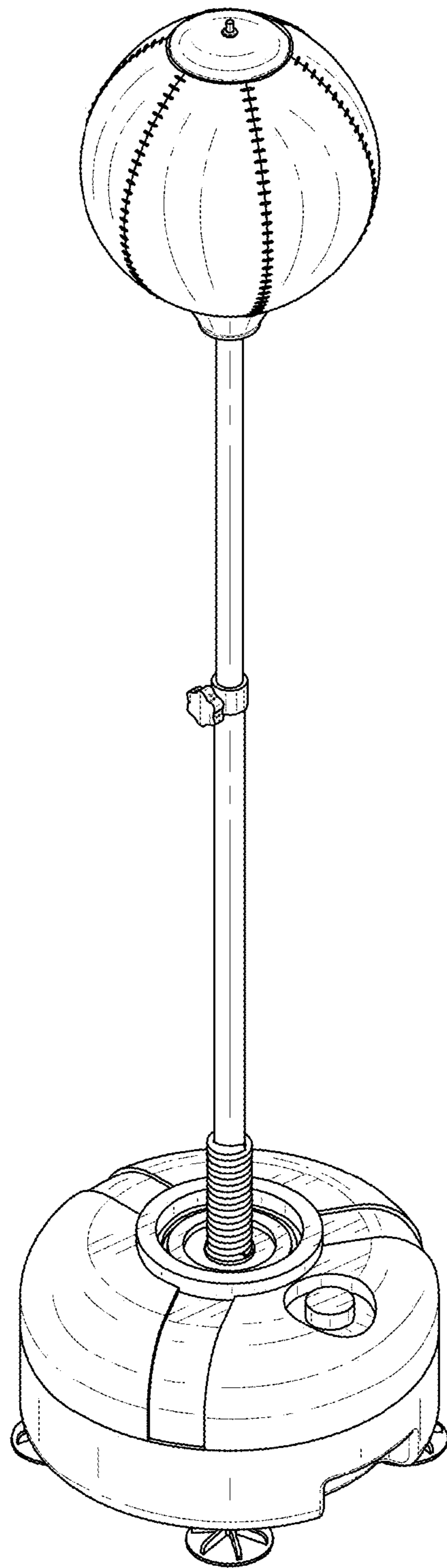


FIG. 7