



US00D931395S

(12) **United States Design Patent**
Michelini

(10) **Patent No.:** **US D931,395 S**

(45) **Date of Patent:** **** Sep. 21, 2021**

(54) **THREE-LINE GOLF PUTTER ATTACHMENT**

(71) Applicant: **Mark Ian Michelini**, Los Angeles, CA
(US)

(72) Inventor: **Mark Ian Michelini**, Los Angeles, CA
(US)

(**) Term: **15 Years**

(21) Appl. No.: **29/729,646**

(22) Filed: **Mar. 29, 2020**

(51) **LOC (13) Cl.** **21-02**

(52) **U.S. Cl.**
USPC **D21/759**

(58) **Field of Classification Search**
USPC D21/736-746, 759, 789
CPC A63B 53/00; A63B 53/04; A63B 53/007;
A63B 53/065; A63B 53/0487; A63B
60/00; A63B 60/46

See application file for complete search history.

(56) **References Cited**

U.S. PATENT DOCUMENTS

D111,855 S *	10/1938	Moreno	D21/759
2,503,506 A *	4/1950	Miller	A63B 69/3685
				473/251
D205,041 S *	6/1966	Capps	D21/759
4,002,343 A *	1/1977	Eckert	A63B 69/3632
				473/251
D246,329 S *	11/1977	Little	D21/739
D248,181 S *	6/1978	Cervantes	473/253
D279,399 S *	6/1985	Neumunz	D21/759
D310,115 S *	8/1990	Iinuma	D21/739
D314,031 S *	1/1991	Iinuma	D21/739
D317,490 S *	6/1991	Pelz	D21/744
D360,446 S *	7/1995	Juliano	D21/759
D502,519 S *	3/2005	Kang	D21/759
D519,593 S *	4/2006	Solari	D21/791
7,033,283 B2 *	4/2006	Kang	A63B 69/3685
				473/231

D559,930 S *	1/2008	Cameron	D21/746
D581,477 S *	11/2008	Burdick	D21/743
D585,511 S *	1/2009	Cameron	D21/743
D620,993 S *	8/2010	Laub	D21/746
D623,251 S *	9/2010	Rollinson	D21/744
D626,191 S *	10/2010	Hilton	D21/744
D626,615 S *	11/2010	Isbrandt	D21/759

(Continued)

Primary Examiner — Mitchell I. Siegel

(74) *Attorney, Agent, or Firm* — Lazaris IP

(57) **CLAIM**

The ornamental design for a three-line golf putter attachment, as shown and described.

DESCRIPTION

FIG. 1 is a top, rear, and right perspective view of a three-line golf putter attachment according to the present design;

FIG. 2 is a top, front and left perspective view of a three-line golf putter attachment according to the present design;

FIG. 3 is a left side elevation view of a three-line golf putter attachment according to the present design;

FIG. 4 is a right side elevation view of a three-line golf putter attachment according to the present design;

FIG. 5 is a rear elevation view of a three-line golf putter attachment according to the present design;

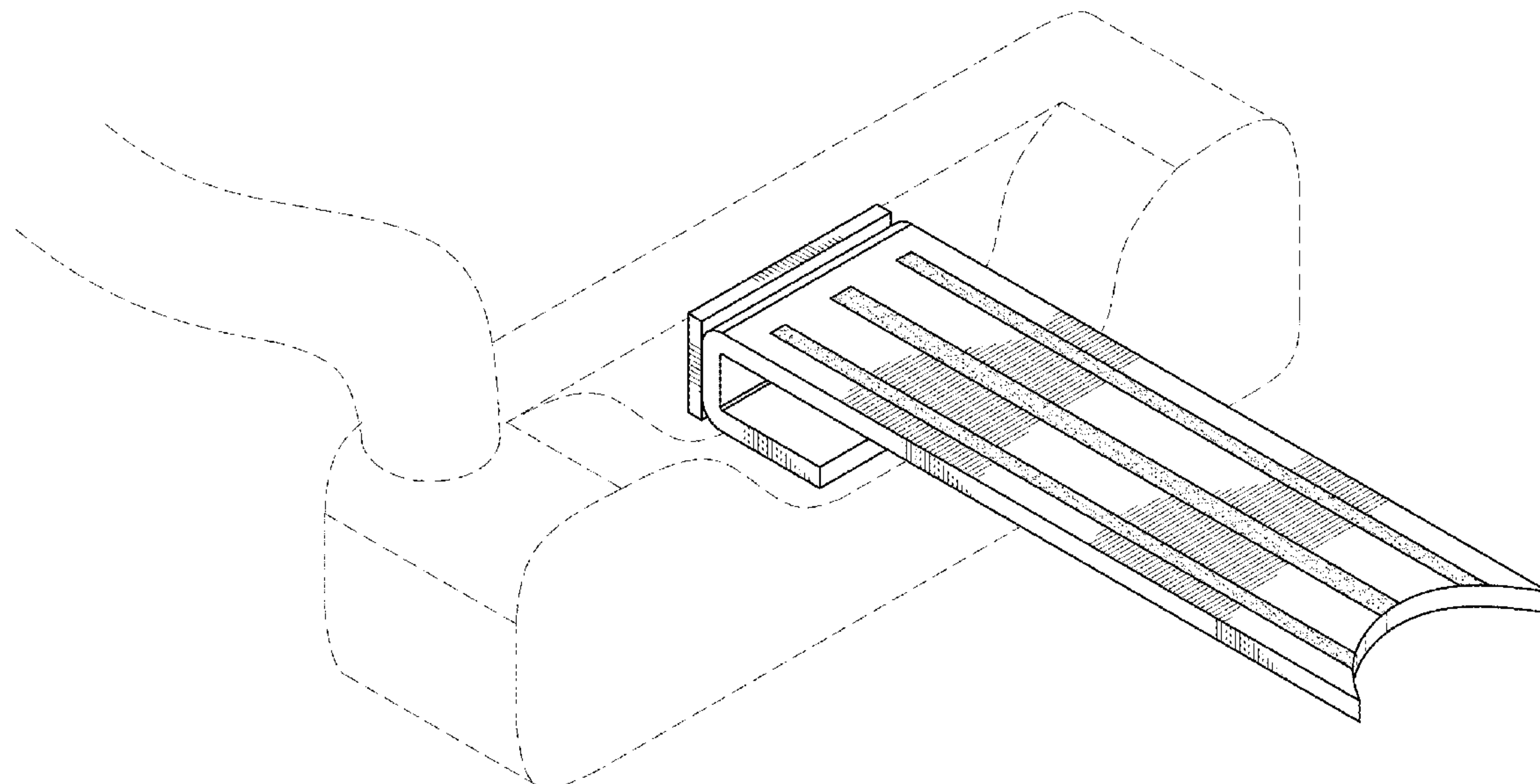
FIG. 6 is a front elevation view of a three-line golf putter attachment according to the present design;

FIG. 7 is a top plan view of a three-line golf putter attachment according to the present design; and,

FIG. 8 is a bottom plan view of a three-line golf putter attachment according to the present design.

Broken lines are indicated in FIG. 1 for the purpose of illustrating a golf putter to which the three-line golf putter attachment is affixable, and form no part of the claimed design.

1 Claim, 5 Drawing Sheets



(56)

References Cited

U.S. PATENT DOCUMENTS

D632,747 S *	2/2011	Jeffres	D21/742
D680,181 S *	4/2013	Roland	D21/759
D681,141 S *	4/2013	Graves	D21/742
D759,171 S *	6/2016	Rollinson	D21/743
D773,572 S *	12/2016	Rollinson	D21/743
D895,043 S *	9/2020	Atkinson	D21/759
D905,184 S *	12/2020	Rollinson	D21/744
D909,518 S *	2/2021	Rollinson	D21/759
D912,747 S *	3/2021	Iwankow	D21/744

* cited by examiner

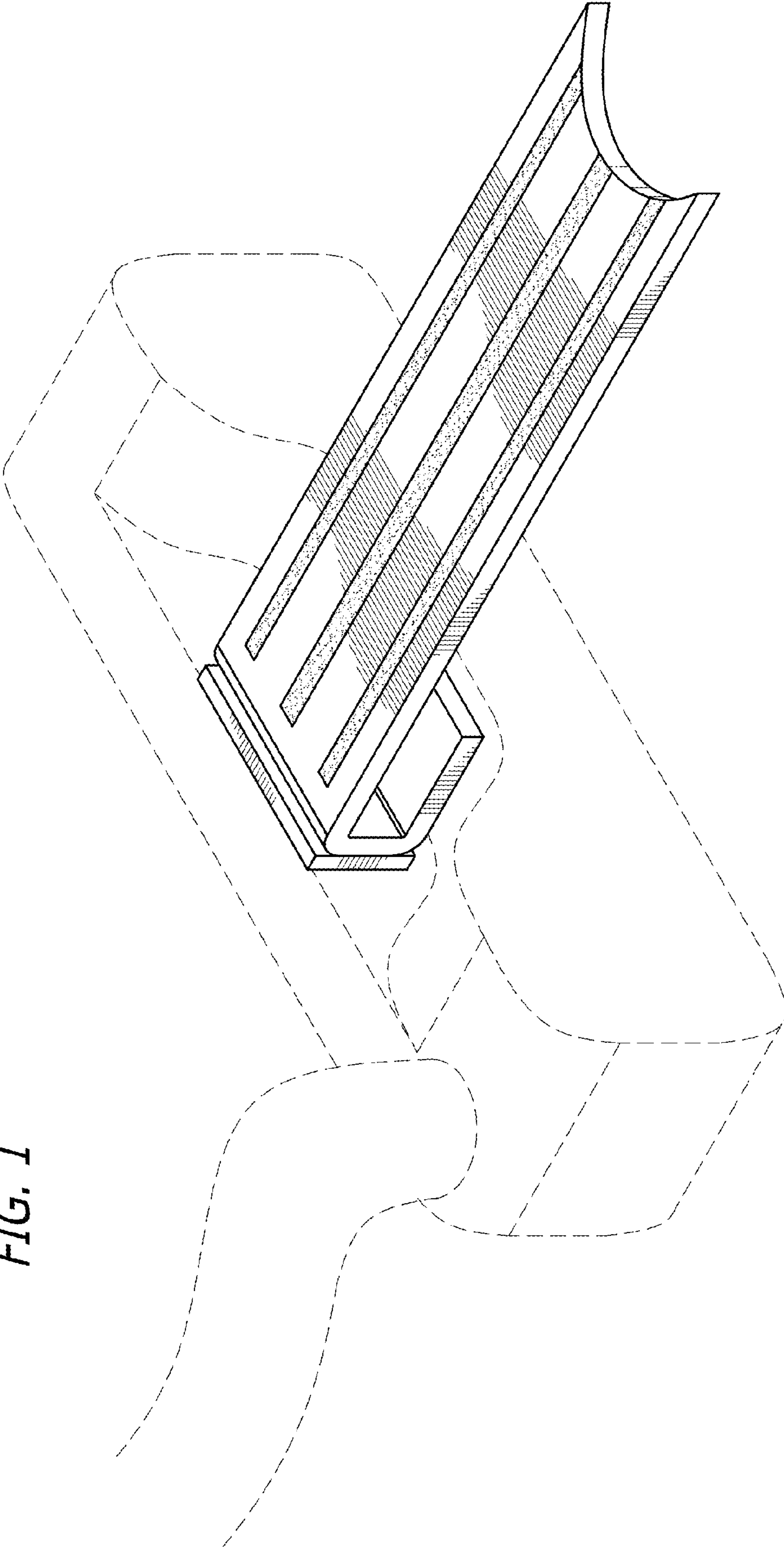


FIG. 1

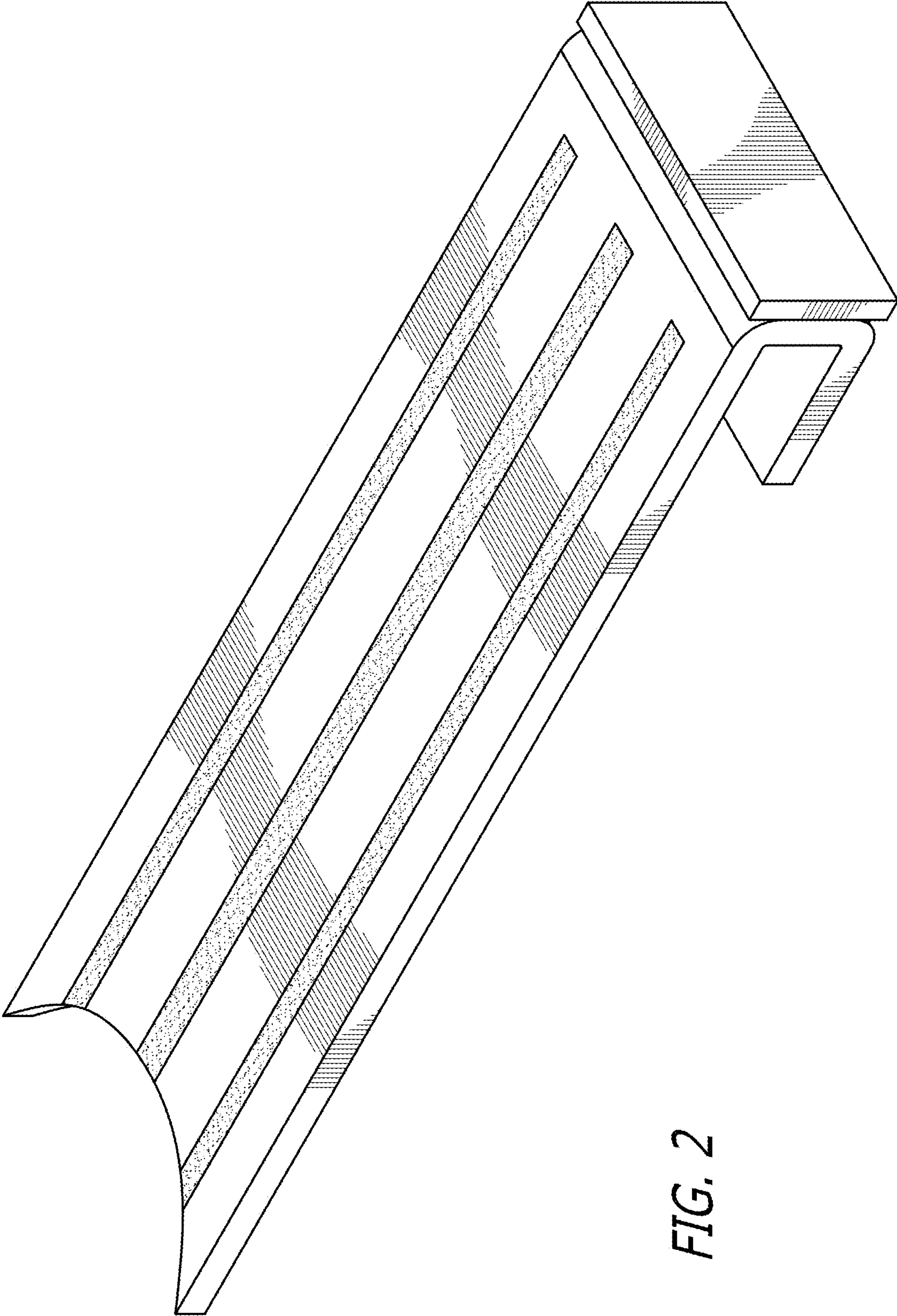


FIG. 2

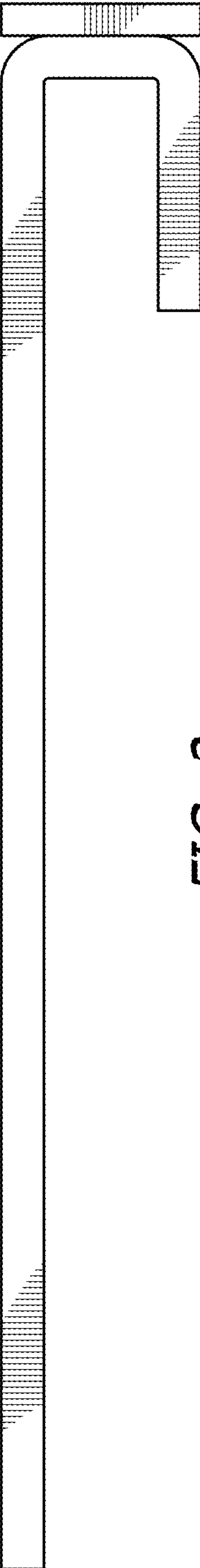


FIG. 3

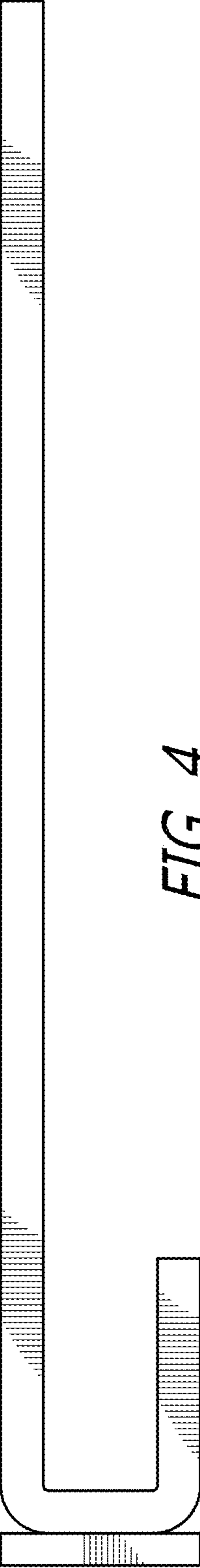


FIG. 4

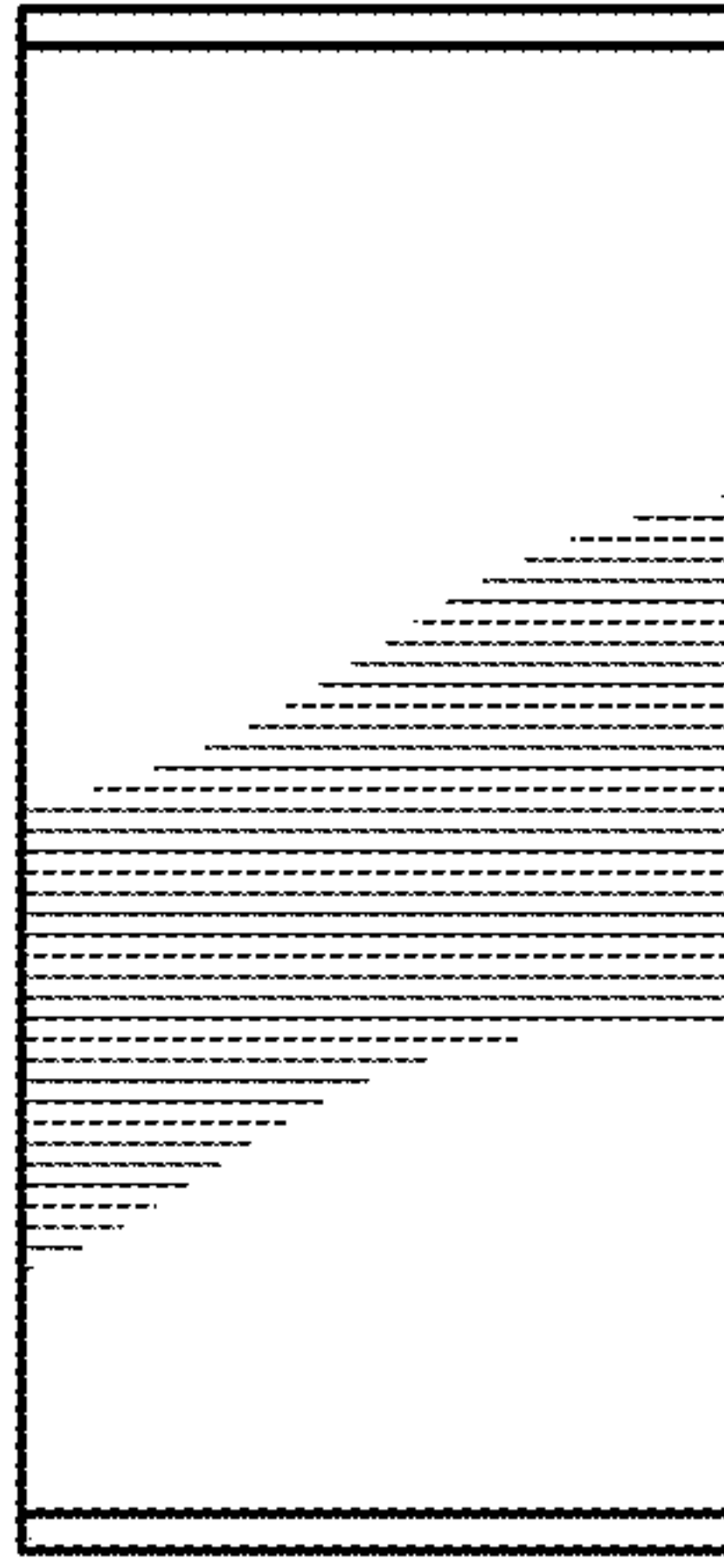


FIG. 6

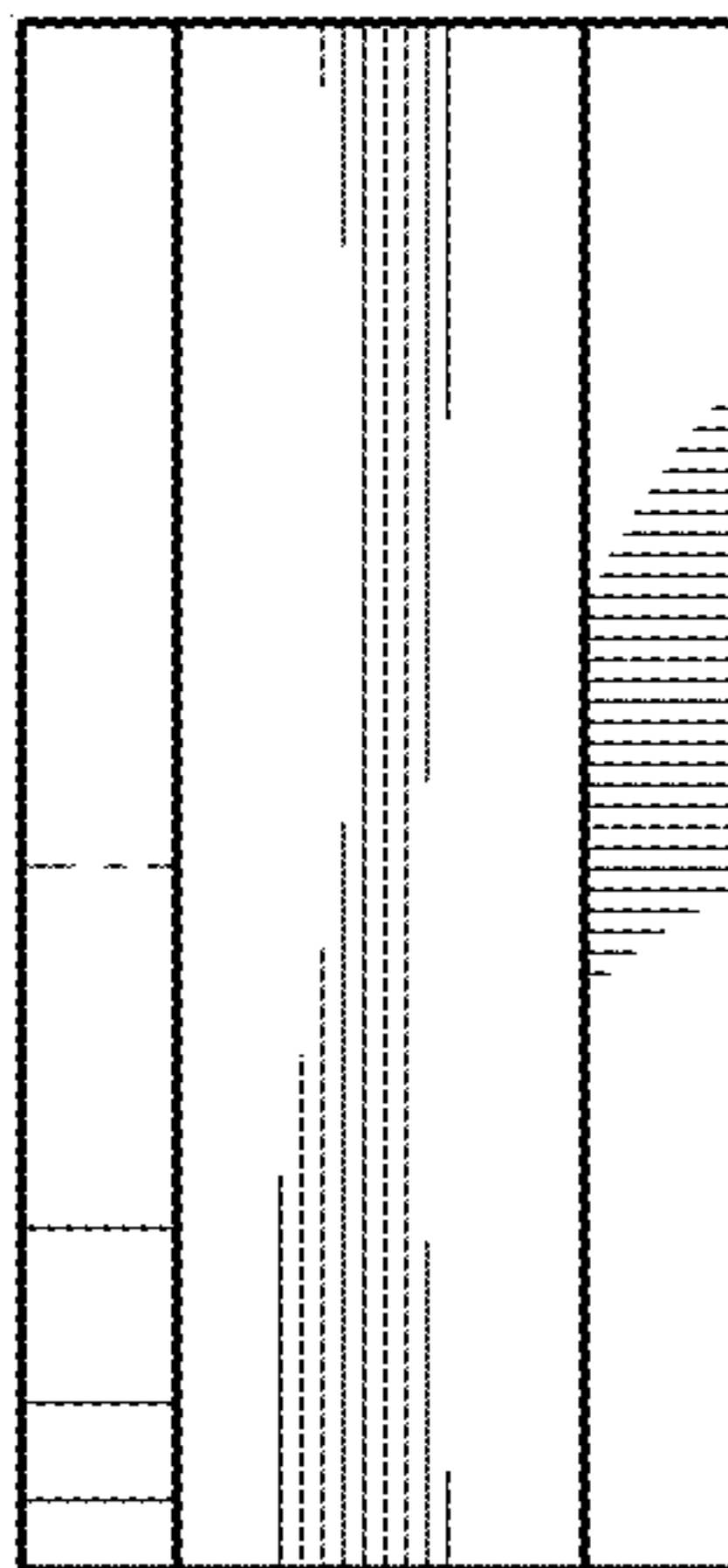


FIG. 5

FIG. 7

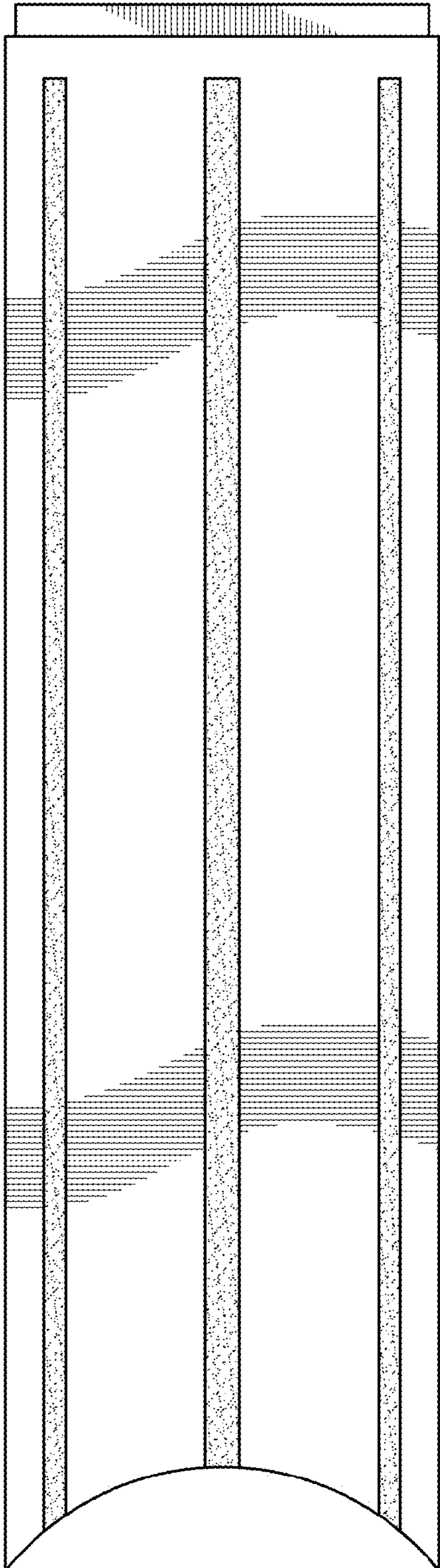


FIG. 8

