



US00D931389S

(12) **United States Design Patent** (10) **Patent No.:** **US D931,389 S**  
**Dunahay et al.** (45) **Date of Patent:** **\*\* Sep. 21, 2021**

(54) **J-CUP**  
(71) Applicant: **Coulter Ventures, LLC.**, Columbus, OH (US)  
(72) Inventors: **Nash Dunahay**, Columbus, OH (US); **William Henniger**, Columbus, OH (US)  
(73) Assignee: **Coulter Ventures, LLC.**, Columbus, OH (US)  
(\*\*) Term: **15 Years**

D370,815 S 6/1996 Guida  
D415,223 S 10/1999 Gay  
D428,803 S 8/2000 Foster  
D444,827 S 7/2001 Mobley  
D454,055 S \* 3/2002 Belokin ..... D8/373  
D455,310 S 4/2002 Webber  
D469,294 S 1/2003 Harms et al.  
6,685,601 B1 2/2004 Knapp  
D502,516 S 3/2005 Chen  
D516,900 S \* 3/2006 Hoernig ..... D8/367  
D562,670 S 2/2008 Rogers et al.  
7,338,416 B2 3/2008 Smith  
D587,946 S 3/2009 Spinaio

(Continued)

(21) Appl. No.: **29/741,495**  
(22) Filed: **Jul. 13, 2020**

**Related U.S. Application Data**

(63) Continuation of application No. 29/656,317, filed on Jul. 11, 2018, now Pat. No. Des. 890,273.  
(51) **LOC (13) Cl.** ..... **21-02**  
(52) **U.S. Cl.**  
USPC ..... **D21/694**; D8/367  
(58) **Field of Classification Search**  
USPC ..... D8/354, 355, 367, 372; D21/694  
CPC ..... A63B 21/072; A63B 21/4035; A63B 21/0628; A63B 21/0783; A63B 2225/093; A63B 2225/09; A63B 21/4047; A63B 21/06; A63B 21/08  
See application file for complete search history.

**References Cited**

**U.S. PATENT DOCUMENTS**

D226,258 S \* 2/1973 Rotheiser ..... D8/367  
4,049,126 A 9/1977 Halverson  
D254,881 S 5/1980 Pyskaty  
4,286,782 A 9/1981 Fuhrhop  
D279,640 S 7/1985 Walbeck  
D333,687 S 3/1993 Smith

**OTHER PUBLICATIONS**

Product listing for Monster Lite Sandwich J-Cup Pair from<<https://web.archive.org/web/20170703011632/https://www.roguefitness.com/monster-lite-sandwich-j-cup-pair>>, dated Jul. 3, 2017.

(Continued)

*Primary Examiner* — Lauren R Calve  
(74) *Attorney, Agent, or Firm* — Banner & Witcoff, Ltd.

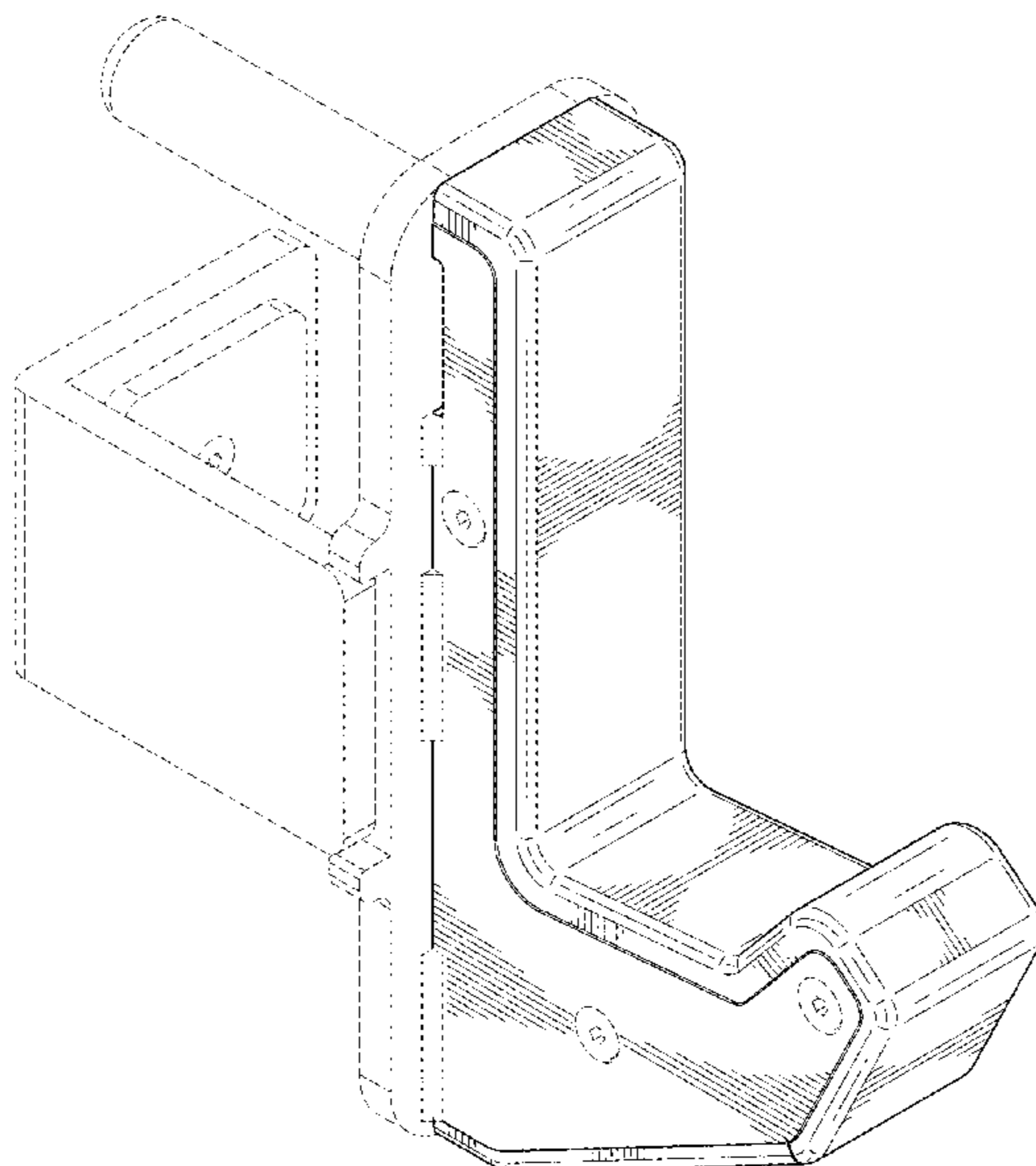
(57) **CLAIM**

The ornamental design for a j-cup, as shown and described.

**DESCRIPTION**

FIG. 1 is a top, front, left perspective view of a j-cup showing our new design;  
FIG. 2 is a top, rear, left perspective view thereof;  
FIG. 3 is a front view thereof;  
FIG. 4 is a rear view thereof;  
FIG. 5 is a left side view thereof;  
FIG. 6 is a right side view thereof;  
FIG. 7 is a top view thereof; and,  
FIG. 8 is a bottom view thereof.  
The broken lines depicting the remainder of the j-cup show features that form no part of the claimed design.

**1 Claim, 8 Drawing Sheets**



(56)

References Cited

U.S. PATENT DOCUMENTS

7,699,756 B2 4/2010 Piane, Jr.  
 7,815,555 B2 10/2010 Webber et al.  
 D629,472 S 12/2010 Rhodes  
 8,337,370 B2 12/2012 Rogers et al.  
 D697,388 S \* 1/2014 Pan ..... D8/367  
 D725,406 S 3/2015 Olszewski  
 9,289,638 B2 3/2016 Towley, III et al.  
 D761,638 S \* 7/2016 Johnson ..... D8/367  
 9,517,382 B2 12/2016 Payne  
 D786,580 S 5/2017 Chesterton  
 D818,547 S 5/2018 Meredith et al.  
 10,058,728 B2 8/2018 Kelly  
 10,086,226 B2 10/2018 Nelson  
 D833,170 S 11/2018 Ford  
 D836,172 S 12/2018 Kuka  
 D852,291 S 6/2019 Meredith et al.  
 D853,506 S 7/2019 Arceta  
 10,391,377 B1 8/2019 Sorin  
 D860,677 S 9/2019 Chesterton  
 D861,806 S 10/2019 Arceta  
 D878,095 S 3/2020 Dunahay  
 D882,286 S 4/2020 Zoretic  
 D882,288 S 4/2020 Liu  
 D884,095 S 5/2020 Dunahay  
 D884,096 S 5/2020 Dunahay  
 10,646,740 B2 \* 5/2020 Lee ..... A63B 21/156  
 D890,273 S \* 7/2020 Dunahay ..... D21/694  
 D906,449 S \* 12/2020 Garcia ..... D21/694  
 10,953,301 B2 \* 3/2021 Brasch ..... A63B 71/0036  
 D915,533 S \* 4/2021 Adams ..... D21/694  
 2006/0035765 A1 2/2006 Smith  
 2007/0155594 A1 7/2007 Rogers et al.  
 2009/0143203 A1 1/2009 Chiang et al.  
 2012/0289384 A1 2/2012 Oost et al.  
 2013/0296143 A1 11/2013 Staten et al.  
 2014/0029604 A1 1/2014 Nicholls et al.  
 2014/0200117 A1 7/2014 Grider  
 2014/0296040 A1 10/2014 Mobley  
 2015/0065316 A1 3/2015 Towley, III et al.  
 2015/0083681 A1 3/2015 Childs  
 2015/0290488 A1 10/2015 Hopperstad et al.  
 2016/0213966 A1 7/2016 Chou

2017/0007877 A1 1/2017 Sebti et al.  
 2017/0246496 A1 8/2017 Nelson et al.  
 2018/0104527 A1 4/2018 Meredith et al.  
 2018/0353795 A1 12/2018 Ostmeyer et al.  
 2019/0247701 A1 8/2019 Sergakis et al.  
 2019/0275363 A1 9/2019 Jones et al.  
 2020/0038704 A1 2/2020 Adams  
 2020/0101342 A1 4/2020 Lawton

OTHER PUBLICATIONS

Photos of Monster Lite Sandwich J-Cup Pair from <<https://web.archive.org/web/20170703011632/https://www.roguefitness.com/monster-lite-sandwich-j-cup-pair>>, dated Jul. 3, 2017.  
 Product listing for Monster Lite J-Cups from <<https://web.archive.org/web/20170616042929/https://www.roguefitness.com/j-3358-monster-lite-j-cups>>, dated Jun. 16, 2017.  
 Product listing for Rogue Infinity J-Cup Set from <<https://web.archive.org/web/20170704075121/https://www.roguefitness.com/extra-infinity-j-cup-set>>, dated Jul. 4, 2017.  
 Product listing for Extra Echo J-Cups Set from <<https://web.archive.org/web/20170702102431/https://www.roguefitness.com/extra-echo-j-cups-set>>, dated Jul. 2, 2017.  
 Product listing for Rogue Adjustable Monolift—Monster from <<https://web.archive.org/web/20170619160411/https://www.roguefitness.com/rogue-adjustable-monolift-monster>>, dated Jun. 19, 2017.  
 Photos of Rogue Adjustable Monolift—Monster from <<https://web.archive.org/web/20170619160411/https://www.roguefitness.com/rogue-adjustable-monolift-monster>>, dated Jun. 19, 2017.  
 Product listing for Rogue Adjustable Monolift—Monster Lite from <<https://web.archive.org/web/20170706085230/https://www.roguefitness.com/rogue-adjustable-monolift-monster-lite>>, dated Jul. 6, 2017.  
 Monster Matador Hanger by Rogue dated Aug. 31, 2019. Found online [Aug. 31, 2020] <https://www.roguefitness.com/monster-matador-hanger> <<http://www.roguefitness.com/monster-matador-hanger>>.  
 Monster Lite Matador Hanger by Rogue dated May 31, 2019. Found online [Aug. 31, 2020] <https://www.roguefitness.com/monster-lite-matador-hanger> <<http://www.roguefitness.com/monster-lite-matador-hanger>>.

\* cited by examiner



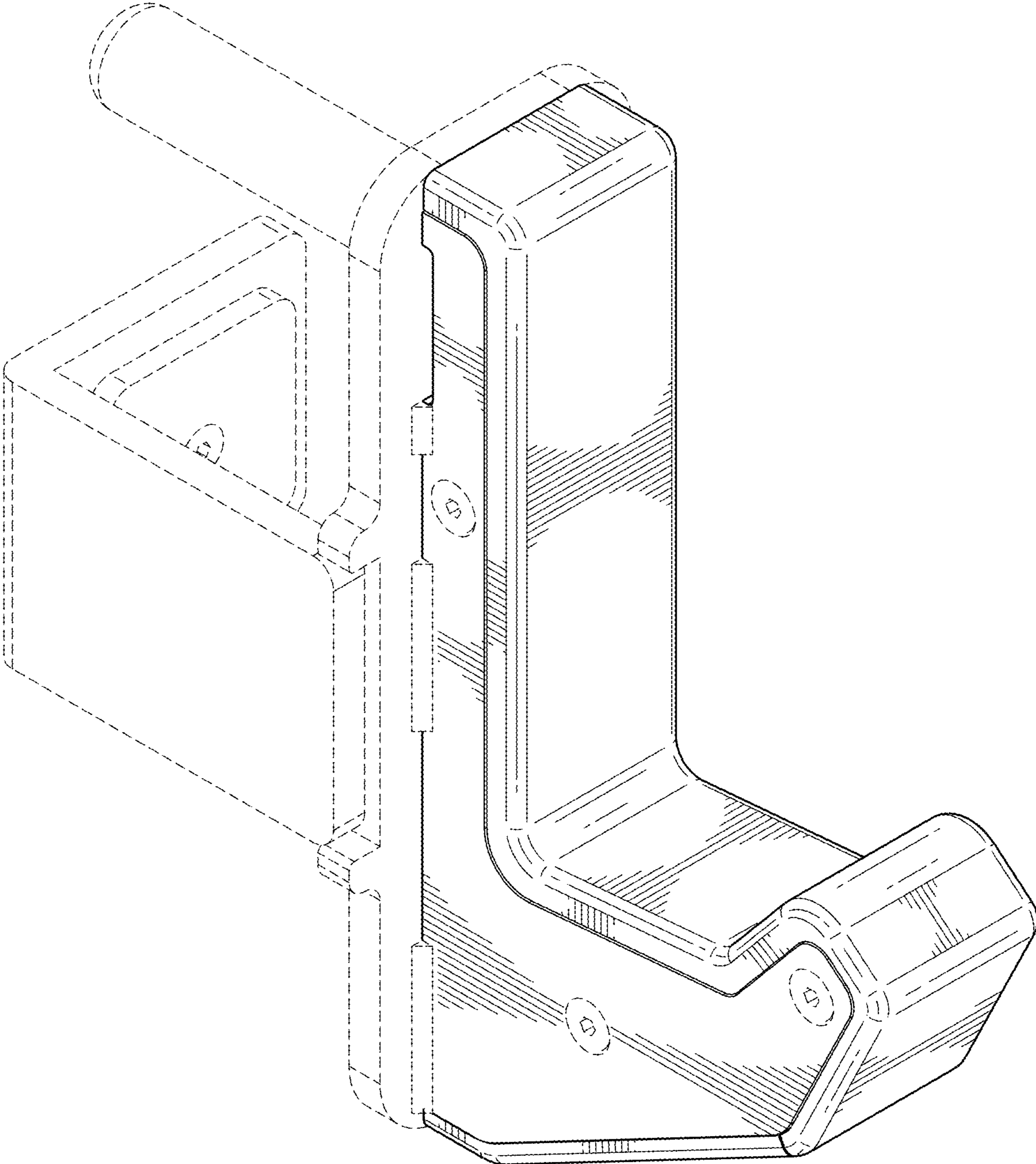


FIG. 1

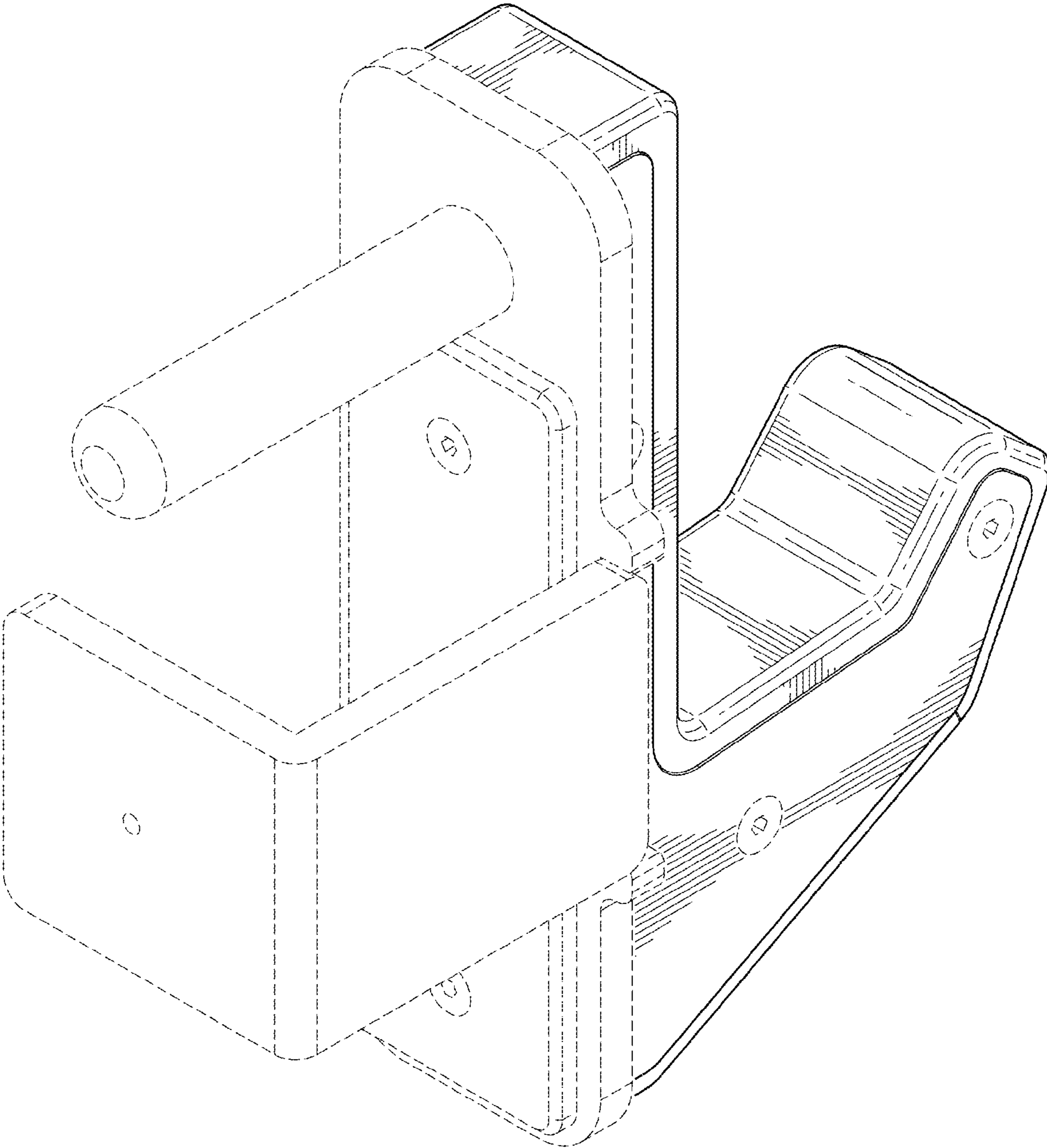


FIG. 2

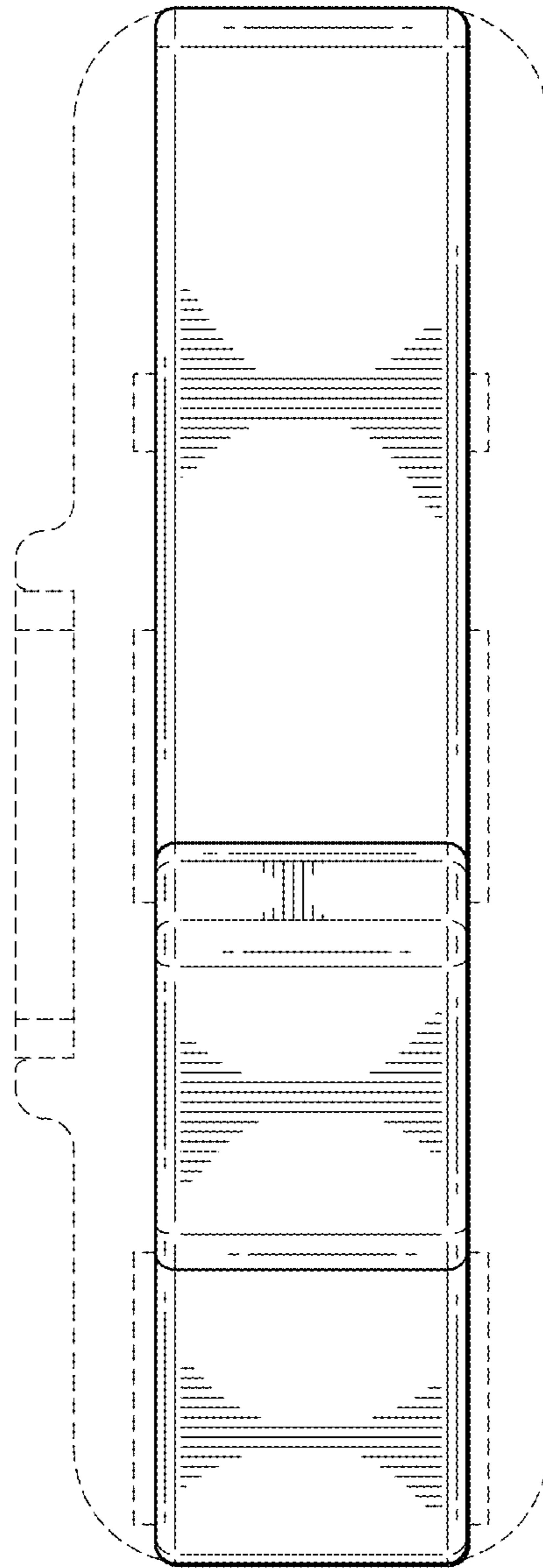


FIG. 3

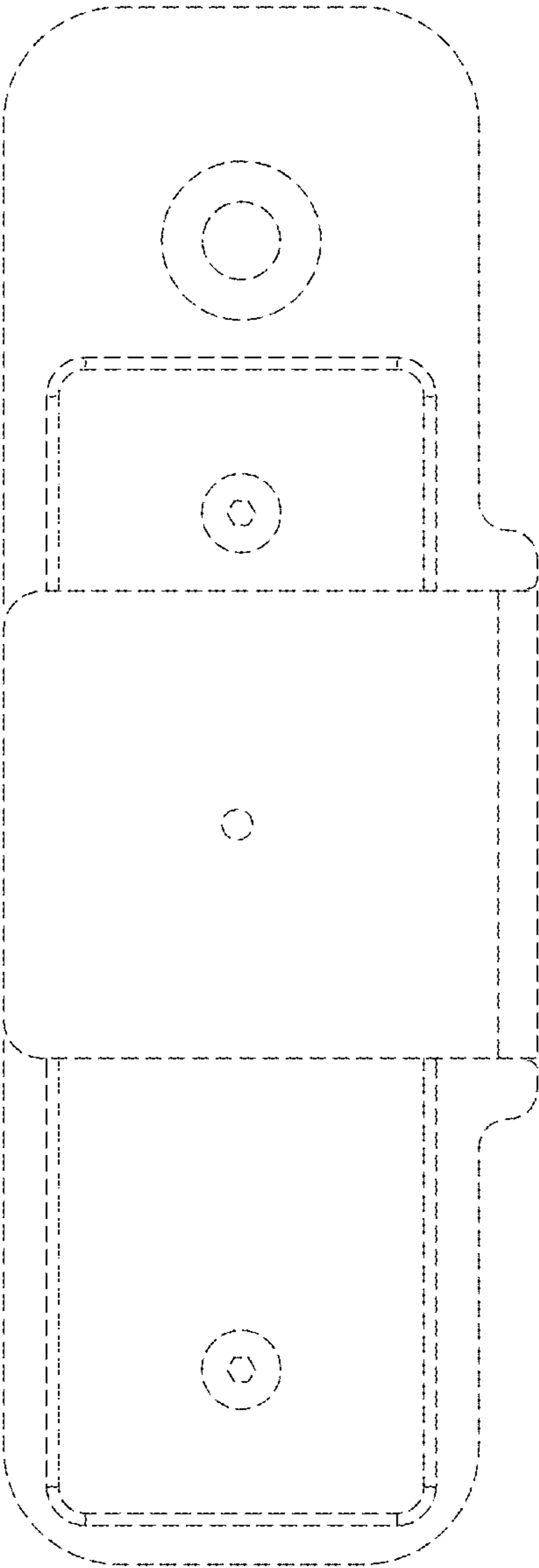


FIG. 4

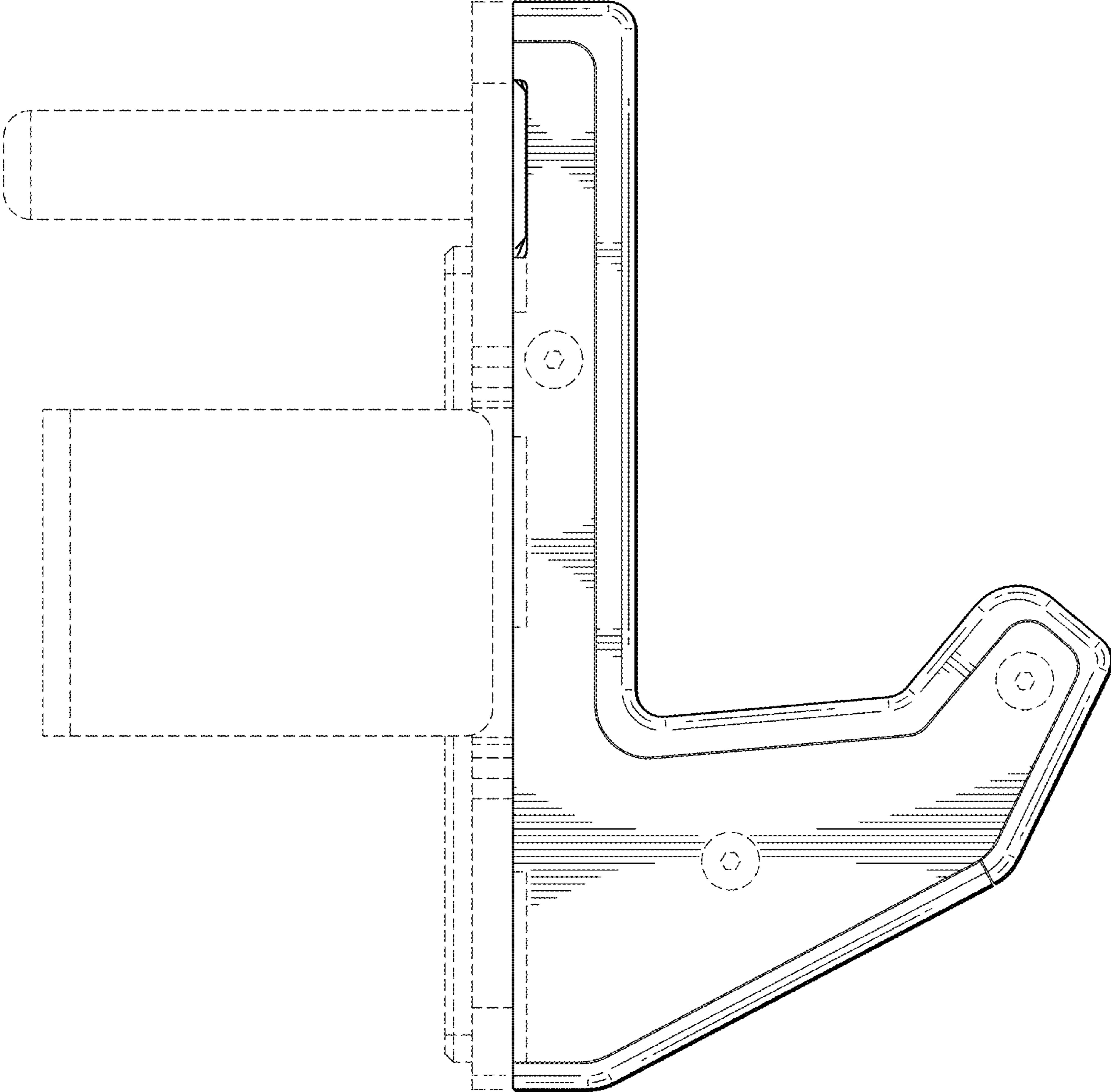


FIG. 5

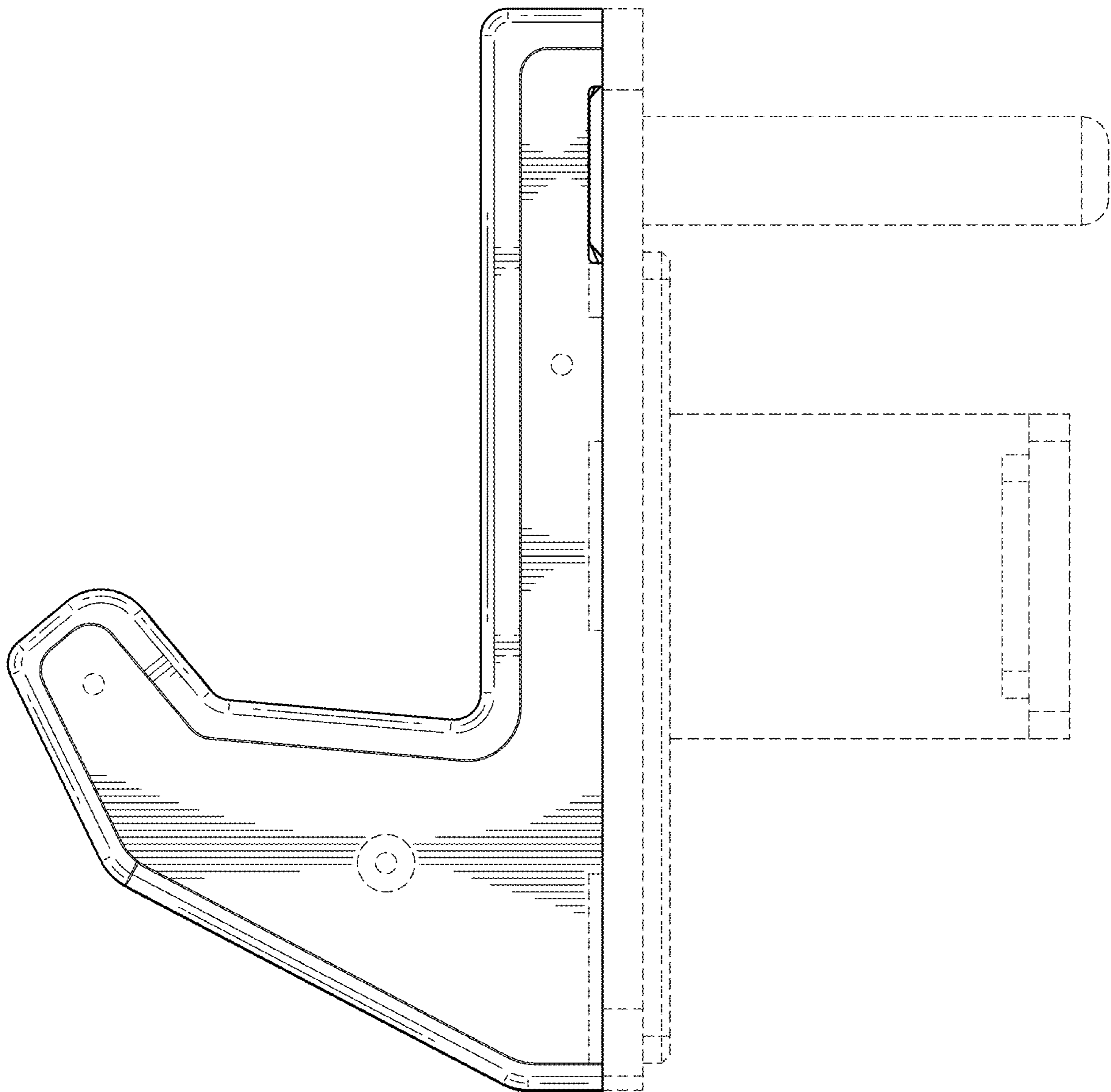


FIG. 6



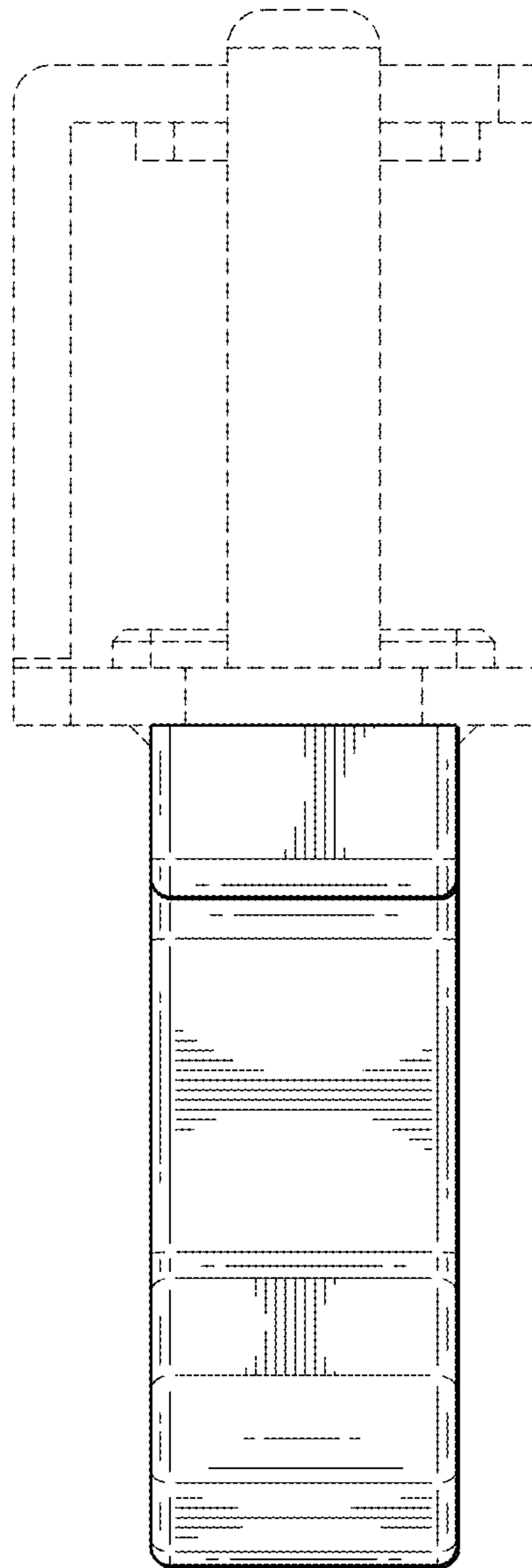


FIG. 7

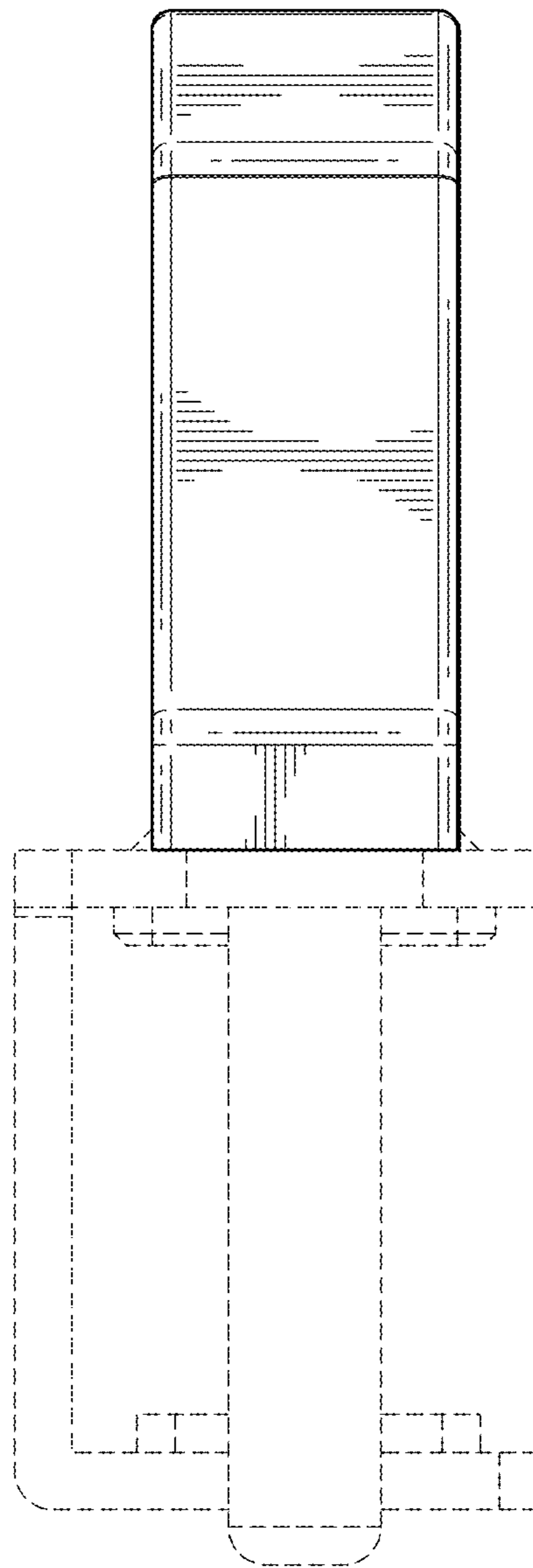


FIG. 8