



US00D931386S

(12) **United States Design Patent** (10) **Patent No.:** **US D931,386 S**
Kim (45) **Date of Patent:** **** Sep. 21, 2021**

(54) **CONTROLLER**

(71) Applicant: **SZ DJI Technology Co., Ltd.**,
Shenzhen (CN)

(72) Inventor: **Min Kim**, Shenzhen (CN)

(73) Assignee: **SZ DJI Technology Co., Ltd.**,
Shenzhen (CN)

(**) Term: **15 Years**

(21) Appl. No.: **29/730,391**

(22) Filed: **Apr. 3, 2020**

(30) **Foreign Application Priority Data**

Mar. 10, 2020 (CN) 202030078295.0

(51) **LOC (13) Cl.** **21-01**

(52) **U.S. Cl.**
USPC **D21/566; D12/174**

(58) **Field of Classification Search**
USPC D12/7, 144, 126, 159, 174, 177, 179,
D12/180, 19, 195, 215, 223, 345, 400,
D12/415, 421, 568; D14/496, 401, 435,
D14/474, 483, 217, 137, 138, 160, 168,
D14/356, 507; D21/324-333, 369, 385,
D21/566

CPC G06F 1/00; G06F 1/633; G06F 1/1613;
G06F 1/16; A63H 29/22; A63H 30/04

See application file for complete search history.

(56) **References Cited**

U.S. PATENT DOCUMENTS

D577,394 S * 9/2008 Wai D21/566
D672,397 S * 12/2012 Wai D21/333
D817,416 S * 5/2018 Pecorari D21/566
D821,506 S * 6/2018 Wang D21/566
D823,949 S * 7/2018 Lu D21/566

D824,459 S * 7/2018 Liang D21/566
D828,463 S * 9/2018 Xiao D21/566
D839,969 S * 2/2019 Kim D21/566
D840,884 S * 2/2019 Lu D12/174
D844,716 S * 4/2019 Gan D21/566
D851,710 S * 6/2019 Zhou D21/566
D868,177 S * 11/2019 Chen D21/566
D870,825 S * 12/2019 Wang D21/566
D898,130 S * 10/2020 Zhou D21/566
D899,529 S * 10/2020 Chen D21/566
2018/0095492 A1 * 4/2018 Matloff A63H 30/04

FOREIGN PATENT DOCUMENTS

CN 304194814 S 7/2017
JP 1602523 S 4/2018

* cited by examiner

Primary Examiner — Susan E Krakower

Assistant Examiner — Jerry Shiuan-Hua Hsu

(74) *Attorney, Agent, or Firm* — Sterne, Kessler,
Goldstein Fox P.L.L.C.

(57) **CLAIM**

The ornamental design for a controller, as shown and described.

DESCRIPTION

FIG. 1 is a top front perspective view of a controller showing the claimed design;

FIG. 2 is a top rear perspective view thereof;

FIG. 3 is a front view thereof;

FIG. 4 is a rear view thereof;

FIG. 5 is a left side view thereof;

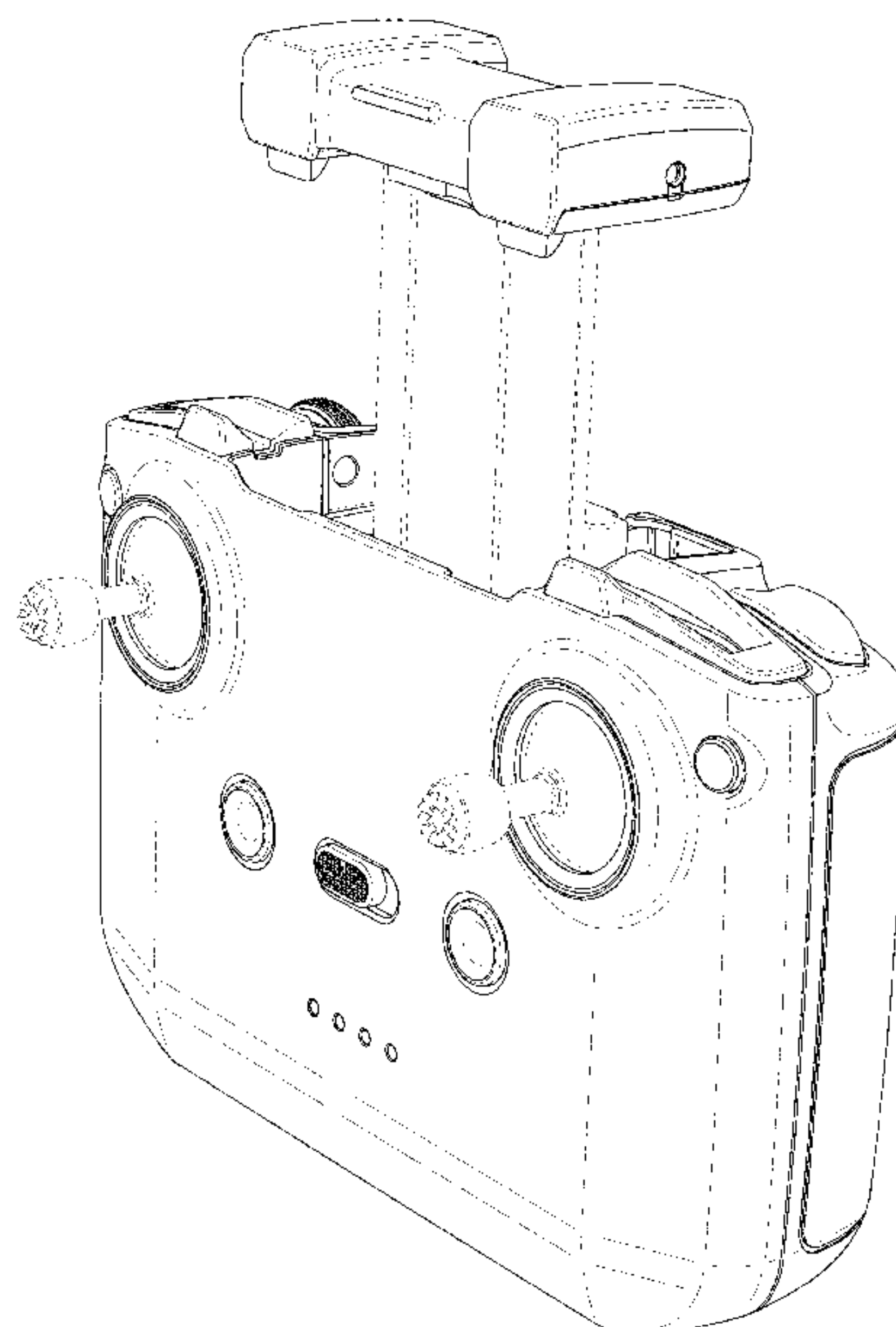
FIG. 6 is a right side view thereof;

FIG. 7 is a top view thereof; and,

FIG. 8 is a bottom view thereof.

The broken lines in the figures show portions of the controller that form no part of the claimed design.

1 Claim, 8 Drawing Sheets



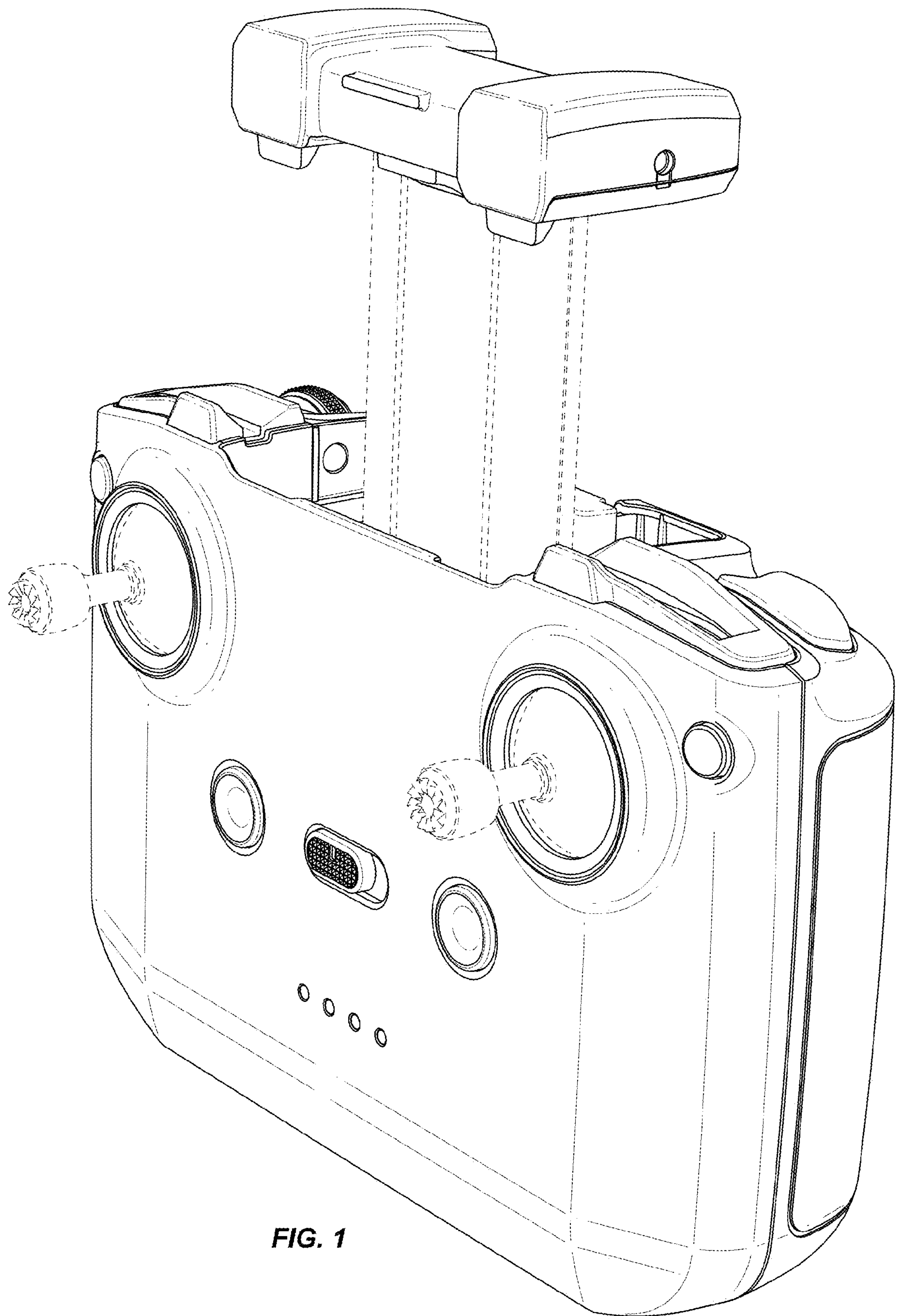


FIG. 1

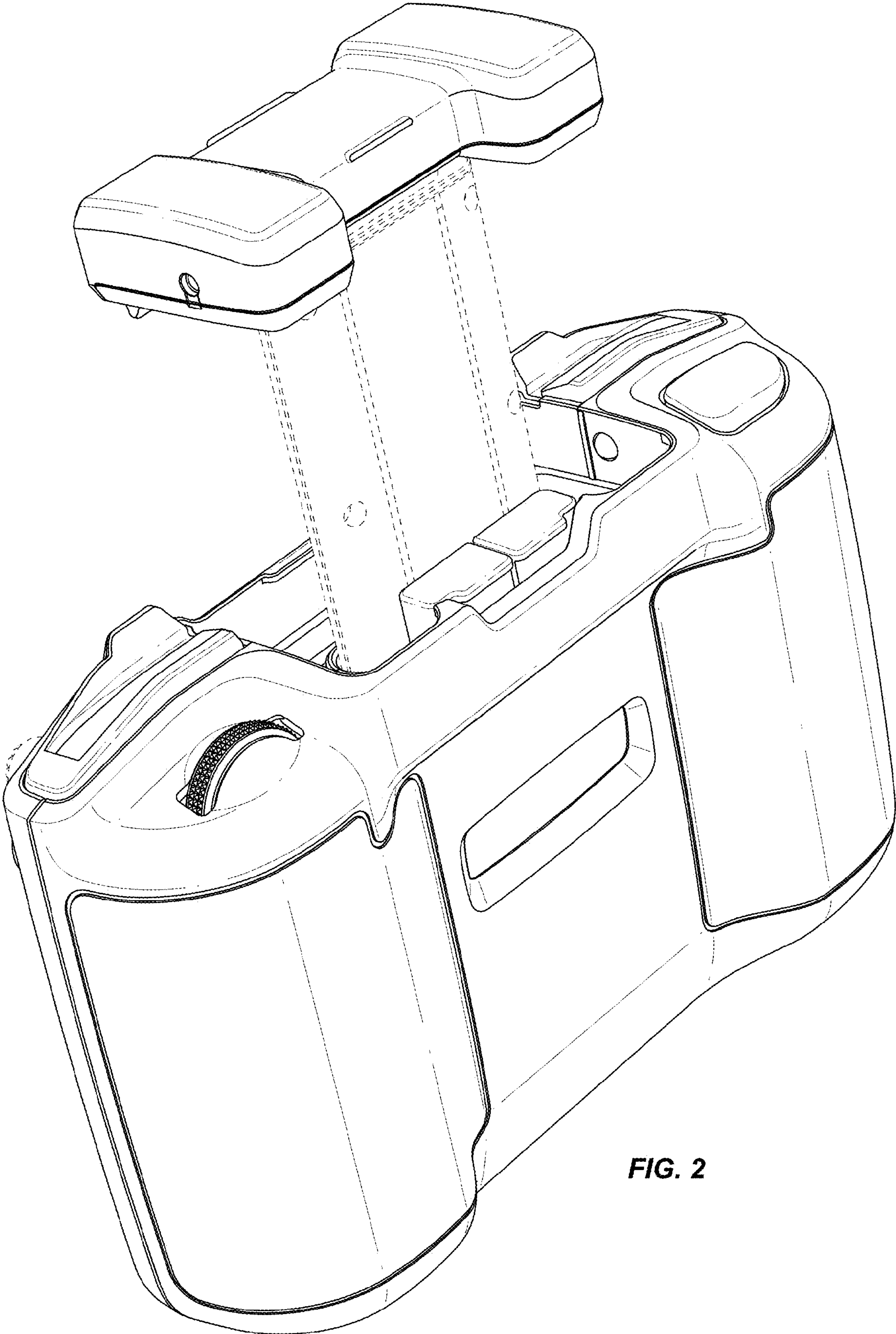


FIG. 2

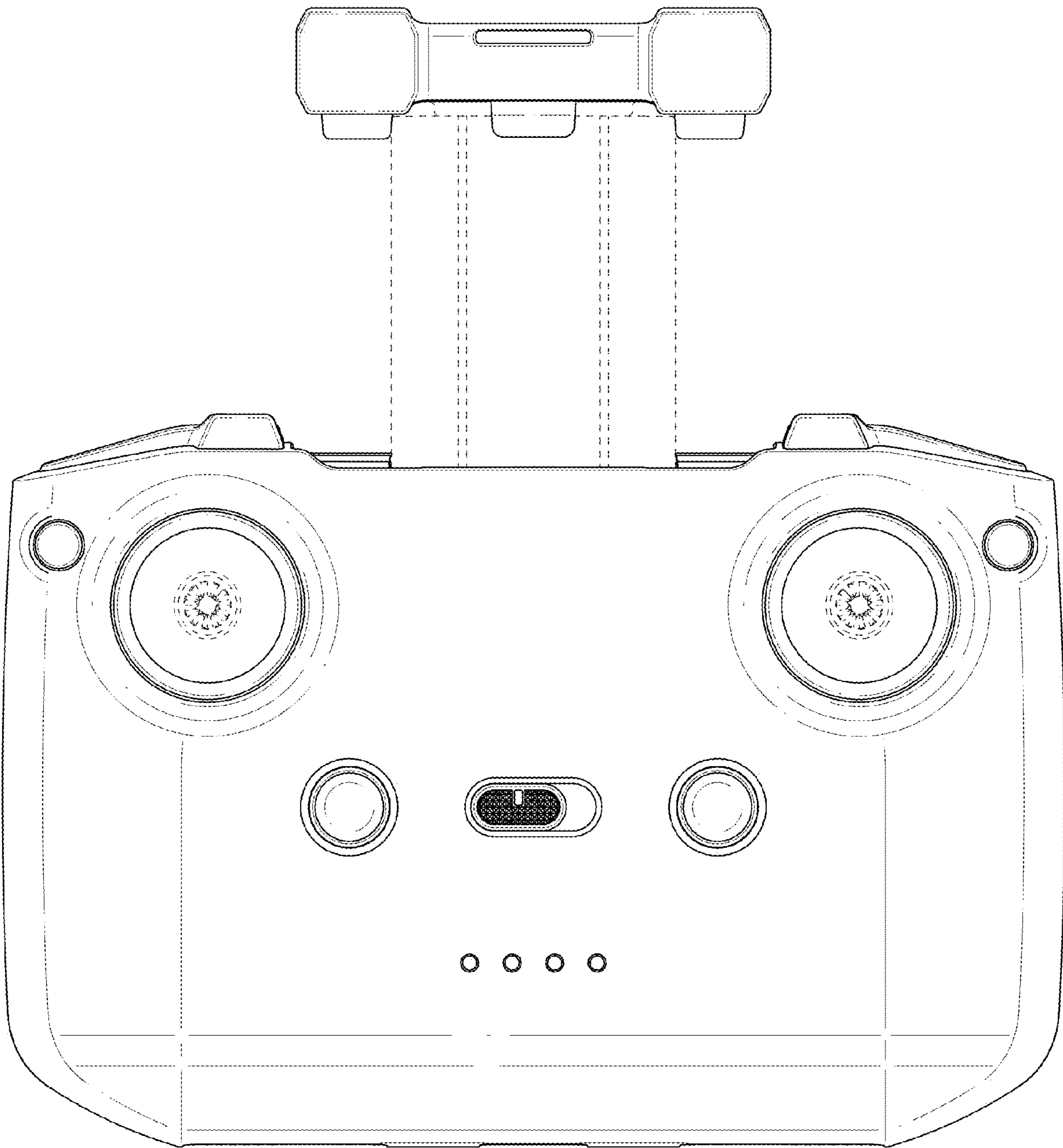


FIG. 3

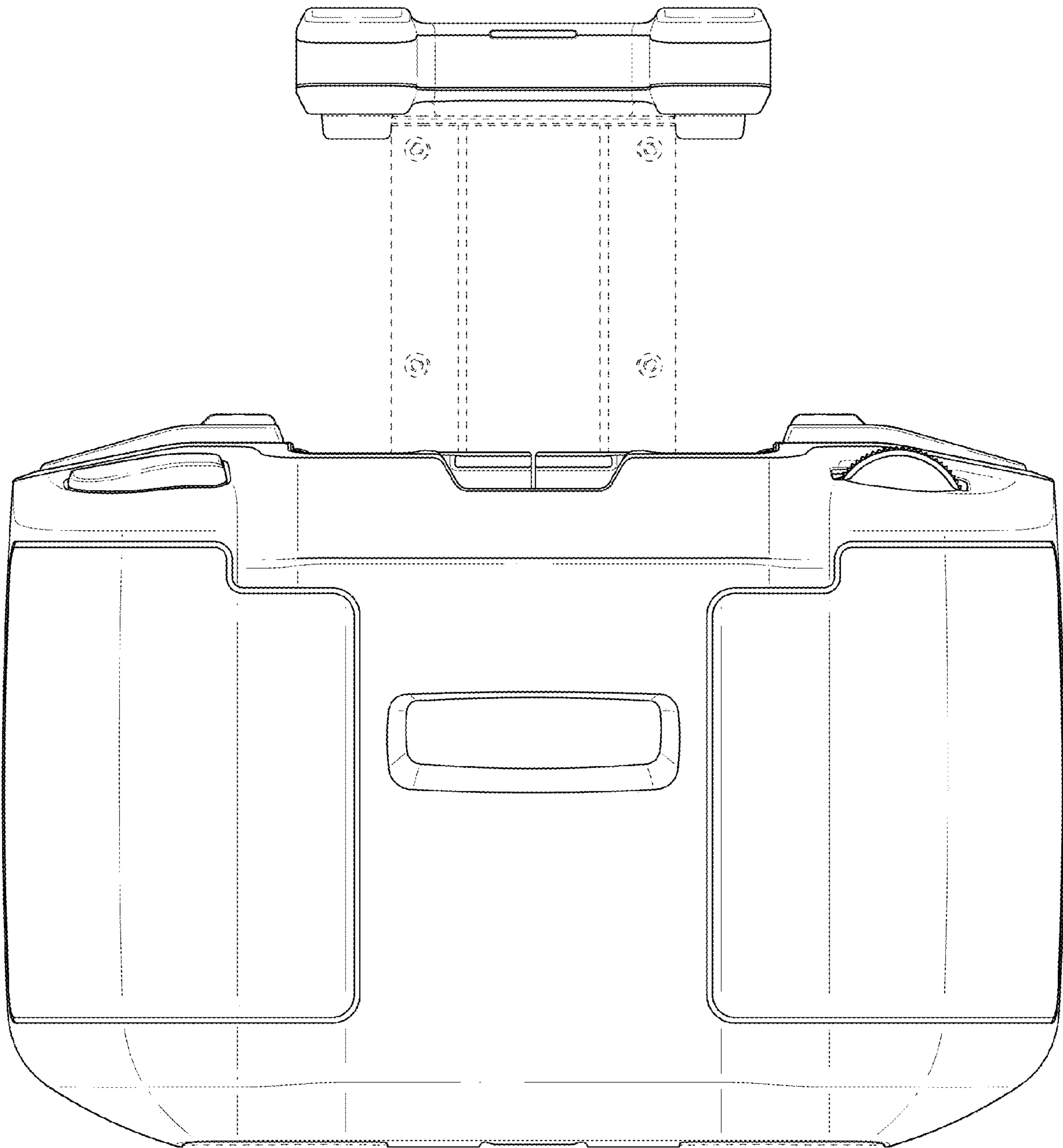


FIG. 4

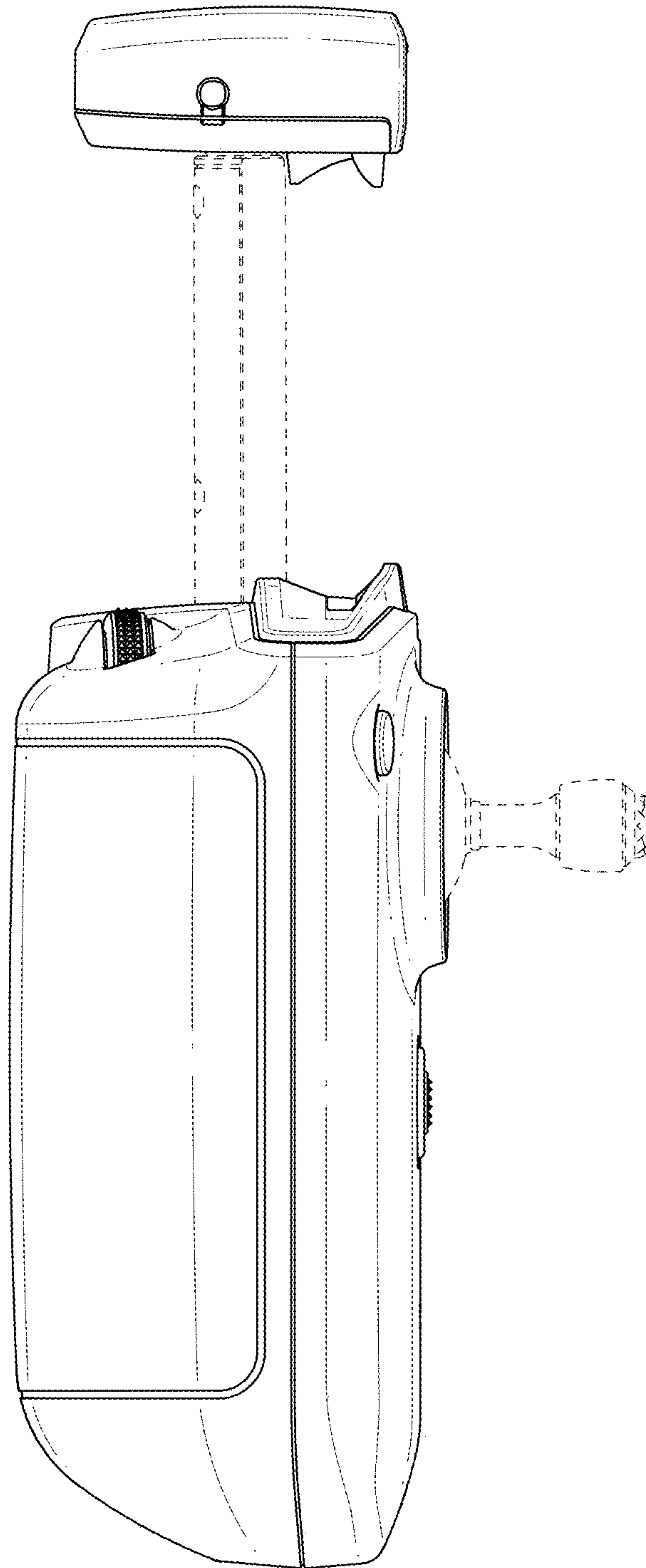


FIG. 5

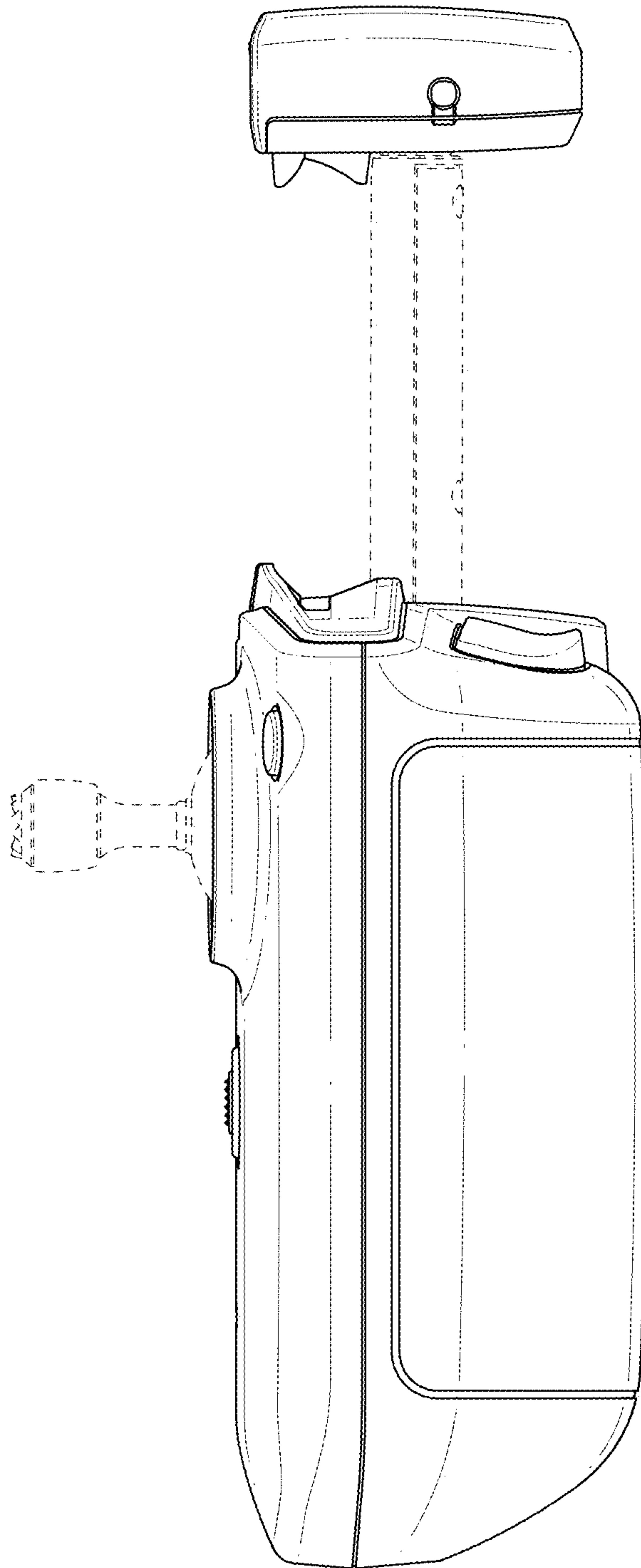


FIG. 6

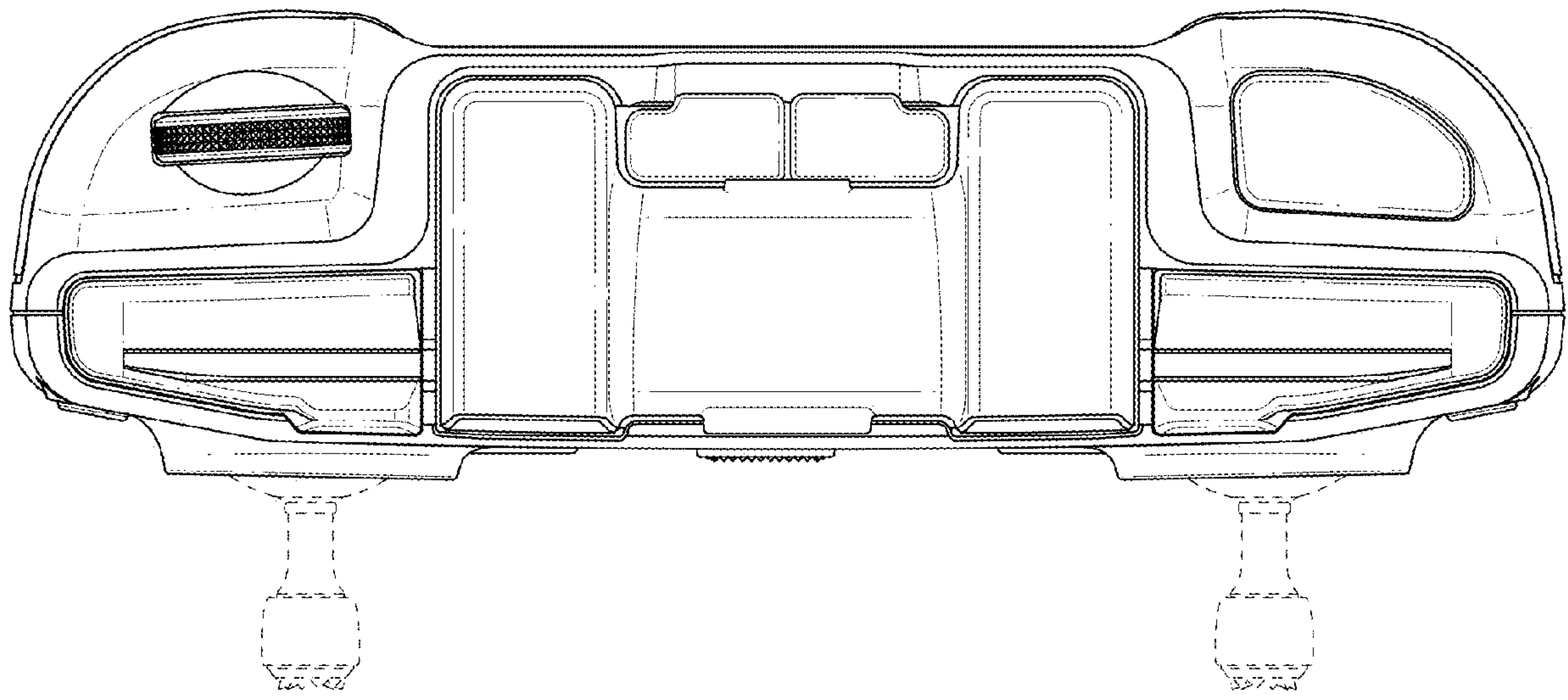


FIG. 7

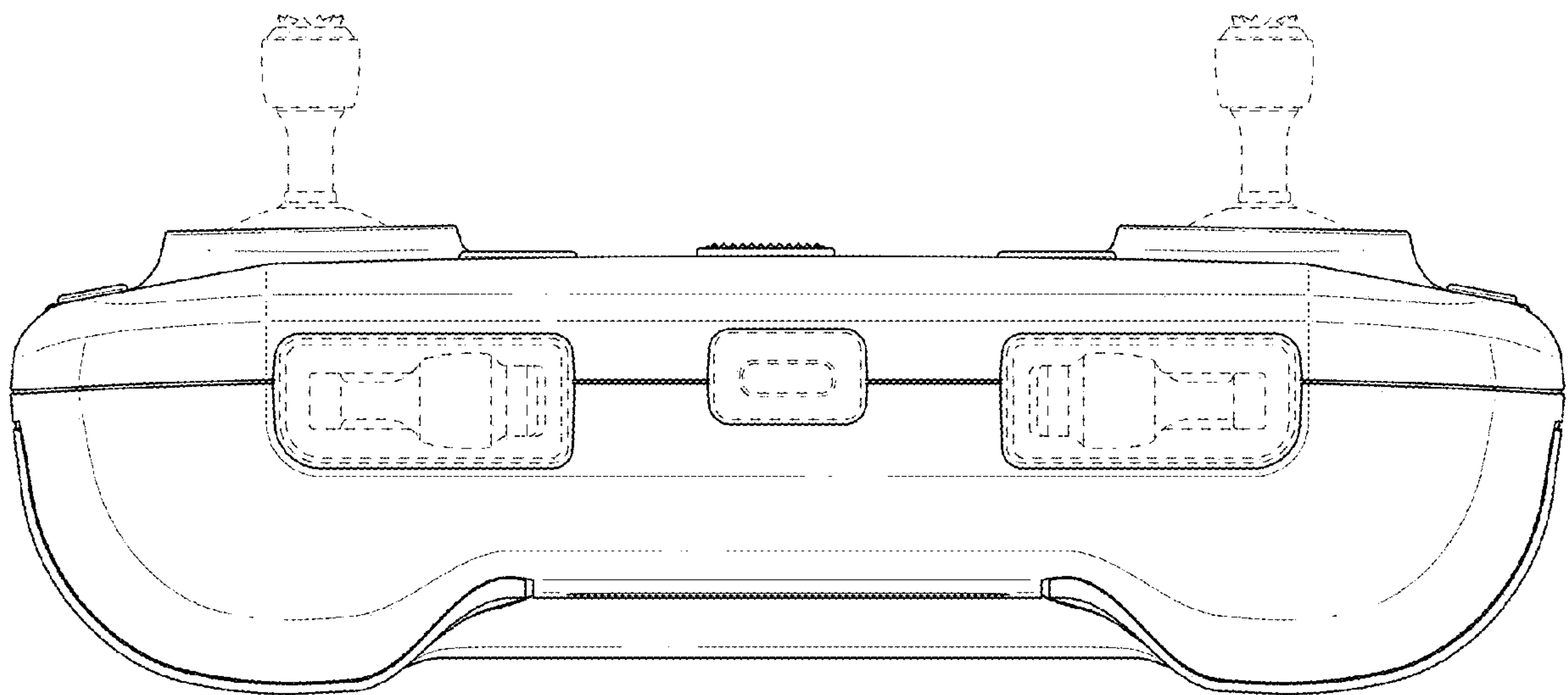


FIG. 8