



US00D931384S

(12) **United States Design Patent**
Chen

(10) **Patent No.:** **US D931,384 S**

(45) **Date of Patent:** **** Sep. 21, 2021**

(54) **TOY CAR**

(71) Applicant: **Huanqun Chen**, Shantou (CN)

(72) Inventor: **Huanqun Chen**, Shantou (CN)

(**) Term: **15 Years**

(21) Appl. No.: **29/720,390**

(22) Filed: **Jan. 13, 2020**

(30) **Foreign Application Priority Data**

Dec. 11, 2019 (CN) 201930689781.3

(51) **LOC (13) Cl.** **21-01**

(52) **U.S. Cl.**
USPC **D21/548**

(58) **Field of Classification Search**
USPC D21/533, 550, 424, 434, 433, 548, 549,
D21/552, 554, 580; D12/92, 86, 90, 91,
D12/88, 164

See application file for complete search history.

(56) **References Cited**

U.S. PATENT DOCUMENTS

D275,872 S *	10/1984	Peter	D21/559
D426,861 S *	6/2000	Jones, Jr.	D21/433
D428,076 S *	7/2000	Wise	D21/548
D538,861 S *	3/2007	Takahashi	D21/550
D837,307 S *	1/2019	Jin	D21/548
D871,512 S *	12/2019	Cai	D21/550

D897,452 S *	9/2020	Lin	D21/550
D897,453 S *	9/2020	Zhang	D21/550
D923,721 S *	6/2021	Chen	D21/533
2016/0038846 A1 *	2/2016	Colquhoun	A63H 17/262 446/465
2020/0114275 A1 *	4/2020	Thai	A63H 33/003

* cited by examiner

Primary Examiner — Khawaja Anwar

Assistant Examiner — Julice Seung Eun Oum

(74) *Attorney, Agent, or Firm* — ScienBiziP, P.C.

(57) **CLAIM**

The ornamental design for a toy car, as shown and described.

DESCRIPTION

FIG. 1 is a front elevation view of a toy car, showing my design.

FIG. 2 is a rear elevation view thereof.

FIG. 3 is a left side elevation view thereof.

FIG. 4 is a right side elevation view thereof.

FIG. 5 is a top plan view thereof.

FIG. 6 is a bottom plan view thereof.

FIG. 7 is a top, front, left side perspective view thereof.

FIG. 8 is a top, rear, right side perspective view thereof.

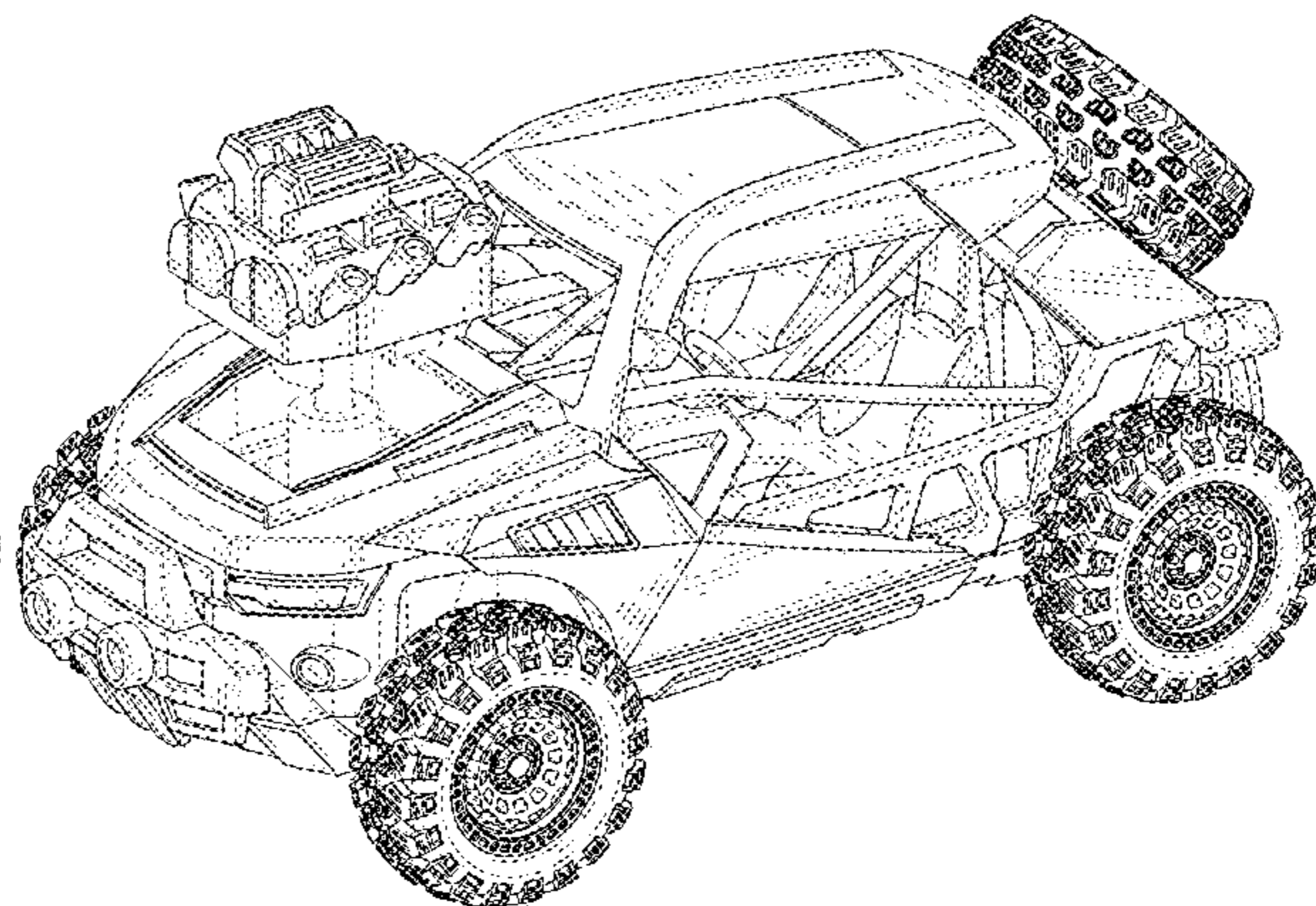
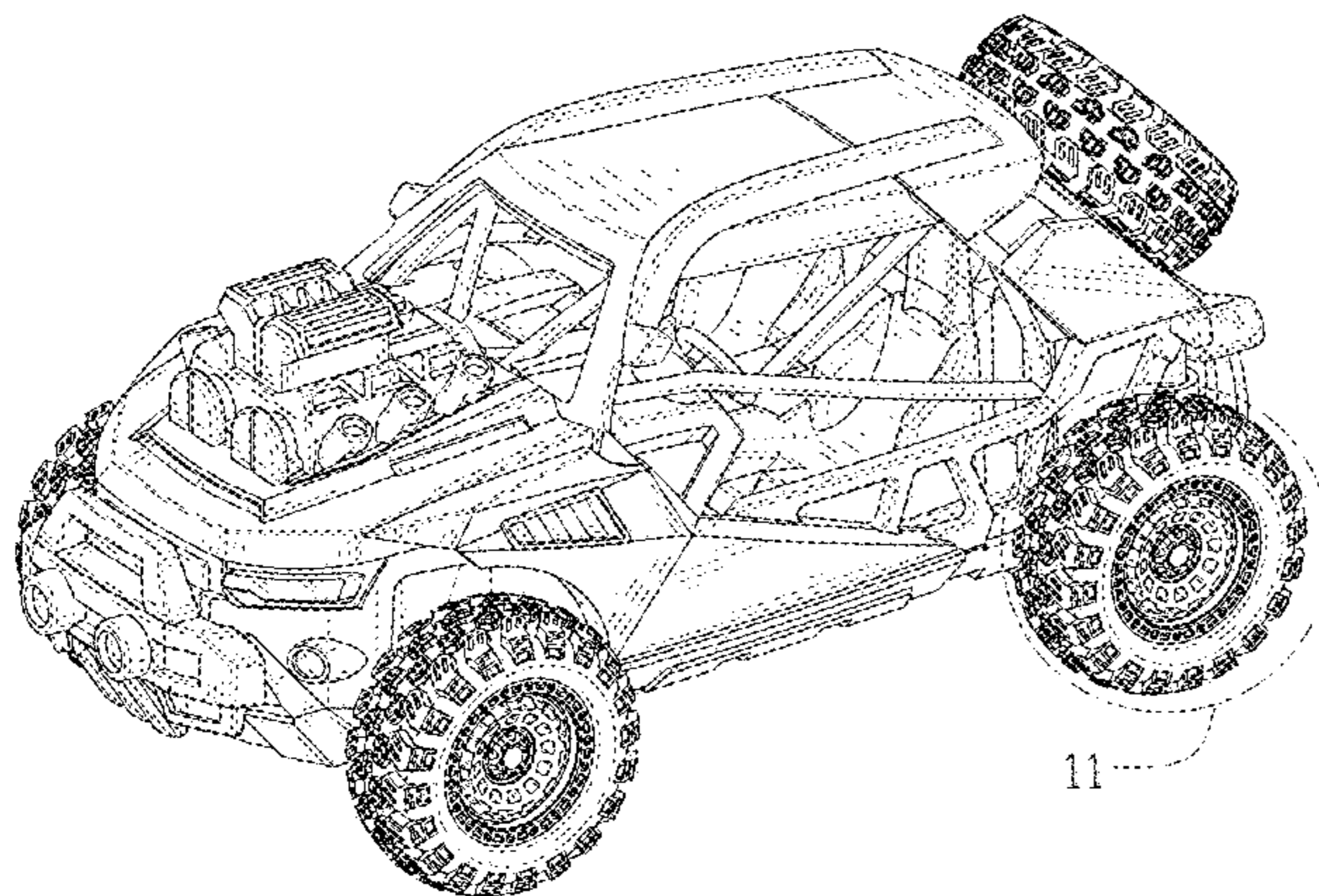
FIG. 9 is a bottom, rear, right side perspective view thereof.

FIG. 10 is a perspective view thereof, shown in a state that a front part of the toy car is opened; and,

FIG. 11 is an enlarged view of an area labeled 11 in FIG. 7.

The details shown in broken lines form no part of the claimed design.

1 Claim, 11 Drawing Sheets



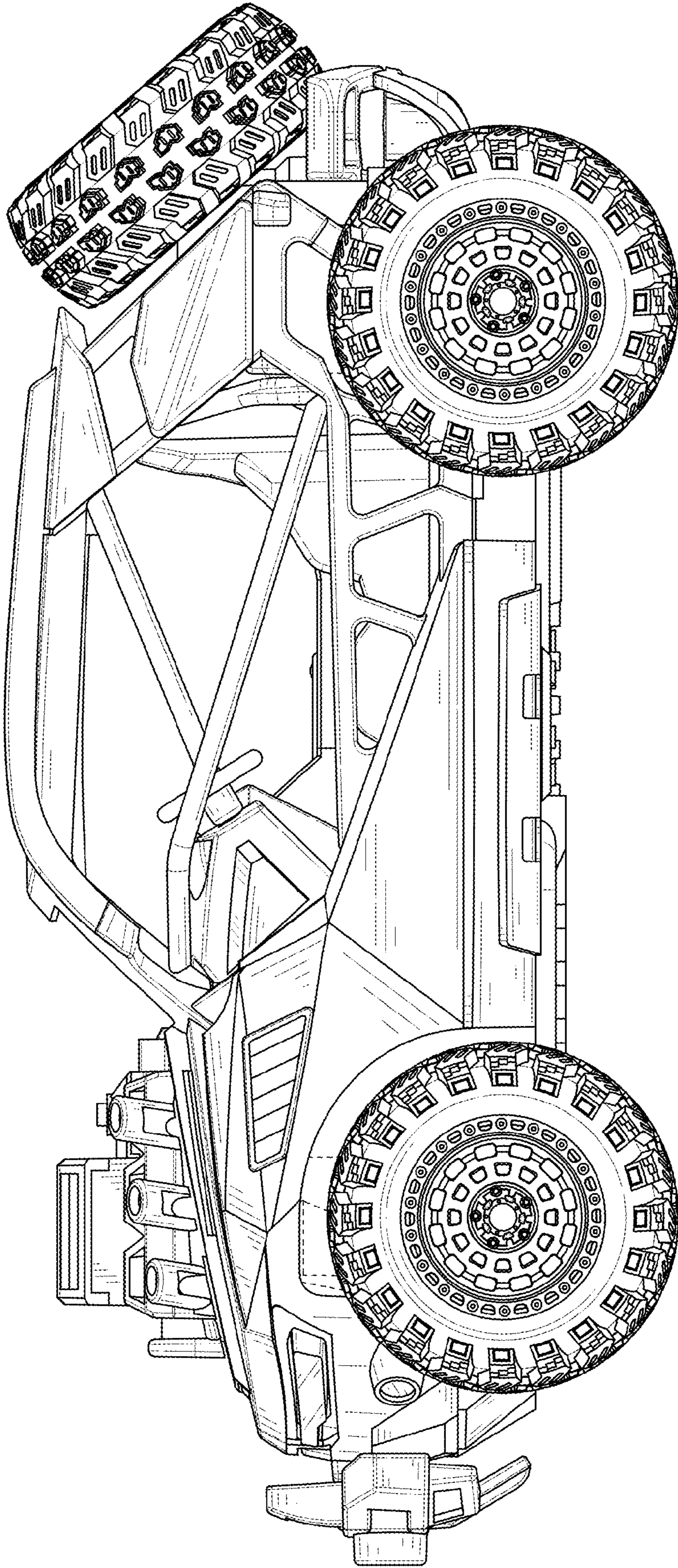


FIG. 1

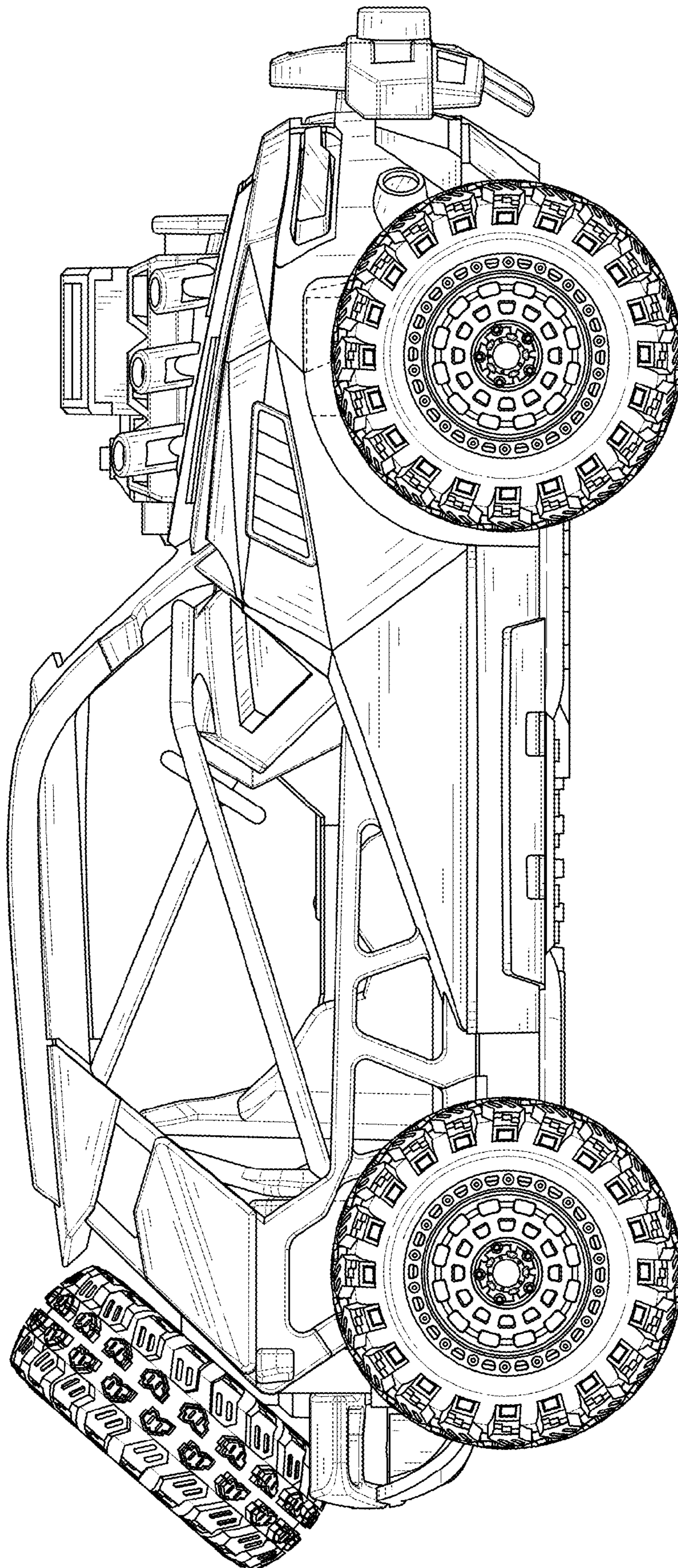


FIG. 2

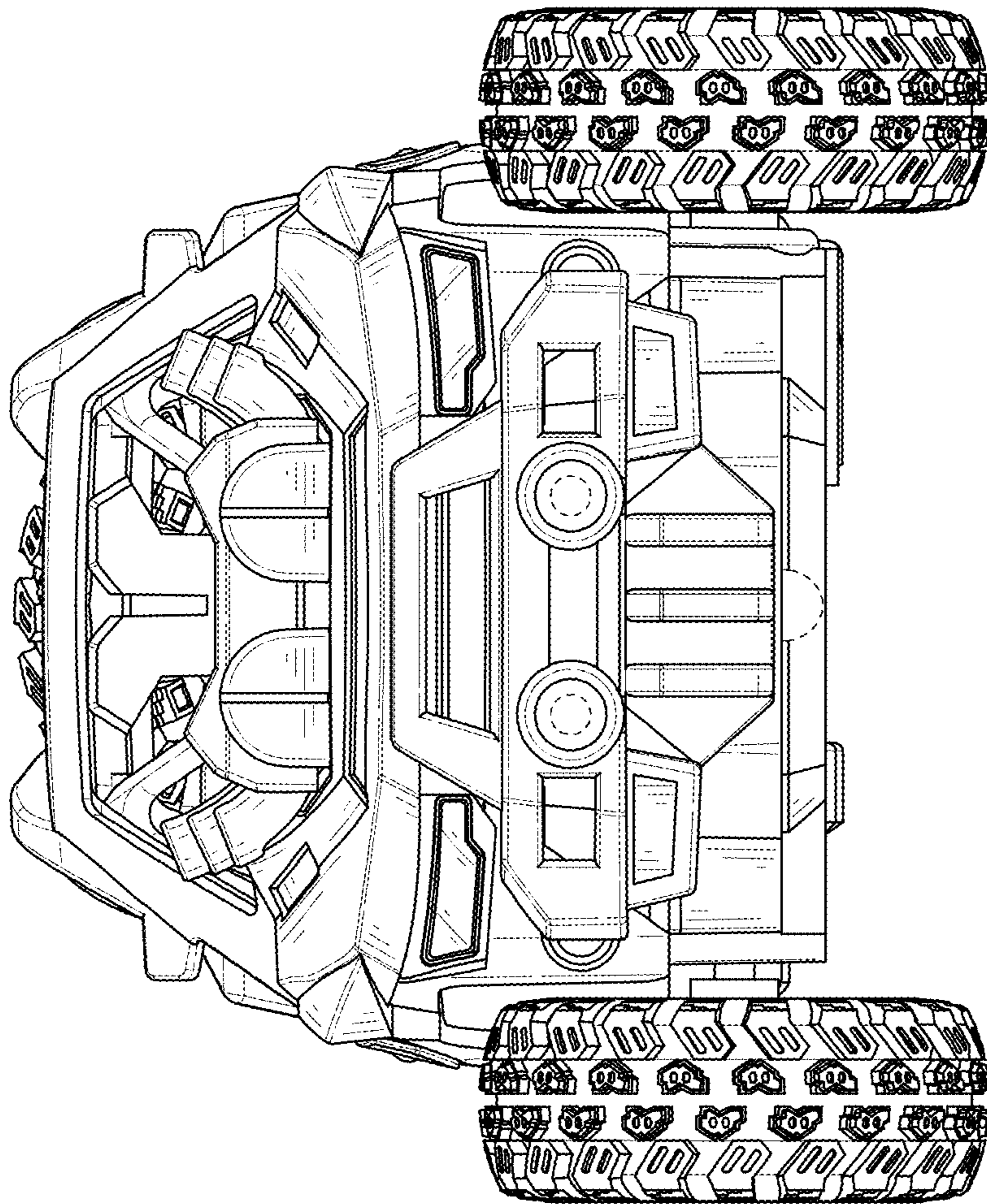


FIG. 3

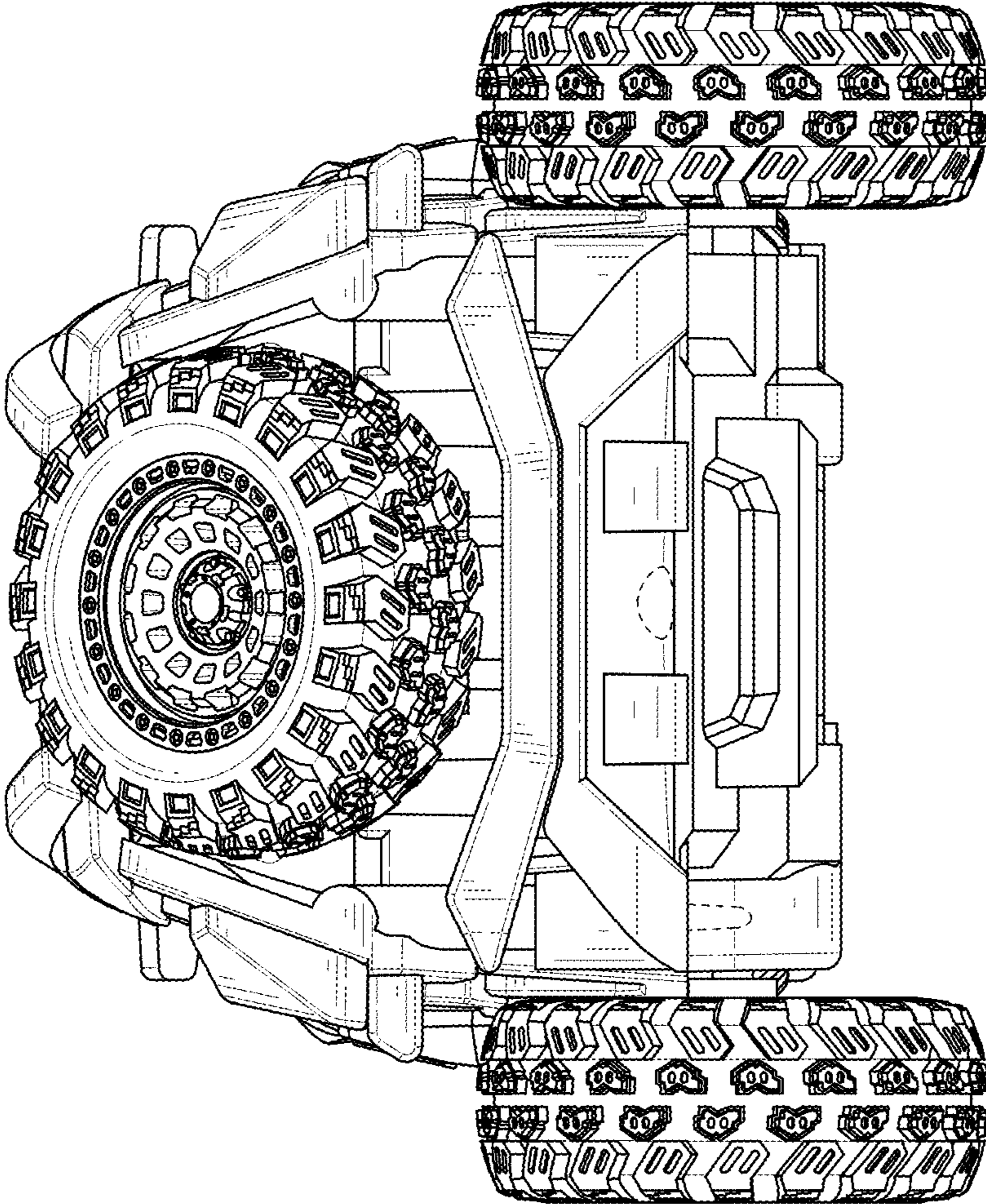


FIG. 4

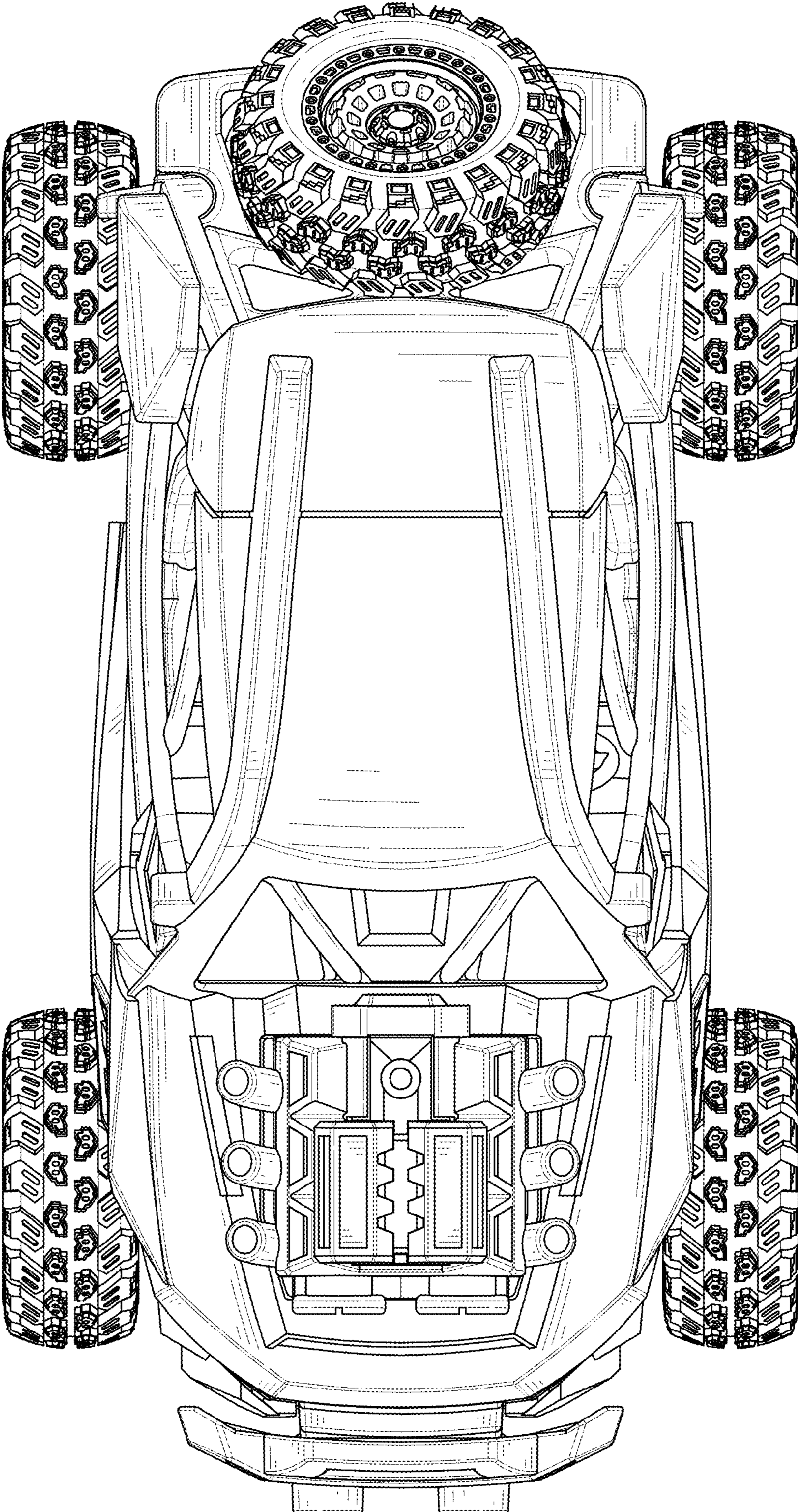


FIG. 5

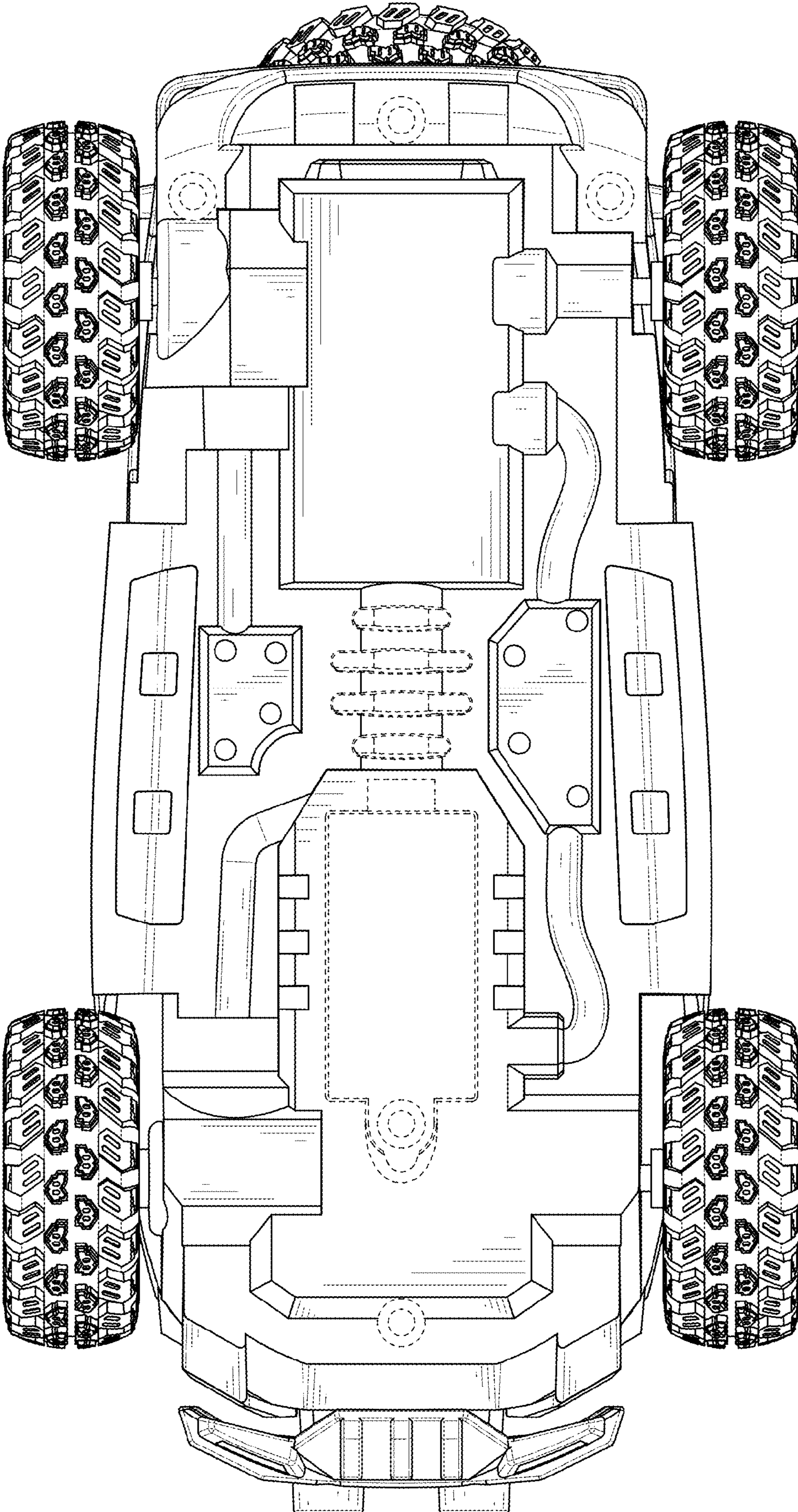


FIG. 6

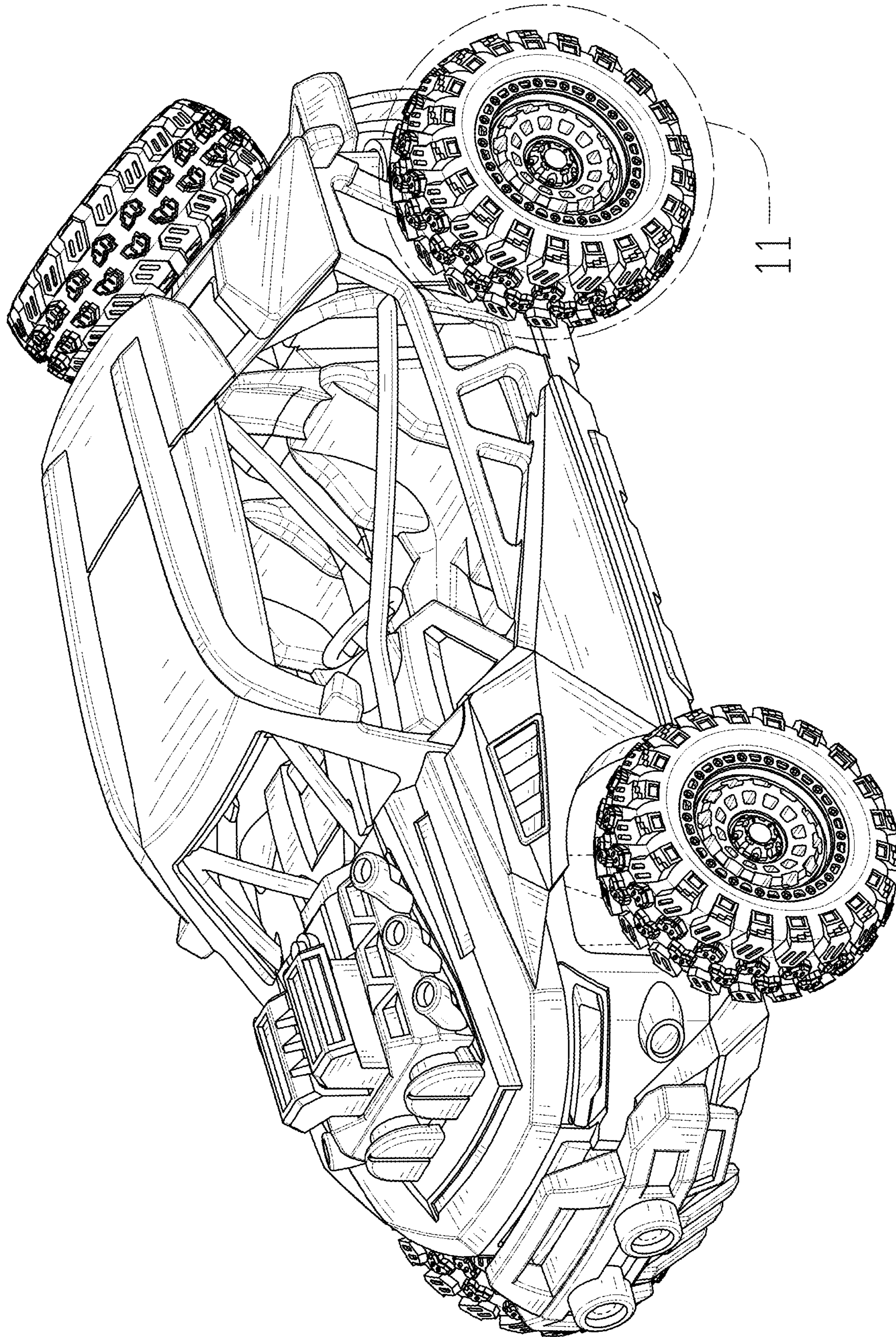


FIG. 7

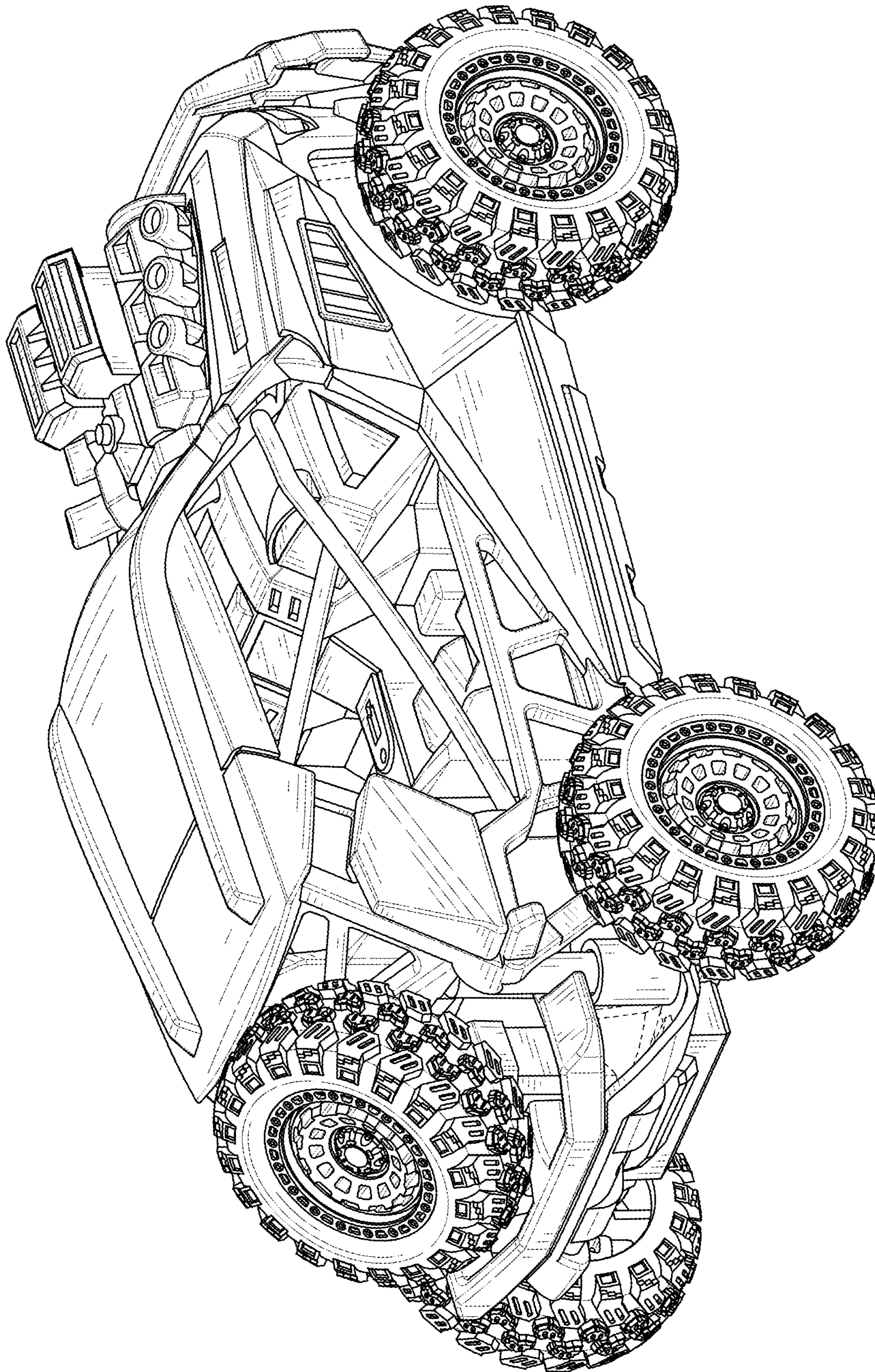


FIG. 8

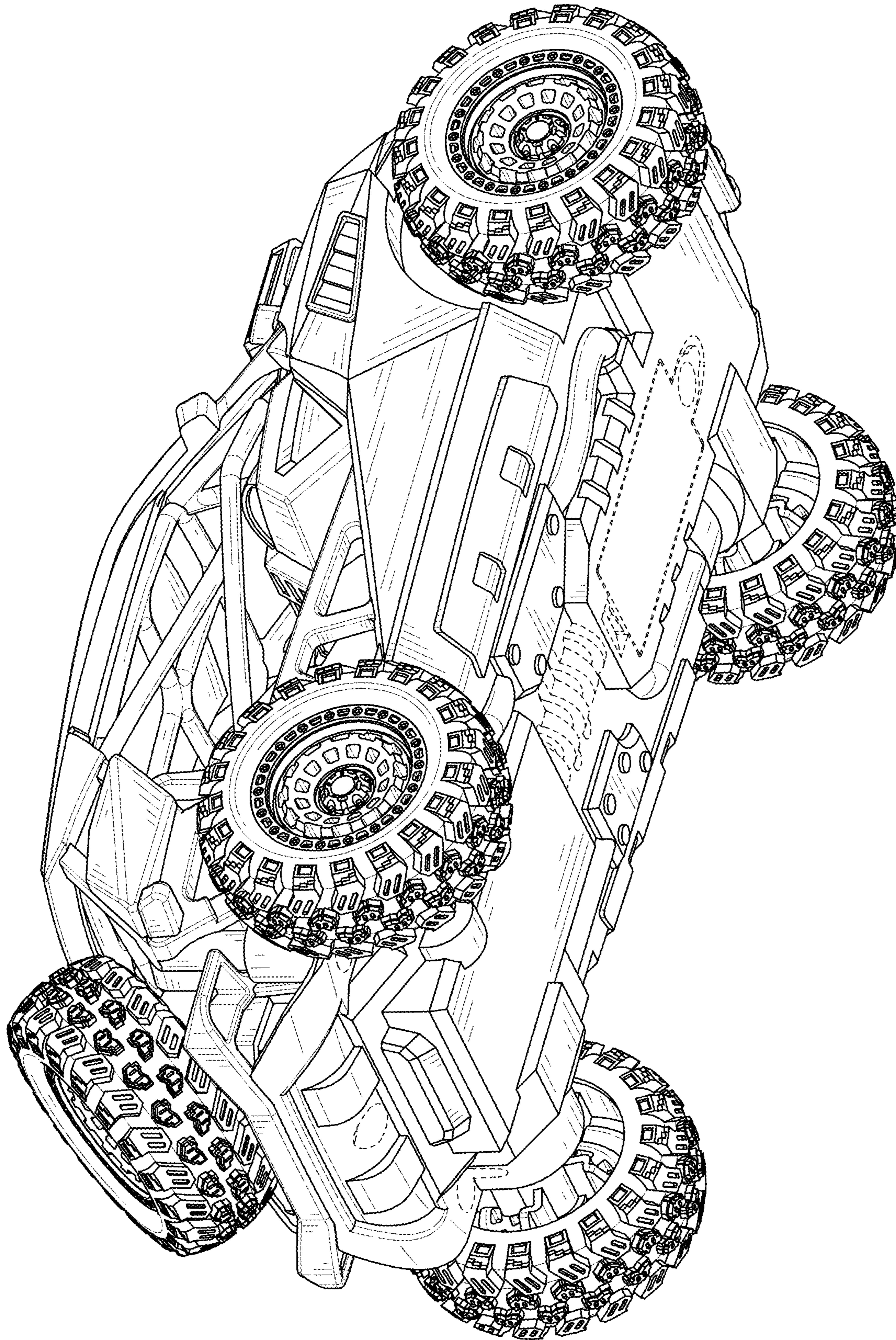


FIG. 9

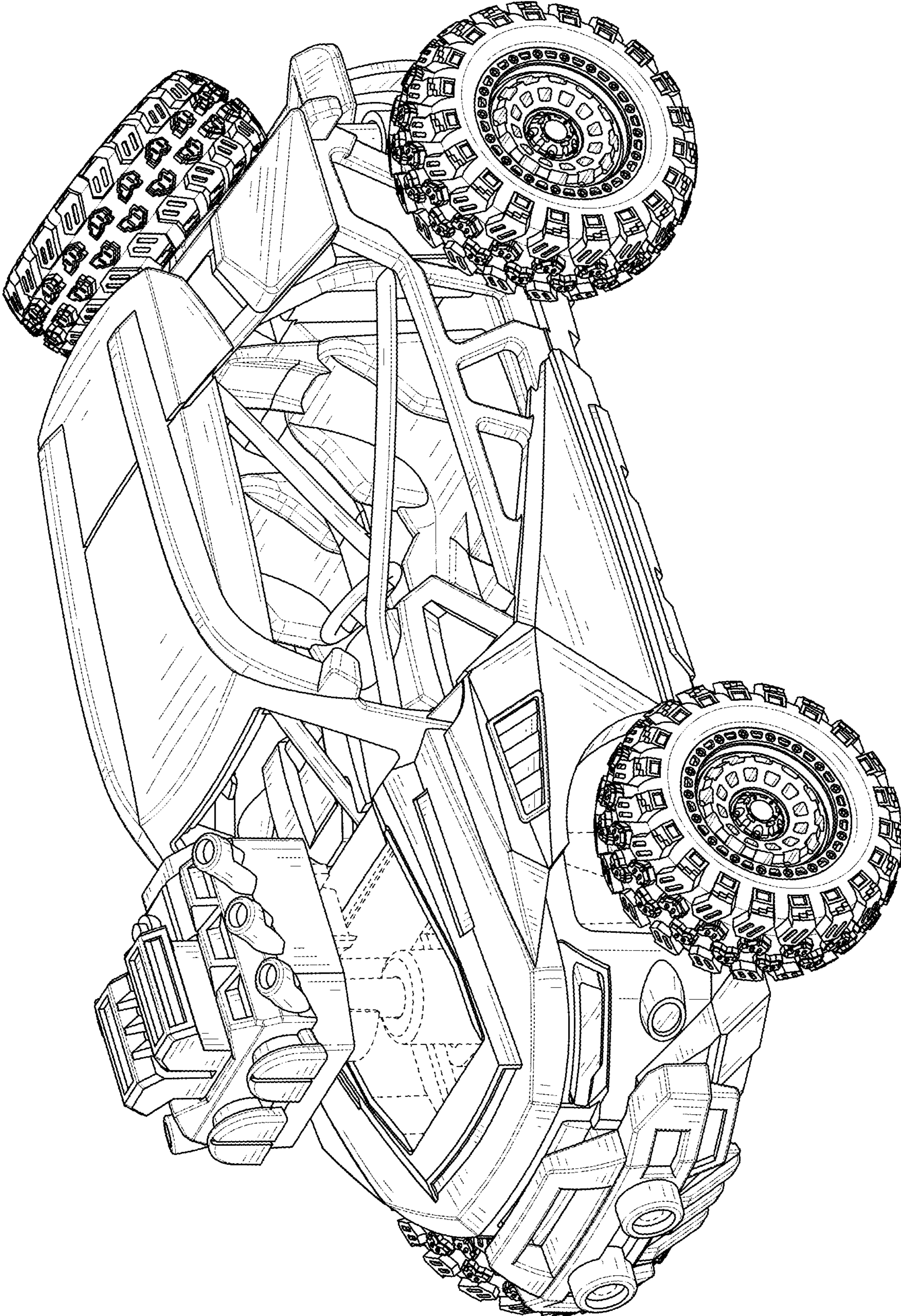


FIG. 10

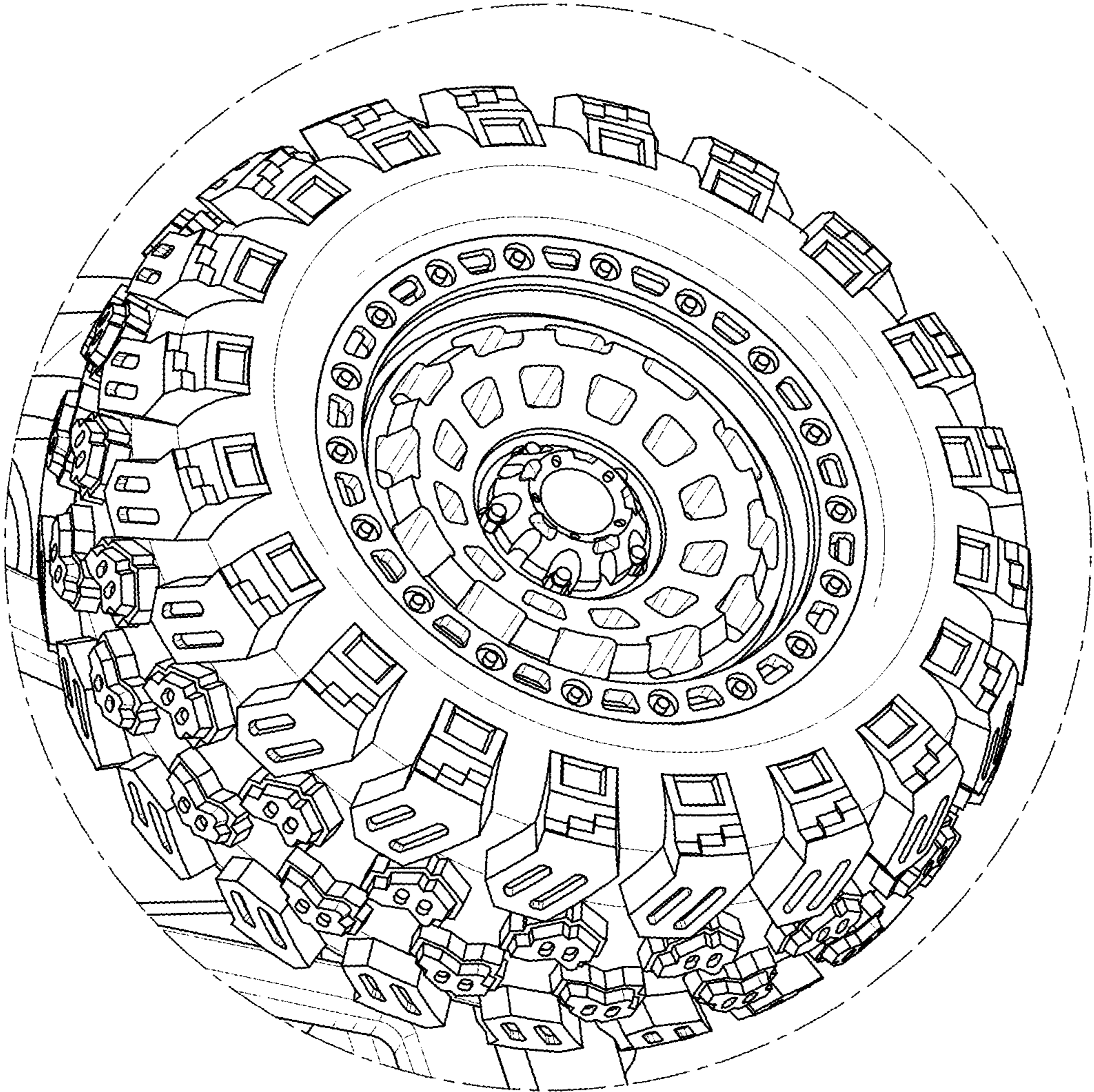


FIG. 11