



US00D931382S

(12) **United States Design Patent** (10) **Patent No.:** **US D931,382 S**
Chen (45) **Date of Patent:** **** Sep. 21, 2021**

(54) **TOY CAR**

(71) Applicant: **Huanqun Chen**, Shantou (CN)

(72) Inventor: **Huanqun Chen**, Shantou (CN)

(**) Term: **15 Years**

(21) Appl. No.: **29/720,395**

(22) Filed: **Jan. 13, 2020**

(30) **Foreign Application Priority Data**

Nov. 15, 2019 (CN) 201930628866.0

(51) **LOC (13) Cl.** **21-01**

(52) **U.S. Cl.**
USPC **D21/533**

(58) **Field of Classification Search**
USPC D21/424, 434, 433, 548, 549, 552, 554,
D21/580, 559, 581, 533, 550; D12/92,
D12/86, 90, 91, 88, 164
See application file for complete search history.

(56) **References Cited**

U.S. PATENT DOCUMENTS

D238,699 S *	2/1976	Hodges	D21/426
D272,837 S *	2/1984	Appel	D21/427
D303,408 S *	9/1989	Wallace	D21/550
D403,027 S *	12/1998	Pourtout	D21/433
D620,539 S *	7/2010	Badanjo	D21/551

D888,839 S *	6/2020	Herlitz	D21/433
D916,201 S *	4/2021	Zemskov	D21/433
2019/0291913 A1 *	9/2019	Enoki	B65D 1/0207
2019/0299273 A1 *	10/2019	Enoki	B21D 51/40
2020/0047939 A1 *	2/2020	Patel	B65D 1/165
2020/0172282 A1 *	6/2020	Hasegawa	B65D 1/0246
2020/0407146 A1 *	12/2020	Winter	H05B 1/0236
2020/0407591 A1 *	12/2020	Sato	B65D 65/42
2021/0016915 A1 *	1/2021	Kuroiwa	B21D 51/2615

* cited by examiner

Primary Examiner — Khawaja Anwar

Assistant Examiner — Julice Seung Eun Oum

(74) *Attorney, Agent, or Firm* — ScienBiziP, P.C.

(57) **CLAIM**

The ornamental design for a toy car, as shown and described.

DESCRIPTION

FIG. 1 is a top, front, right side perspective view of a toy car, showing my design.

FIG. 2 is a bottom, rear, left side perspective view thereof.

FIG. 3 is a front elevation view thereof.

FIG. 4 is a rear elevation view thereof.

FIG. 5 is a left side elevation view thereof.

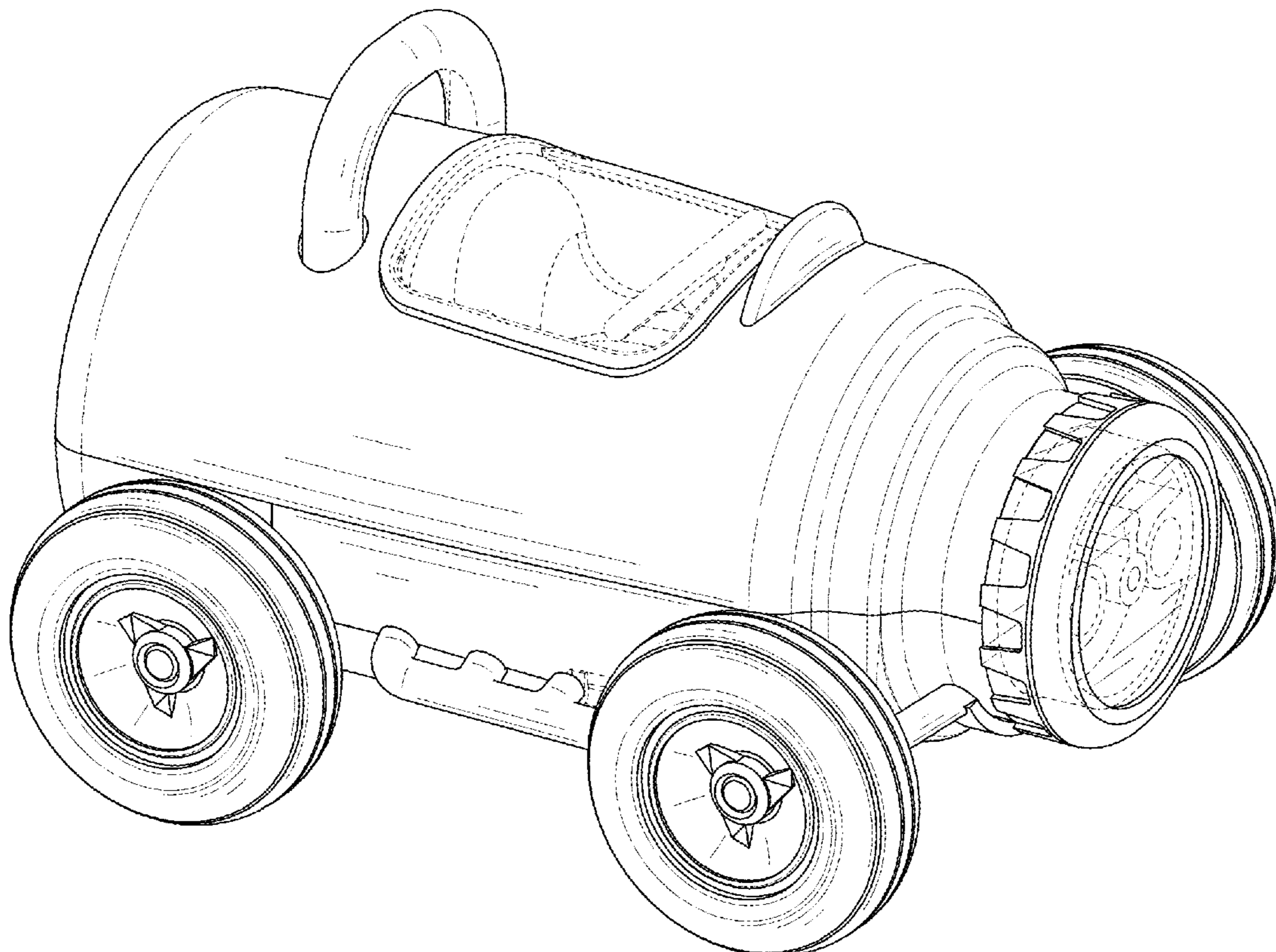
FIG. 6 is a right side elevation view thereof.

FIG. 7 is a top plan view thereof; and,

FIG. 8 is a bottom plan view thereof.

The details shown in broken lines form no part of the claimed design.

1 Claim, 8 Drawing Sheets



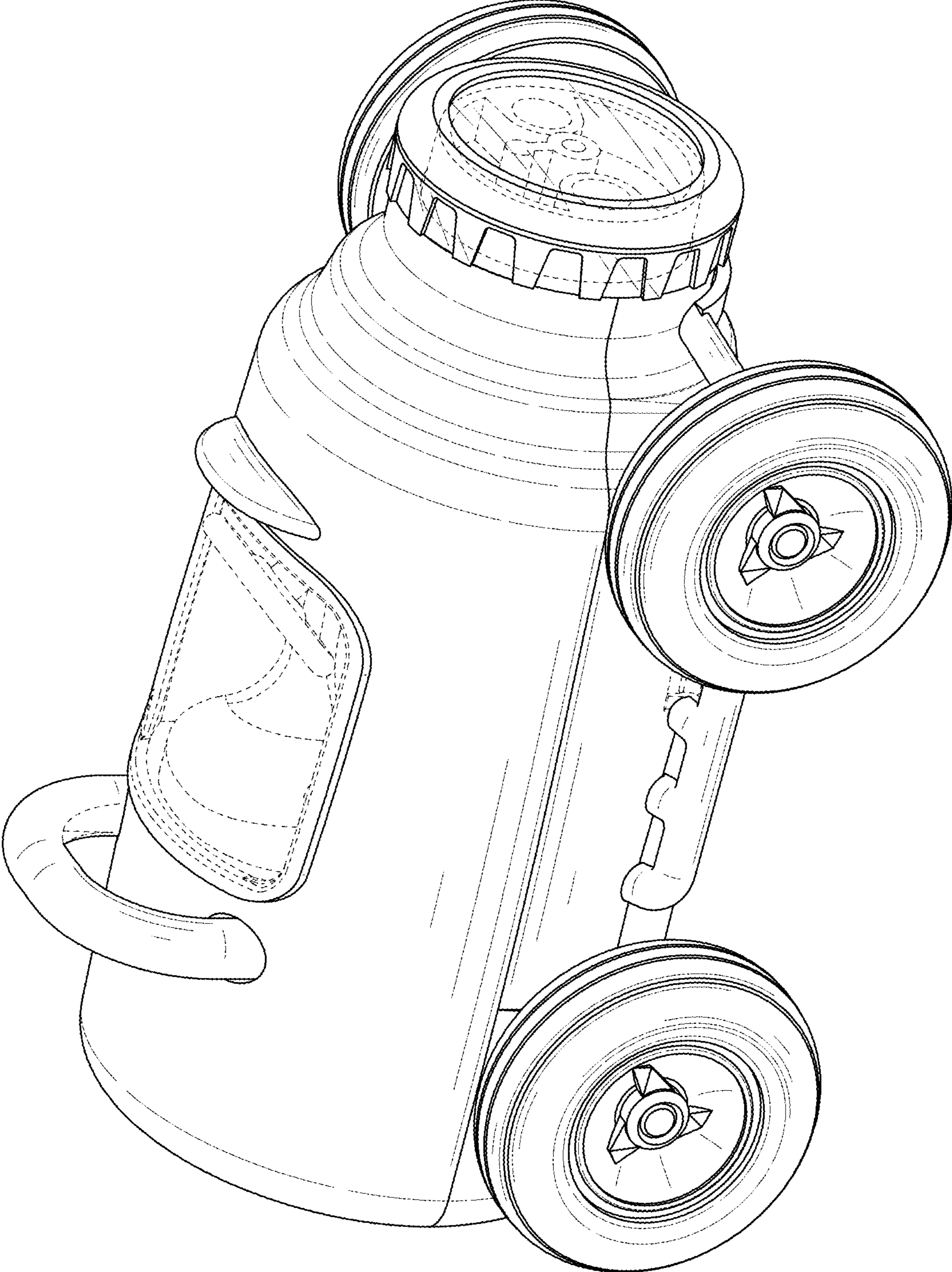


FIG. 1

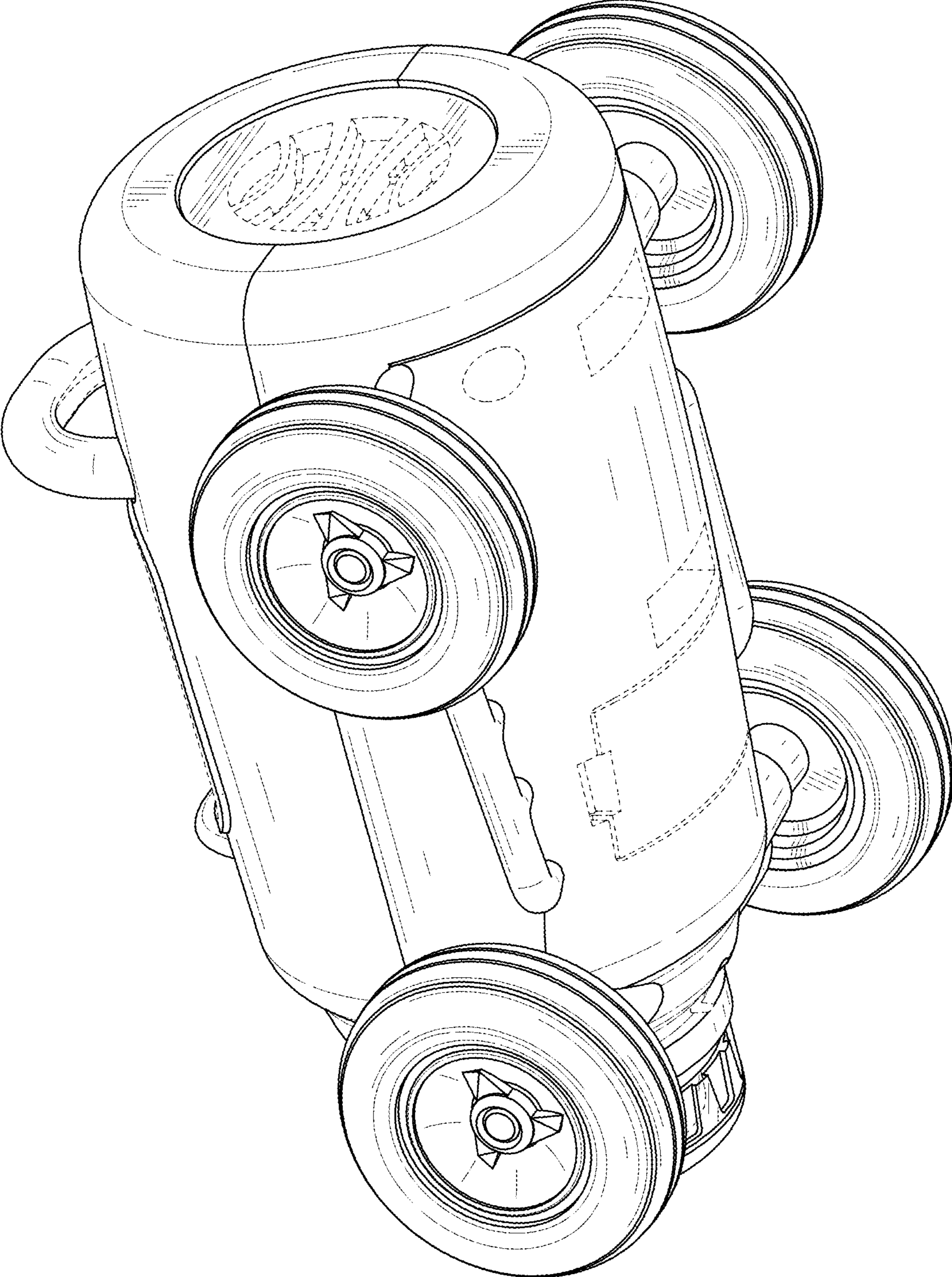


FIG. 2

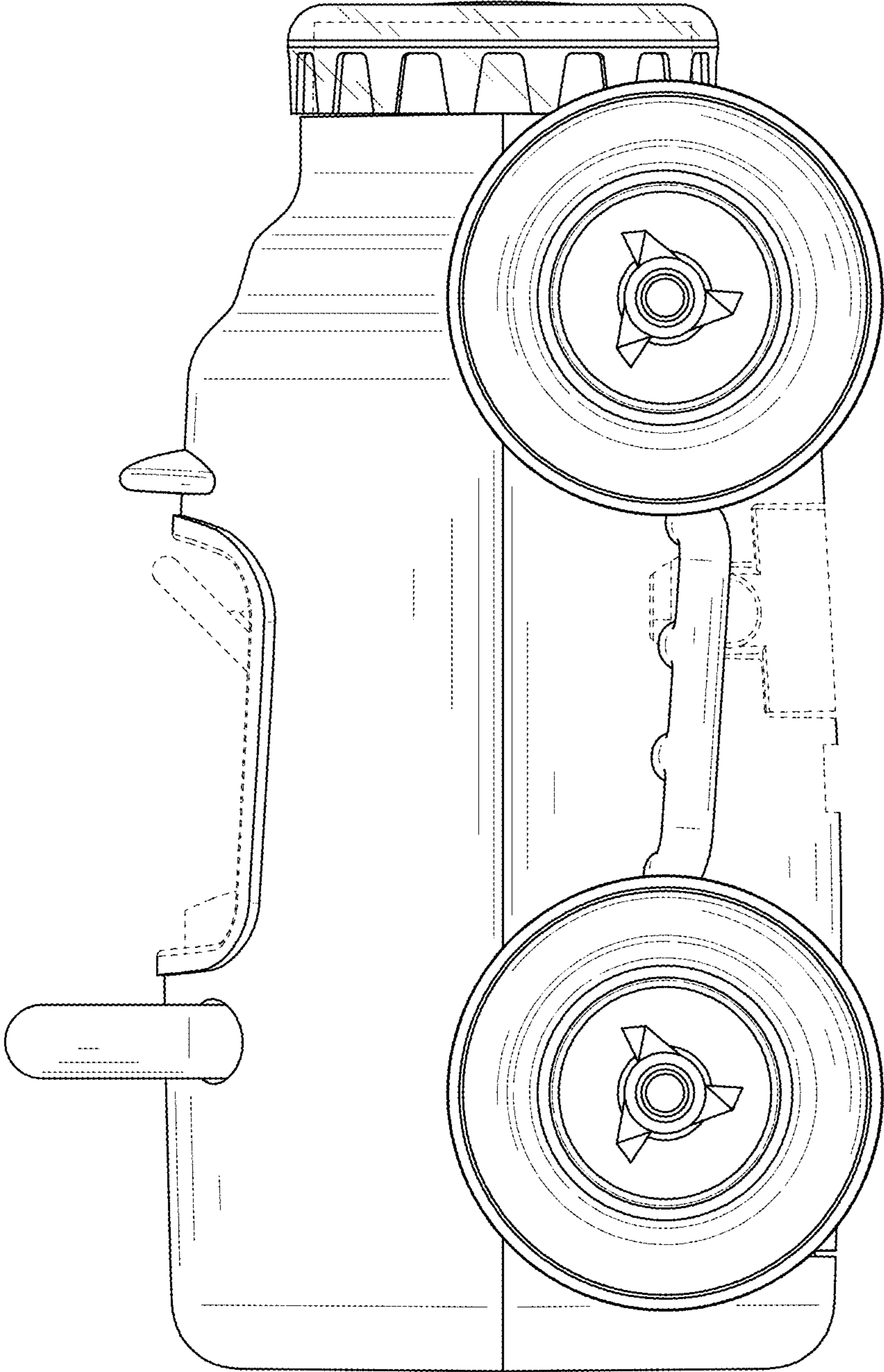


FIG. 3

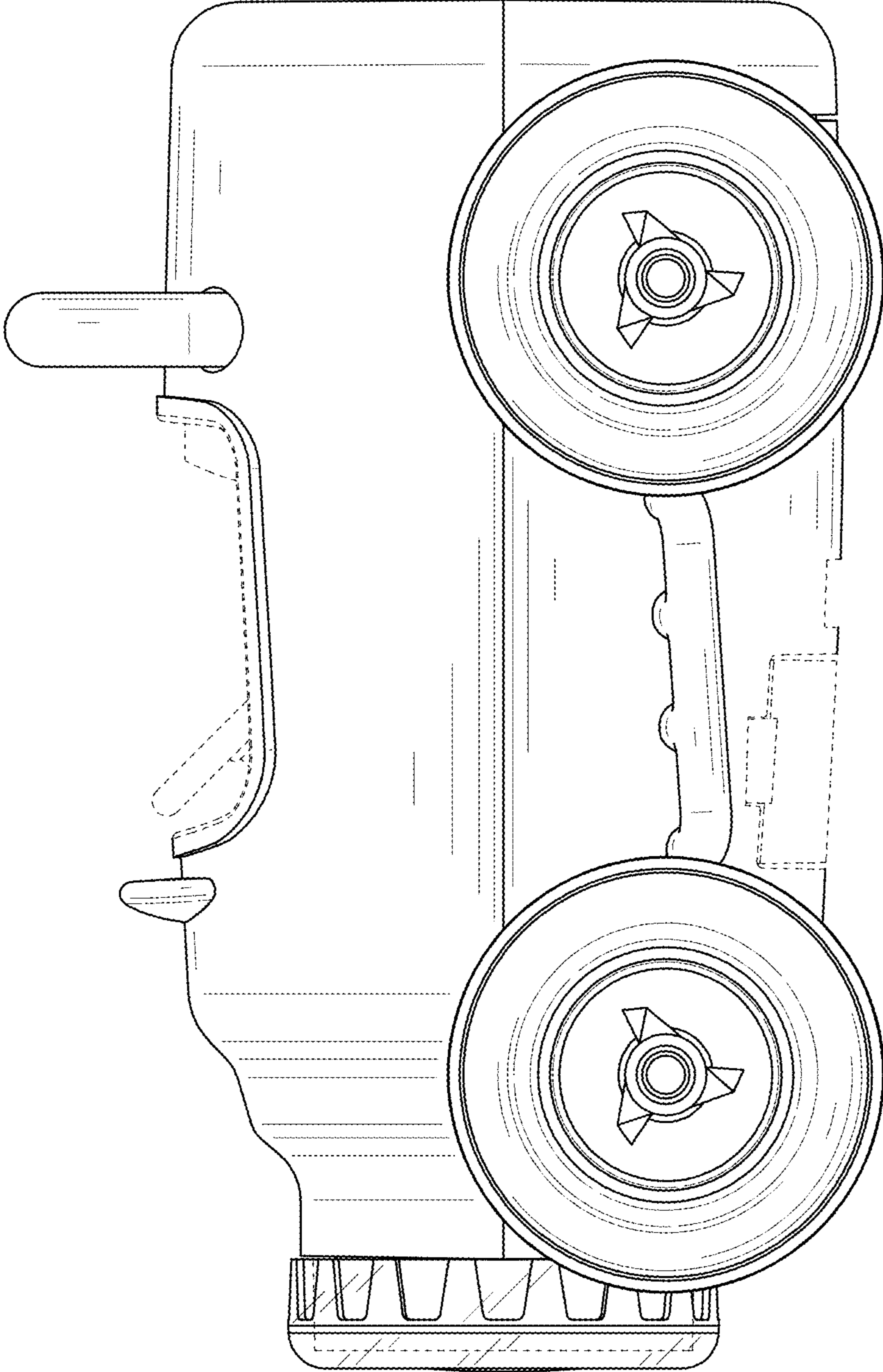


FIG. 4

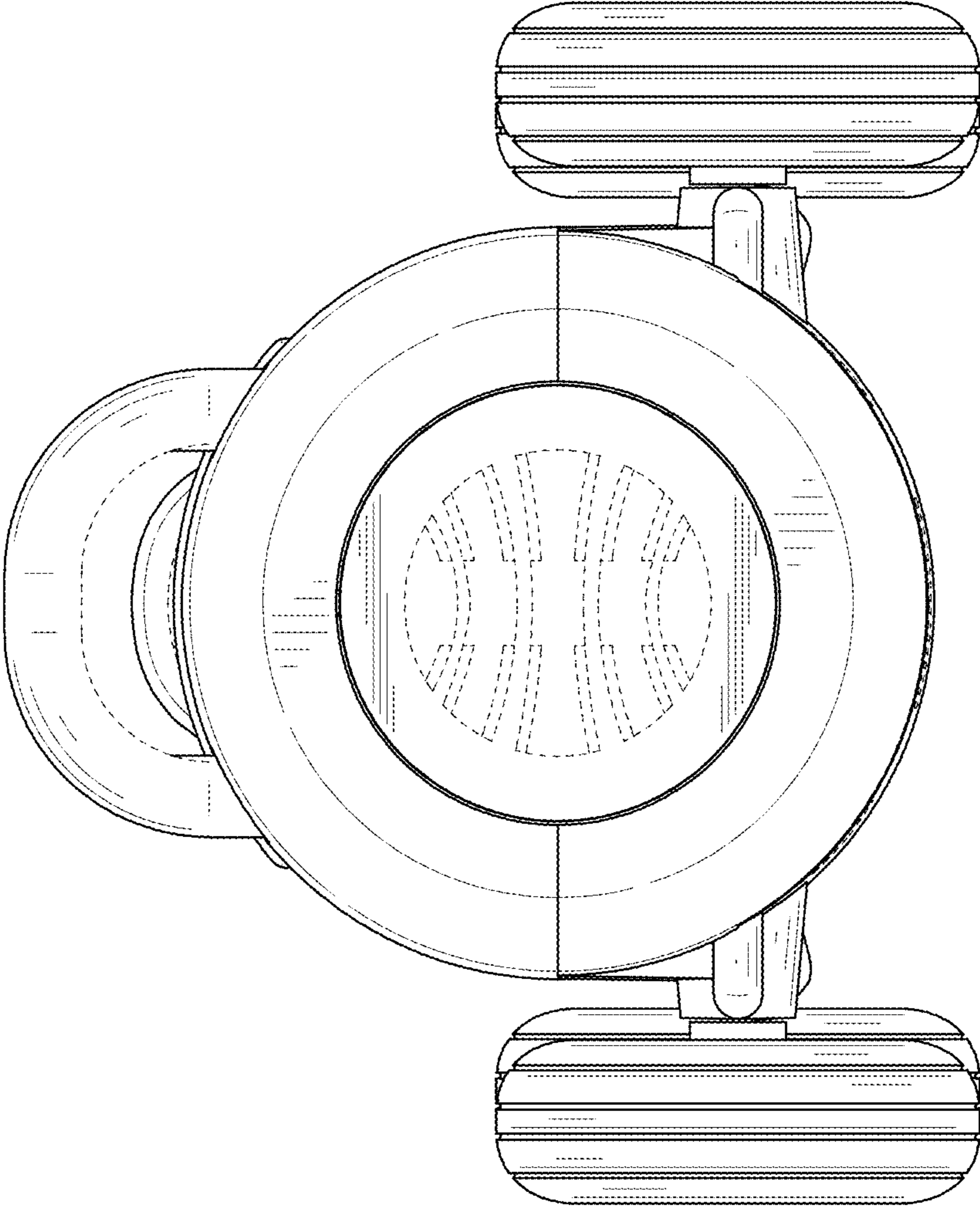


FIG. 5

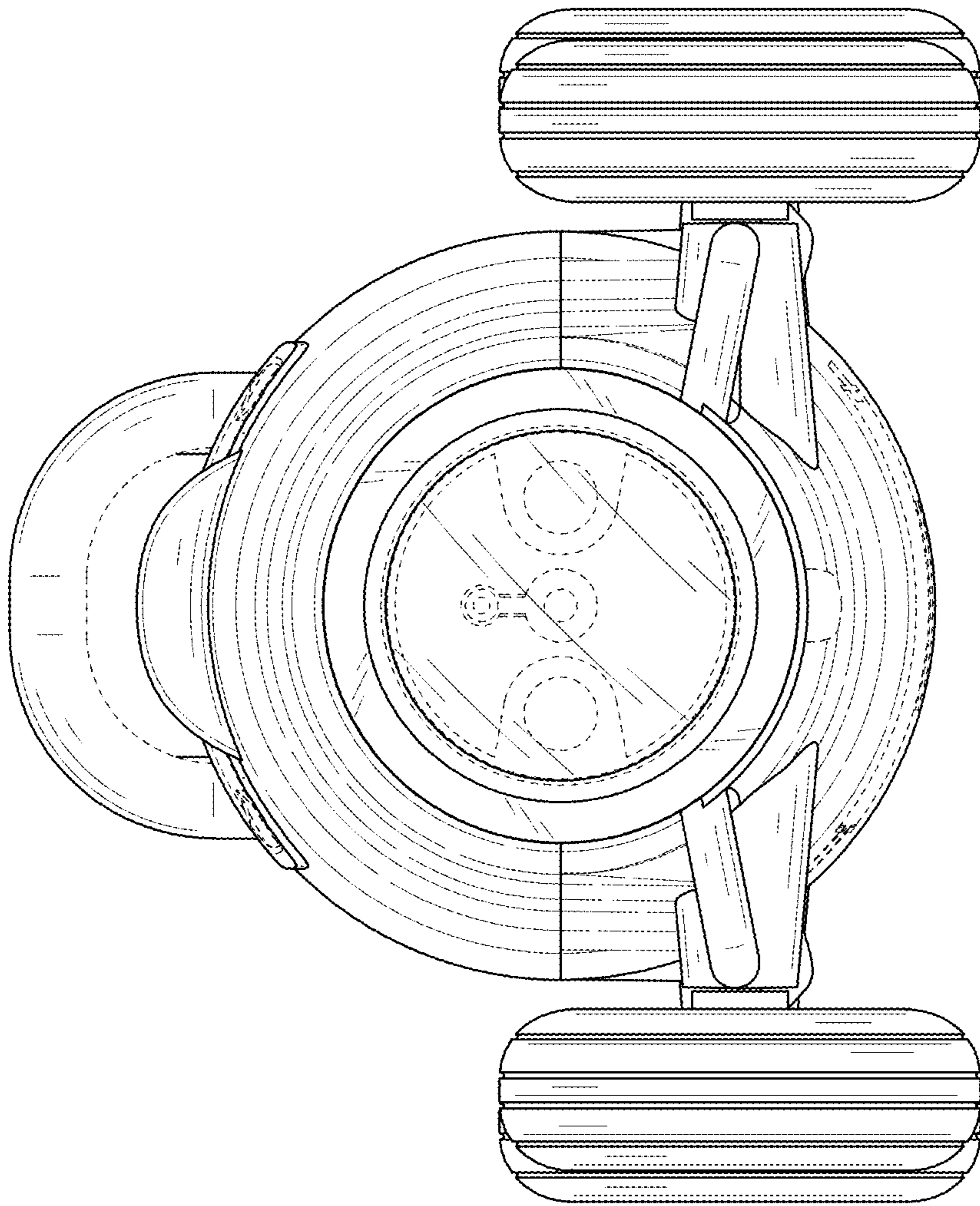


FIG. 6

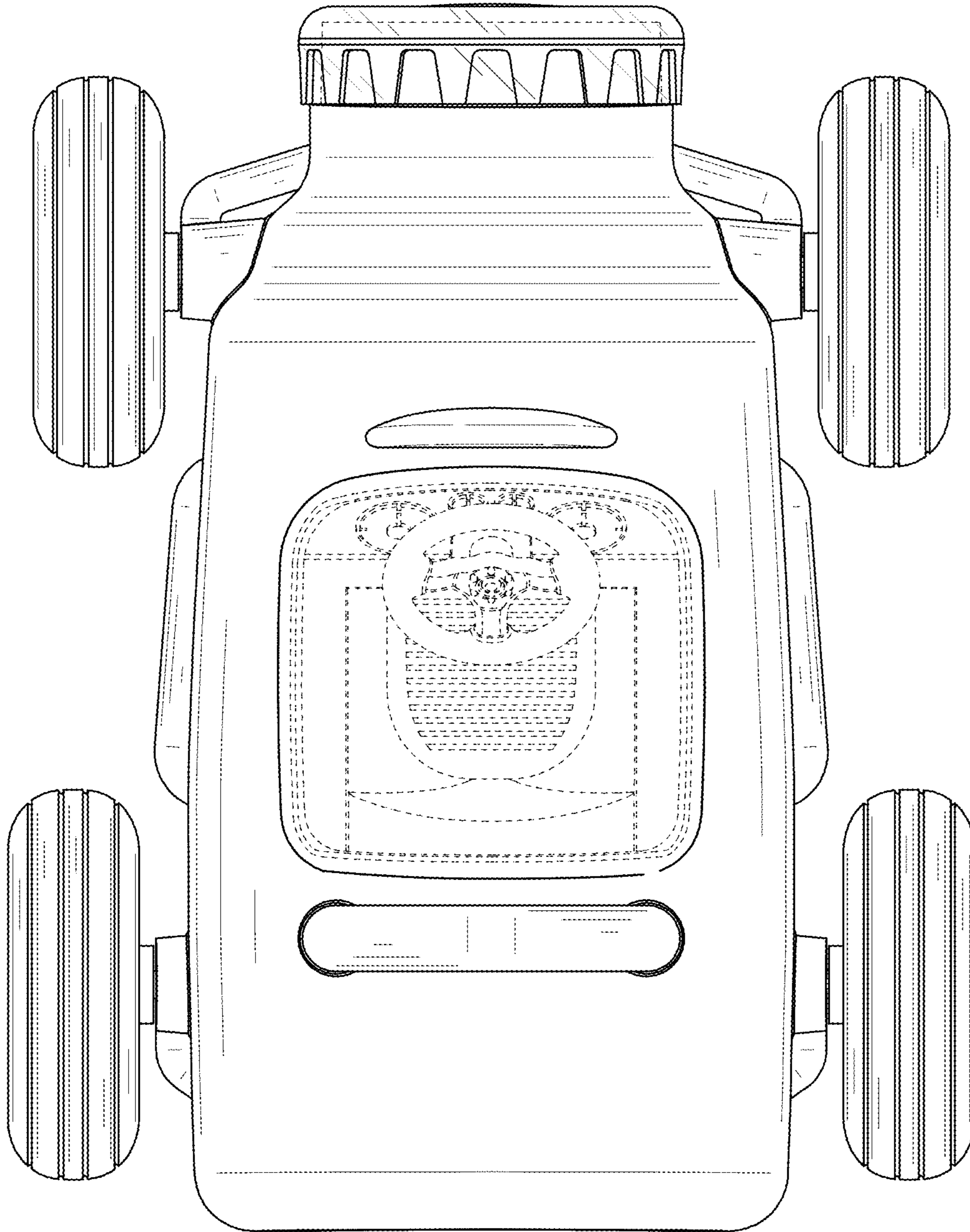


FIG. 7

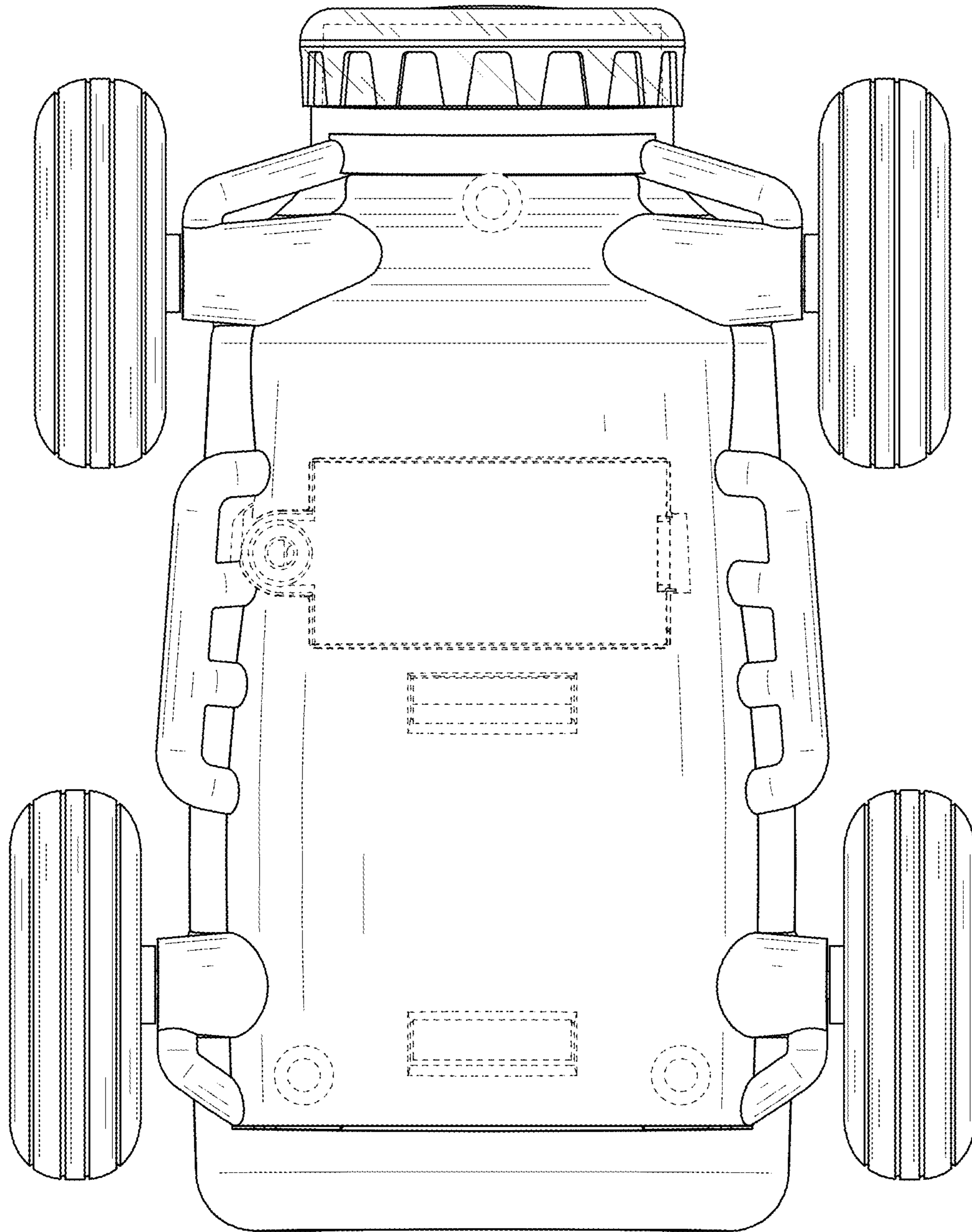


FIG. 8