



US00D931378S

(12) **United States Design Patent**
Plummer

(10) **Patent No.:** **US D931,378 S**

(45) **Date of Patent:** **** Sep. 21, 2021**

(54) **MARK MAKING ROLLER**

(71) Applicant: **Marshall Plummer**, Nashville, TN
(US)

(72) Inventor: **Marshall Plummer**, Nashville, TN
(US)

(**) Term: **15 Years**

(21) Appl. No.: **29/735,518**

(22) Filed: **May 21, 2020**

(51) **LOC (13) Cl.** **21-01**

(52) **U.S. Cl.**
USPC **D21/460**; D19/12

(58) **Field of Classification Search**
USPC D6/320, 321, 323, 328, 524; D14/485;
D15/66, 72, 73, 78, 122, 128, 138;
D18/15-18, 50, 56, 58, 99; D19/71, 101,
D19/108, 115, 136, 145, 12; D21/306,
D21/308, 374, 386, 398, 399, 459, 460,
D21/461-468

CPC A63H 1/00; A63H 1/02; A63H 9/00; A63F
9/16

See application file for complete search history.

(56) **References Cited**

U.S. PATENT DOCUMENTS

D2,927 S *	2/1868	Pusey	D21/460
D82,435 S *	11/1930	Krause	D21/460
D138,494 S *	8/1944	Hacmac	D21/460
D157,985 S *	4/1950	Krapp	D21/461
D173,554 S *	11/1954	Chiarle	D21/460
D181,779 S *	12/1957	Buralli	D21/460
D203,610 S *	2/1966	Levy	D21/460
D214,746 S *	7/1969	Montgomery	D21/461
D219,470 S *	12/1970	Miller	D21/460
D237,521 S *	11/1975	Tremblay	D21/460
D285,462 S *	9/1986	Fiihr	D21/461
D301,259 S *	5/1989	Rubino	D21/460
D320,240 S *	9/1991	Stefanou	D21/460

D331,082 S *	11/1992	Levy	D21/460
D349,512 S *	8/1994	Law	401/195
D388,135 S *	12/1997	Benchetrit	D21/460
D404,438 S *	1/1999	Hunts	D21/460
D433,770 S *	11/2000	Rotstein	D11/125
D509,265 S *	9/2005	Lemesle	D21/510
D647,144 S *	10/2011	Robins	D21/460
D685,035 S *	6/2013	Kanbar	D21/460
D687,107 S *	7/2013	Kanbar	D21/460
D719,619 S *	12/2014	Sawyer	D21/460
D910,775 S *	2/2021	Cran	D21/460

* cited by examiner

Primary Examiner — Michael C Stout

Assistant Examiner — Fritzgerald L Butac

(74) *Attorney, Agent, or Firm* — Patterson Intellectual
Property Law, P.C.; Edward D. Lanquist, Jr.; Alex H.
Huffstutter

(57) **CLAIM**

What is claimed is the ornamental design for a mark making
roller, as shown and described.

DESCRIPTION

FIG. 1 is an upper perspective view showing the mark
making roller of Applicants' invention.

FIG. 2 is a lower perspective view of the mark making roller
of FIG. 1.

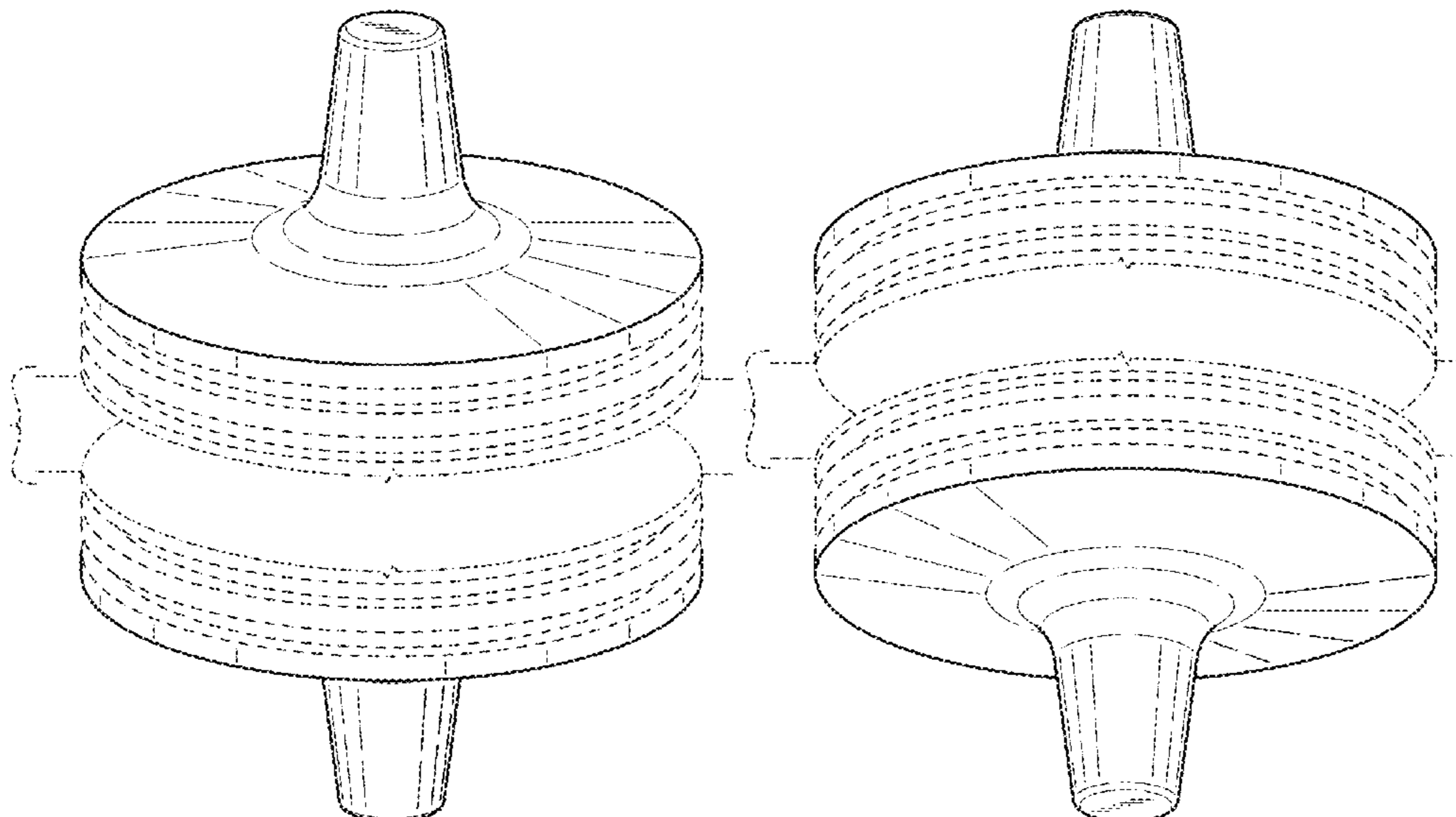
FIG. 3 is a front elevation of the mark making roller of FIG.
1, with the rear elevation view being a mirror image thereof;
and,

FIG. 4 is top plan view of the mark making roller of FIG. 1,
with the left, right, and bottom plan view being mirror
images thereof.

The broken lines show portions of a mark making roller
which form no part of the claimed design.

The area within the dash-dot brackets are meant to convey
an unspecified length, and forms no part of the claimed
design.

1 Claim, 2 Drawing Sheets



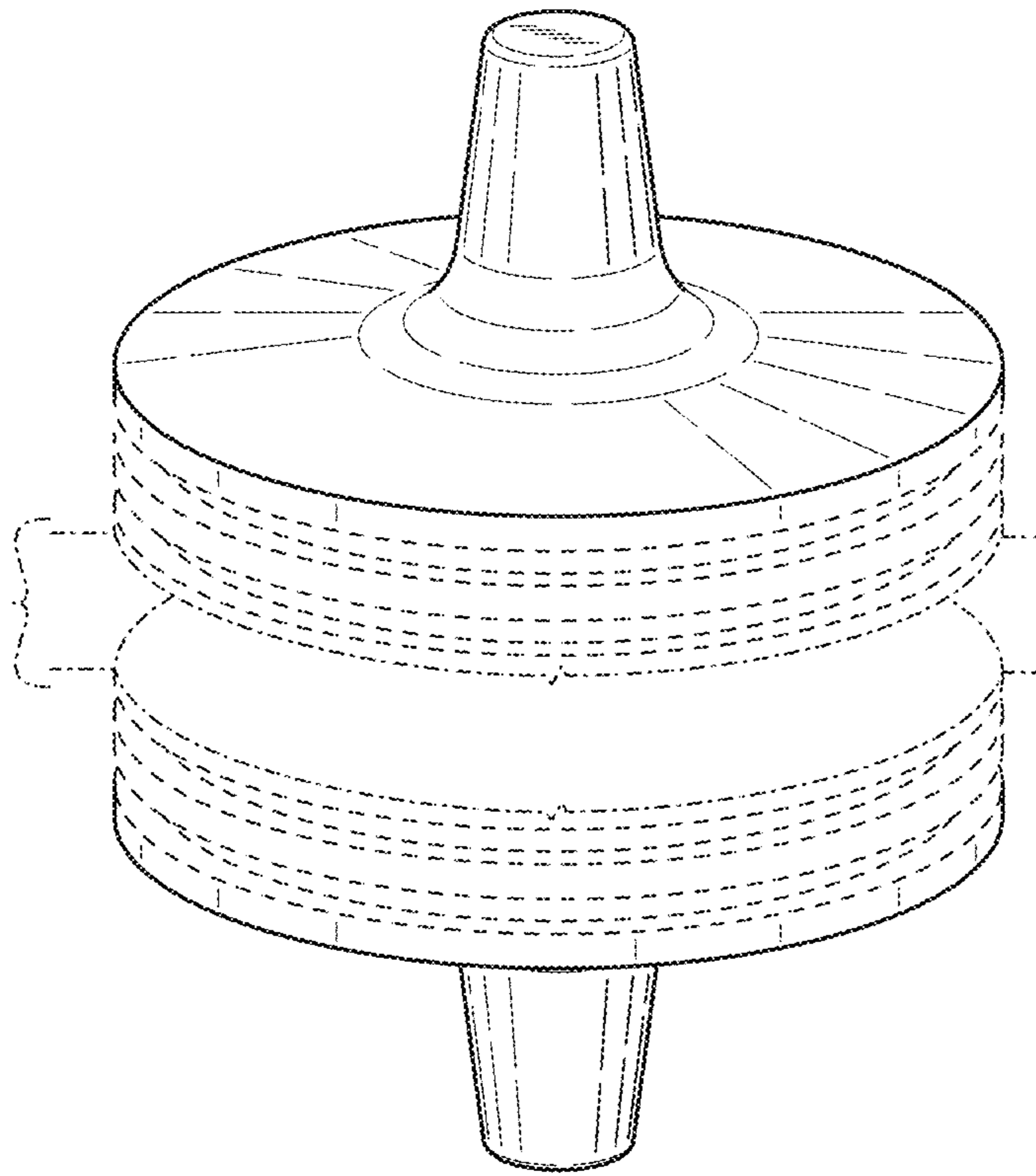


FIG. 1

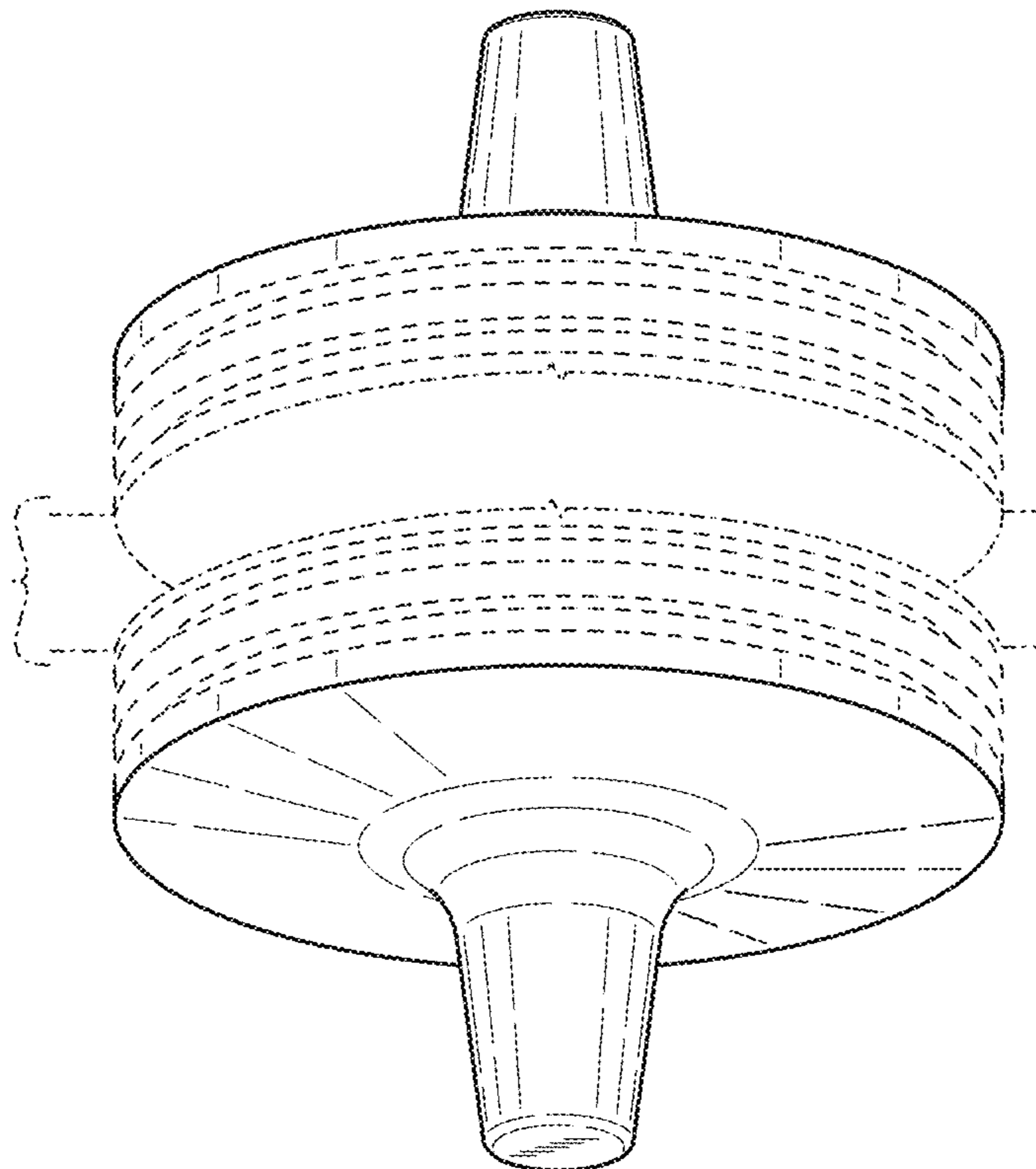


FIG. 2

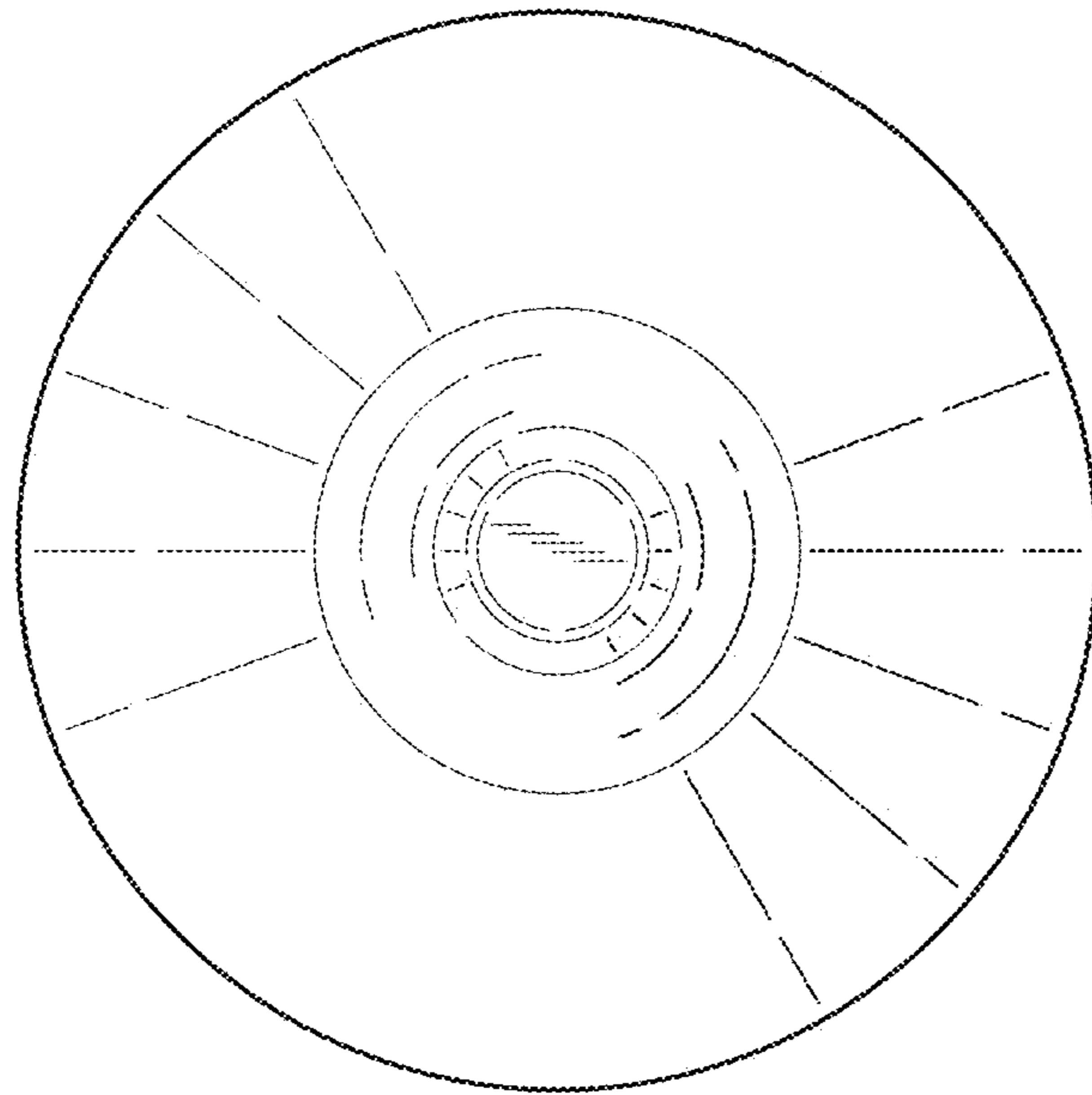


FIG. 3

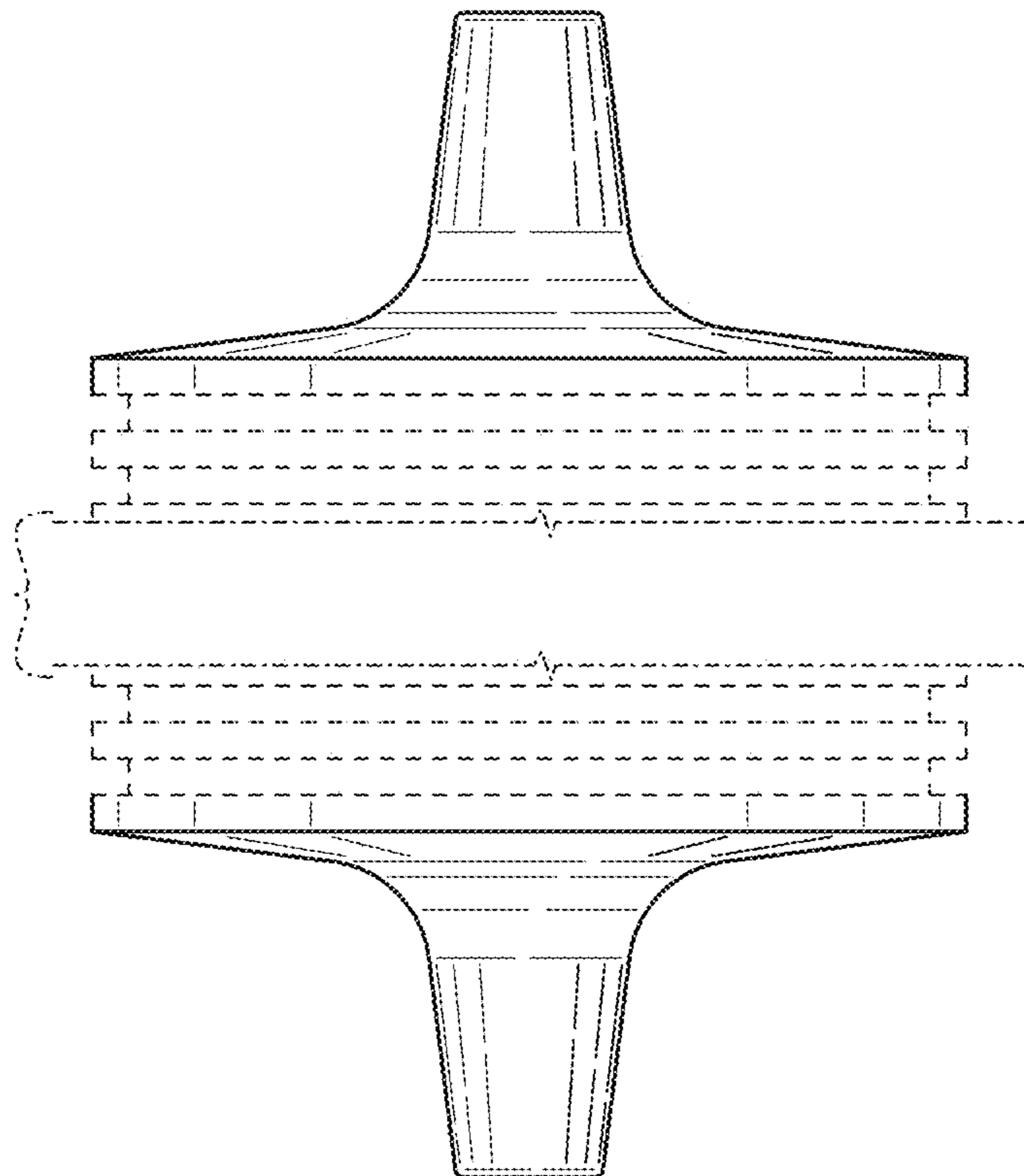


FIG. 4