



US00D931377S

(12) **United States Design Patent** (10) **Patent No.:** **US D931,377 S**
McGahn et al. (45) **Date of Patent:** **** Sep. 21, 2021**

(54) **GAMING MACHINE**

(71) Applicant: **IGT**, Las Vegas, NV (US)
(72) Inventors: **Steven McGahn**, Reno, NV (US);
Charles Johnson, Reno, NV (US);
Jacob Wik, Reno, NV (US); **Jack H. Brooks**, Reno, NV (US)
(73) Assignee: **IGT**, Las Vegas, NV (US)
(**) Term: **15 Years**
(21) Appl. No.: **29/708,970**
(22) Filed: **Oct. 10, 2019**
(51) **LOC (13) Cl.** **21-03**
(52) **U.S. Cl.**
USPC **D21/370**
(58) **Field of Classification Search**
USPC D21/329, 332, 333, 365, 385, 694, 371,
D21/325, 324, 336, 369; D6/300, 301,
D6/302, 308, 332, 650, 650.1, 668, 670,
D6/691.3, 703.1, 705.1
CPC A63F 59/04
See application file for complete search history.

(56) **References Cited**

U.S. PATENT DOCUMENTS

D77,825 S 2/1929 Fey
D245,359 S 8/1977 Wilke
5,813,914 A 9/1998 Mckay et al.
D460,915 S 7/2002 Lynch
6,688,984 B2 2/2004 Cole
D508,961 S 8/2005 Gatto et al.
6,997,810 B2 2/2006 Cole
D539,854 S 4/2007 Luciano et al.
7,267,613 B2 9/2007 Cole

(Continued)

OTHER PUBLICATIONS

“Behemoth Slot Machine”, Aristocrat, available prior to Oct. 10, 2019.

(Continued)

Primary Examiner — Khawaja Anwar
Assistant Examiner — Julice Seung Eun Oum
(74) *Attorney, Agent, or Firm* — Neal, Gerber & Eisenberg LLP

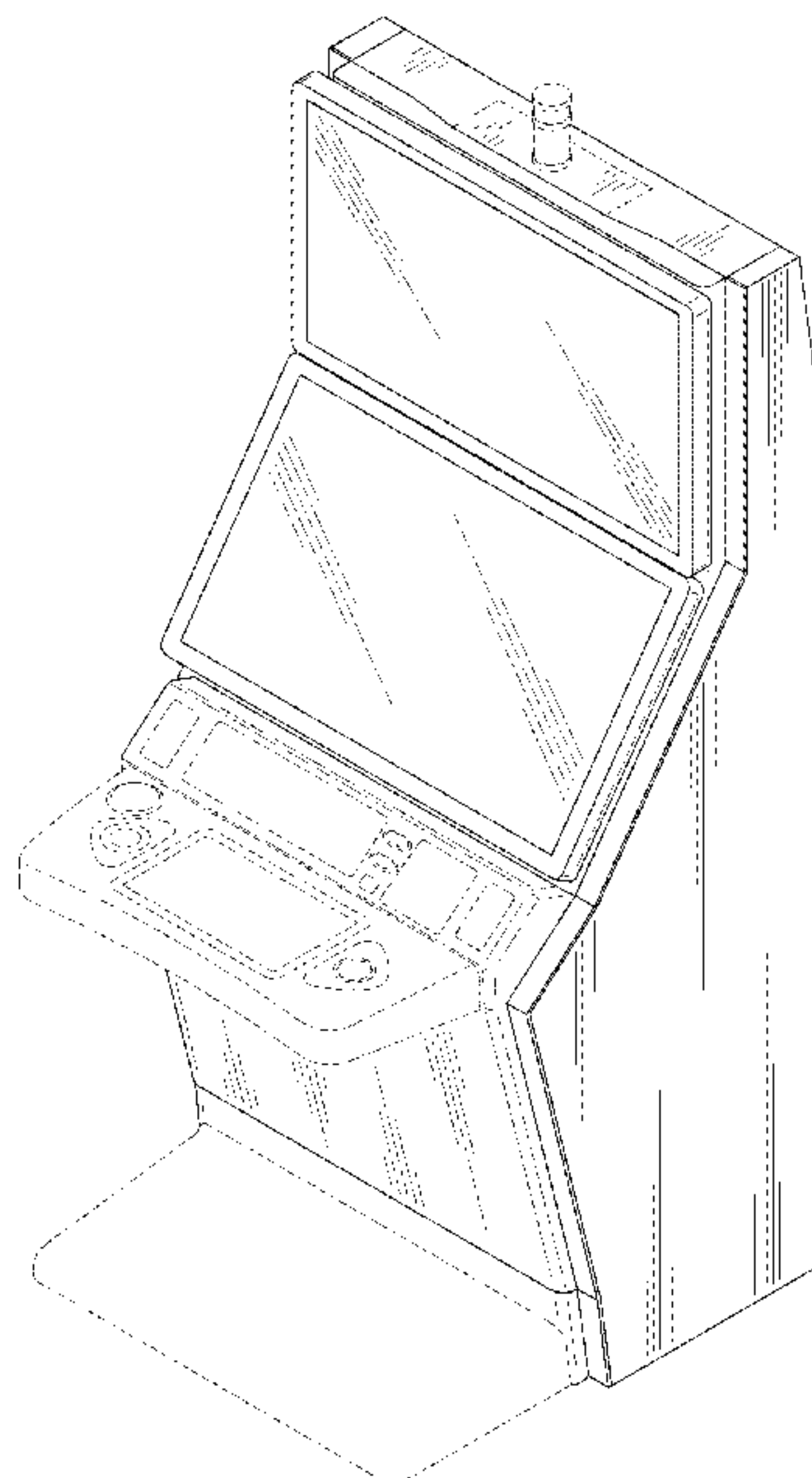
(57) **CLAIM**

The ornamental design for a gaming machine, as shown and described.

DESCRIPTION

FIG. 1 is a front perspective view of a gaming machine of one embodiment of our new design.
FIG. 2 is a front view of the gaming machine of FIG. 1.
FIG. 3 is a rear view of the gaming machine of FIG. 1.
FIG. 4 is a right side view of the gaming machine of FIG. 1.
FIG. 5 is a left side view of the gaming machine of FIG. 1.
FIG. 6 is a top view of the gaming machine of FIG. 1.
FIG. 7 is a bottom view of the gaming machine of FIG. 1.
FIG. 8 is a front perspective view of a gaming machine of another embodiment of our new design.
FIG. 9 is a front view of the gaming machine of FIG. 8.
FIG. 10 is a rear view of the gaming machine of FIG. 8.
FIG. 11 is a right side view of the gaming machine of FIG. 8.
FIG. 12 is a left side view of the gaming machine of FIG. 8.
FIG. 13 is a top view of the gaming machine of FIG. 8; and, FIG. 14 is a bottom view of the gaming machine of FIG. 8.
The broken lines shown throughout the drawings represent portions of the gaming machine and form no part of the claimed design.

1 Claim, 14 Drawing Sheets



(56)

References Cited

U.S. PATENT DOCUMENTS

D559,917 S 1/2008 Cole
 D564,600 S 3/2008 Greenberg et al.
 D573,200 S * 7/2008 Hashimoto D21/370
 7,396,282 B2 7/2008 Gauselmann
 7,476,153 B2 1/2009 Walker et al.
 D596,678 S * 7/2009 Myers D21/370
 D599,858 S 9/2009 Lesley et al.
 D605,231 S * 12/2009 Hashimoto D21/325
 D615,598 S 5/2010 Mccomb et al.
 D619,660 S * 7/2010 Cole D21/370
 7,993,198 B2 8/2011 Walker et al.
 8,033,902 B2 10/2011 Wells et al.
 8,272,947 B2 9/2012 Gagner et al.
 8,333,657 B1 12/2012 Nelson et al.
 D674,023 S 1/2013 Seelig
 D684,216 S 6/2013 Terpstra et al.
 D685,435 S 7/2013 Hohman et al.
 D697,558 S * 1/2014 Myers D21/325
 D704,273 S 5/2014 Chudek
 8,864,135 B2 10/2014 Baerlocher et al.
 8,870,663 B2 10/2014 Cole
 D721,766 S 1/2015 Ferrazoli
 D721,767 S 1/2015 Ferrazoli
 D730,993 S * 6/2015 Castro D21/385
 D740,887 S * 10/2015 Randazzo D21/370
 9,443,385 B2 9/2016 Adiraju et al.
 9,508,220 B2 11/2016 Walker et al.
 D801,435 S * 10/2017 Themann D21/369
 D803,324 S 11/2017 Bussey et al.
 9,824,523 B2 11/2017 Cannon et al.
 D810,834 S 2/2018 Kelly et al.
 D818,048 S * 5/2018 Calhoun D21/369
 9,990,807 B2 6/2018 Leger et al.
 D842,929 S 3/2019 Hung et al.

D842,930 S 3/2019 Johnson et al.
 D843,467 S 3/2019 Johnson et al.
 D854,620 S * 7/2019 Yeh D21/369
 D854,621 S * 7/2019 Calhoun D21/369
 D858,641 S * 9/2019 Legras D21/370
 D858,642 S * 9/2019 Legras D21/370
 D866,667 S * 11/2019 Stair D21/369
 D870,818 S * 12/2019 Curbbun D21/369
 D872,188 S 1/2020 Bernard et al.
 D872,189 S 1/2020 Bernard et al.
 D873,921 S 1/2020 Bernard et al.
 D880,609 S 4/2020 Bernard et al.
 D889,553 S * 7/2020 Glenn, II D21/369
 D890,849 S * 7/2020 Johnson D21/369
 D893,628 S * 8/2020 Thoeni D21/300
 D913,379 S * 3/2021 Calhoun Lewis D21/369
 2006/0276245 A1 12/2006 Walker et al.
 2006/0287070 A1 12/2006 Walker et al.
 2007/0142113 A1 6/2007 Walker et al.
 2009/0111573 A1 4/2009 Iddings
 2009/0221375 A1 9/2009 Luciano et al.
 2009/0233681 A1 9/2009 Tsukahara
 2013/0102381 A1 4/2013 Nelson et al.
 2013/0178260 A1 7/2013 Baerlocher et al.
 2014/0274252 A1 9/2014 Chun

OTHER PUBLICATIONS

“Crystal Dual 27 Gaming Machine”, IGT, available prior to Oct. 10, 2019.
 “Helix Casino Machine”, Aristocrat, available prior to Oct. 10, 2019.
 Taiwan Trade, “23 Inch Double Screen Cabinet”, available prior to Oct. 10, 2019.

* cited by examiner

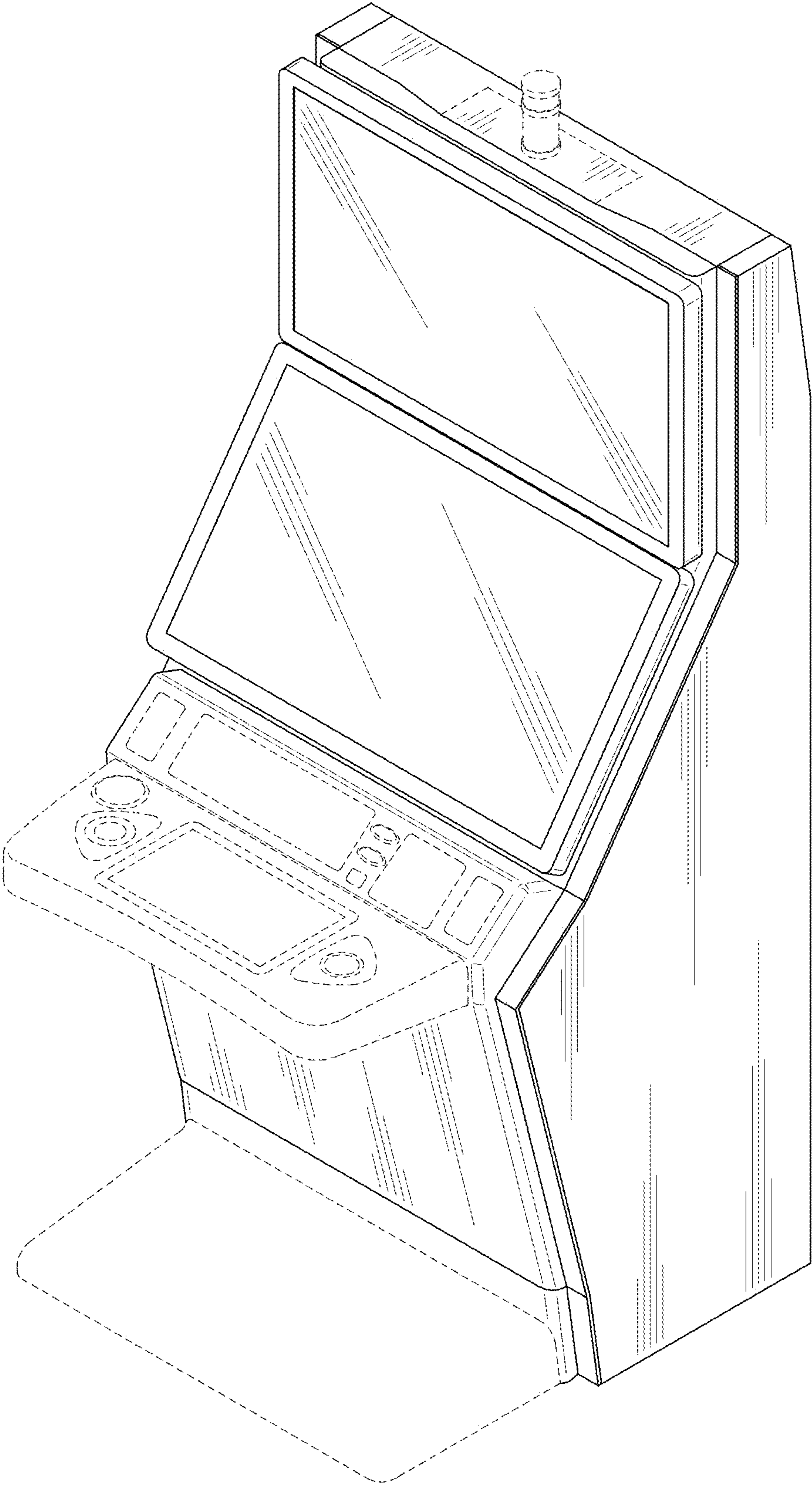


FIG. 1

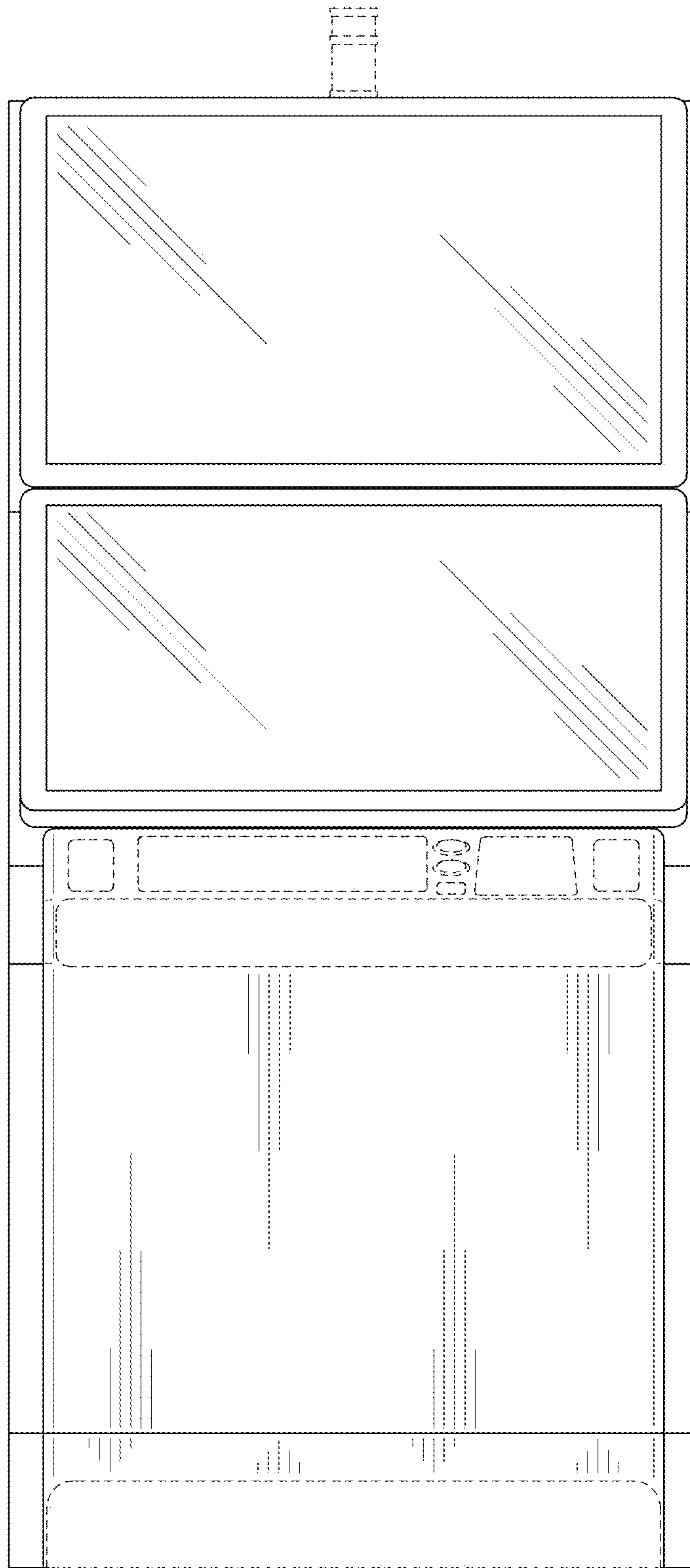


FIG. 2

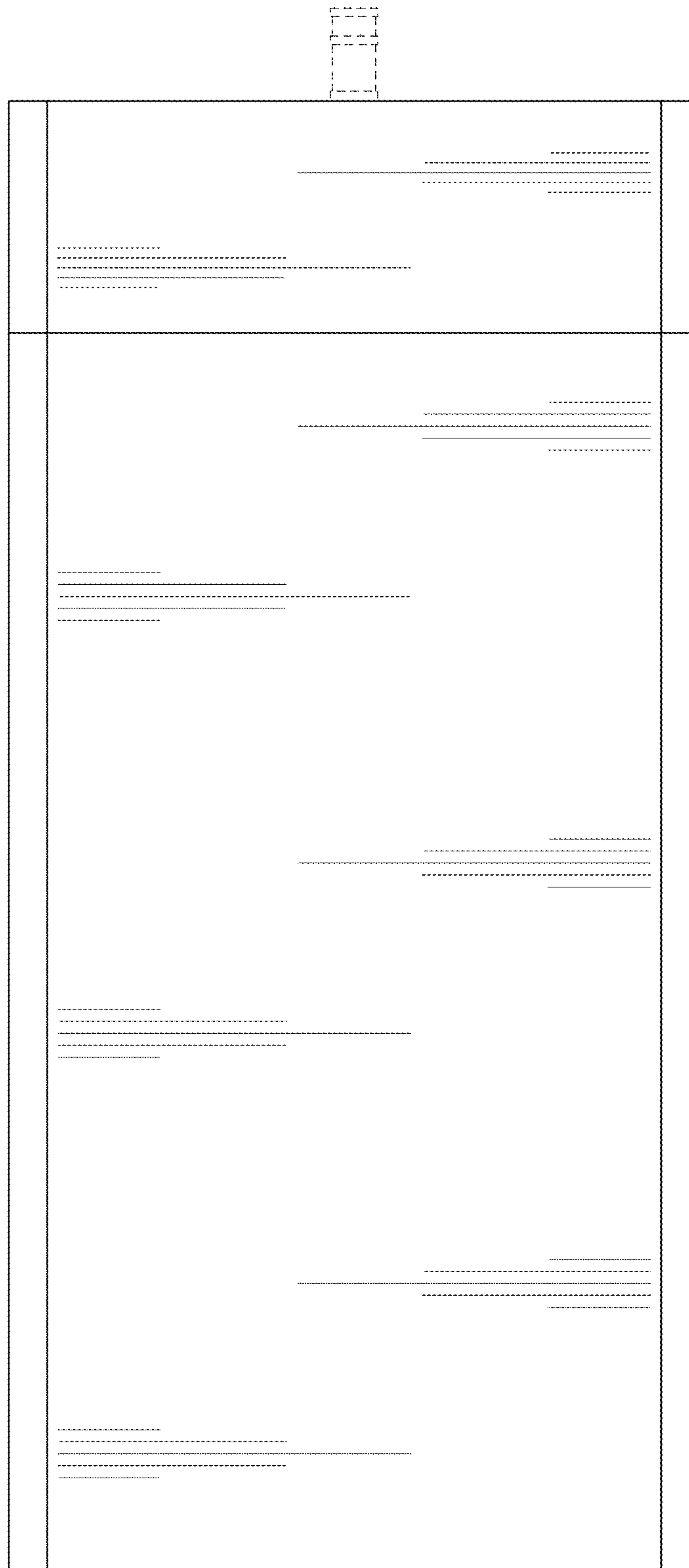


FIG. 3

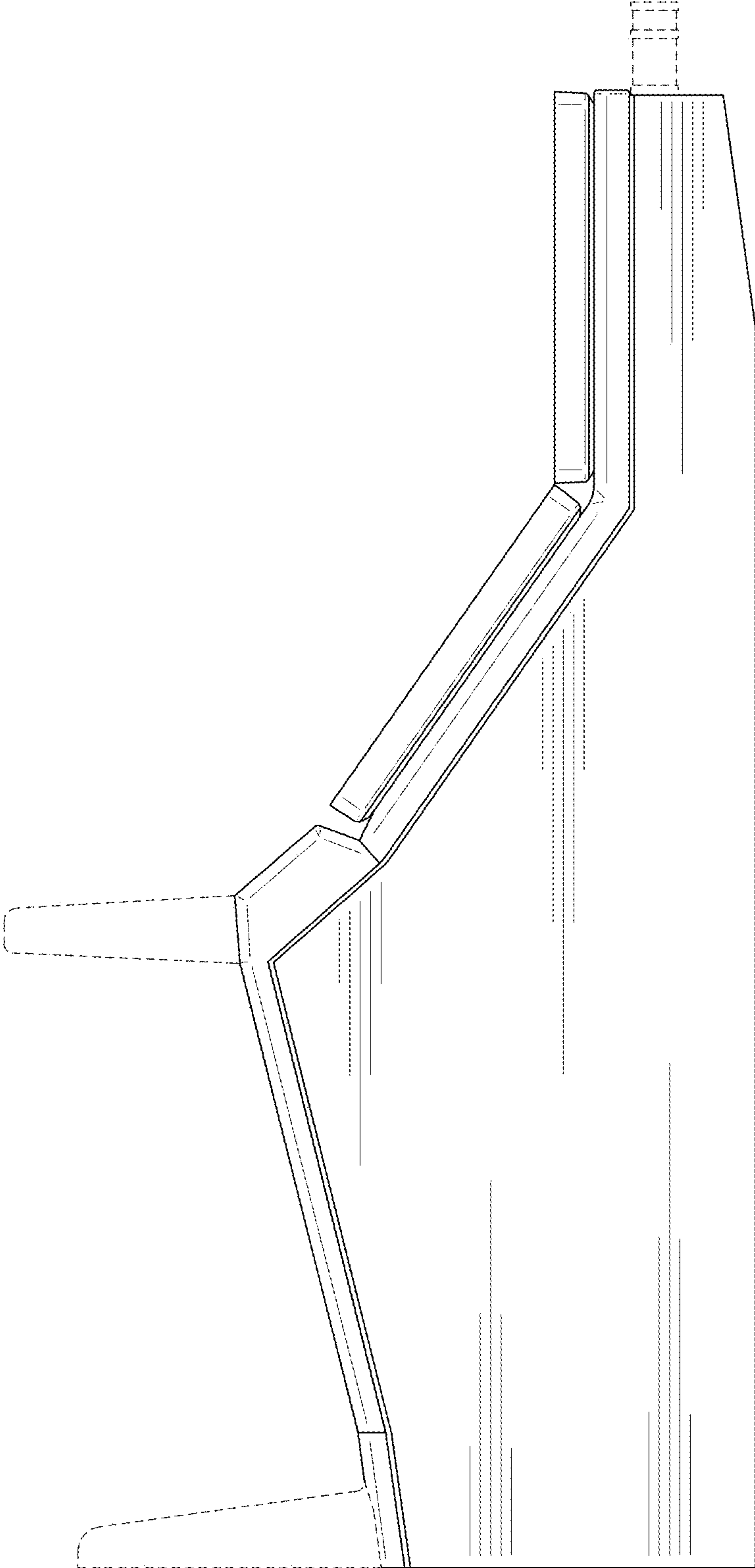


FIG. 4

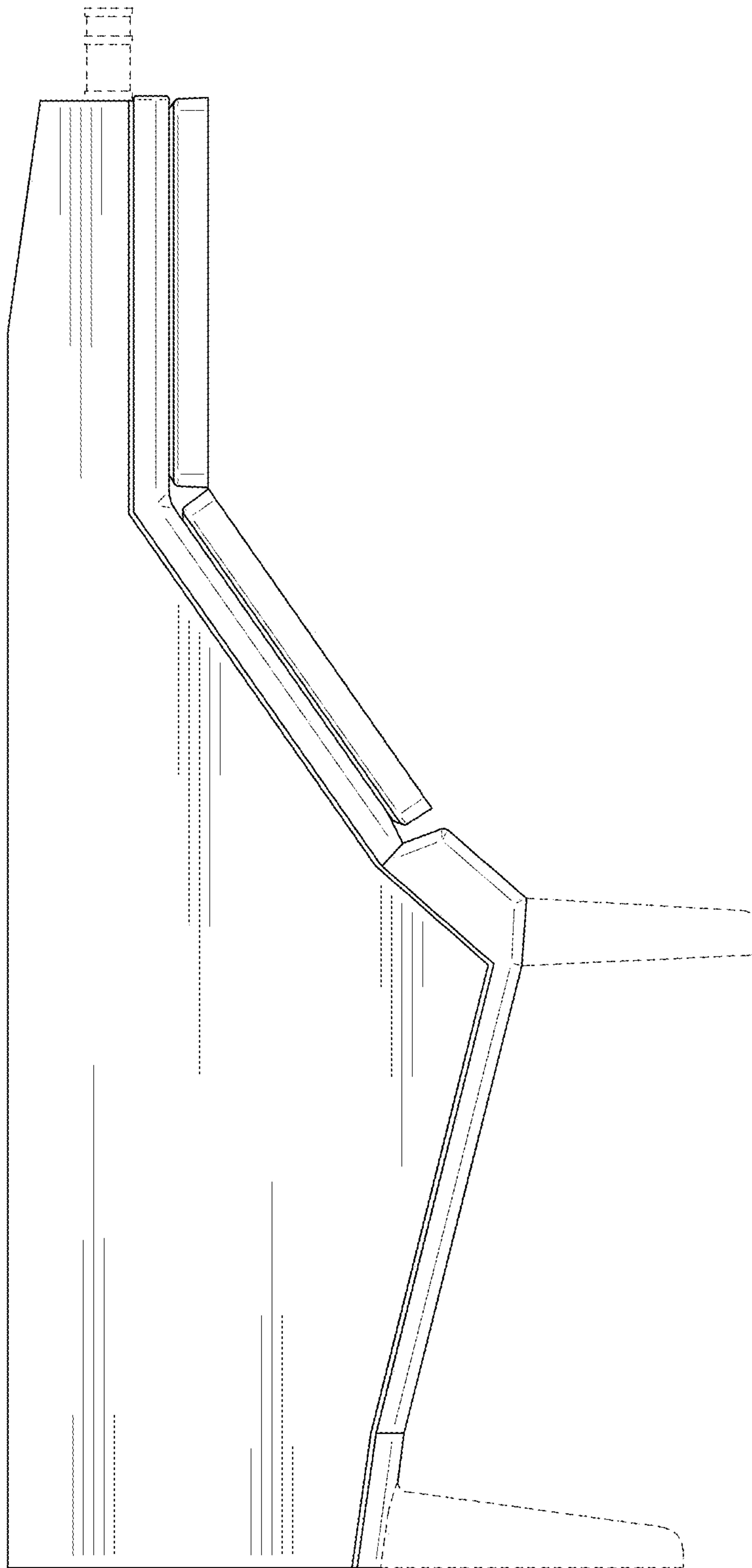


FIG. 5

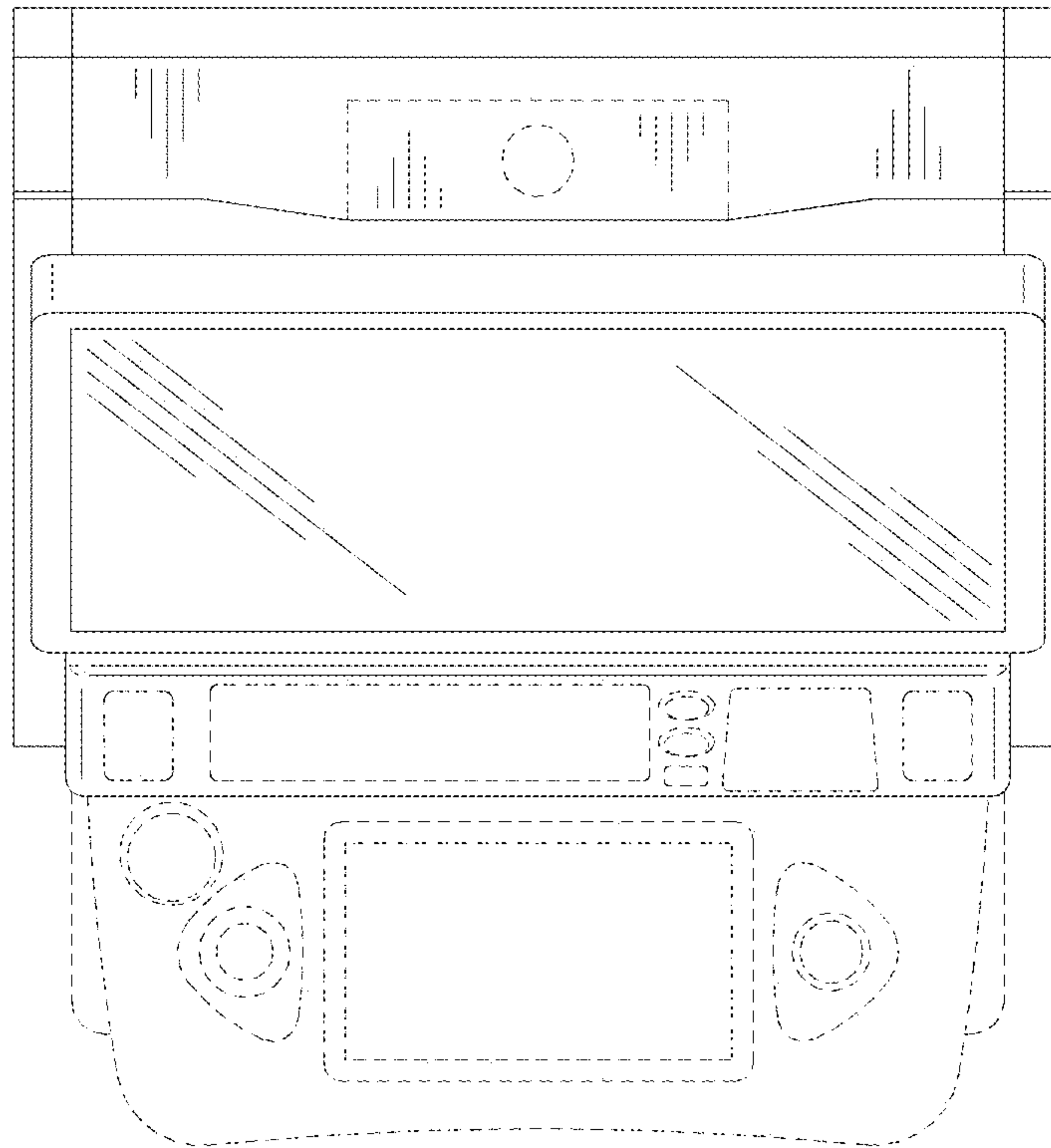


FIG. 6

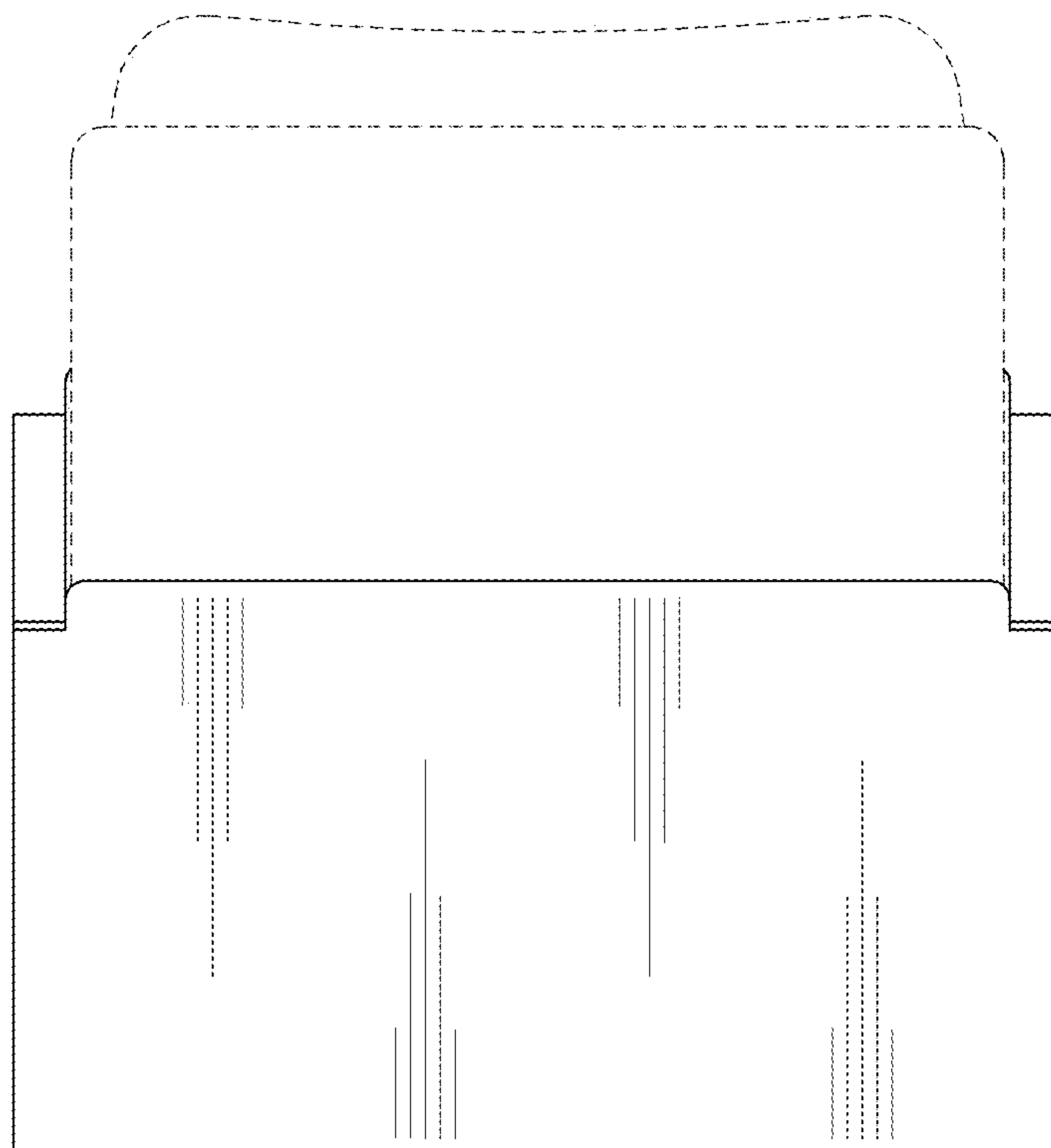


FIG. 7

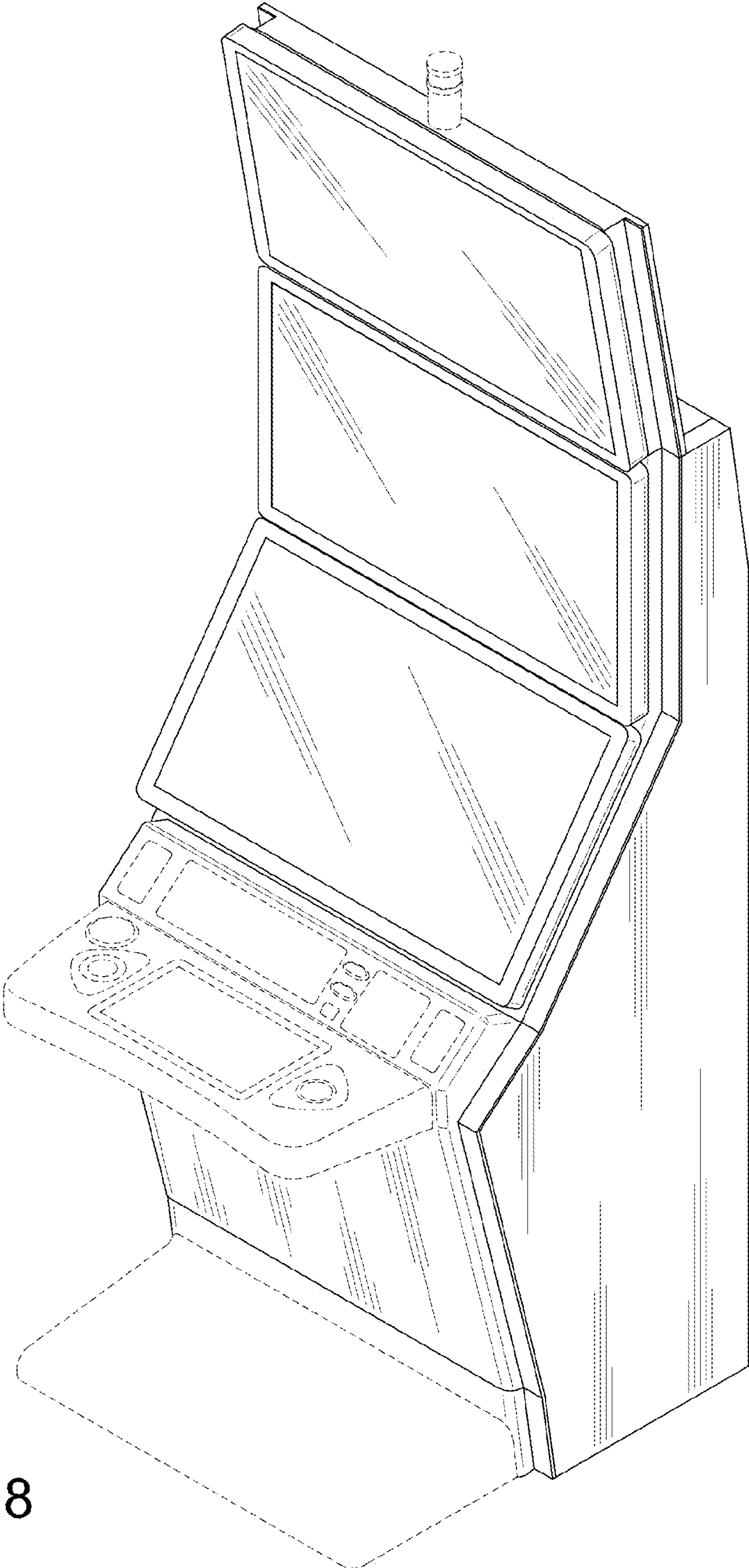


FIG. 8

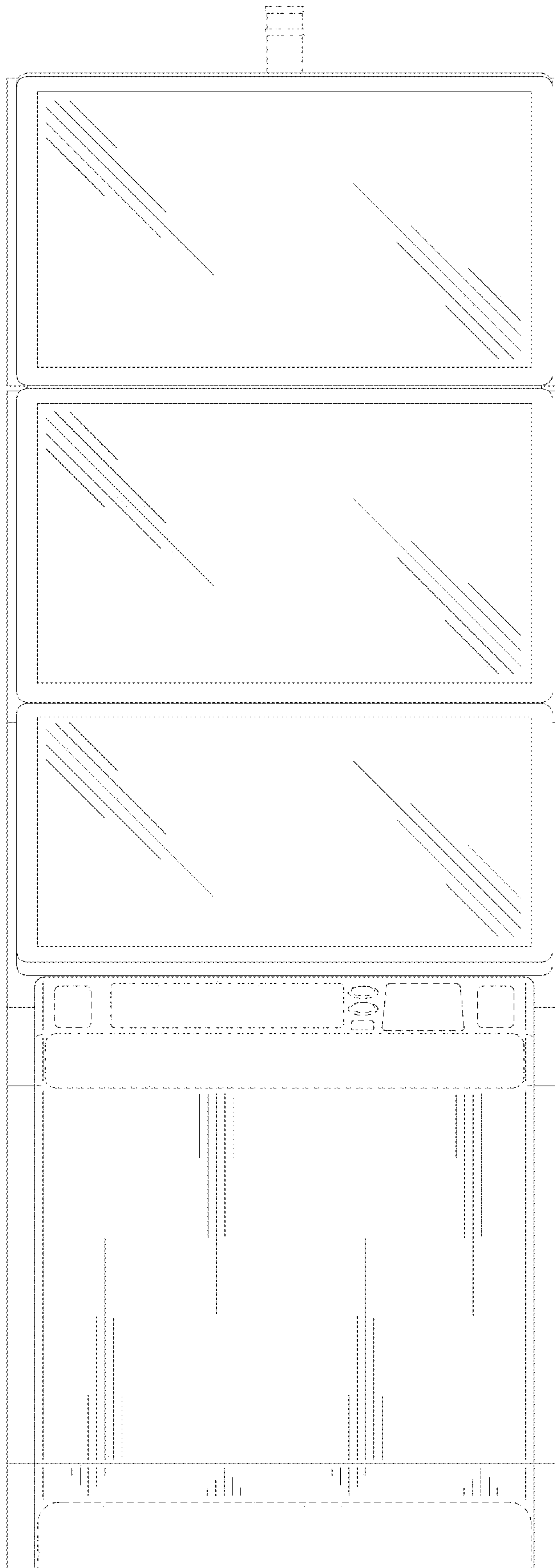


FIG. 9

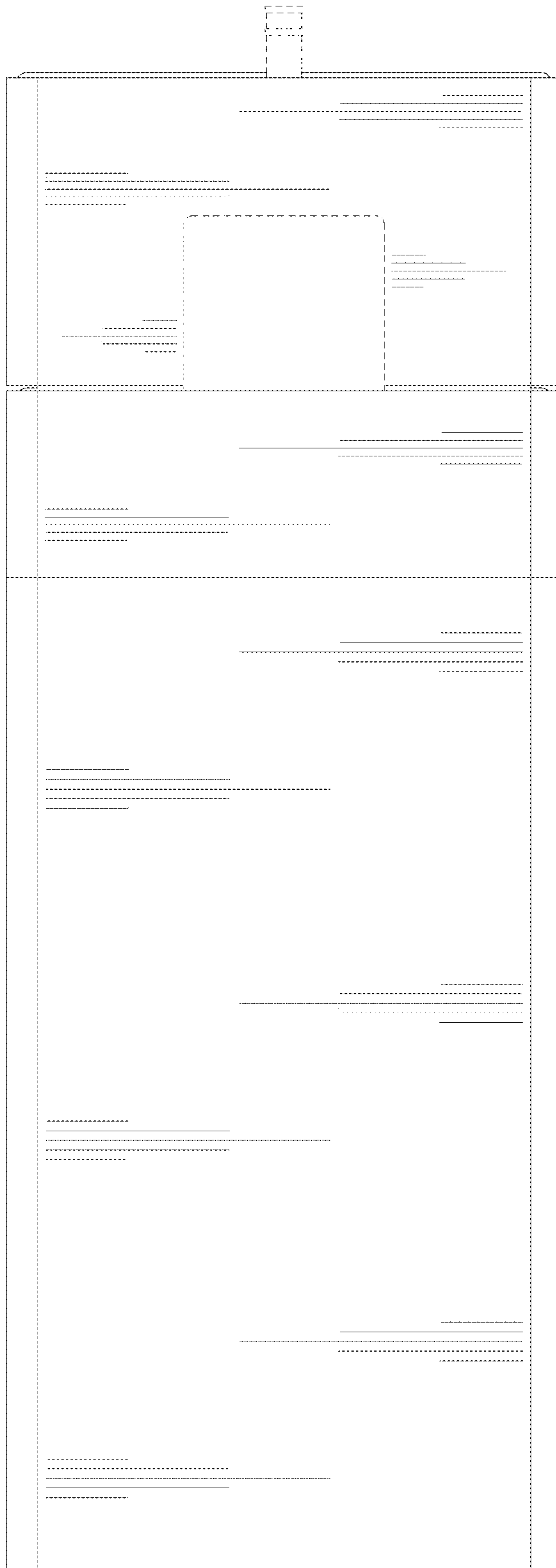


FIG. 10

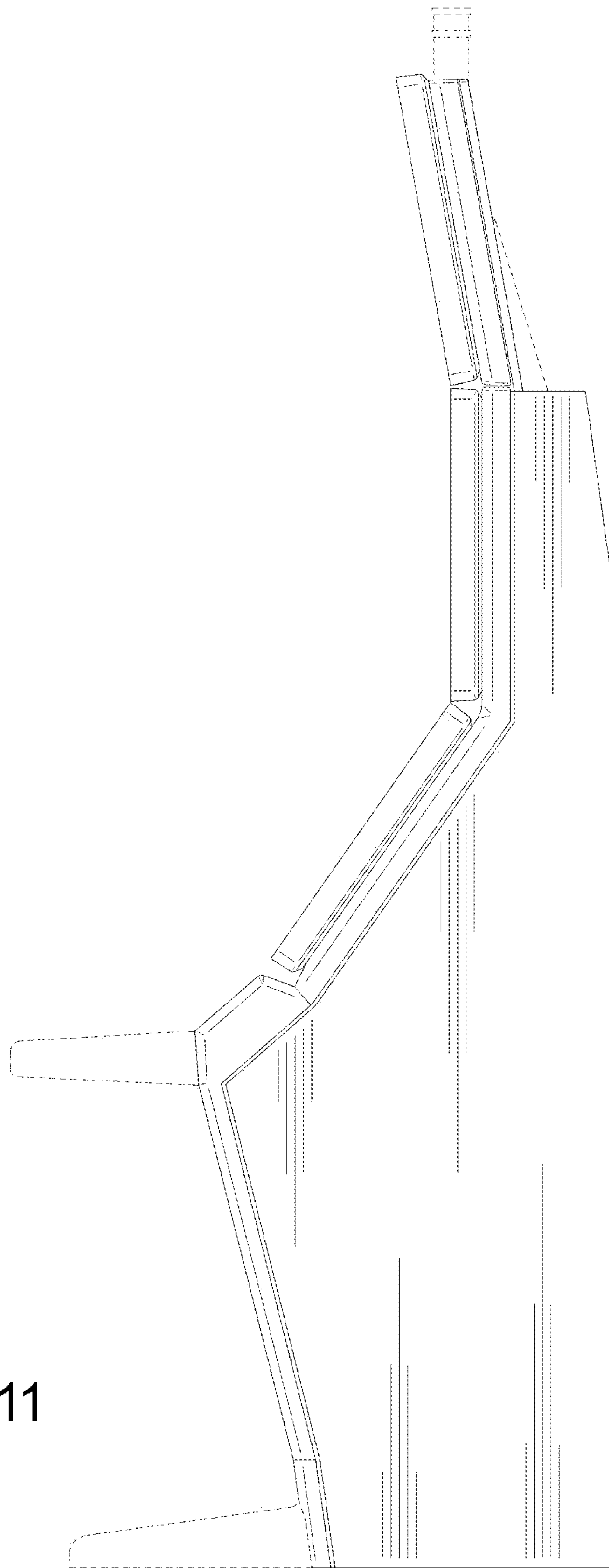


FIG. 11

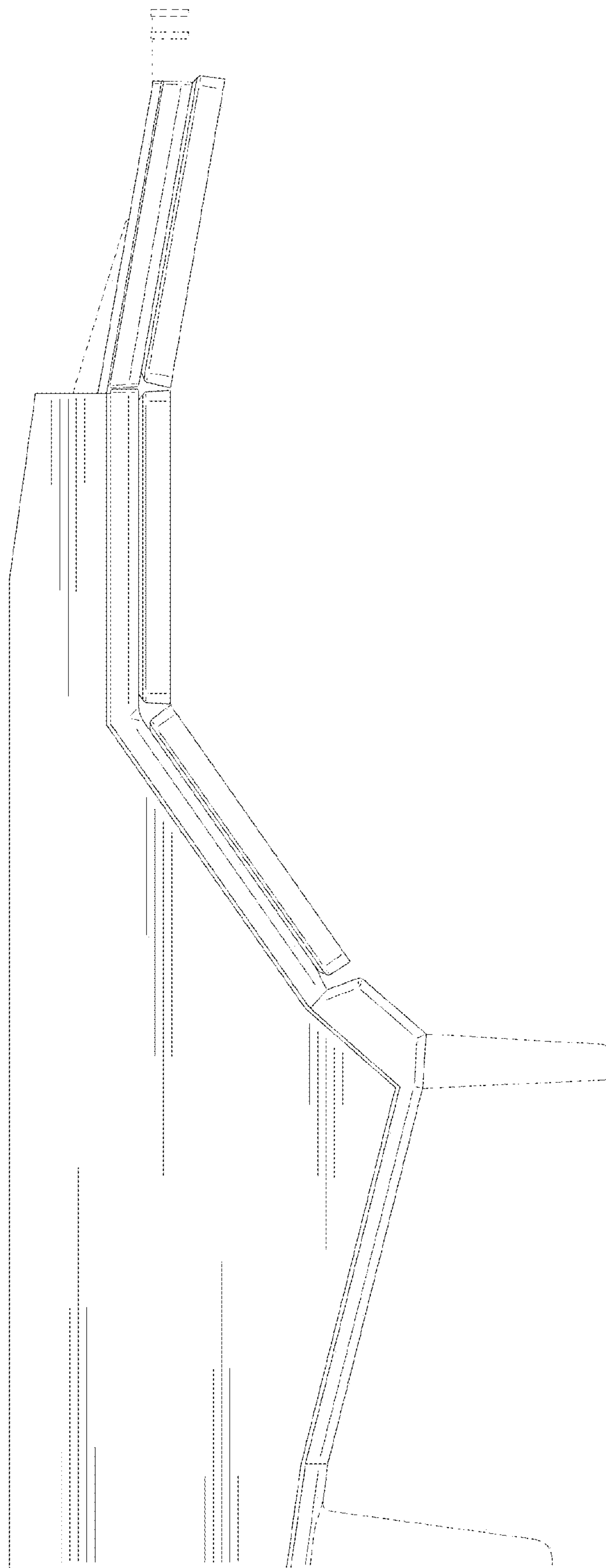


FIG. 12

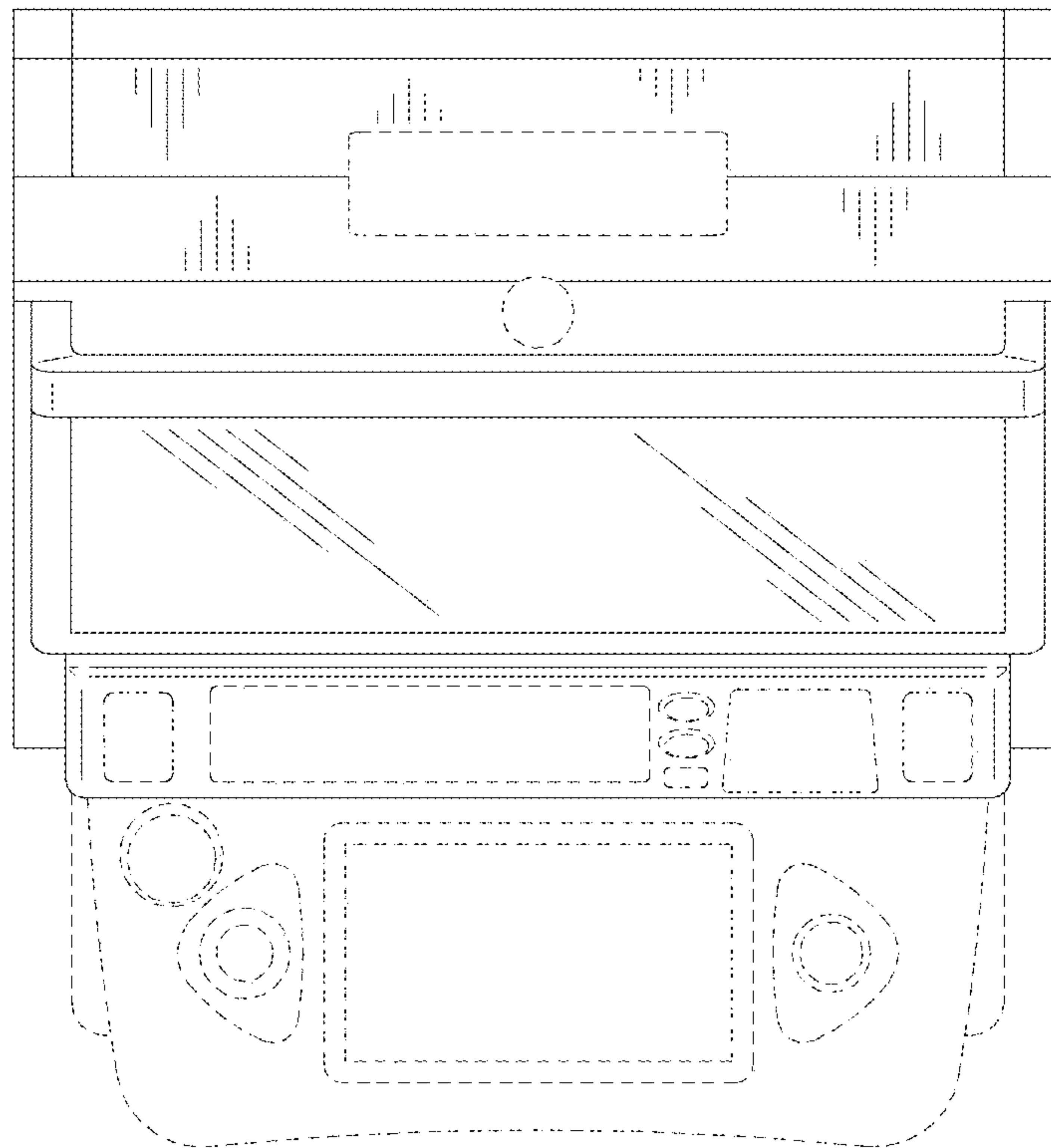


FIG. 13

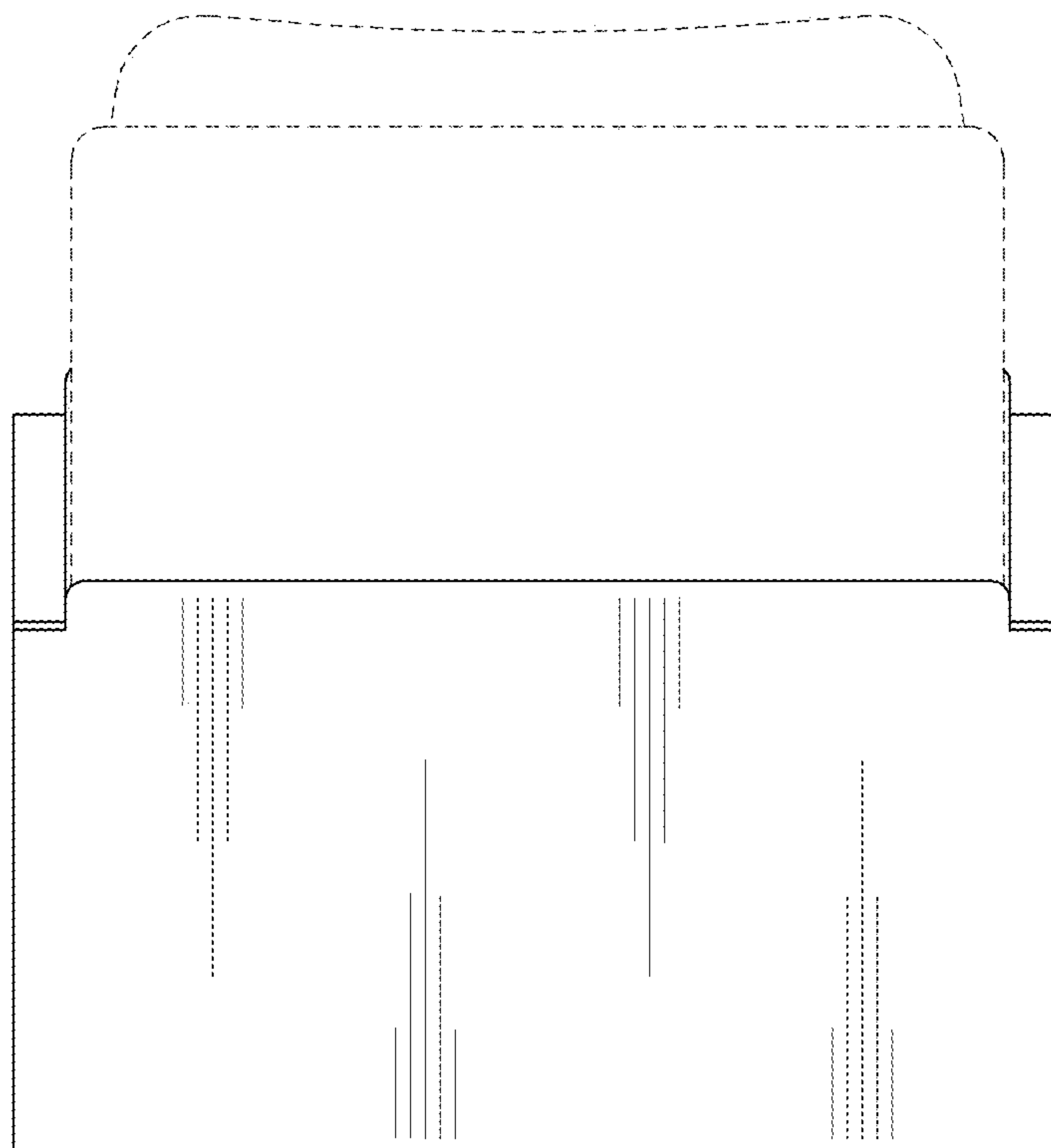


FIG. 14