



US00D931373S

(12) **United States Design Patent** (10) **Patent No.:** **US D931,373 S**  
**Ghahramanian** (45) **Date of Patent:** **\*\* Sep. 21, 2021**

(54) **STEERING WHEEL HAVING PEDAL STAND**

OTHER PUBLICATIONS

(71) Applicant: **Next Level Racing Simulations Pty Ltd**, Southport (AU)  
 (72) Inventor: **Hessam Ghahramanian**, Benowa (AU)  
 (73) Assignee: **NEXT LEVEL RACING SIMULATIONS PTY LTD**, Southport (AU)

“Smarketbuy Racing Wheel Sand for Simulator Cockpit”, posted Jul. 13, 2018, [retrieved Nov. 16, 2020]. Retrieved from Internet, <https://tinyurl.com/y4aumhs9>.  
 “Next Level Racing Wheel Stand DD”, posted Apr. 2020, [retrieved Nov. 16, 2020]. Retrieved from Internet: <https://tinyurl.com/yy9stvac>.

\* cited by examiner

(\*\*) Term: **15 Years**

*Primary Examiner* — Sandra Snapp  
*Assistant Examiner* — Mehri Bajoul

(21) Appl. No.: **29/716,192**

(74) *Attorney, Agent, or Firm* — Ferguson Case Orr Paterson

(22) Filed: **Dec. 6, 2019**

(30) **Foreign Application Priority Data**

(57) **CLAIM**

Jun. 7, 2019 (AU) ..... 201913162

The ornamental design for a steering wheel having pedal stand, as shown.

(51) **LOC (13) Cl.** ..... **21-01**

(52) **U.S. Cl.**  
USPC ..... **D21/326**

(58) **Field of Classification Search**  
 USPC ..... D21/325, 326, 327, 329, 333, 349, D21/351–355, 366, 369, 370, 371, 385, D21/426, 427, 430, 471, 695, 696, 814; 472/59; 434/55; D6/334, 335, 356, 366, D6/368, 716; D12/112, 861  
 CPC ..... A63F 13/08; A63F 13/803; A63F 13/28; G09B 9/12; A47C 1/026; A47C 1/143; A47C 7/72; A47C 7/5068  
 See application file for complete search history.

**DESCRIPTION**

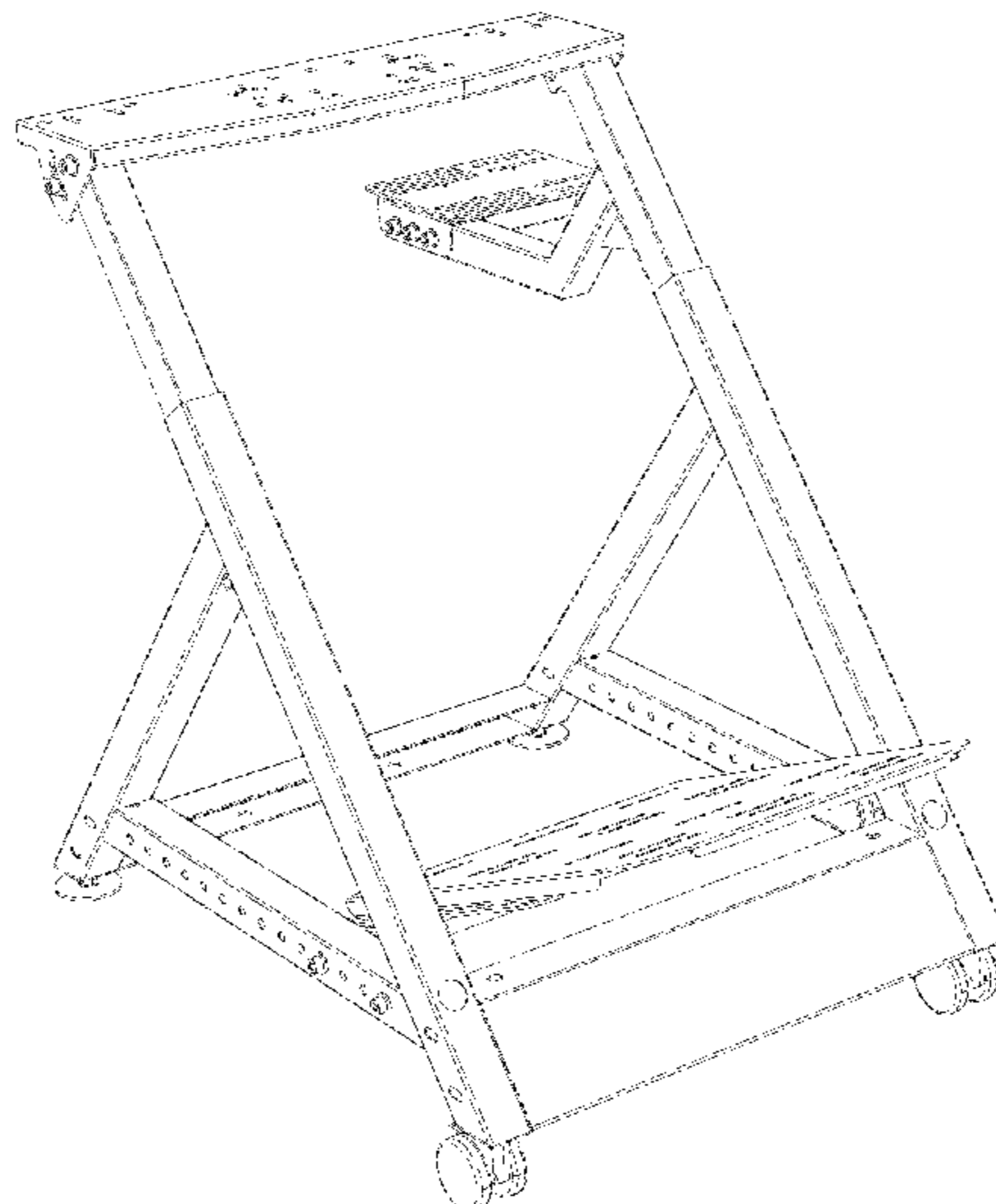
FIG. 1 is a top, front, left side perspective view of a steering wheel having pedal stand according to the present disclosure;  
 FIG. 2 is a top, rear, right side perspective view of the steering wheel having pedal stand shown in FIG. 1;  
 FIG. 3 is a front elevation view of the steering wheel having pedal stand shown in FIG. 1;  
 FIG. 4 is a rear elevation view of the steering wheel having pedal stand shown in FIG. 1;  
 FIG. 5 is a right side elevation view of the steering wheel having pedal stand shown in FIG. 1;  
 FIG. 6 is a left side elevation view of the steering wheel having pedal stand shown in FIG. 1;  
 FIG. 7 is a top plan view of the steering wheel having pedal stand shown in FIG. 1; and,  
 FIG. 8 is a bottom plan view of steering wheel having pedal stand shown in FIG. 1.

(56) **References Cited**

U.S. PATENT DOCUMENTS

D318,756 S \* 8/1991 Schulle ..... D3/26  
 D510,391 S \* 10/2005 Merril ..... D21/324  
 D615,596 S \* 5/2010 Bik ..... D21/333  
 D656,553 S \* 3/2012 Blaskov ..... D21/326  
 9,052,057 B2 \* 6/2015 Stenhouse ..... F16M 11/38  
 D855,338 S \* 8/2019 Mengshoel ..... D6/349  
 D856,020 S \* 8/2019 Ghahramanian ..... D6/367

**1 Claim, 7 Drawing Sheets**



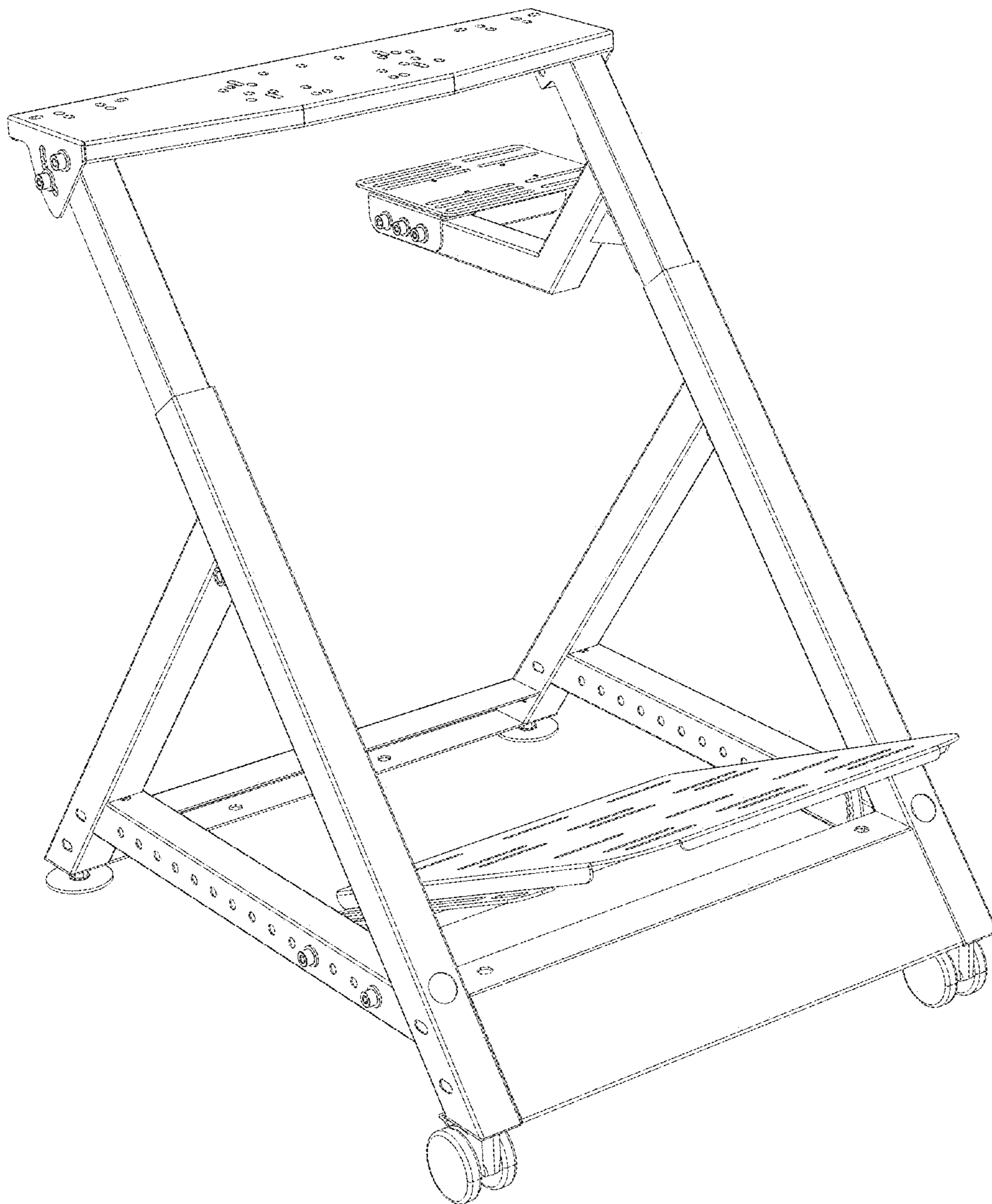


FIG. 1

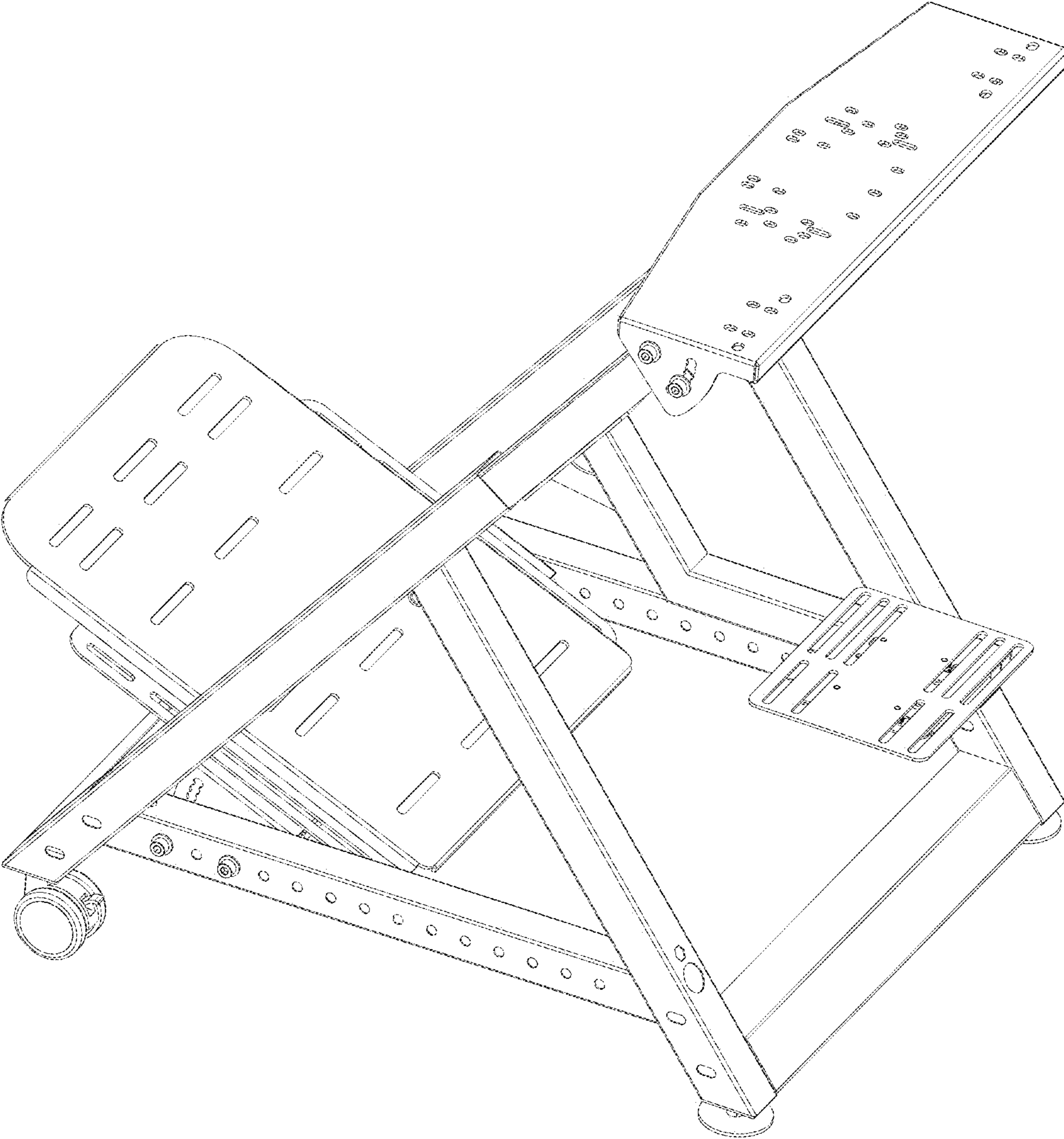


FIG. 2

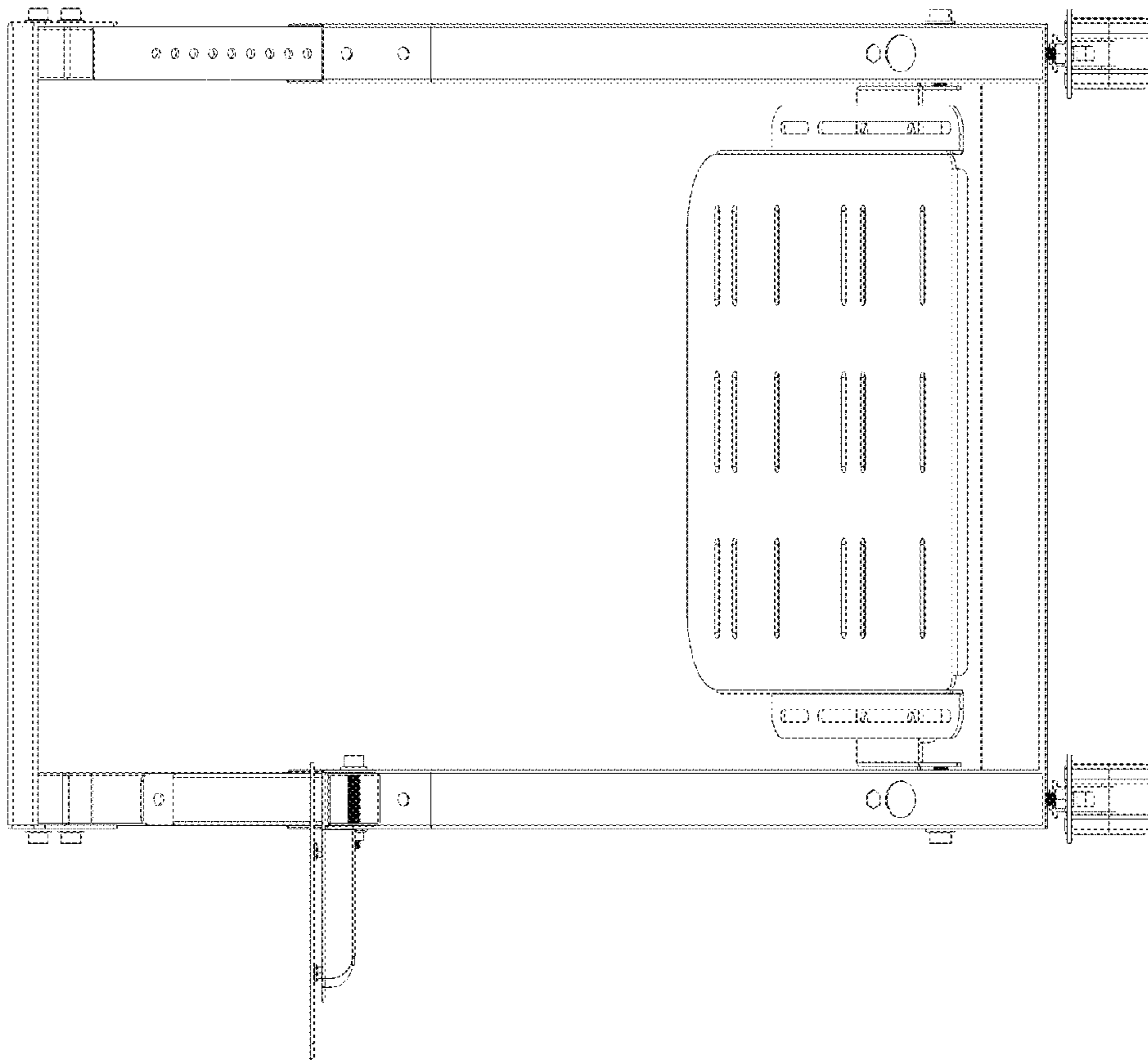


FIG. 3

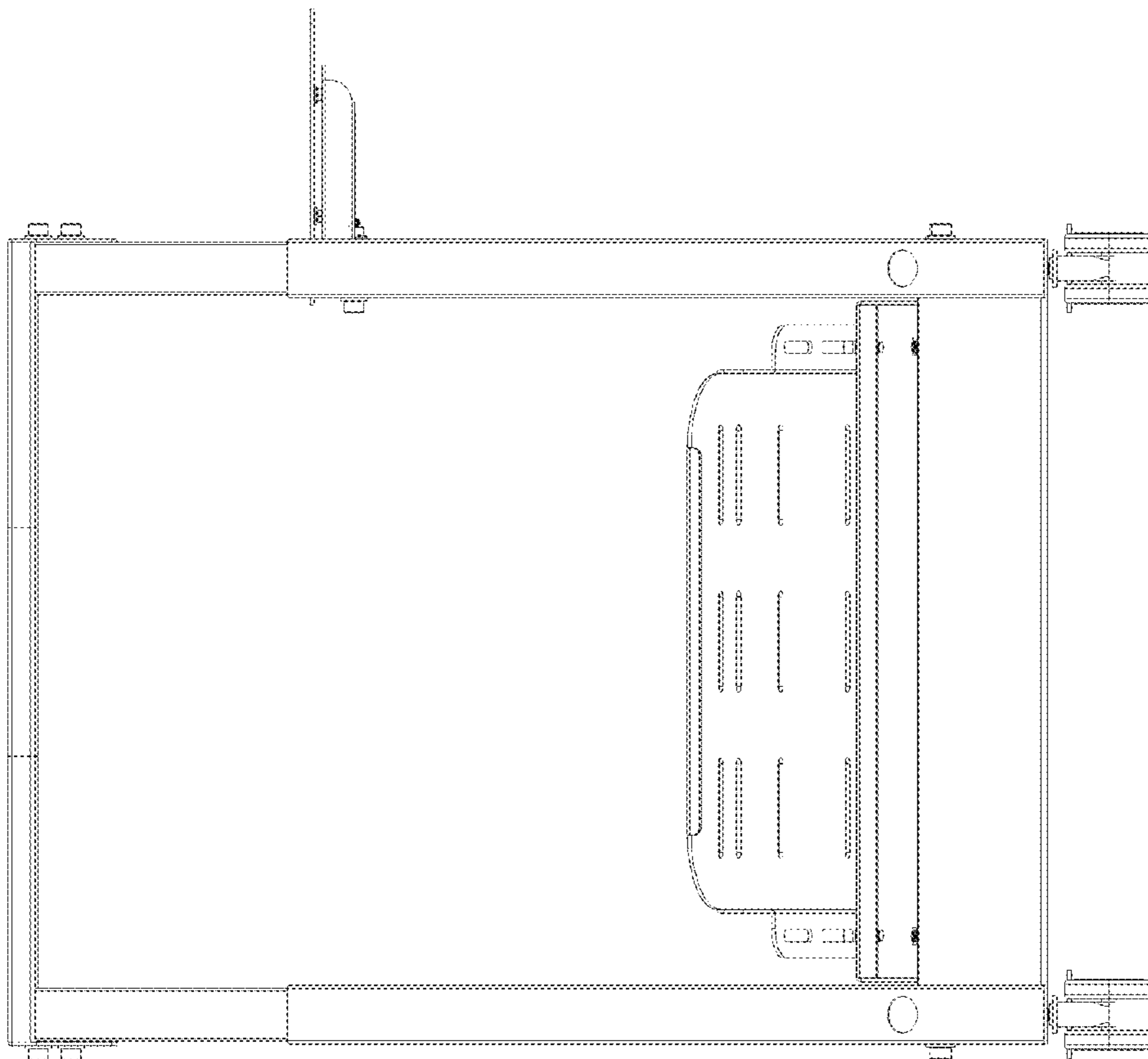


FIG. 4

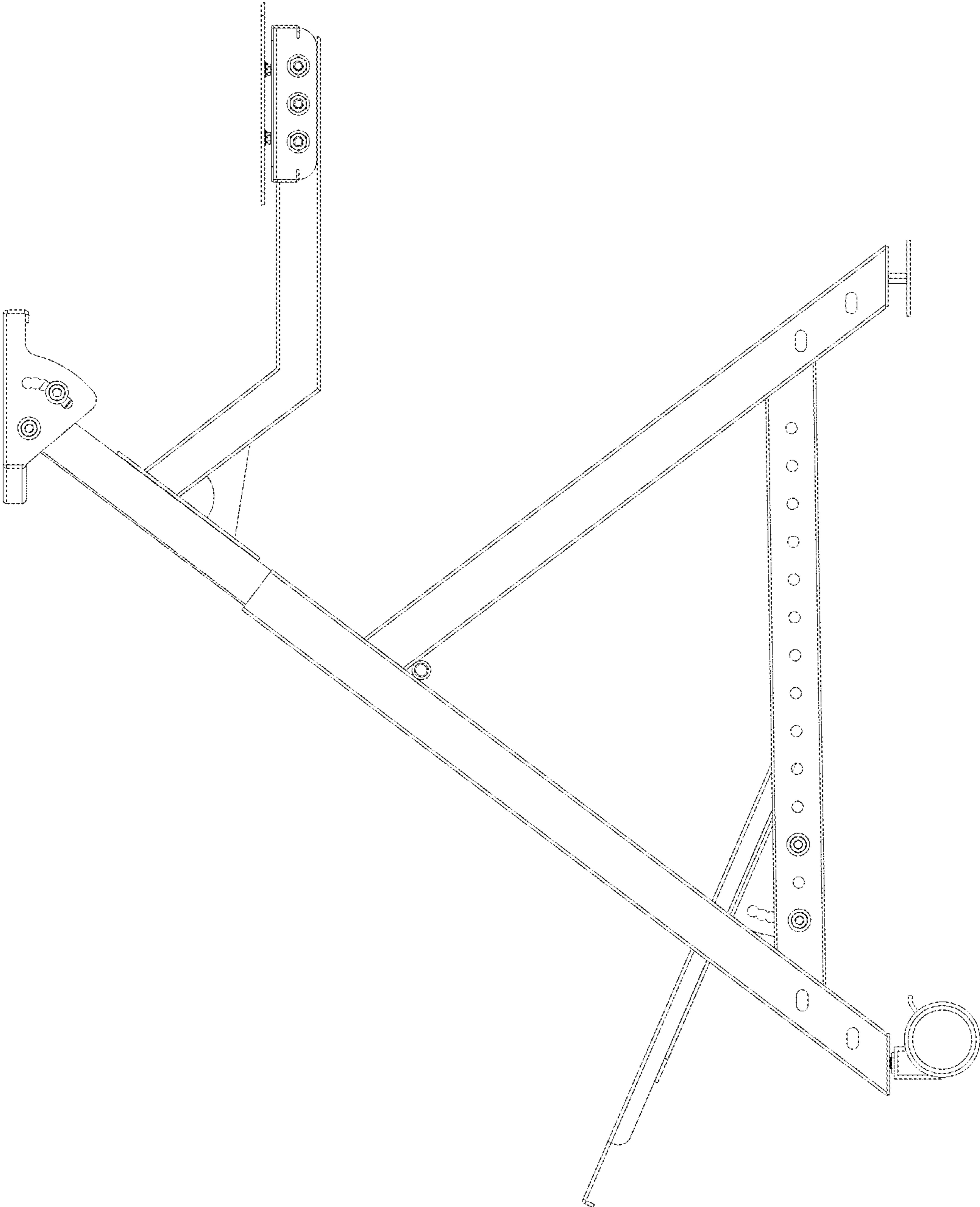


FIG. 5

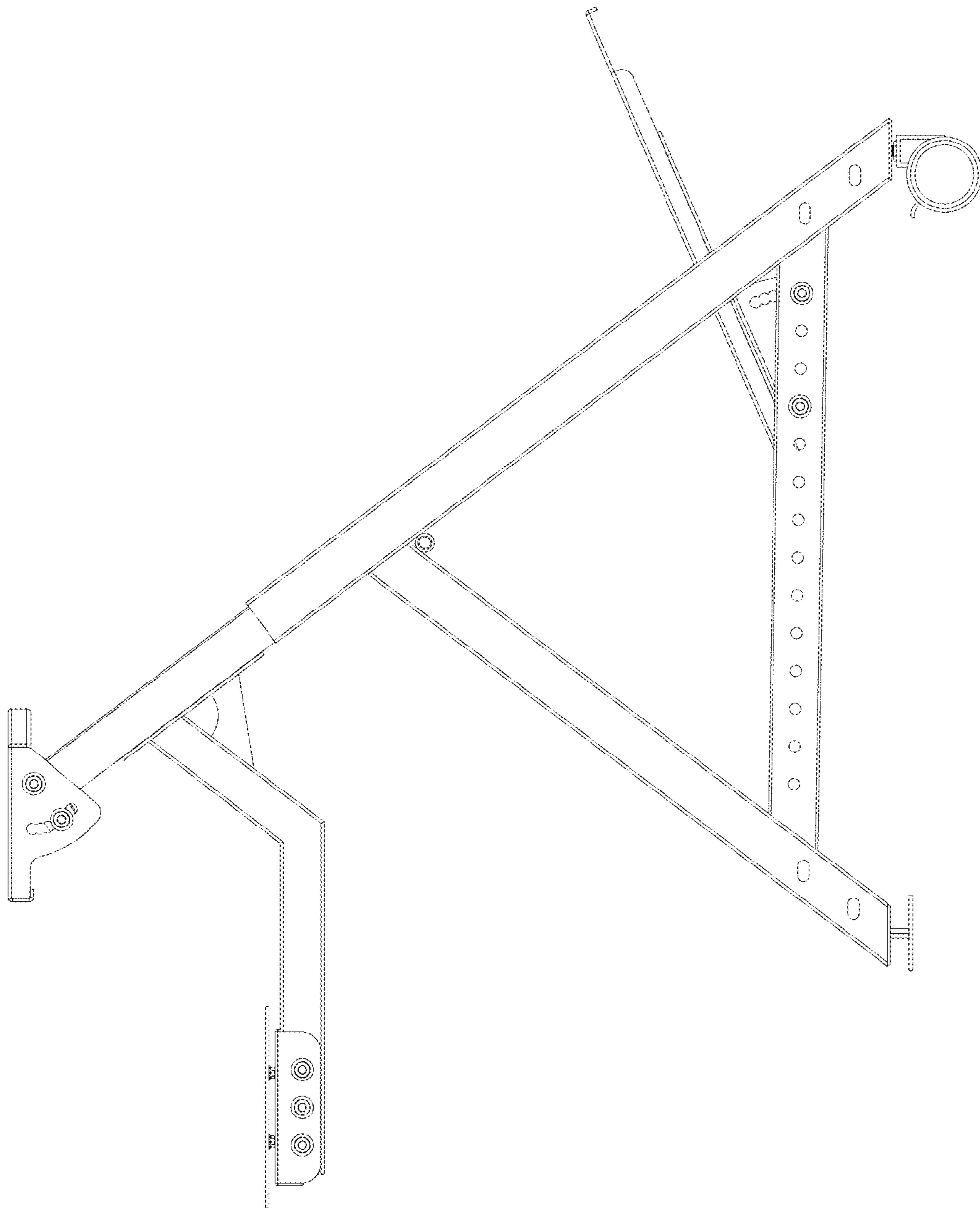


FIG. 6

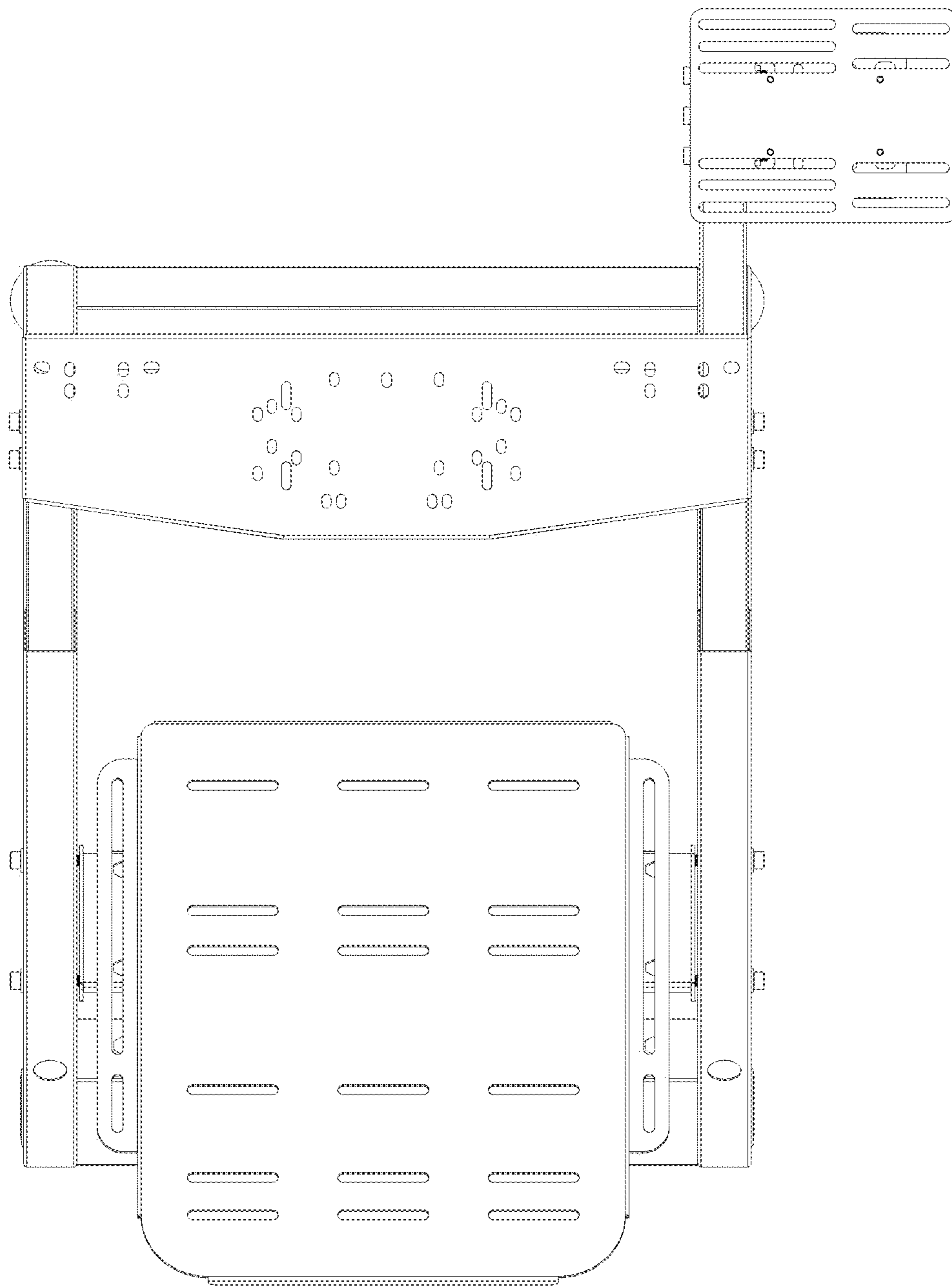


FIG. 7

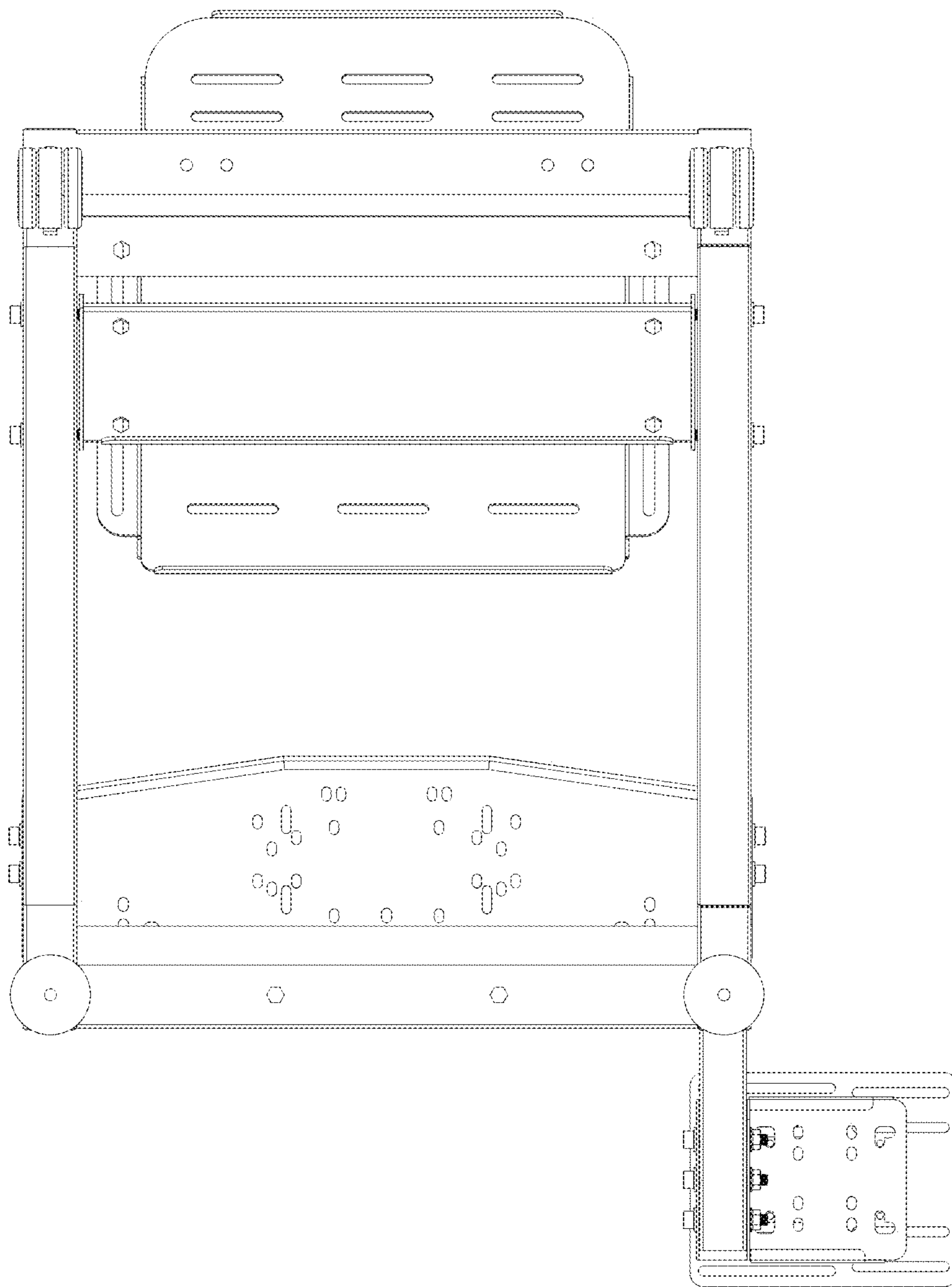


FIG. 8