



US00D931372S

(12) **United States Design Patent** (10) **Patent No.:** **US D931,372 S**
Zhong (45) **Date of Patent:** **** Sep. 21, 2021**

(54) **TARGET TOY SET** 5,743,534 A * 4/1998 Pan F41J 3/00
273/371
(71) Applicant: **Shenzhen Lingtuowan Technology** D398,037 S * 9/1998 Drewes D21/308
Co., Ltd., Shenzhen (CN) 5,967,520 A * 10/1999 Chen F41J 3/0057
273/348.3
(72) Inventor: **Fuli Zhong, Shenzhen (CN)** D453,360 S * 2/2002 Pan D21/308
D524,379 S * 7/2006 Law D21/302
D694,340 S * 11/2013 Laporte D21/302
(73) Assignee: **Shenzhen Lingtuowan Technology** D720,016 S * 12/2014 McDowell D21/302
Co., Ltd., Shenzhen (CN) D764,623 S 8/2016 Swift
9,585,465 B2 * 3/2017 Vasquez A46B 11/063
(**) Term: **15 Years** (Continued)

(21) Appl. No.: **29/765,065**

(22) Filed: **Jan. 5, 2021**

(30) **Foreign Application Priority Data**

Dec. 15, 2020 (EM) 008323786

(51) **LOC (13) Cl.** **21-01**

(52) **U.S. Cl.**
USPC **D21/302**

(58) **Field of Classification Search**
USPC D21/302, 304, 305, 307, 308, 313, 314,
D21/334, 336, 337, 341, 342, 362, 387,
D21/570, 699, 703, 746, 790; D4/116,
D4/117, 119, 120, 127, 129, 130,
D4/132-138, 199
CPC F41J 3/00; F42B 6/02; F42B 6/006; F42B
6/04

See application file for complete search history.

(56) **References Cited**

U.S. PATENT DOCUMENTS

2,899,204 A * 8/1959 Ratay F41J 1/10
273/392
D289,532 S * 4/1987 Ivie D21/362
D370,259 S * 5/1996 Teich D21/306
5,531,656 A * 7/1996 Varghese A47D 13/105
297/274

Primary Examiner — Sandra Snapp
Assistant Examiner — Mehri Bajoul
(74) *Attorney, Agent, or Firm* — ScienBiziP, P.C.

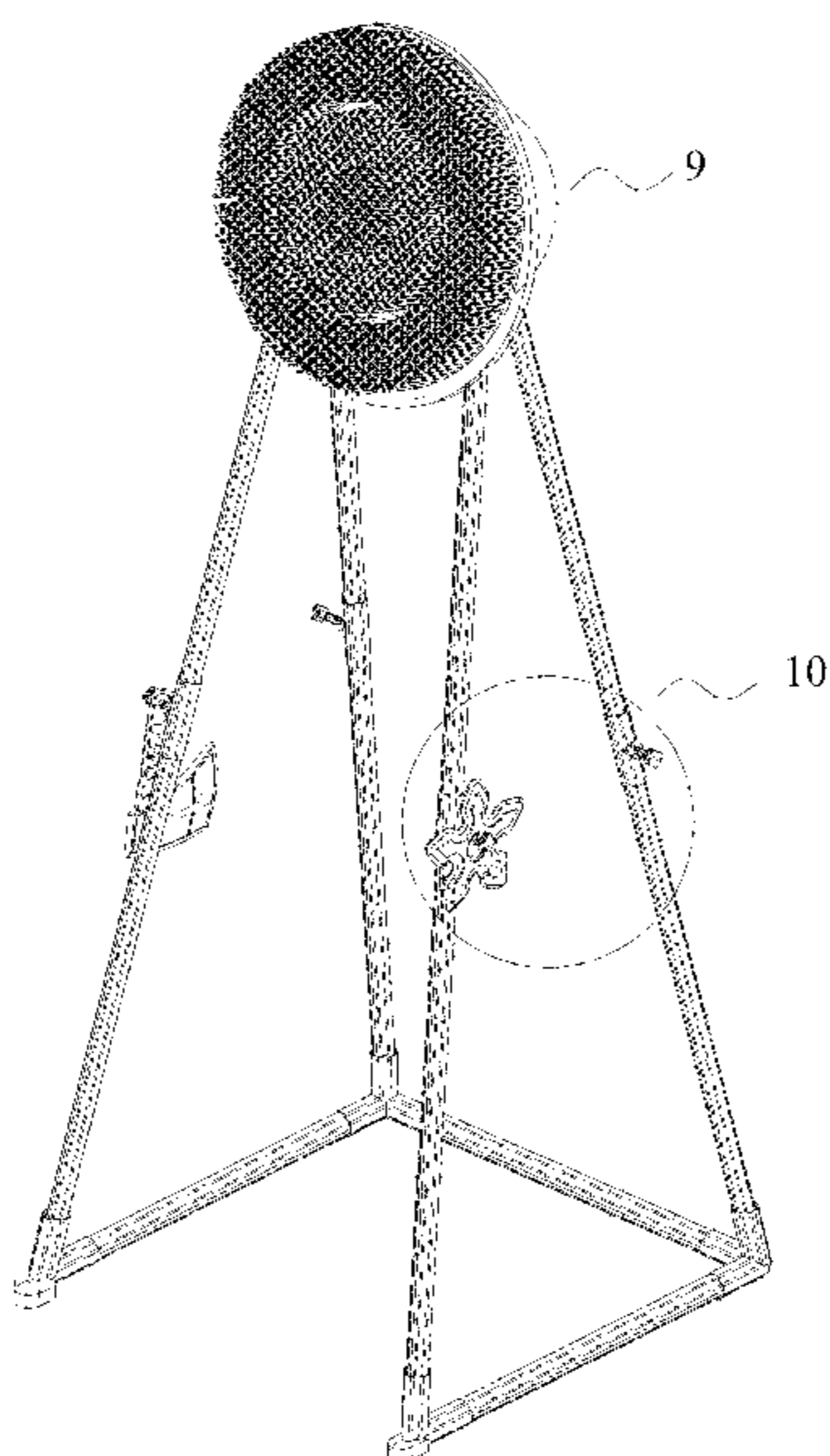
(57) **CLAIM**

The ornamental design for a target toy set, as shown and described.

DESCRIPTION

FIG. 1 is a front perspective view of a target toy set, showing my design.
FIG. 2 is a rear perspective view thereof.
FIG. 3 is a front elevation view thereof.
FIG. 4 is a rear elevation view thereof.
FIG. 5 is a left side elevation view thereof.
FIG. 6 is a right side elevation view thereof.
FIG. 7 is a top plan view thereof.
FIG. 8 is a bottom plan view thereof.
FIG. 9 is an enlarged view of an area labeled 9 in FIG. 1.
FIG. 10 is an enlarged view of an area labeled 10 in FIG. 1.
FIG. 11 is an enlarged view of an area labeled 11 in FIG. 2; and,
FIG. 12 is an enlarged view of an area labeled 12 in FIG. 2.
The evenly dash-dash broken line depicts portions of the target toy set that forms no part of the claimed design. The long-short dash lines illustrates magnified portions and form no part of the claimed design.

1 Claim, 12 Drawing Sheets



(56)

References Cited

U.S. PATENT DOCUMENTS

D851,613 S * 6/2019 Johanson D13/182
D872,181 S * 1/2020 Engler D21/302
10,533,828 B2 * 1/2020 Oliphant F41J 1/10
D875,833 S * 2/2020 Fairchild D21/302
D882,719 S * 4/2020 Peelgrane D22/113
D917,003 S * 4/2021 Howard D22/113
2002/0070501 A1 * 6/2002 Shao F41J 5/04
273/371
2002/0158414 A1 * 10/2002 Yiu F41J 3/00
273/408
2003/0060309 A1 * 3/2003 Smith, IV A63B 69/0002
473/431
2007/0063446 A1 * 3/2007 Pan F41J 5/00
273/371
2009/0134581 A1 * 5/2009 Box F41J 3/0004
273/403
2010/0259009 A1 * 10/2010 Huang F41J 5/052
273/374
2010/0292033 A1 * 11/2010 Sarver A63B 63/00
473/431
2012/0161396 A1 * 6/2012 Munn F41J 5/00
273/348
2015/0069709 A1 * 3/2015 Doria F41J 1/10
273/407
2016/0327377 A1 * 11/2016 Flynn F41J 5/24

* cited by examiner

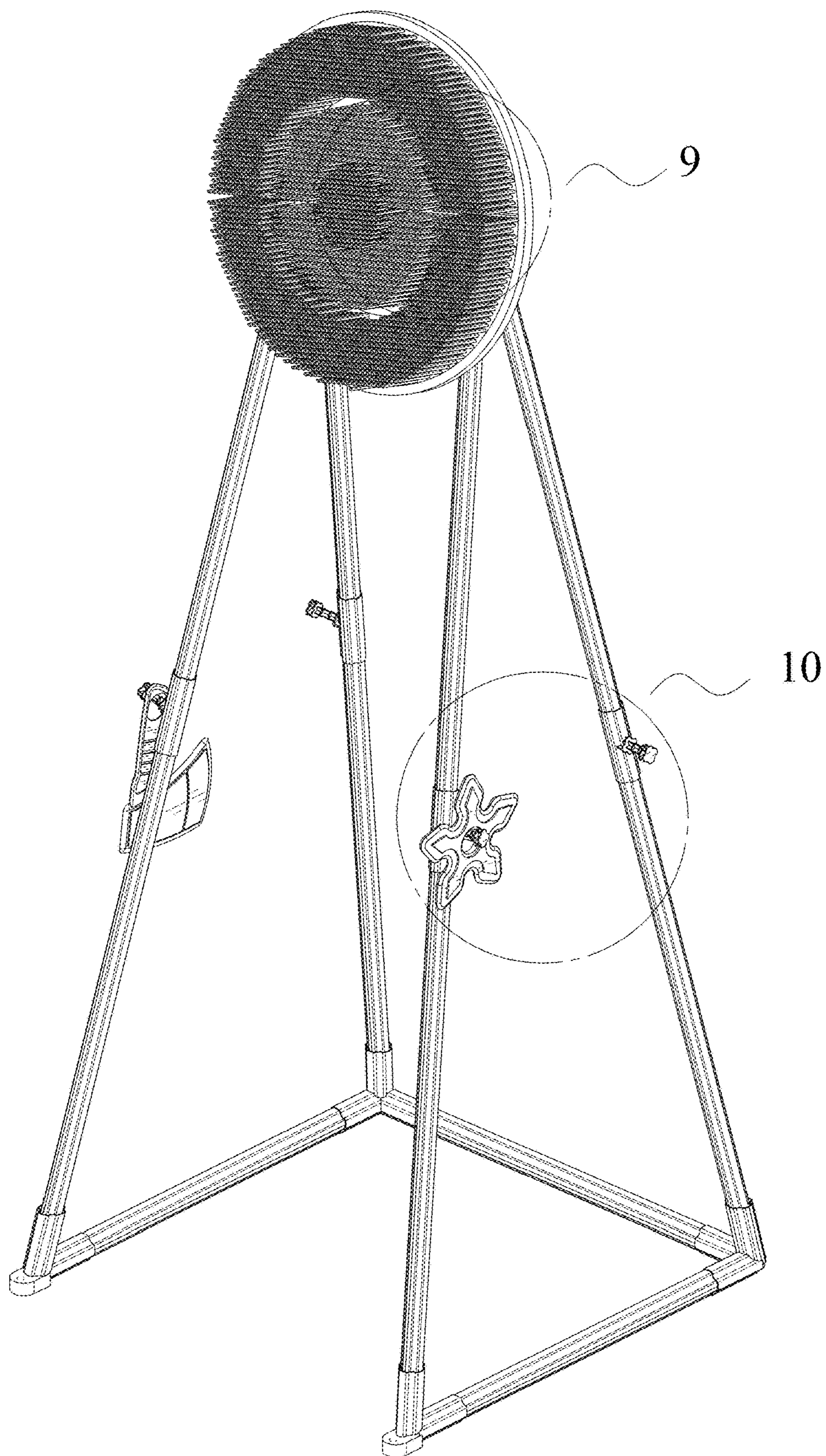


FIG. 1

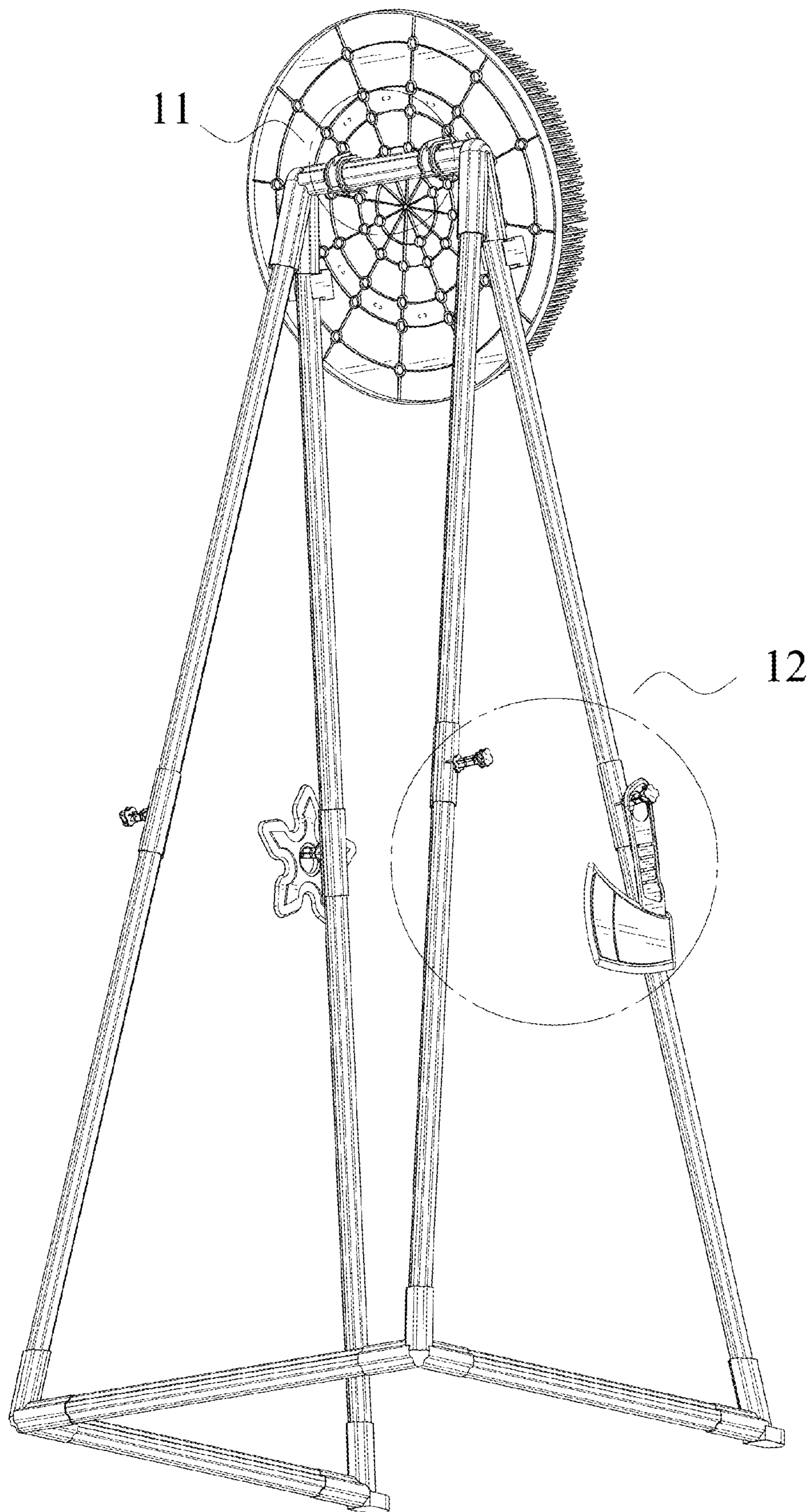


FIG. 2

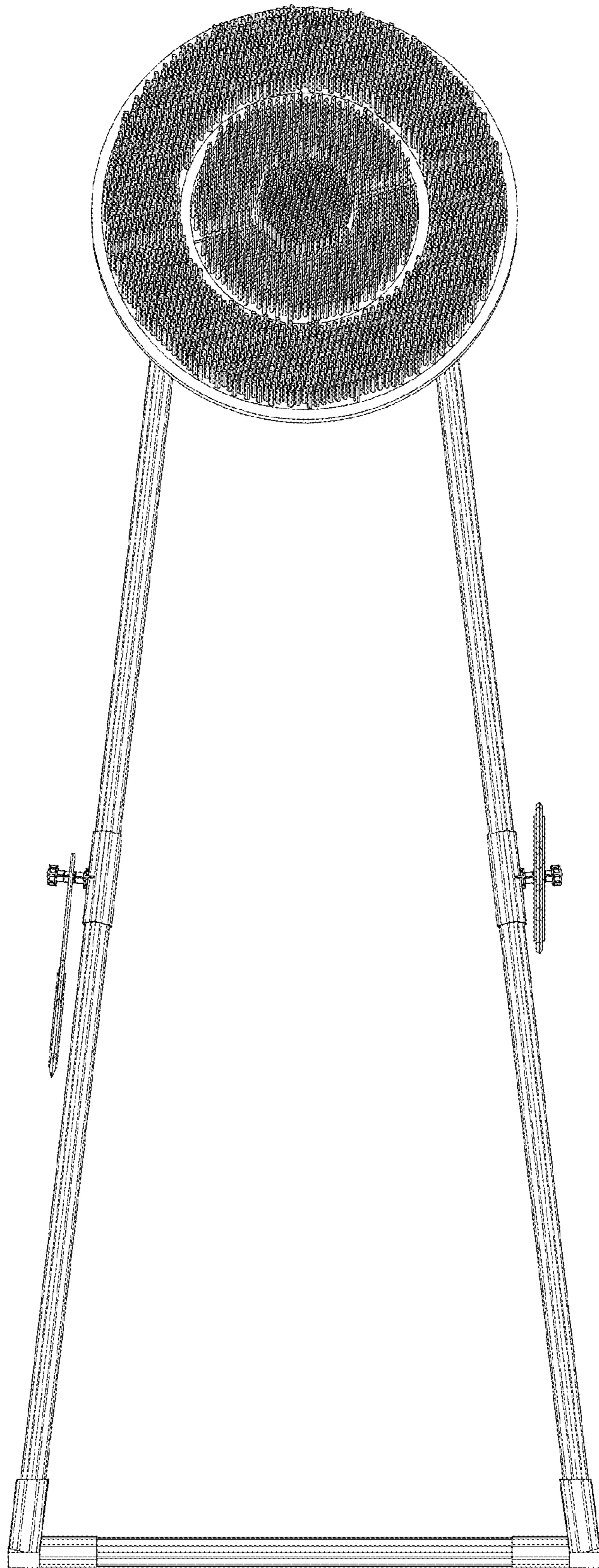


FIG. 3

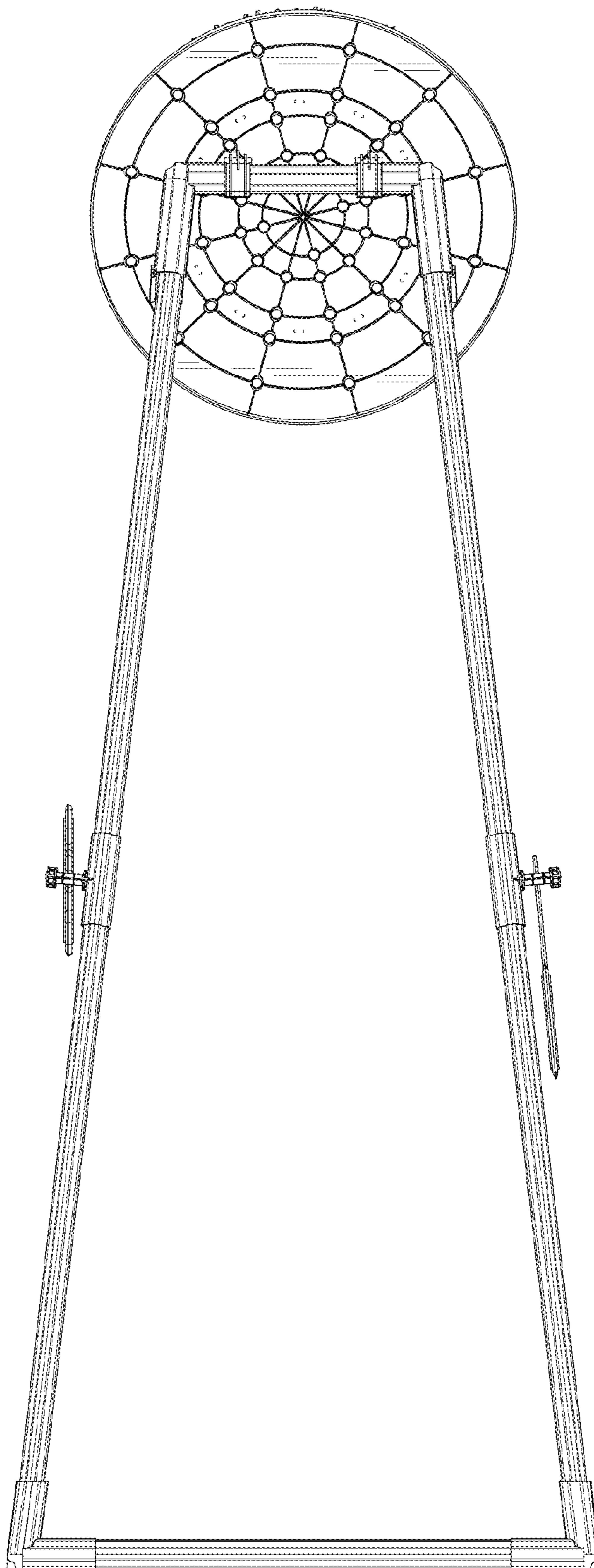


FIG. 4

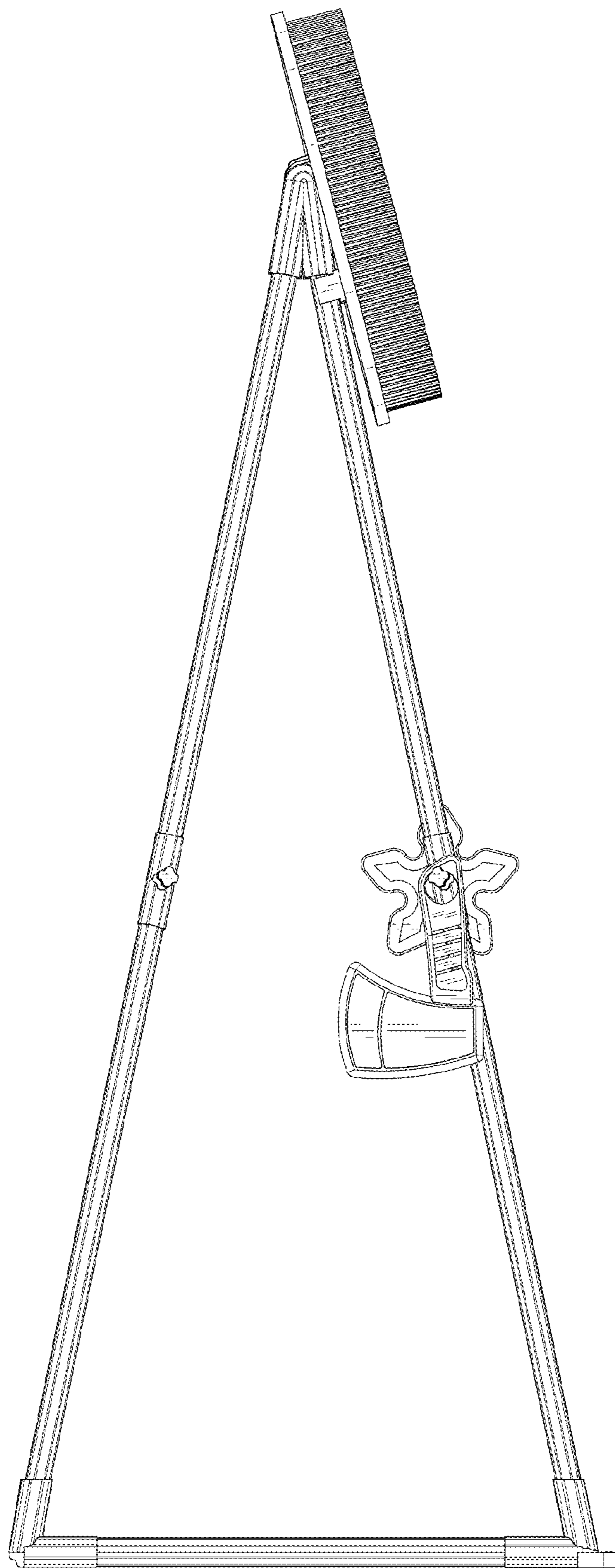


FIG. 5

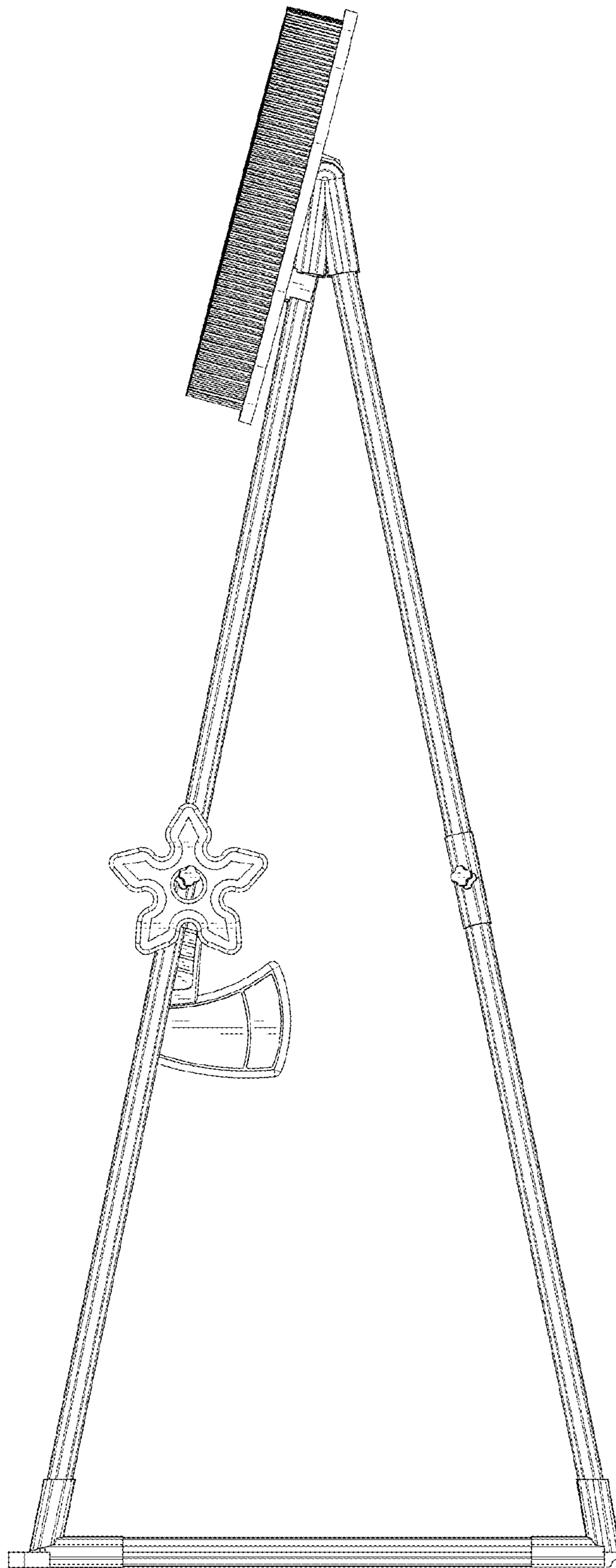


FIG. 6

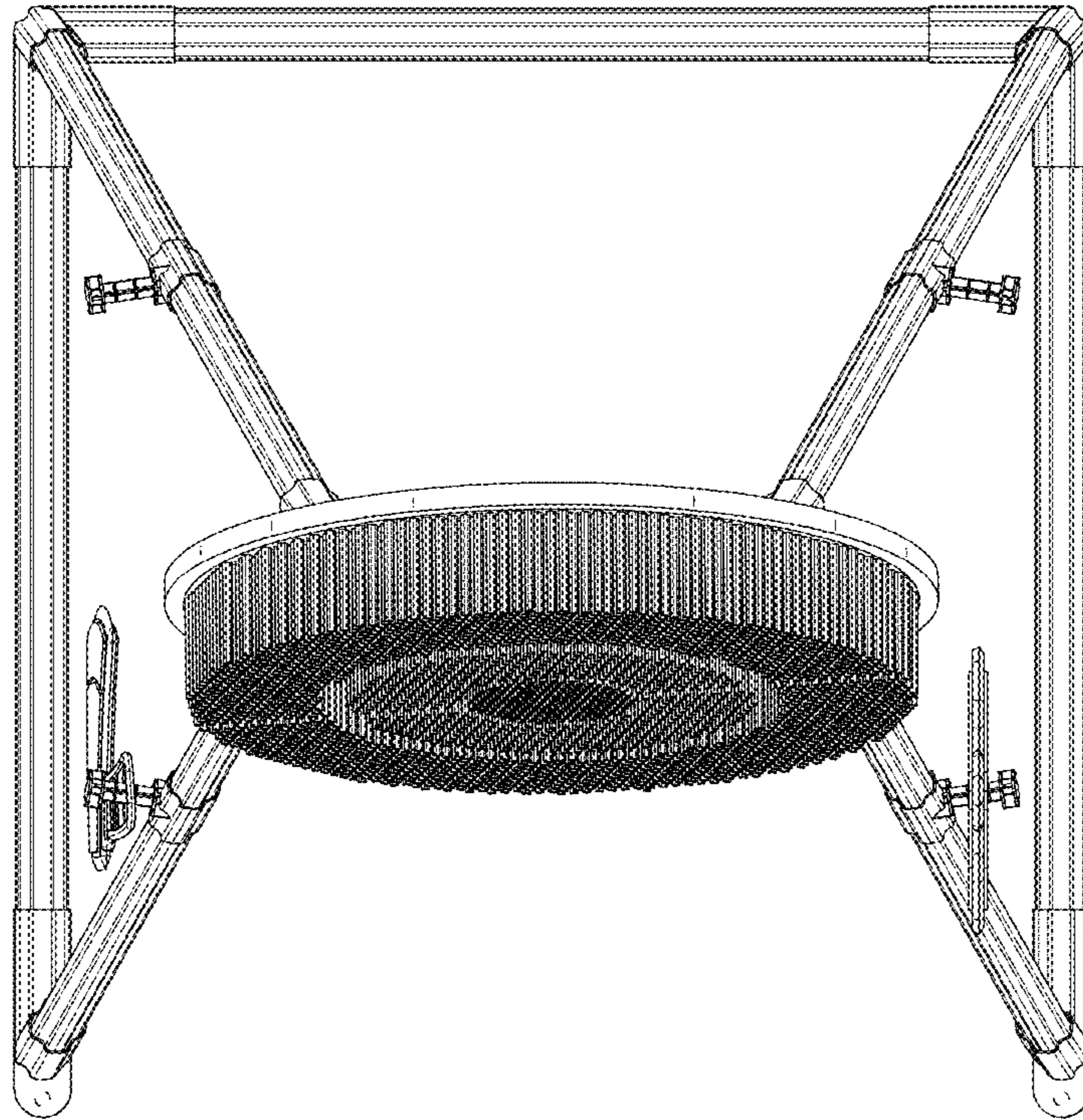


FIG. 7

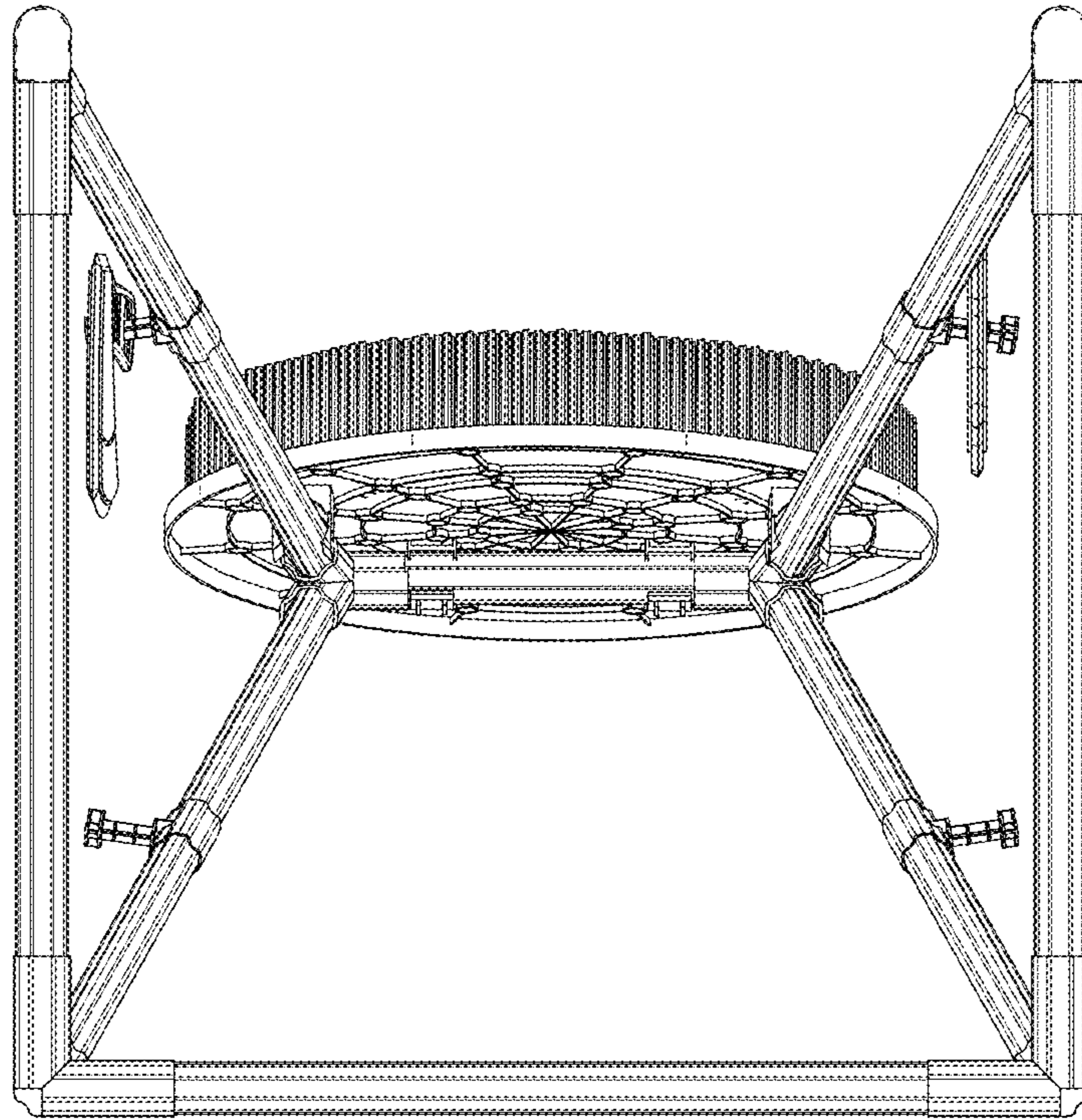


FIG. 8

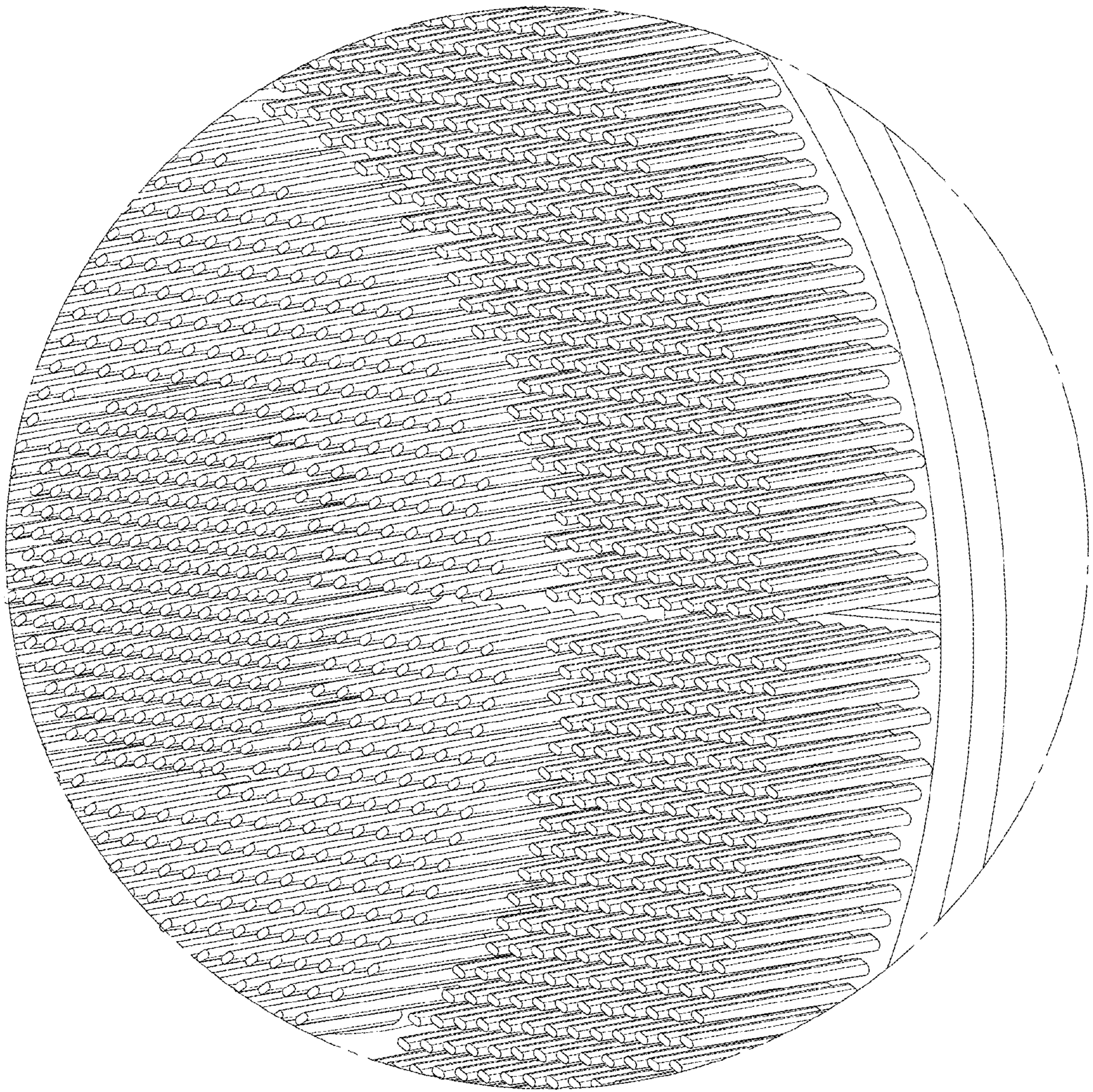


FIG. 9

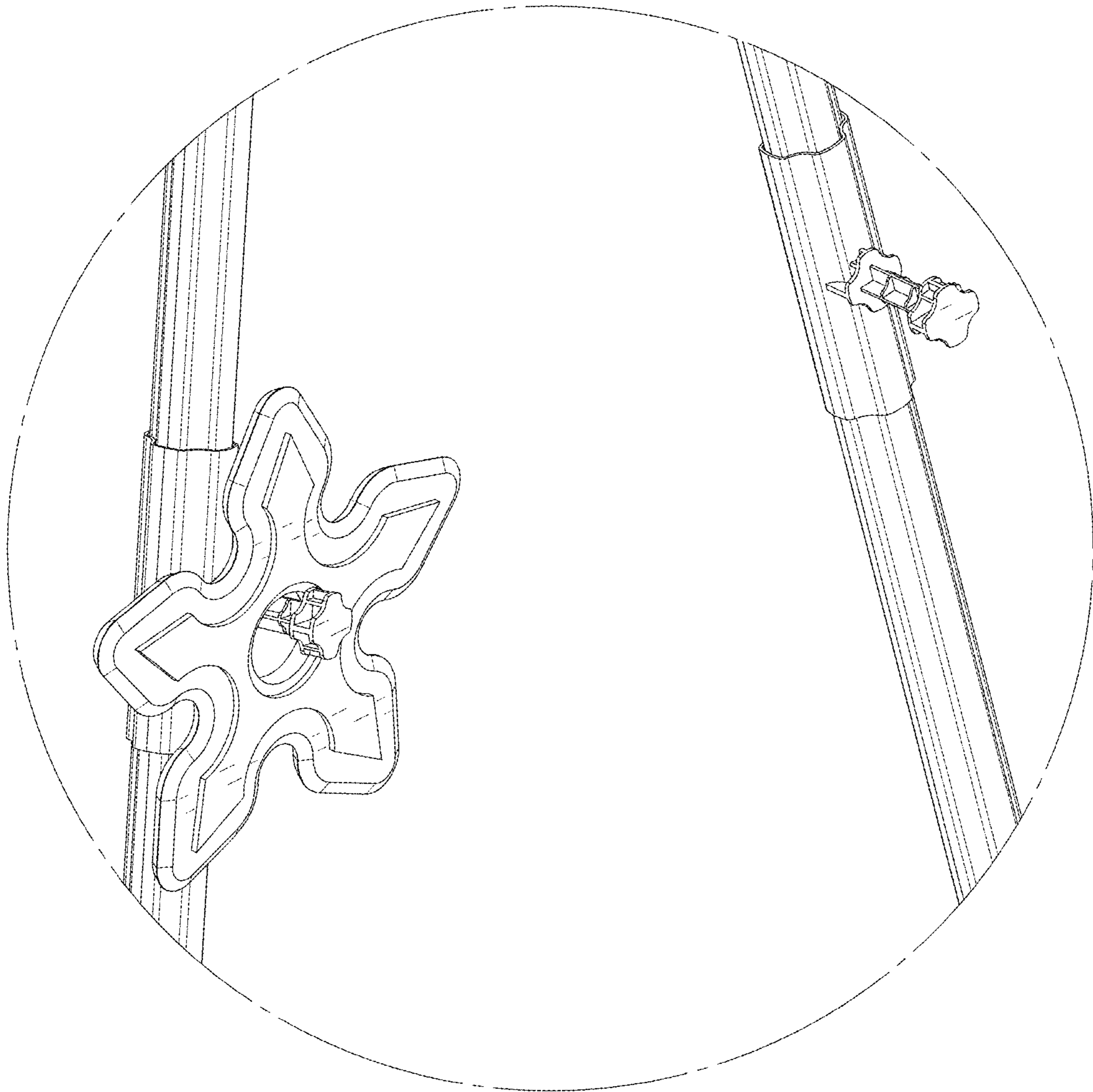


FIG. 10

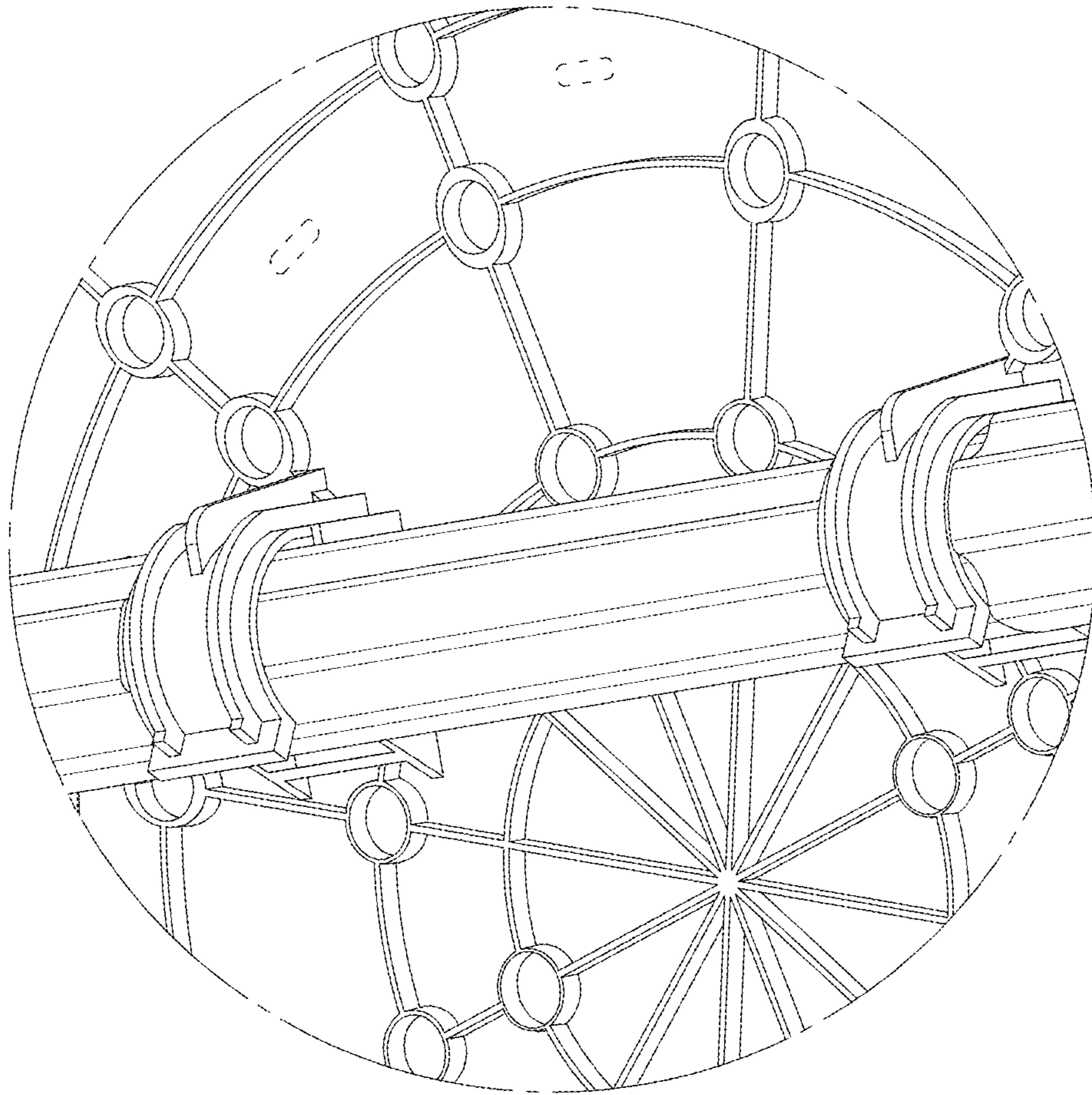


FIG. 11

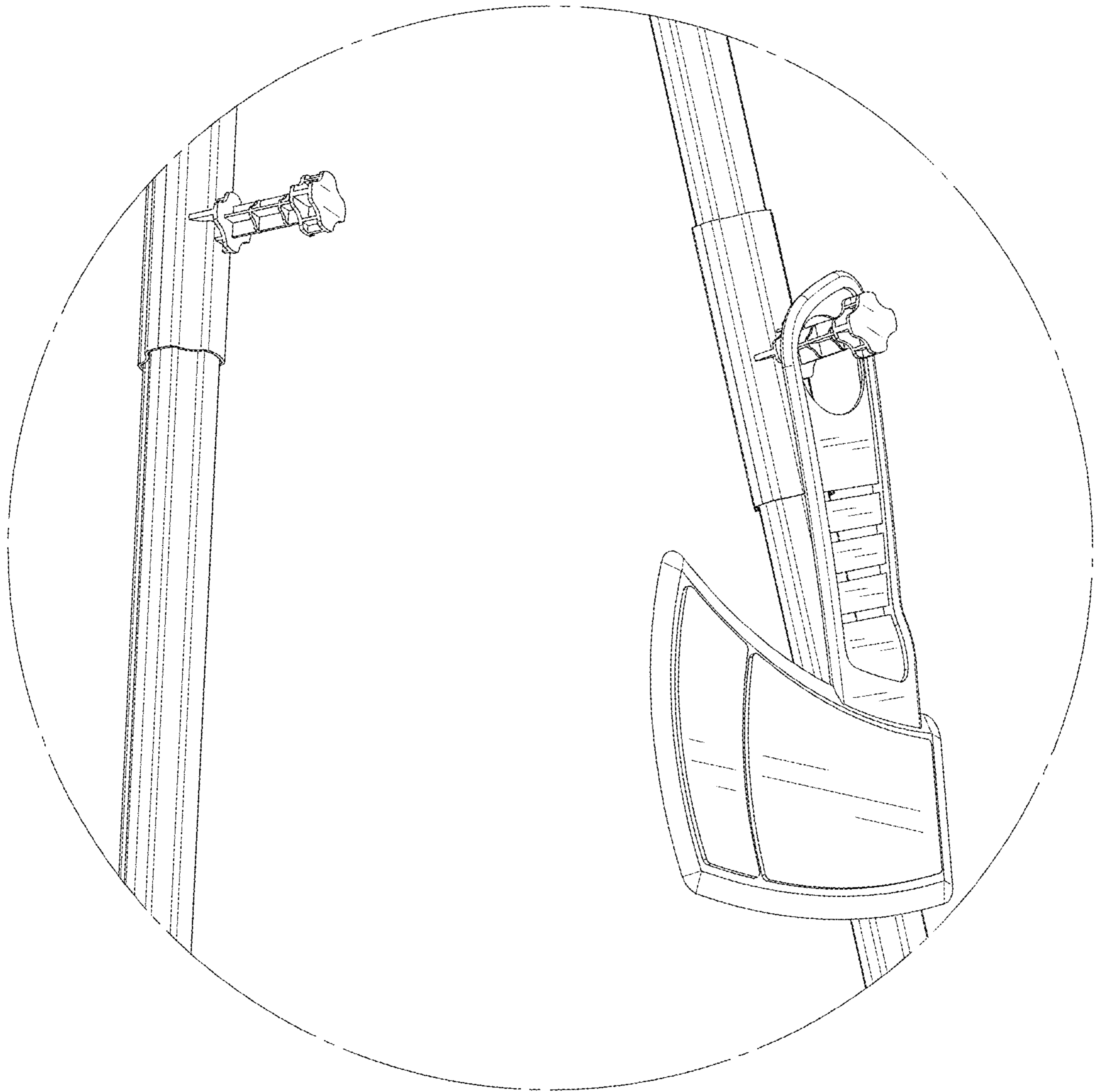


FIG. 12