



US00D931370S

(12) **United States Design Patent** (10) **Patent No.:** **US D931,370 S**
Khurana et al. (45) **Date of Patent:** **** Sep. 21, 2021**

(54) **LABEL FOR A VIAL**

PPF_ALBURX%2025_CSL%20Behring.pdf> last visited Jan. 7, 2021, 2 pages.

(71) Applicant: **Genentech, Inc.**, South San Francisco, CA (US)

(Continued)

(72) Inventors: **Mahesh Khurana**, San Bruno, CA (US); **Dominique Daniel Schall**, Lörrach (DE); **Kai Zheng**, Foster City, CA (US); **Erin Susan Araj**, Pleasanton, CA (US)

Primary Examiner — Mary Ann Calabrese

Assistant Examiner — Catherine Ho

(74) *Attorney, Agent, or Firm* — Mintz Levin Cohn Ferris Glovsky and Popeo, P.C.

(73) Assignee: **Genentech, Inc.**, South San Francisco, CA (US)

(57) **CLAIM**

The ornamental design for a label for a vial, as shown and described.

(**) Term: **15 Years**

(21) Appl. No.: **29/722,202**

DESCRIPTION

(22) Filed: **Jan. 27, 2020**

(51) **LOC (13) Cl.** **19-08**

(52) **U.S. Cl.**
USPC **D20/22; D20/27**

(58) **Field of Classification Search**
USPC D7/387, 624.2; D9/434, 550, 563;
D10/46, 47, 52, 104.1, 104.2; D14/490,
(Continued)

FIG. 1 is a bottom front left perspective view of the first embodiment for a label for a vial, showing our new design; FIG. 2 is a front view thereof; FIG. 3 is a rear view thereof; FIG. 4 is a bottom view thereof; FIG. 5 is a top view thereof; FIG. 6 is a right side view thereof; and FIG. 7 is a left side view thereof. FIG. 8 is a perspective view of the first embodiment in a curled position; FIG. 9 is a rear view thereof; FIG. 10 is a front view thereof; FIG. 11 is a left side view thereof; FIG. 12 is a right side view thereof; FIG. 13 is a bottom view thereof; and FIG. 14 is a top view thereof. FIG. 15 is a perspective view of the first embodiment in an alternate position; FIG. 16 is a rear view thereof; FIG. 17 is a front view thereof; FIG. 18 is a left side view thereof; FIG. 19 is a right side view thereof; FIG. 20 is a bottom view thereof; and FIG. 21 is a top view thereof. FIG. 22 is a bottom front left perspective view of the second embodiment for a label for a vial, showing our new design;

(Continued)

(56) **References Cited**

U.S. PATENT DOCUMENTS

1,987,418 A * 1/1935 Plishker G09F 1/06
40/539
3,212,214 A * 10/1965 Patterson A63H 33/16
446/388

(Continued)

FOREIGN PATENT DOCUMENTS

DE 102004046552 A1 4/2006
DE 102012015557 A1 2/2014

(Continued)

OTHER PUBLICATIONS

Albumin (Human) 25% Solution AlbuRx ®25, CSL Behring, located at <<http://www.ffenterprises.com/assets/downloads/pi-Albumin->

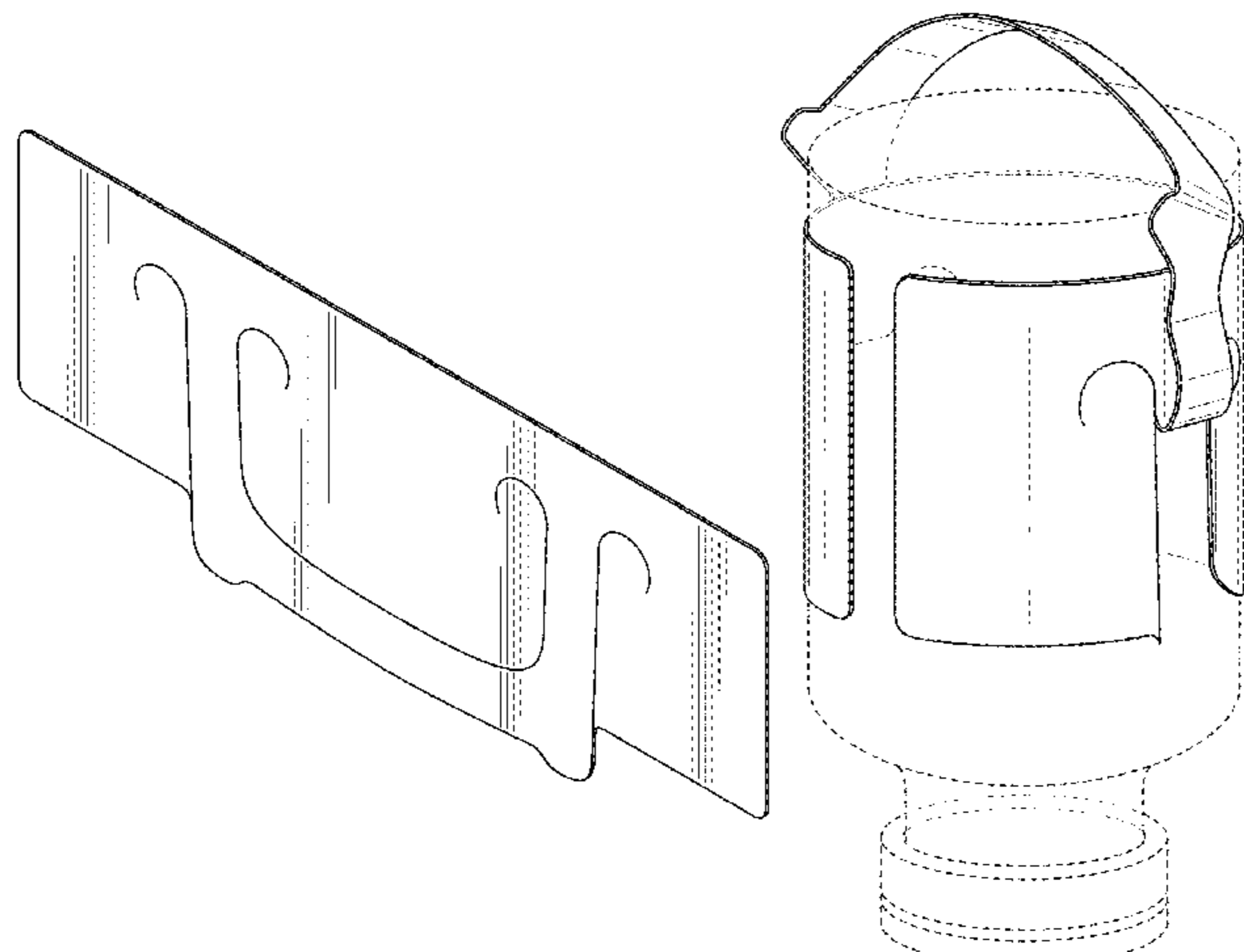


FIG. 23 is a front view thereof;
 FIG. 24 is a rear view thereof;
 FIG. 25 is a bottom view thereof;
 FIG. 26 is a top view thereof;
 FIG. 27 is a right side view thereof; and
 FIG. 28 is a left side view thereof.
 FIG. 29 is a perspective view of the second embodiment in a curled position;
 FIG. 30 is a rear view thereof;
 FIG. 31 is a front view thereof;
 FIG. 32 is a left side view thereof;
 FIG. 33 is a right side view thereof;
 FIG. 34 is a bottom view thereof; and
 FIG. 35 is a top view thereof.
 FIG. 36 is a perspective view of the second embodiment in an alternate position;
 FIG. 37 is a rear view thereof;
 FIG. 38 is a front view thereof;
 FIG. 39 is a left side view thereof;
 FIG. 40 is a right side view thereof;
 FIG. 41 is a bottom view thereof; and
 FIG. 42 is a top view thereof.
 FIG. 43 is a perspective view of the first embodiment in an environment of use;
 FIG. 44 is a rear view thereof;
 FIG. 45 is a front view thereof;
 FIG. 46 is a left side view thereof;
 FIG. 47 is a right side view thereof;
 FIG. 48 is a bottom view thereof; and
 FIG. 49 is a top view thereof.
 FIG. 50 is a perspective view of the first embodiment in an alternate position in an environment of use;
 FIG. 51 is a rear view thereof;
 FIG. 52 is a front view thereof;
 FIG. 53 is a left side view thereof;
 FIG. 54 is a right side view thereof;
 FIG. 55 is a bottom view thereof; and
 FIG. 56 is a top view thereof.
 FIG. 57 is a perspective view of the second embodiment in an environment of use;
 FIG. 58 is a rear view thereof;
 FIG. 59 is a front view thereof;
 FIG. 60 is a left side view thereof;
 FIG. 61 is a right side view thereof;
 FIG. 62 is a bottom view thereof; and
 FIG. 63 is a top view thereof.
 FIG. 64 is a perspective view of the second embodiment in an alternate position in an environment of use;
 FIG. 65 is a rear view thereof;
 FIG. 66 is a front view thereof;
 FIG. 67 is a left side view thereof;
 FIG. 68 is a right side view thereof;
 FIG. 69 is a bottom view thereof; and,
 FIG. 70 is a top view thereof.
 The dash-dash broken lines illustrate portions of the label for the vial or environment that form no part of the claimed design.
 The dash-dash broken lines illustrate portions of the label for a vial or environment that form no part of the claimed design.

1 Claim, 50 Drawing Sheets

(58) **Field of Classification Search**

USPC D14/491; D19/1–12; D20/10, 11, 18, D20/22–29, 42, 49
 CPC G09F 1/00; G09F 1/04; G09F 3/00; G09F 3/005; G09F 3/0288; G09F 3/0289; G09F 3/02; G09F 3/04; G09F 3/06; G09F 3/08; G09F 3/10; G09F 2003/0251; G09F 2003/0273; G06K 19/0776; A61J 9/00
 See application file for complete search history.

(56) **References Cited**

U.S. PATENT DOCUMENTS

3,273,781	A *	9/1966	Mills	B65D 75/14 229/87.01
4,048,737	A *	9/1977	McDermott	G09F 3/0288 40/649
D275,177	S *	8/1984	Villanueva	206/526
5,135,125	A	8/1992	Andel et al.		
5,490,658	A	2/1996	Coward et al.		
5,732,491	A *	3/1998	Burtch	A47F 5/112 40/124.16
5,823,503	A	10/1998	Wasserman		
6,110,553	A	8/2000	Grosskopf et al.		
D443,894	S *	6/2001	Schwartz	B42F 21/04 D19/1
6,546,656	B2 *	4/2003	Twentier	G09F 3/005 40/633
D596,240	S *	7/2009	Muniz	D20/28
D613,451	S *	4/2010	Welsh	D28/4
D676,490	S *	2/2013	Bratter	D20/27
D676,572	S *	2/2013	Tarriff	D24/224
D702,765	S *	4/2014	Williams	D20/22
D729,313	S *	5/2015	Glass	D19/3
D741,955	S *	10/2015	Clark	D21/398
D752,682	S *	3/2016	Sato	D19/1
D785,710	S *	5/2017	Lin	D20/27
D785,711	S *	5/2017	Lin	D20/27
D786,976	S *	5/2017	Keating	D20/27
D860,322	S *	9/2019	Edwards	D20/19
D888,828	S *	6/2020	Dittrich	D20/43
D892,212	S *	8/2020	Sato	D19/1
2002/0073587	A1 *	6/2002	Twentier	G09F 15/0087 40/633
2004/0104274	A1 *	6/2004	Kotik	G06K 19/04 235/492
2007/0014958	A1	1/2007	Chaplin et al.		

FOREIGN PATENT DOCUMENTS

EP	2695824	A1	2/2014
TW	D129022		6/2009
TW	D140218	S1	4/2011

OTHER PUBLICATIONS

Alburx 25% 100ml CSL, prescribing details, located at <<https://biosupply.fffenterprises.com/alburx-25-100ml-esl-5.html#>> last visited Jan. 7, 2021, 3 pages.
 Goldberg, C. (Dec. 18, 2017). “Mass General Hospital Raises Red Flag About National Shortage of IV Fluids,” CommonHealth, located at <<https://www.wbur.org/commonhealth/2017/12/18/mass-general-hospital-iv-fluids>> last visited Jan. 7, 2021, 7 pages.
 NDC 44206-310 Alburx, Albumin (human) description, located at <<https://ndclist.com/ndc/44206-310#description>> last visited Jan. 7, 2021, 7 pages.

* cited by examiner

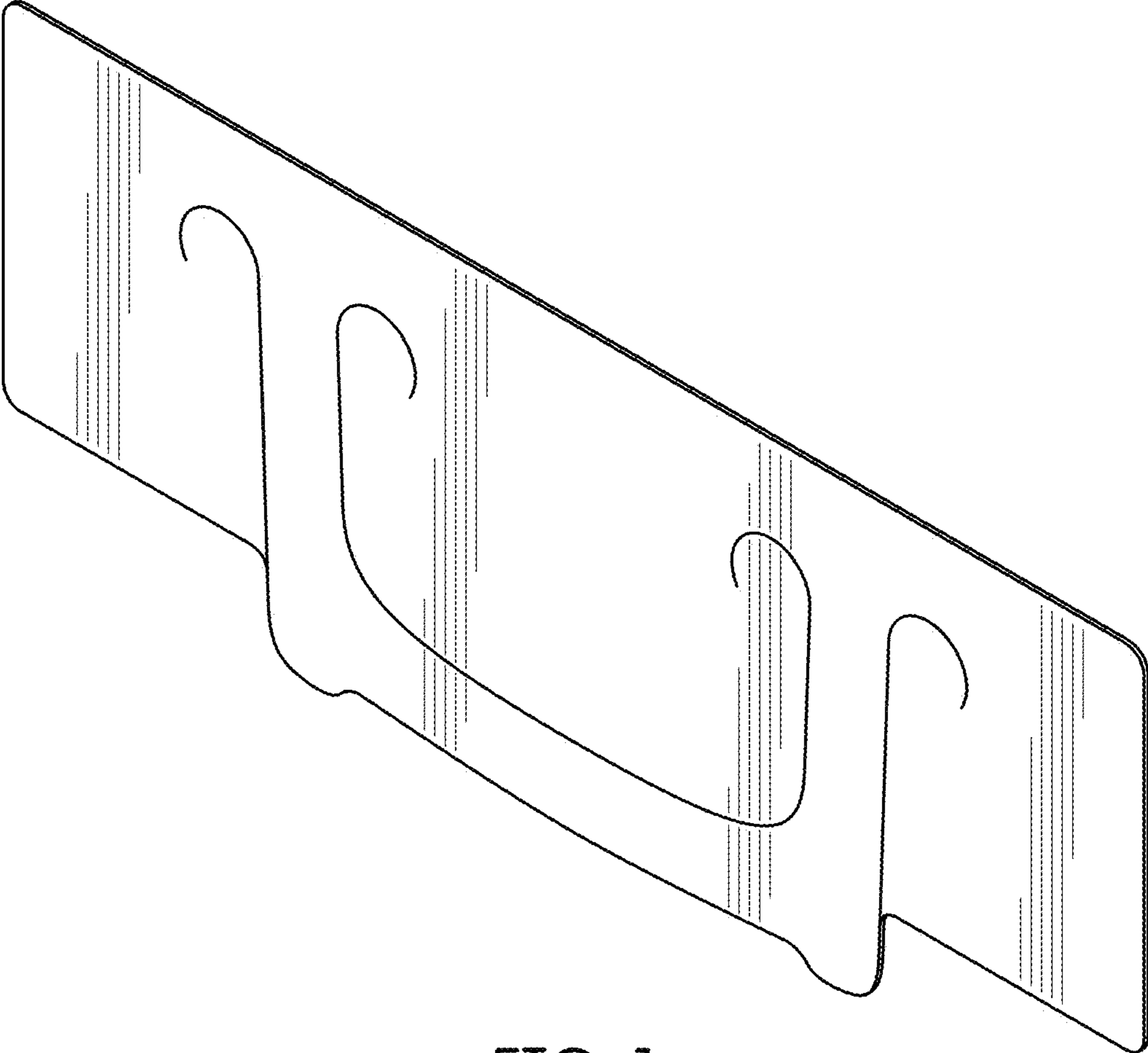


FIG. 1

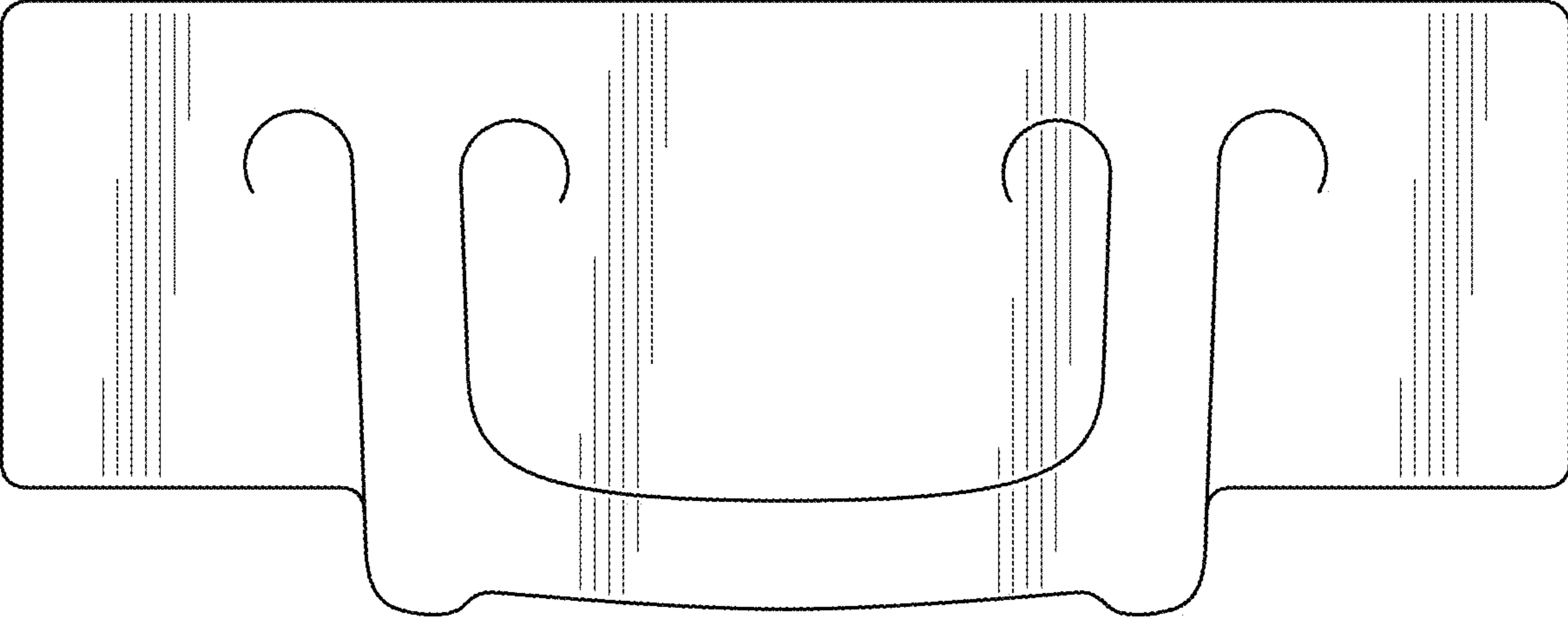


FIG. 2

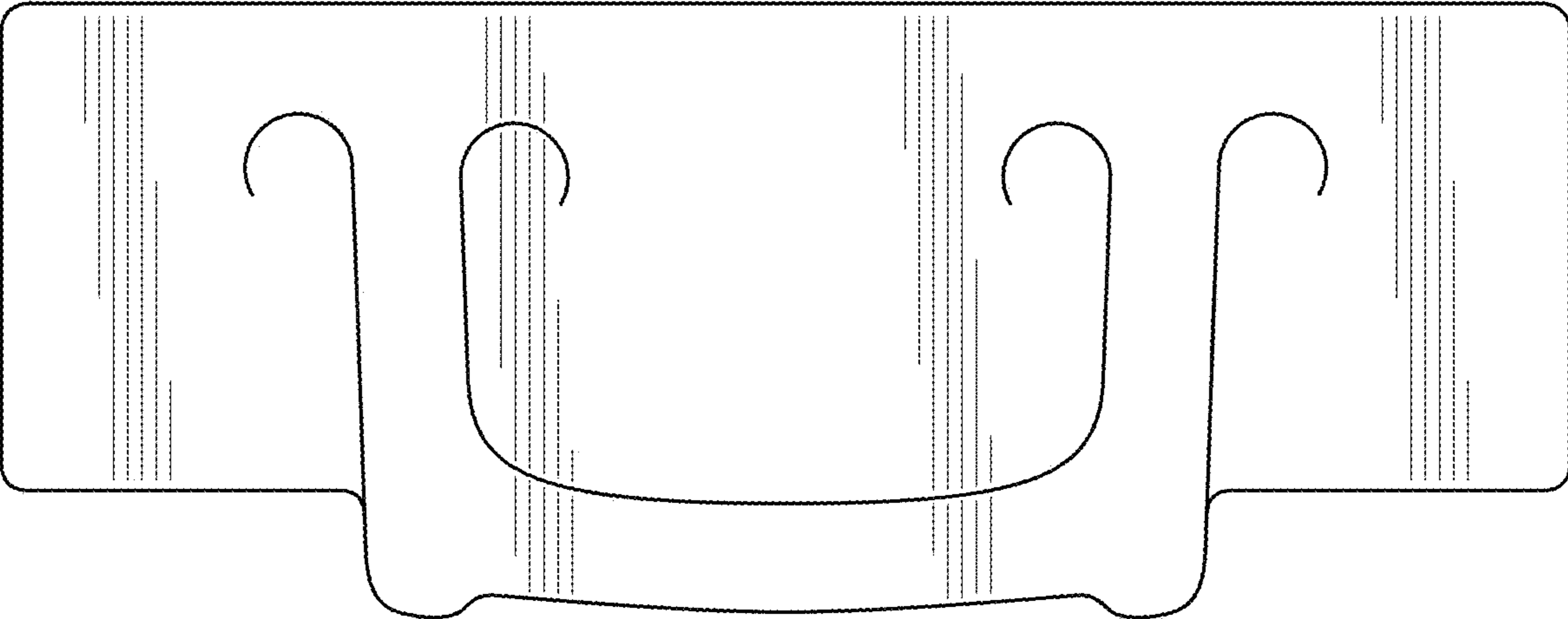


FIG. 3



FIG. 4



FIG. 5



FIG. 6



FIG. 7

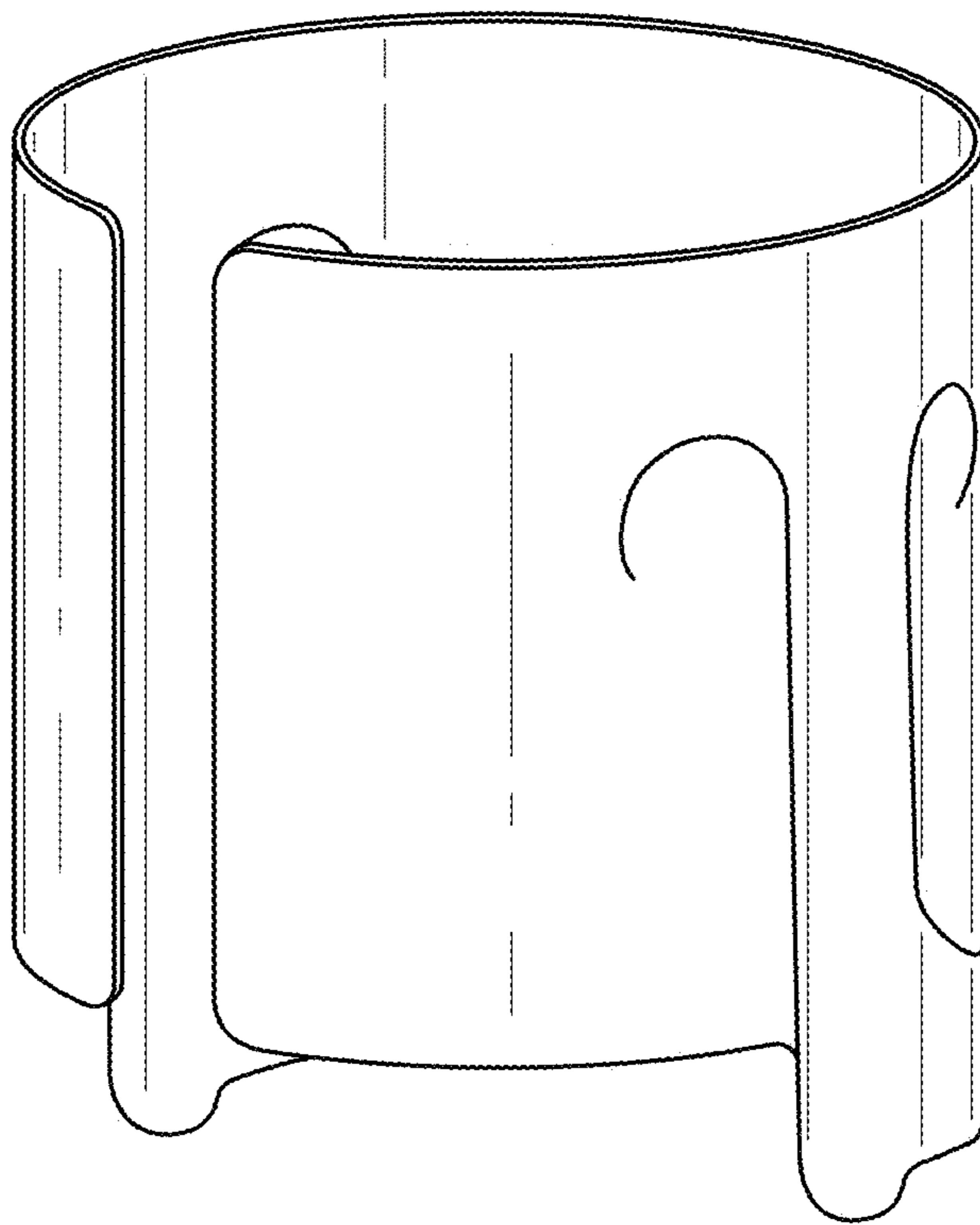


FIG. 8

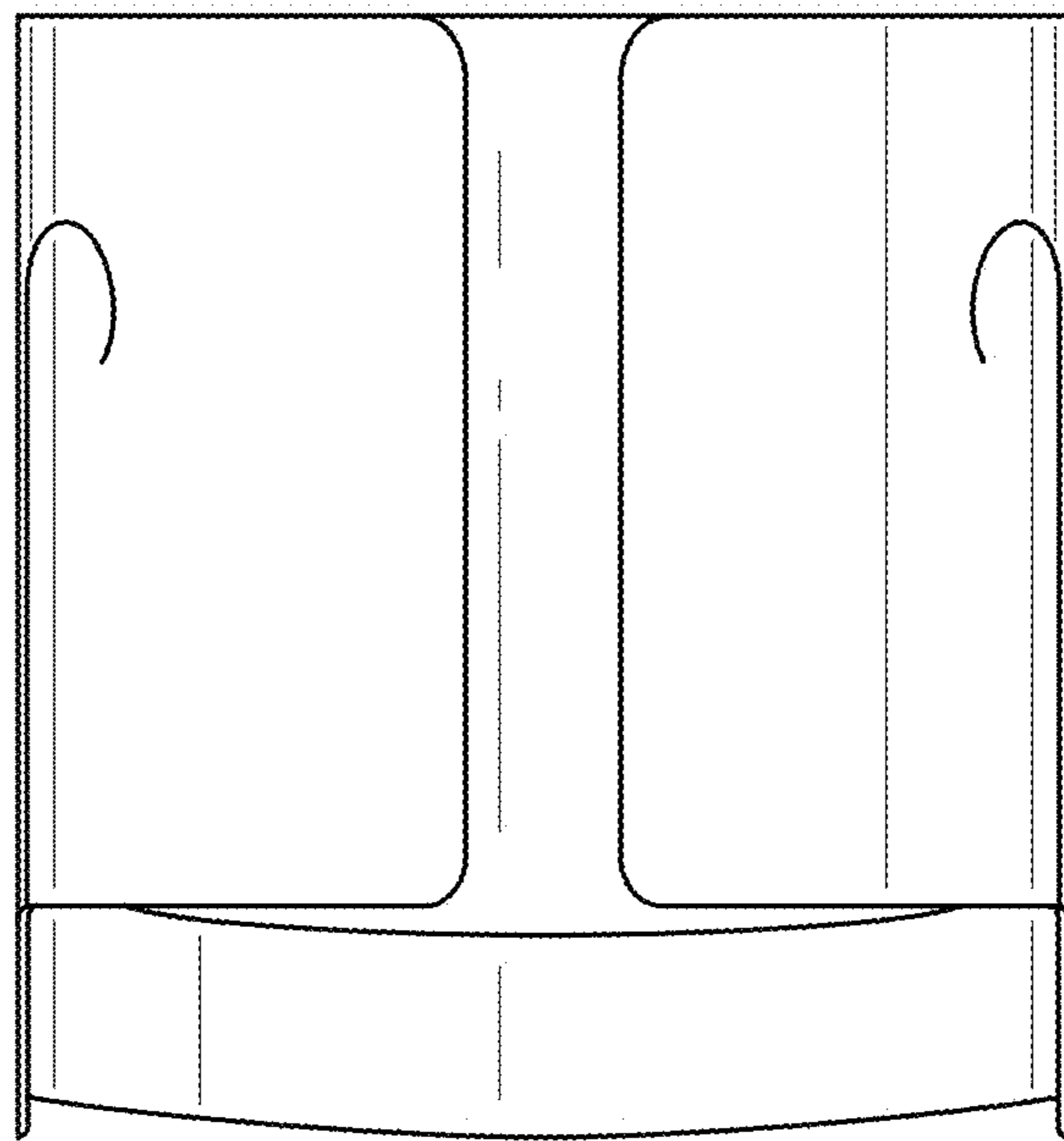


FIG. 9

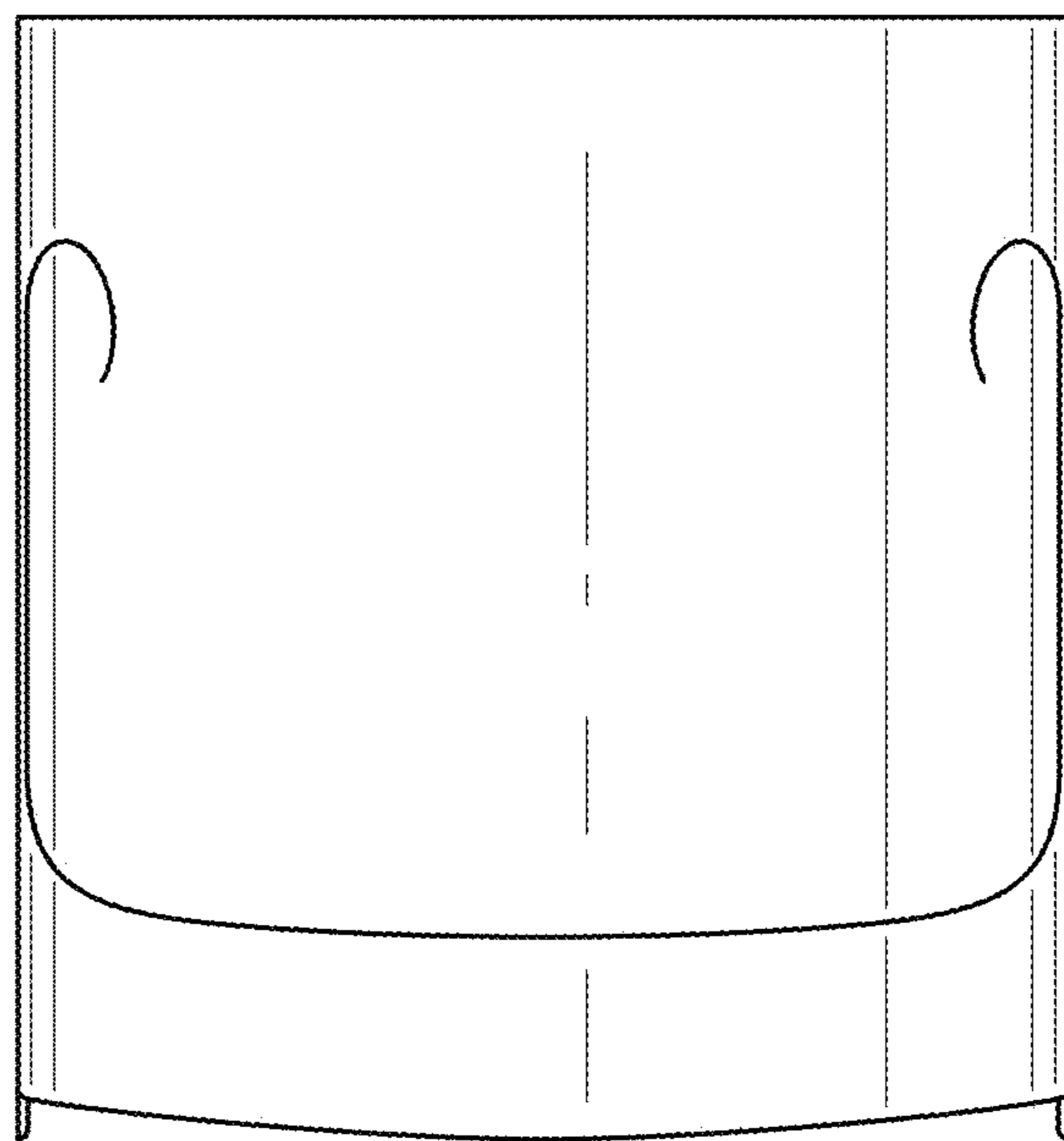


FIG. 10

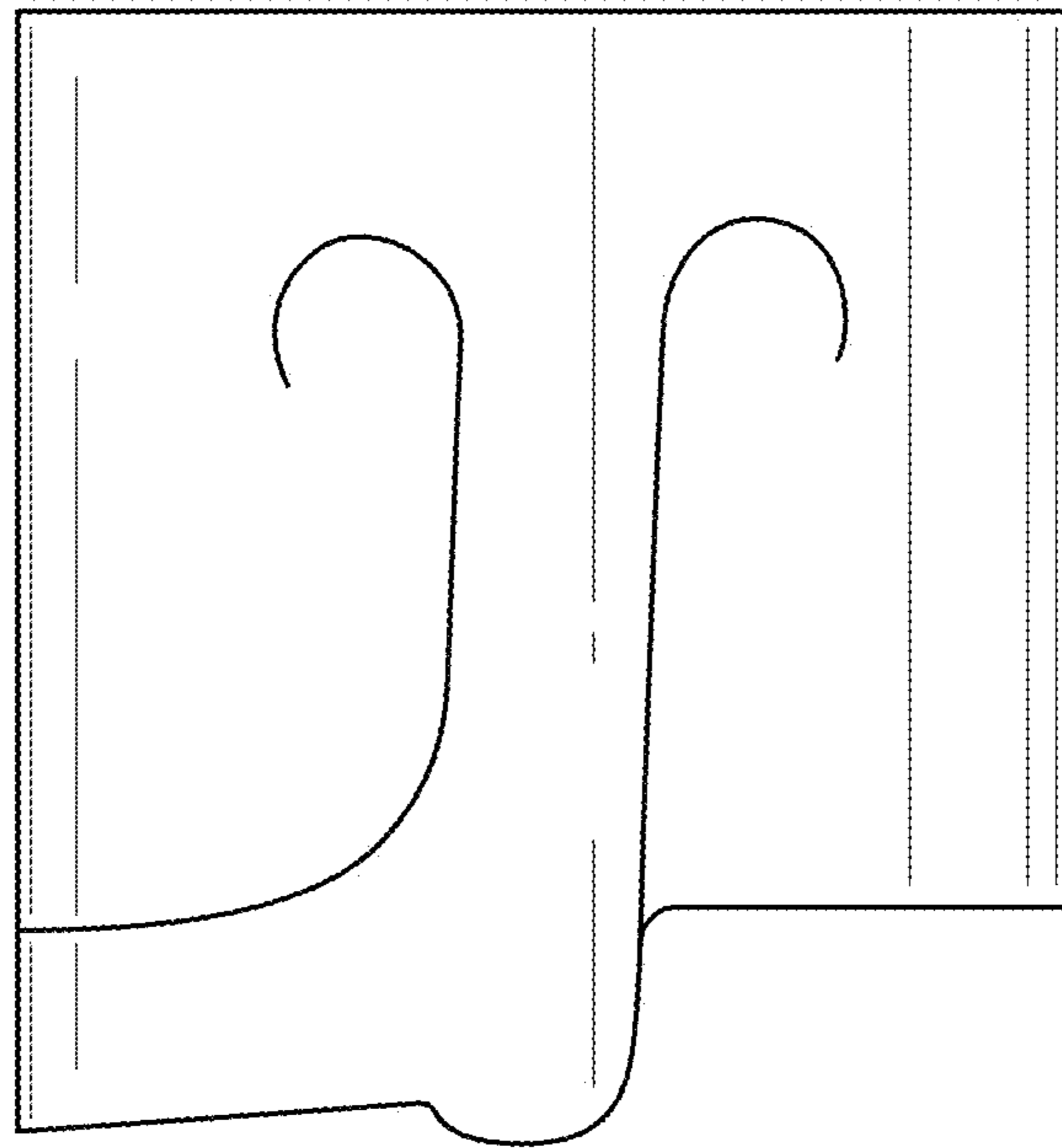


FIG. 11

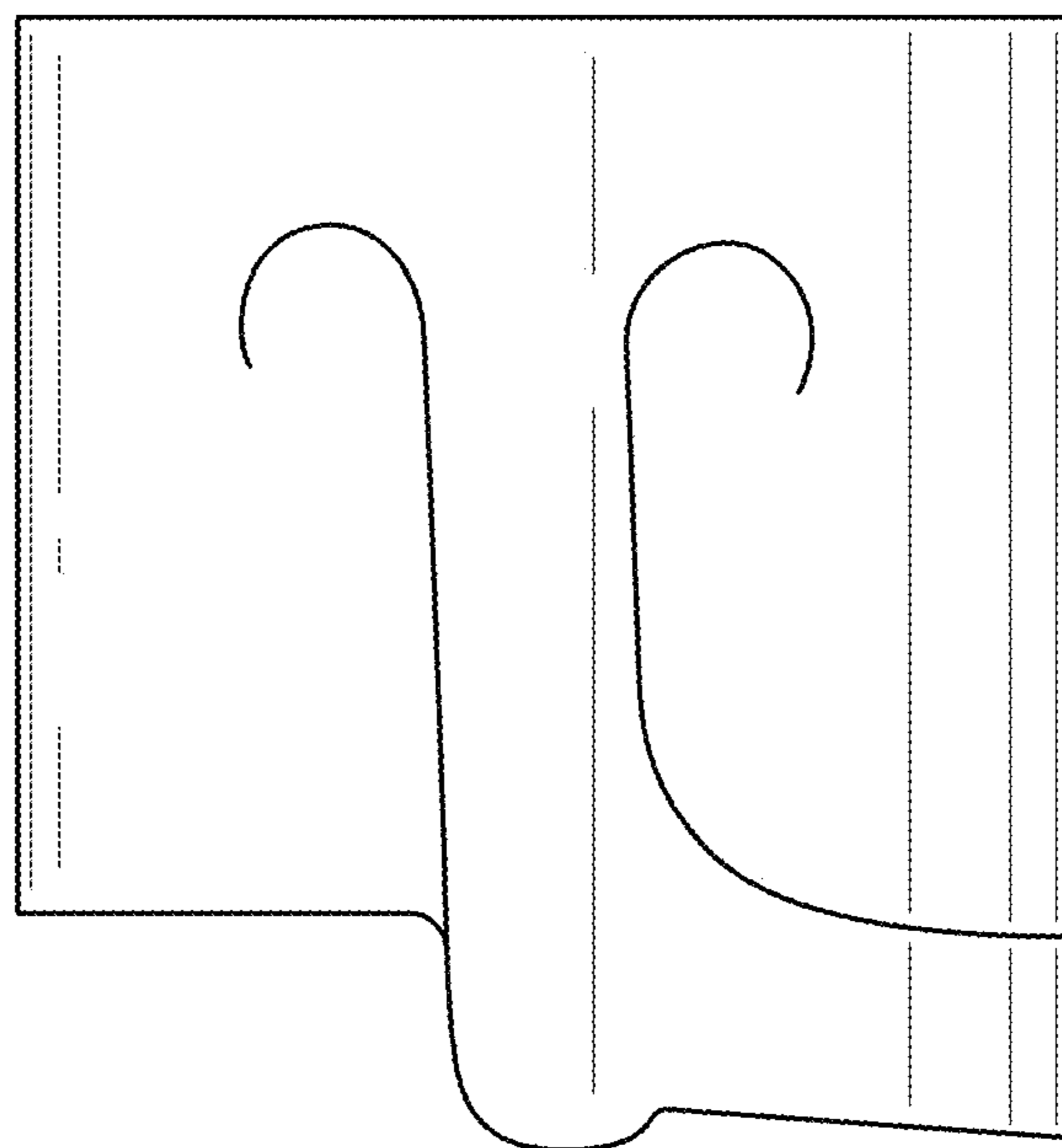


FIG. 12

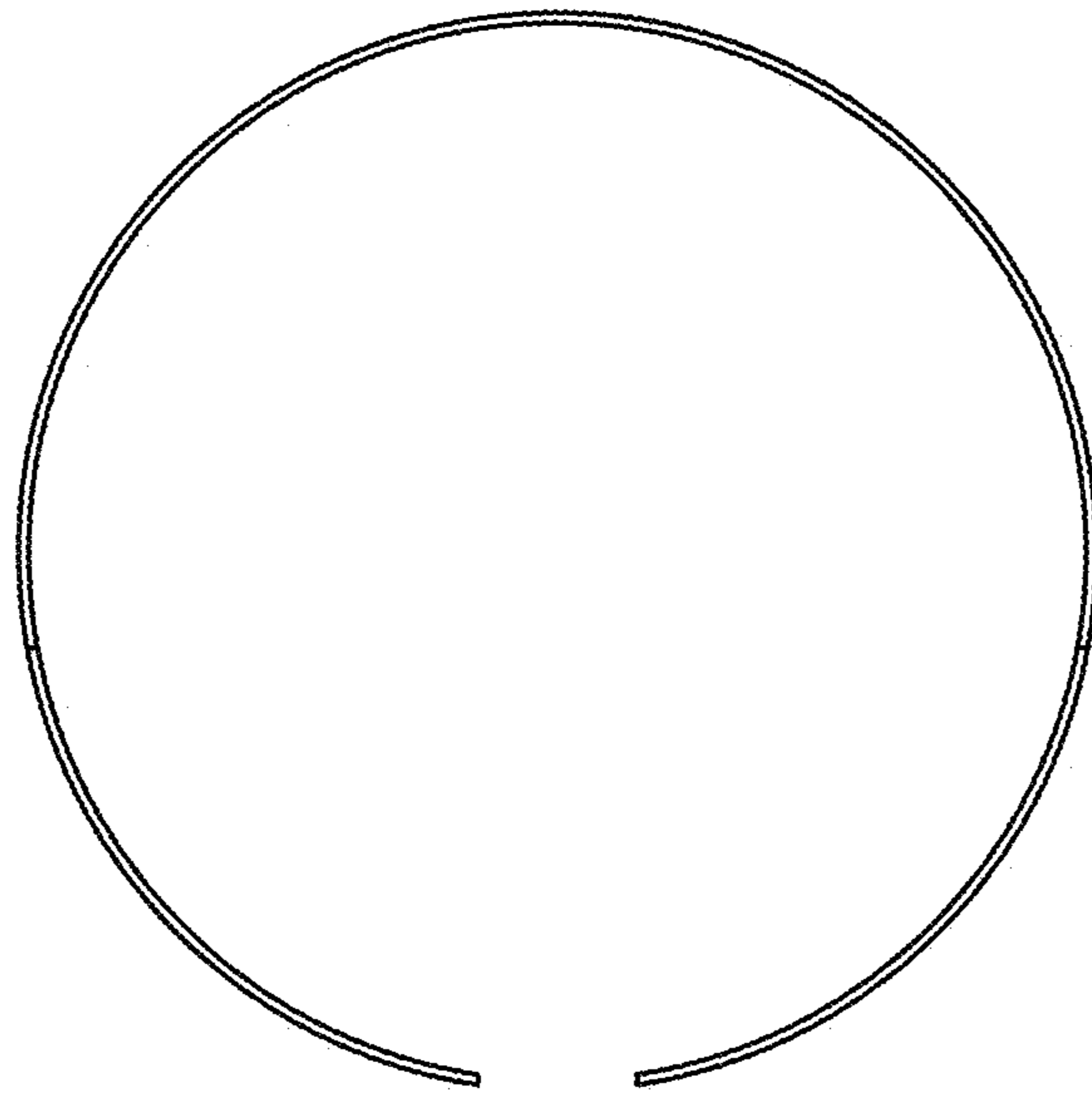


FIG. 13

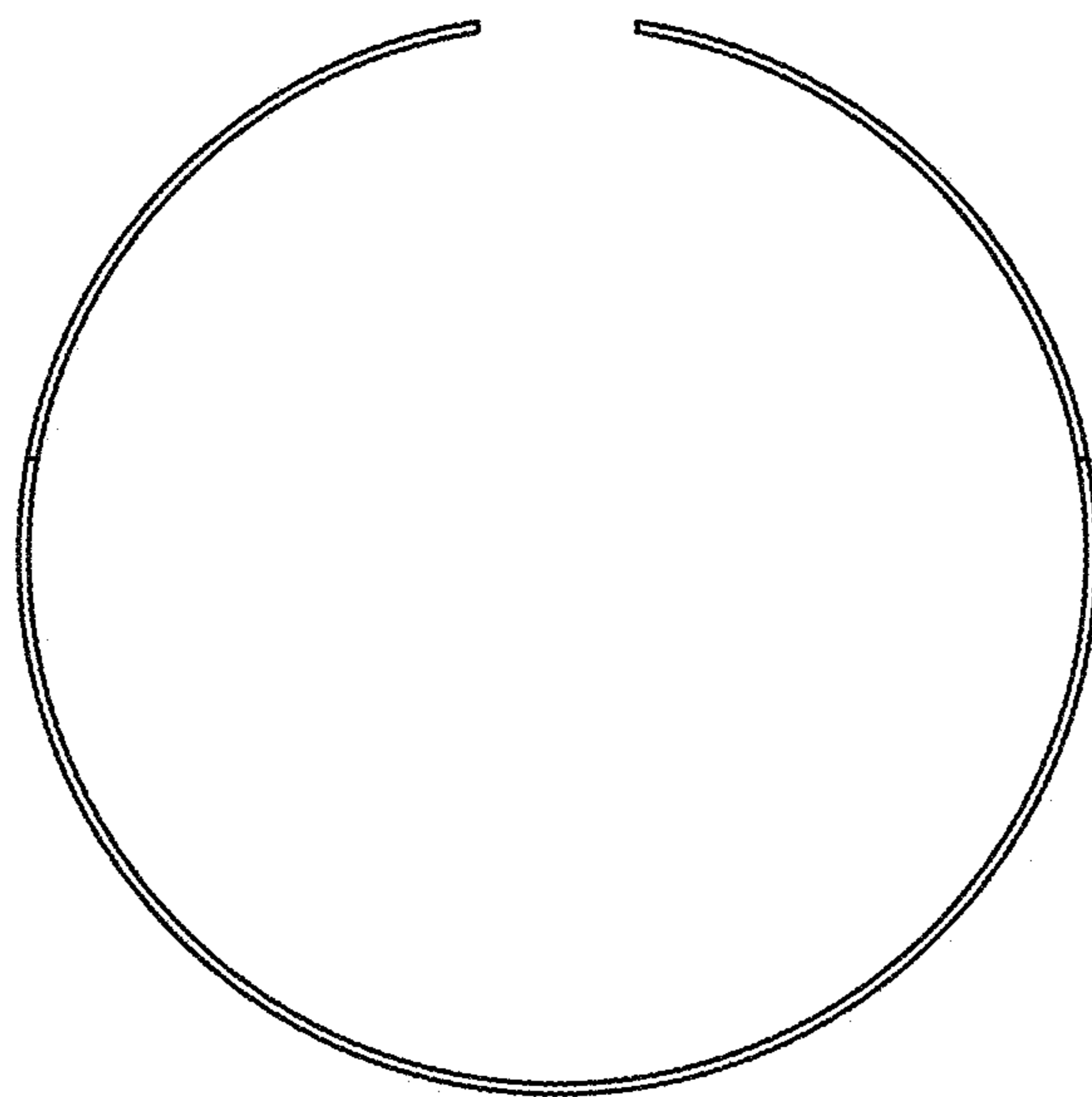


FIG. 14

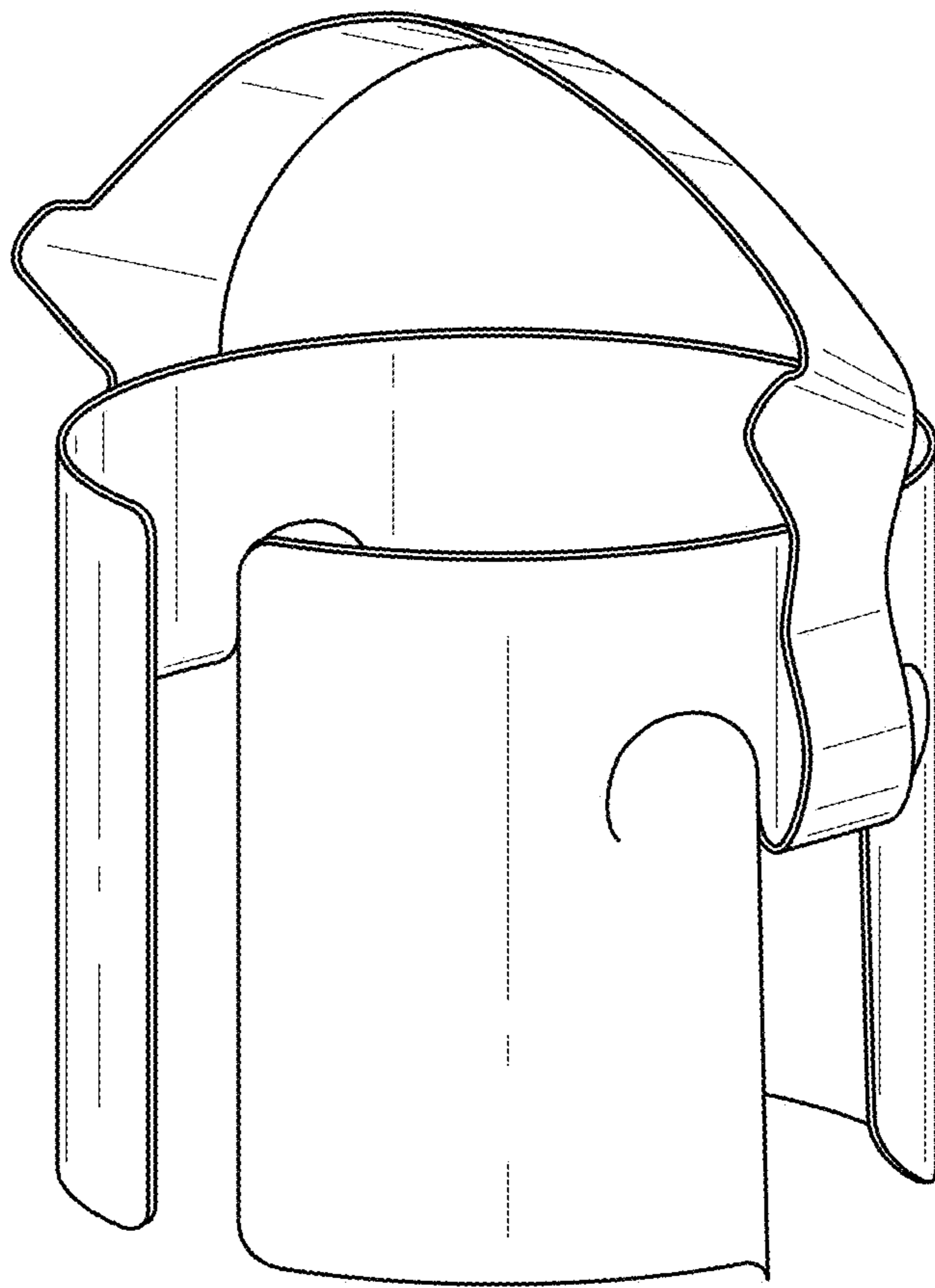


FIG. 15

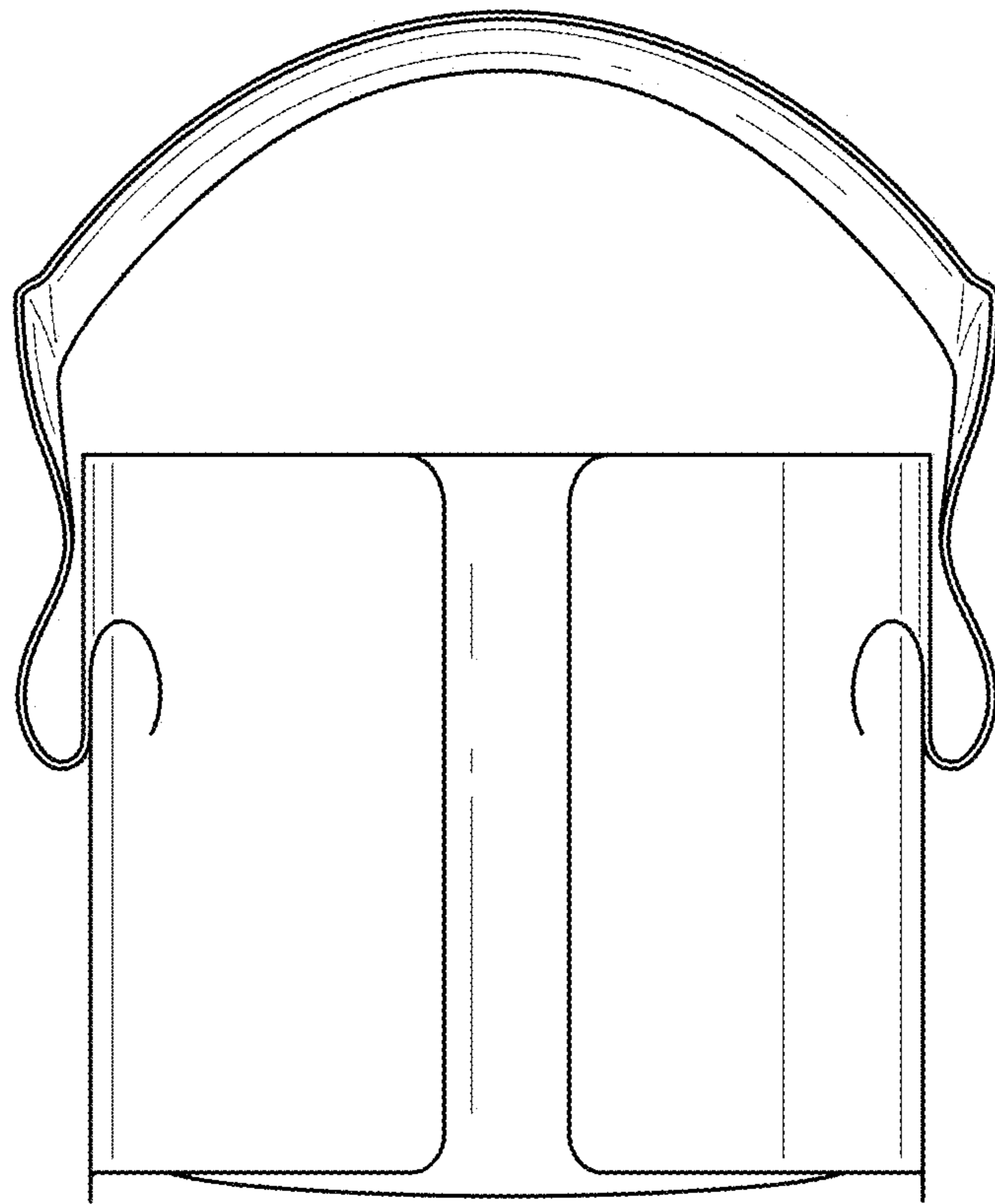


FIG. 16

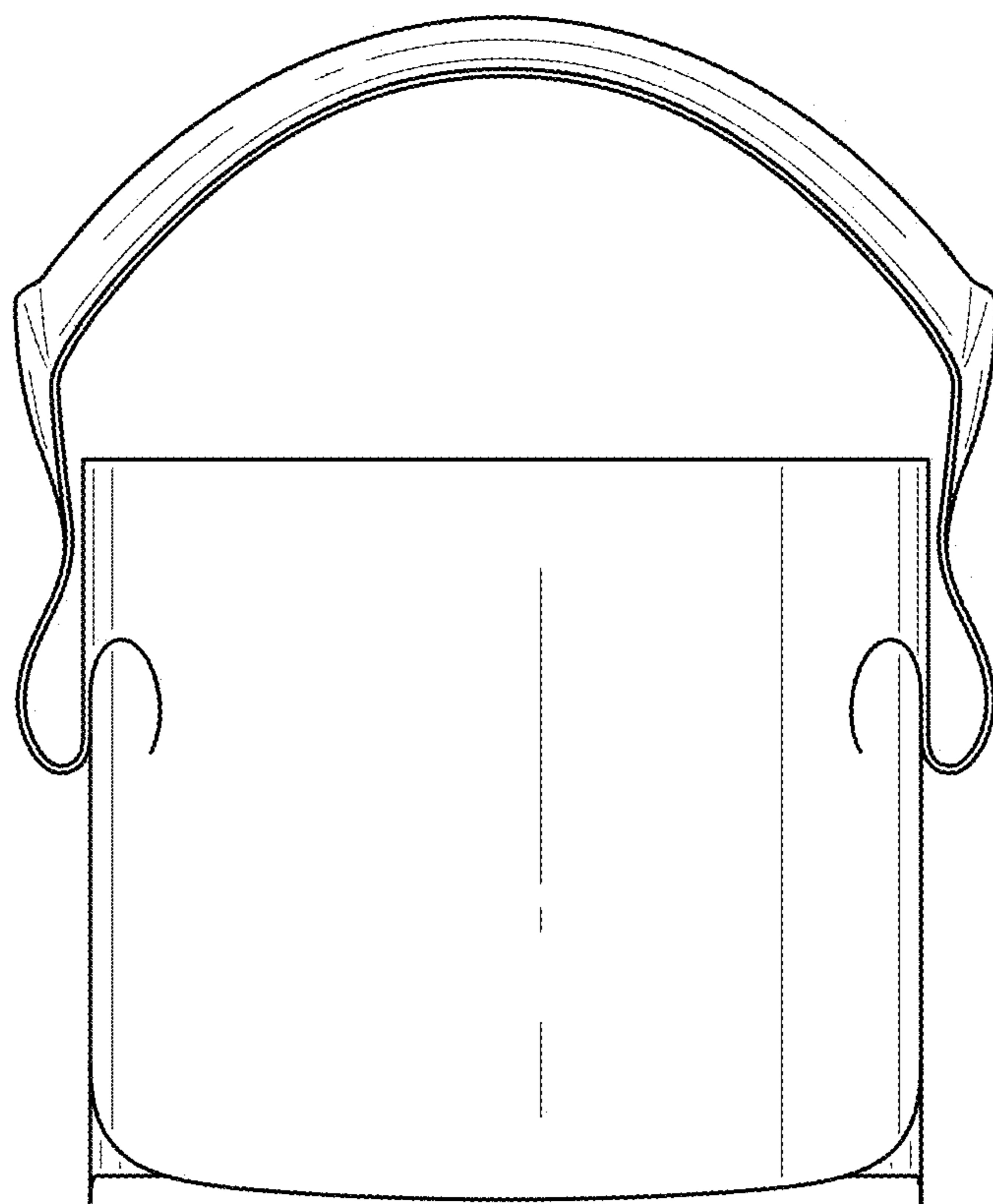


FIG. 17

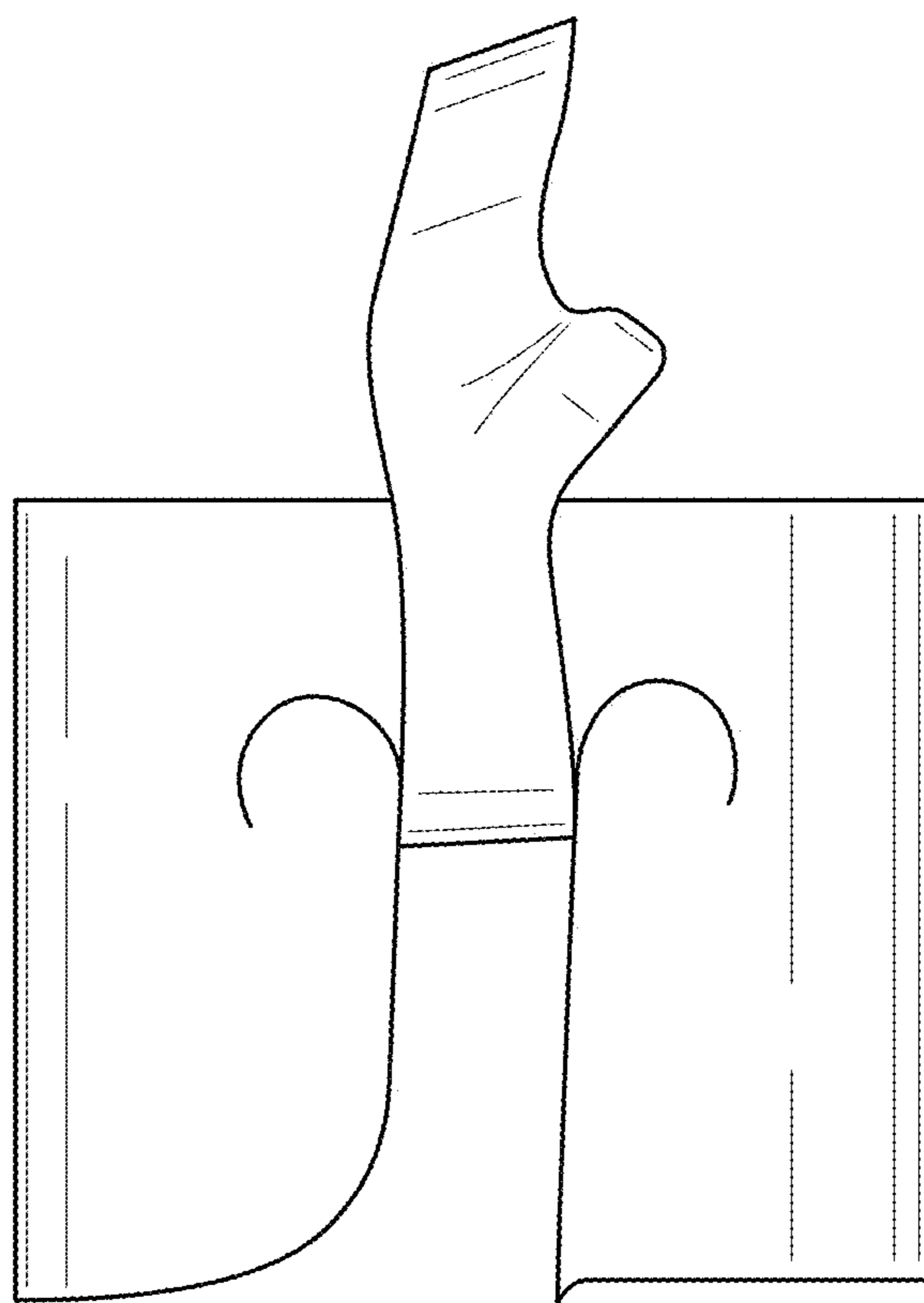


FIG. 18

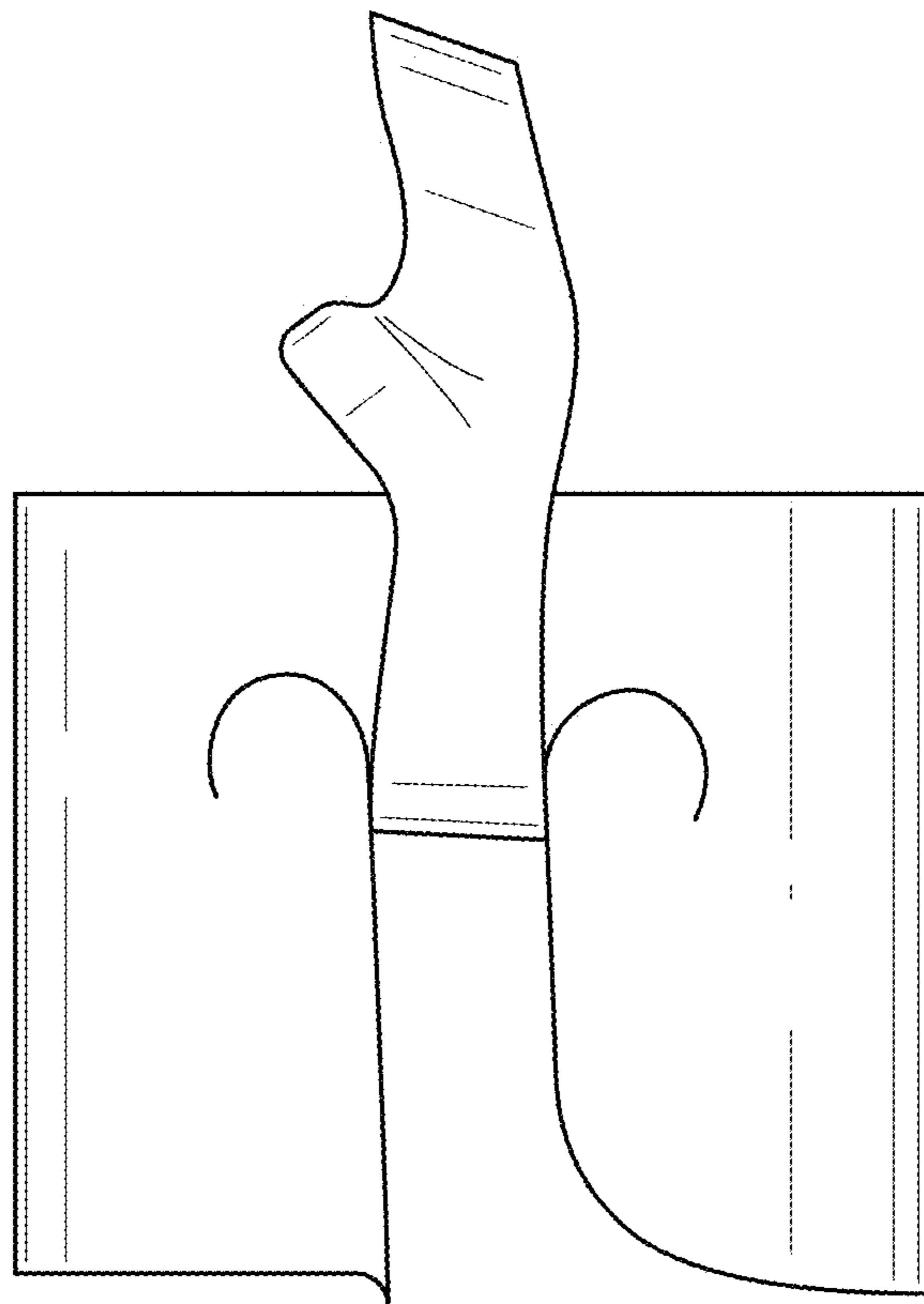


FIG. 19

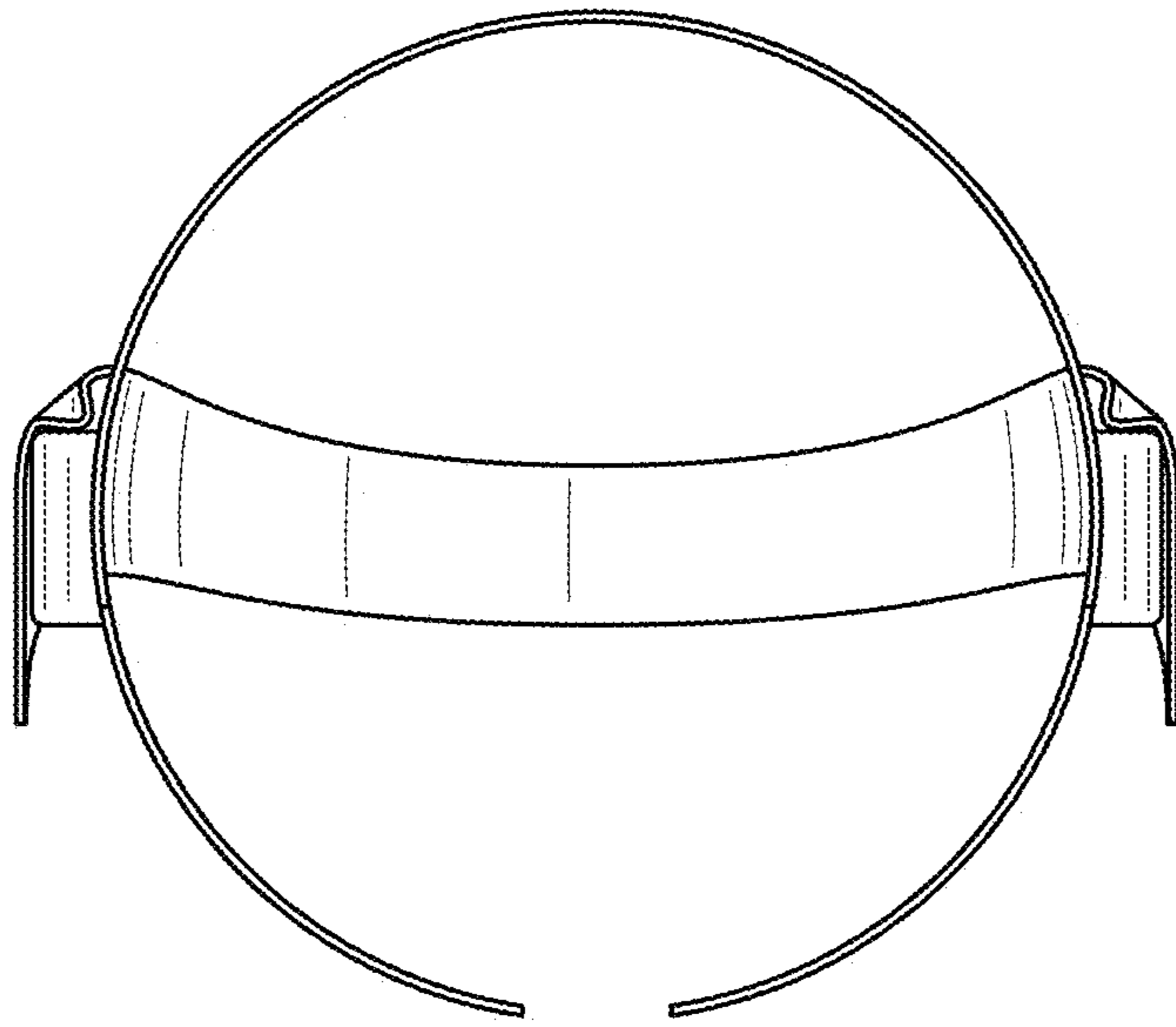


FIG. 20

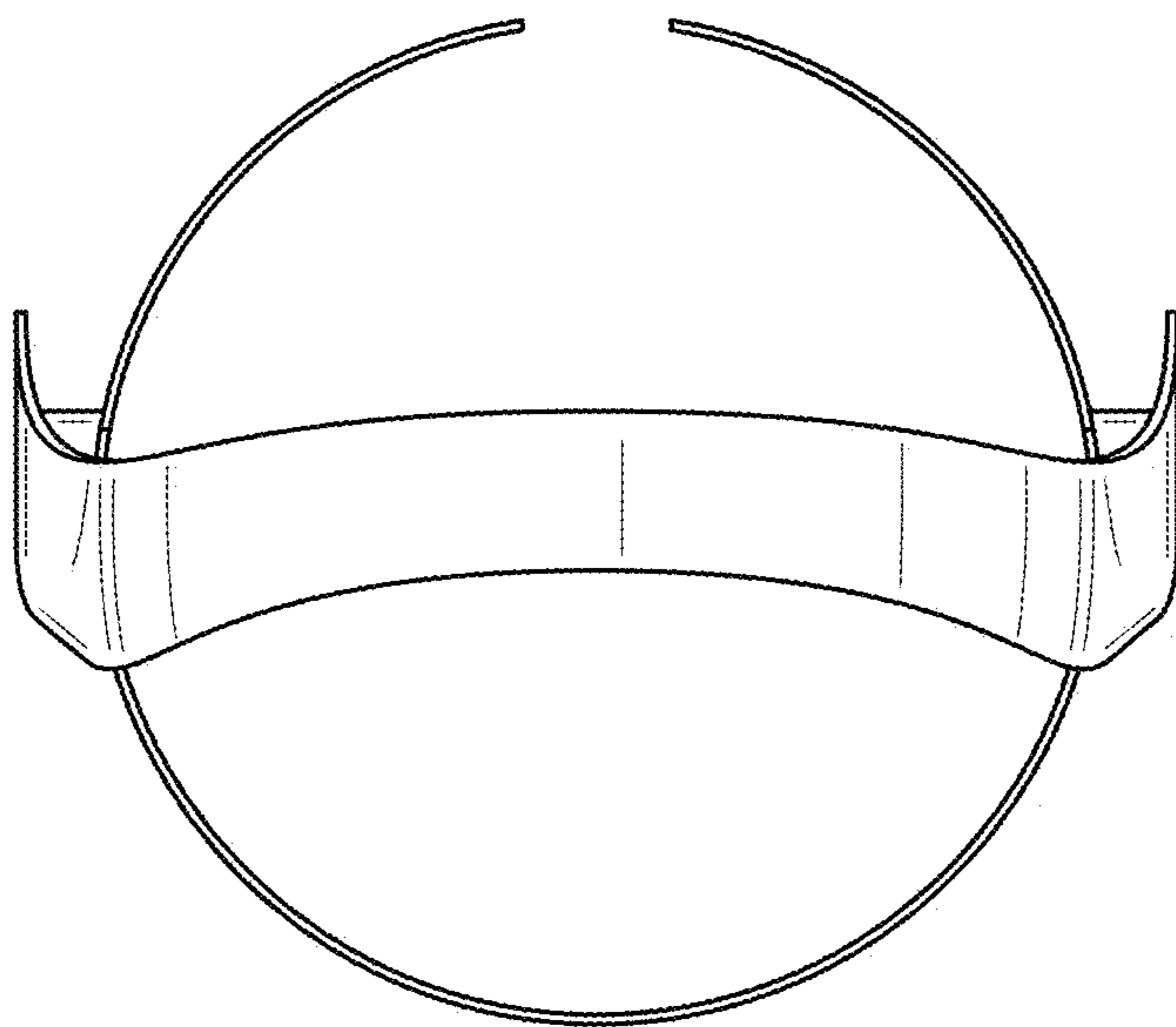


FIG. 21

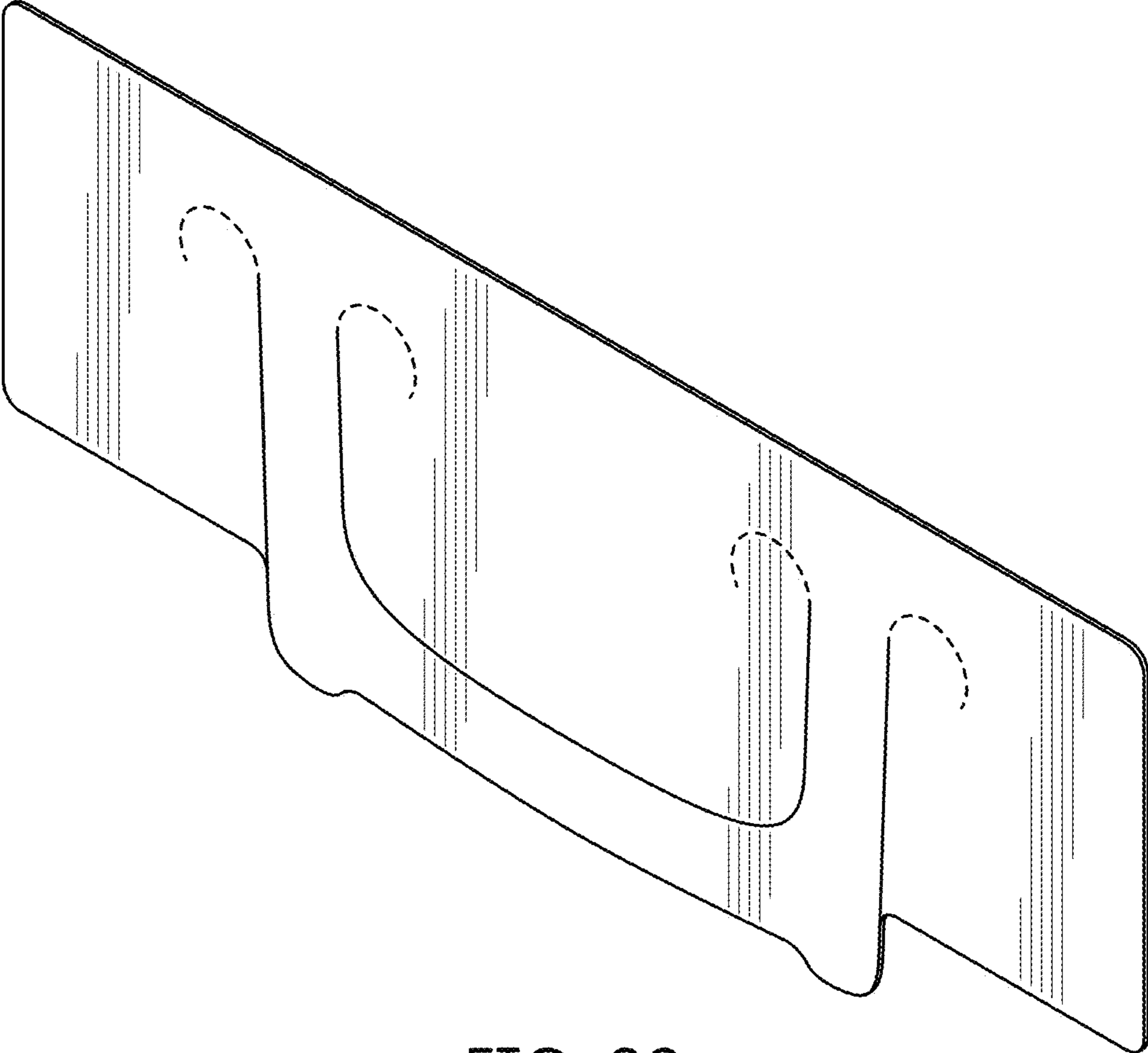


FIG. 22

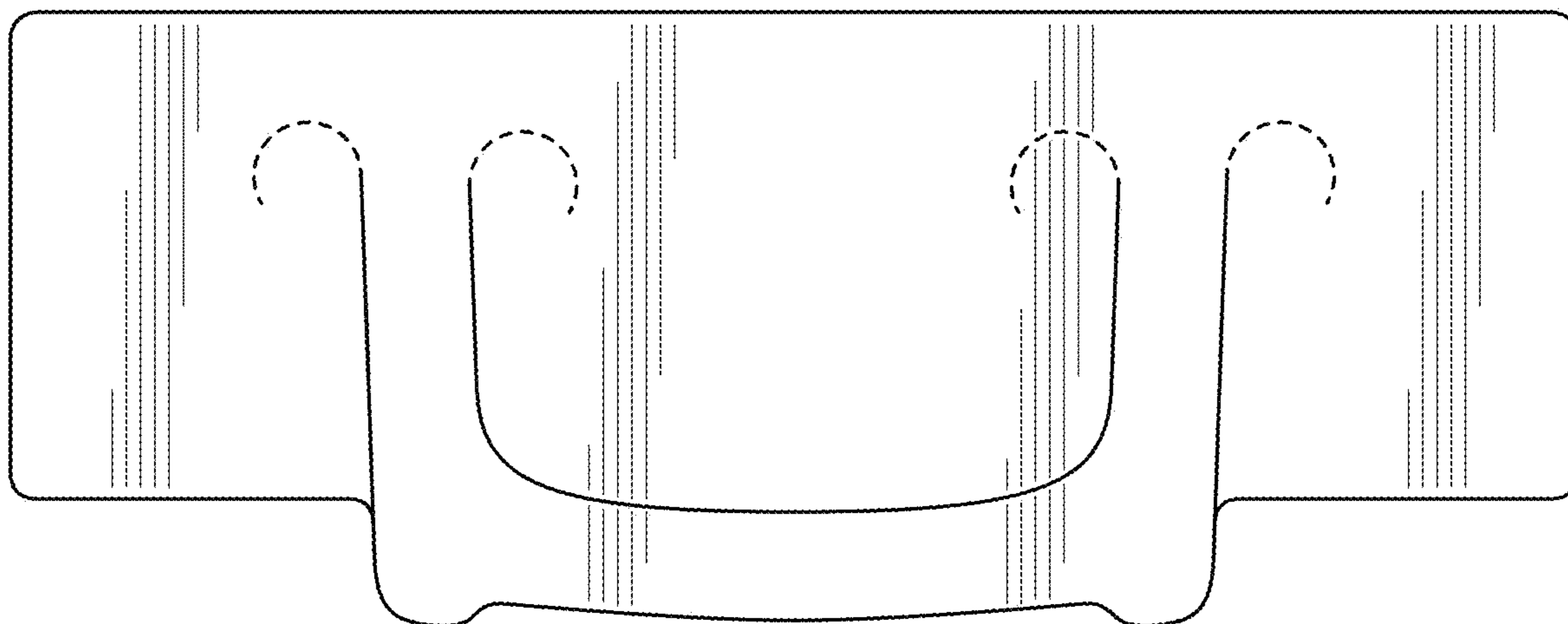


FIG. 23

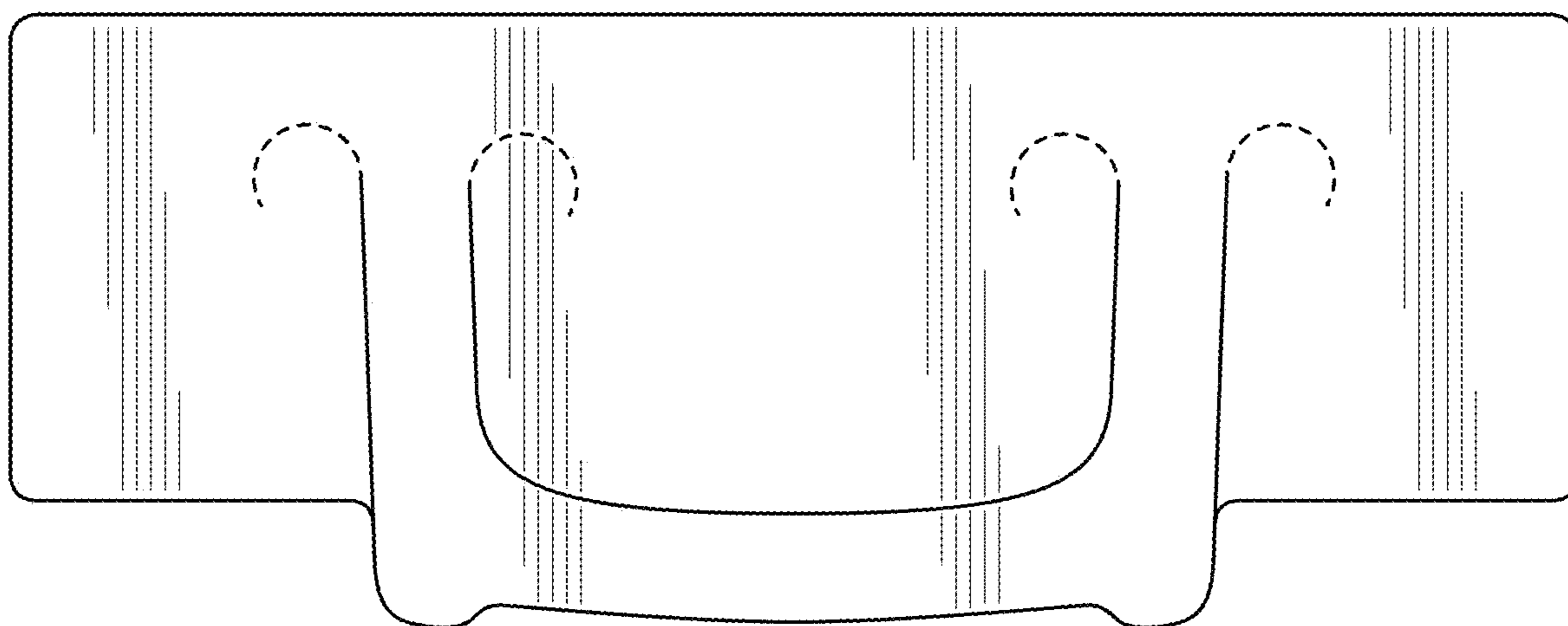


FIG. 24



FIG. 25



FIG. 26



FIG. 27



FIG. 28

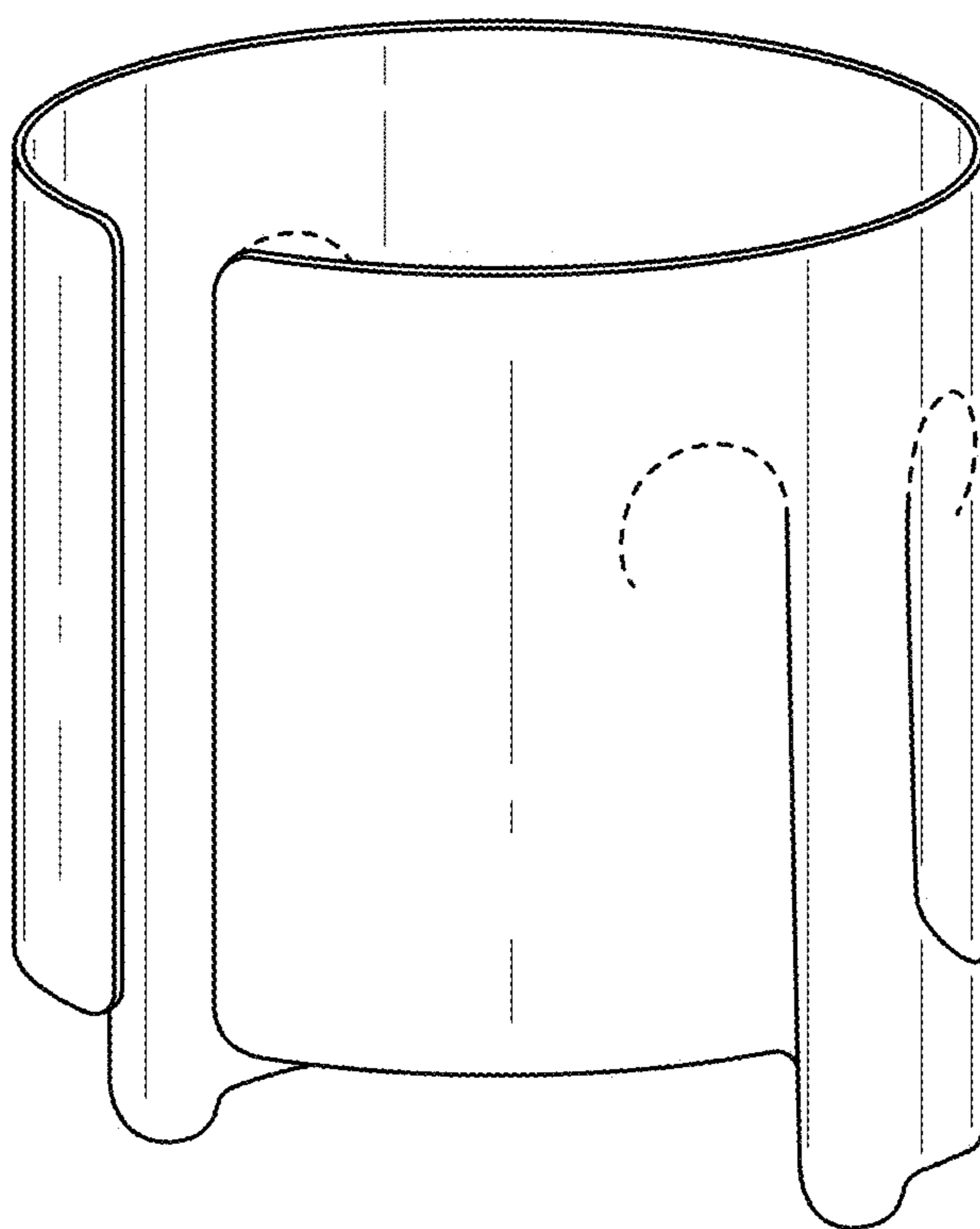


FIG. 29

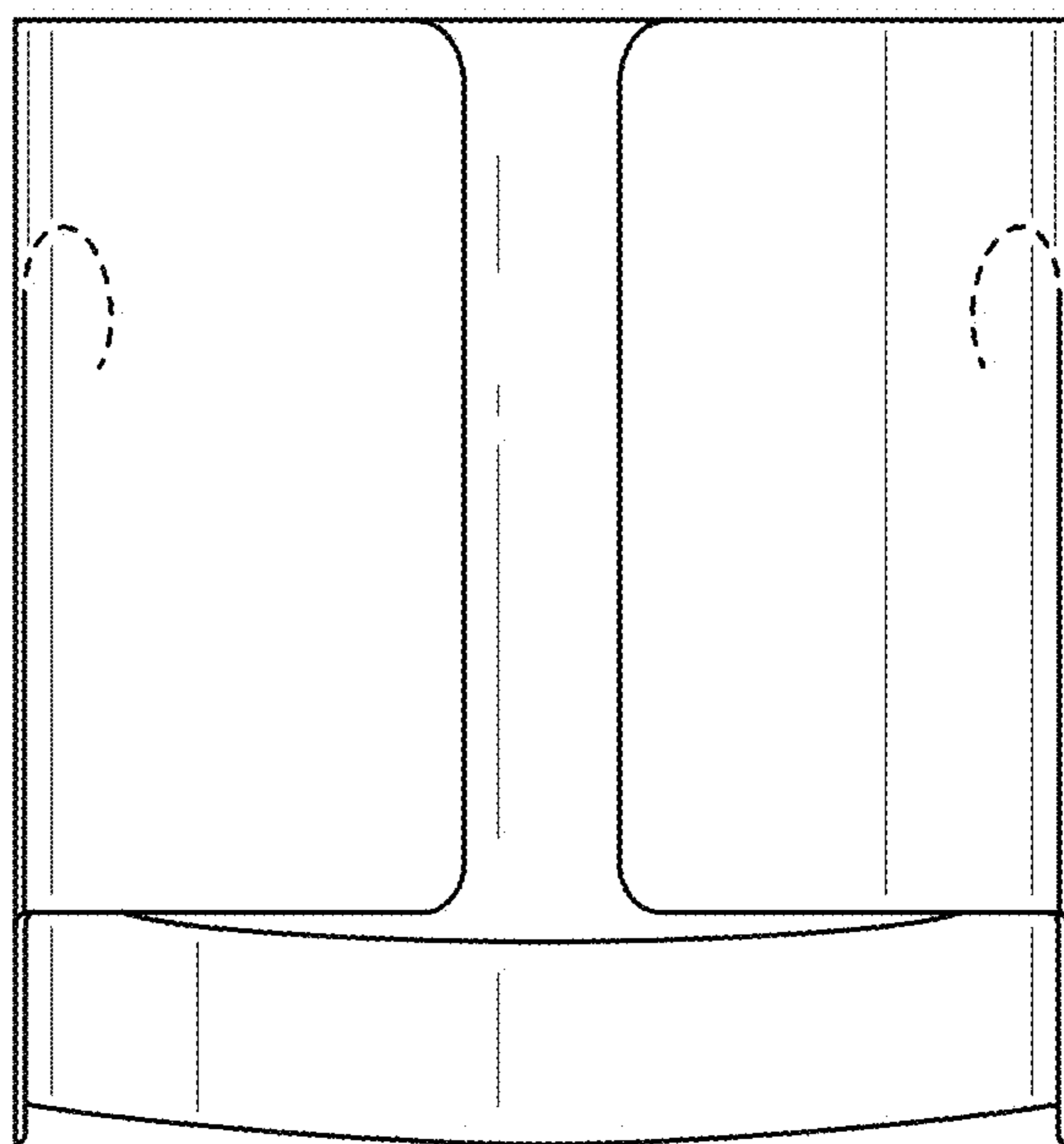


FIG. 30

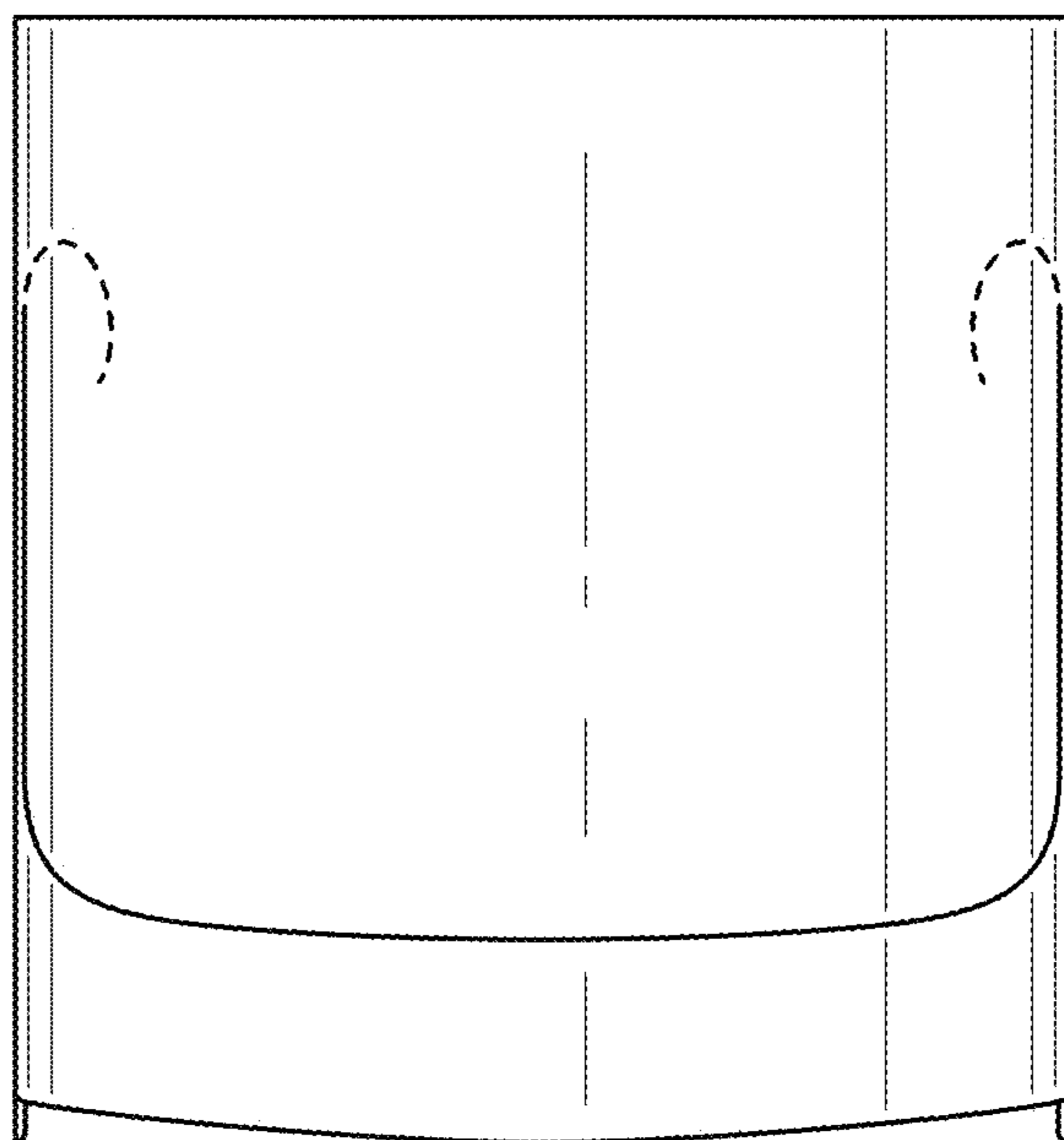


FIG. 31

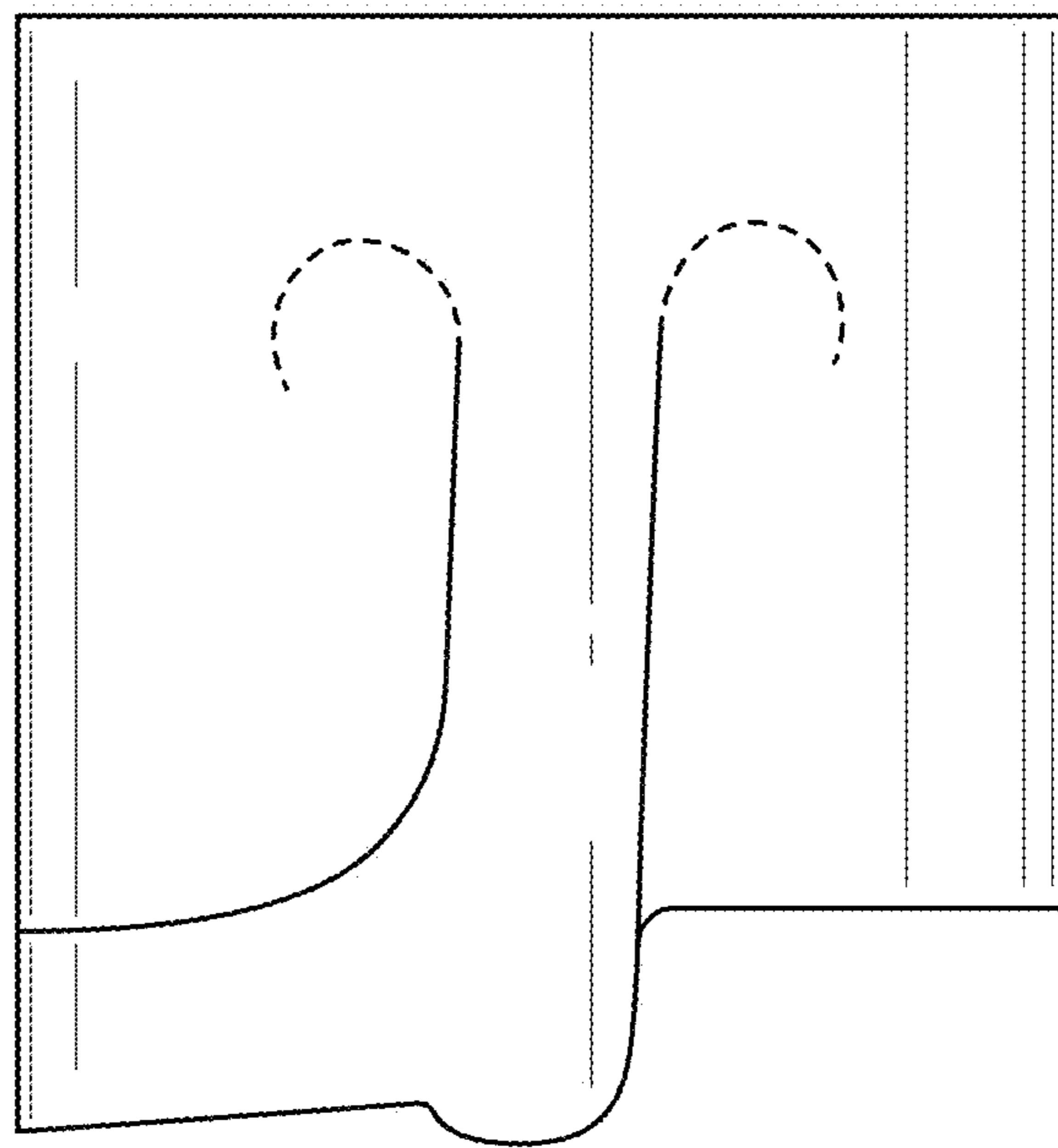


FIG. 32

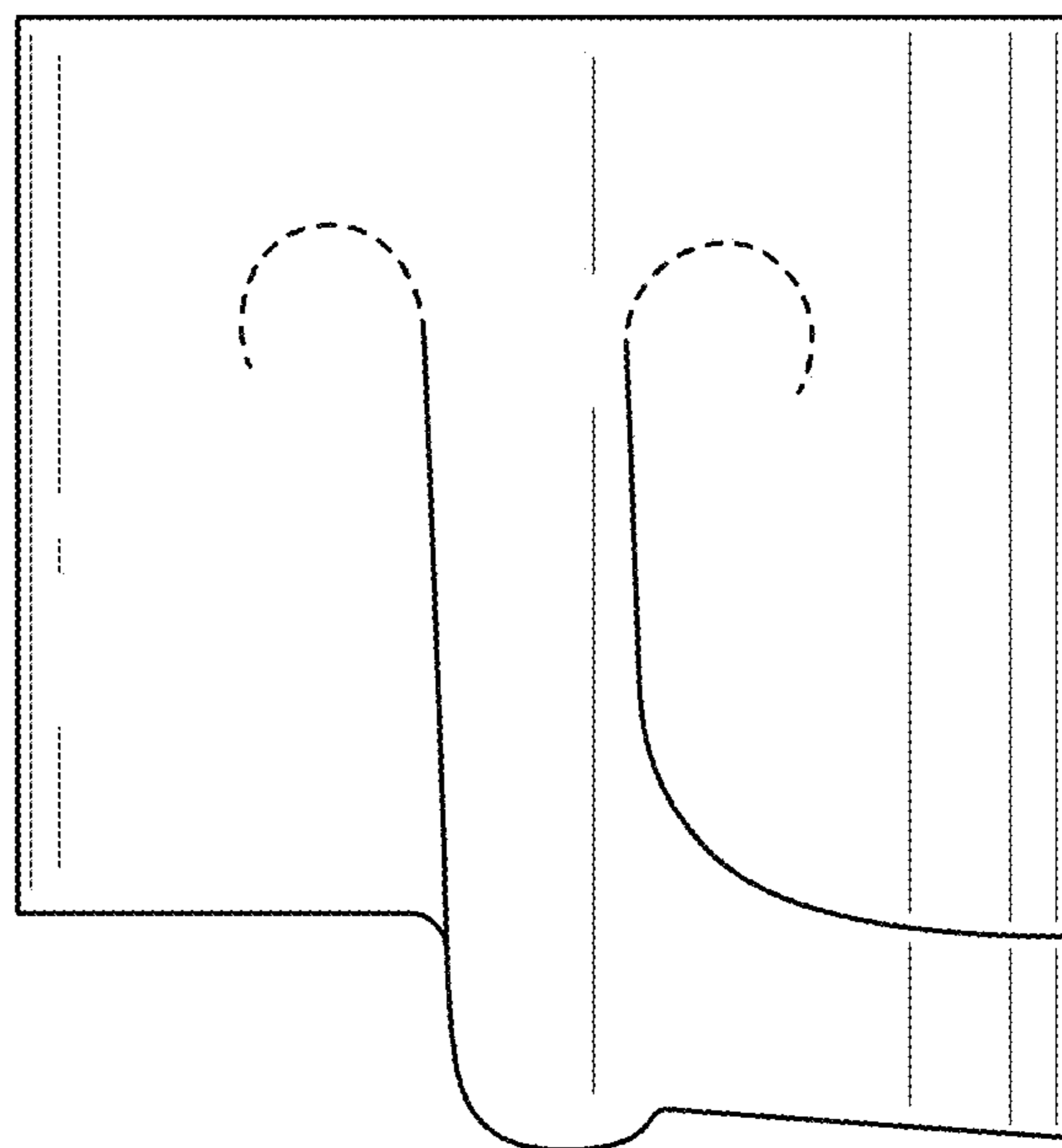


FIG. 33

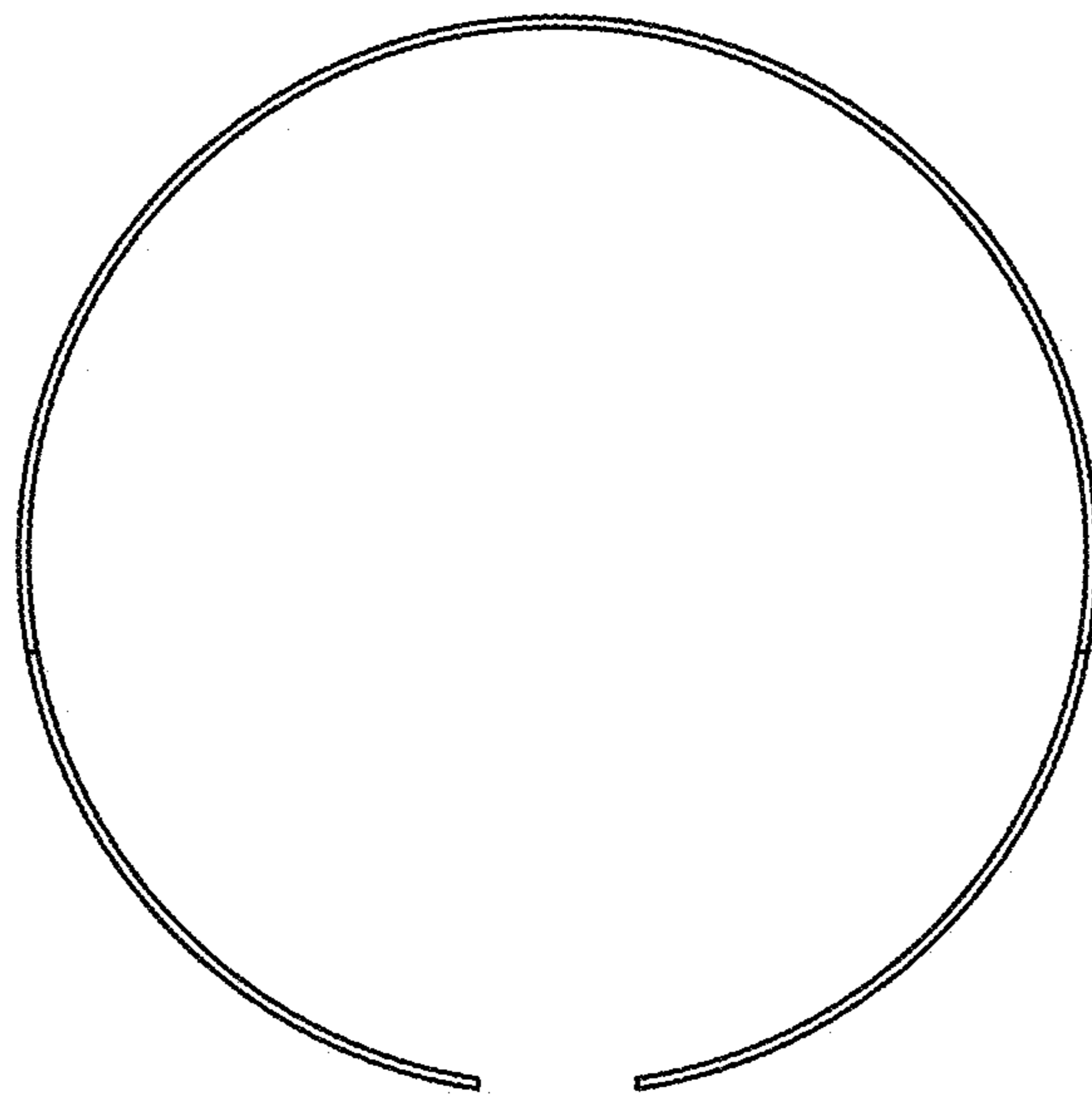


FIG. 34

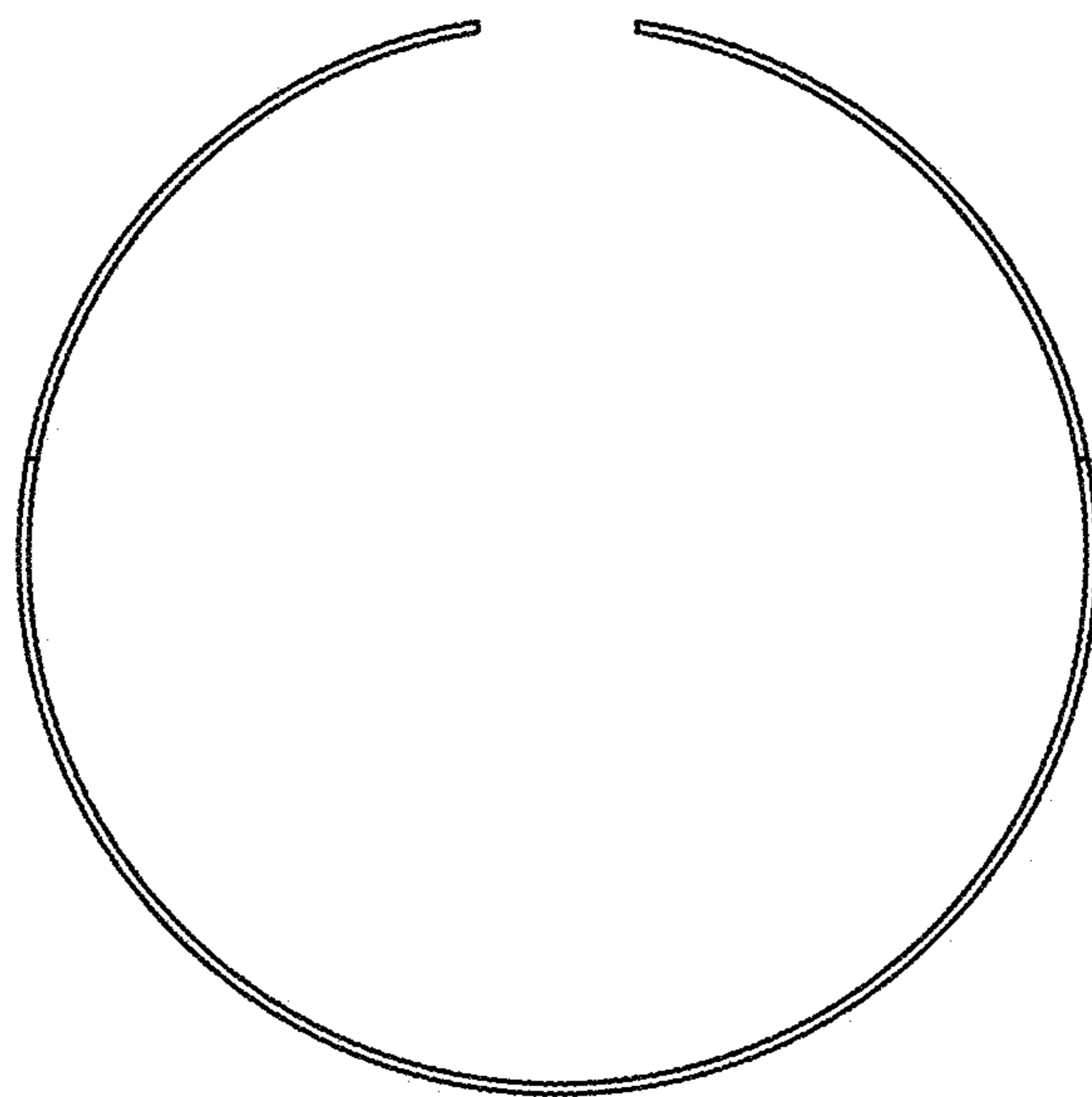


FIG. 35

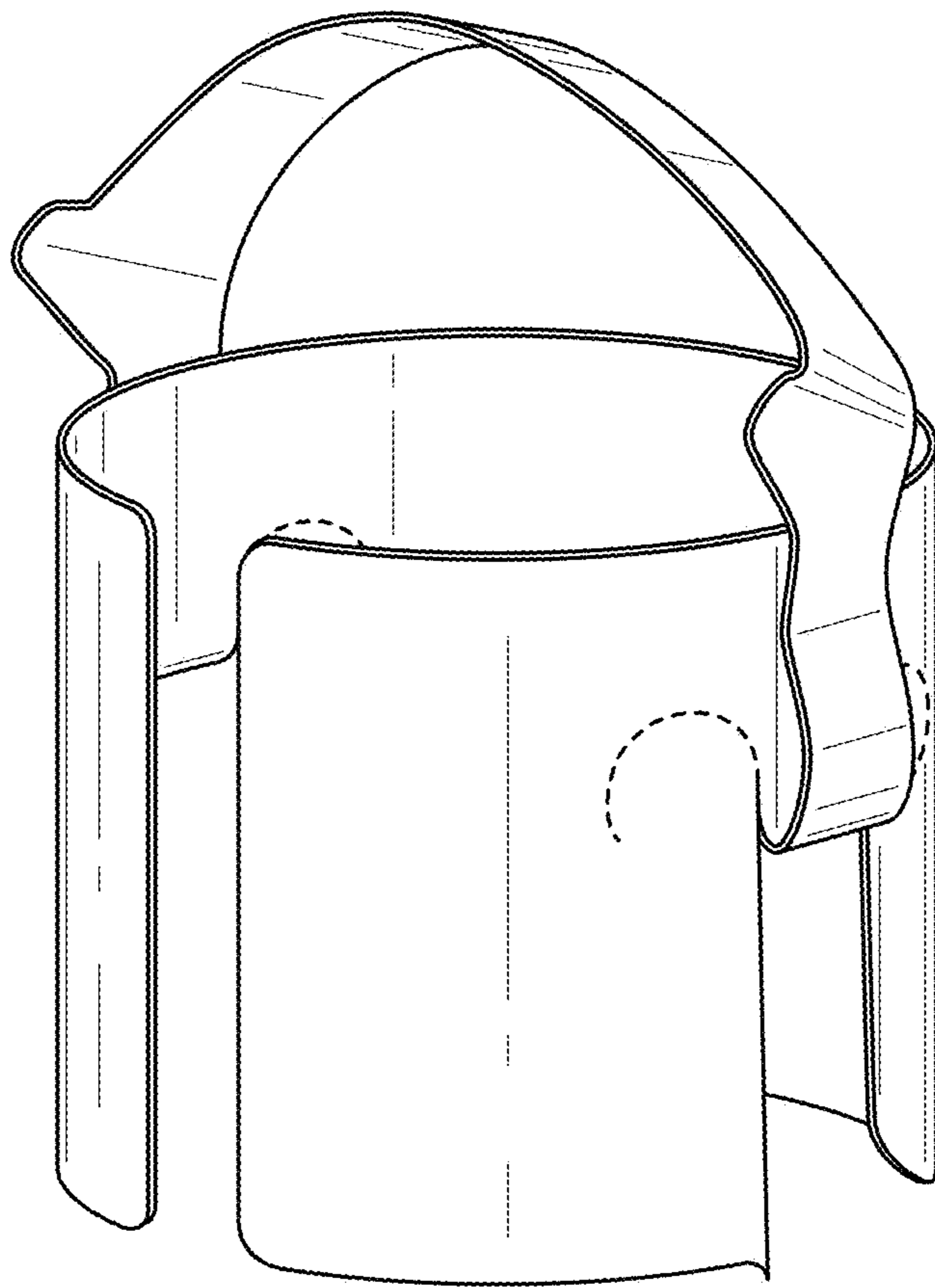


FIG. 36

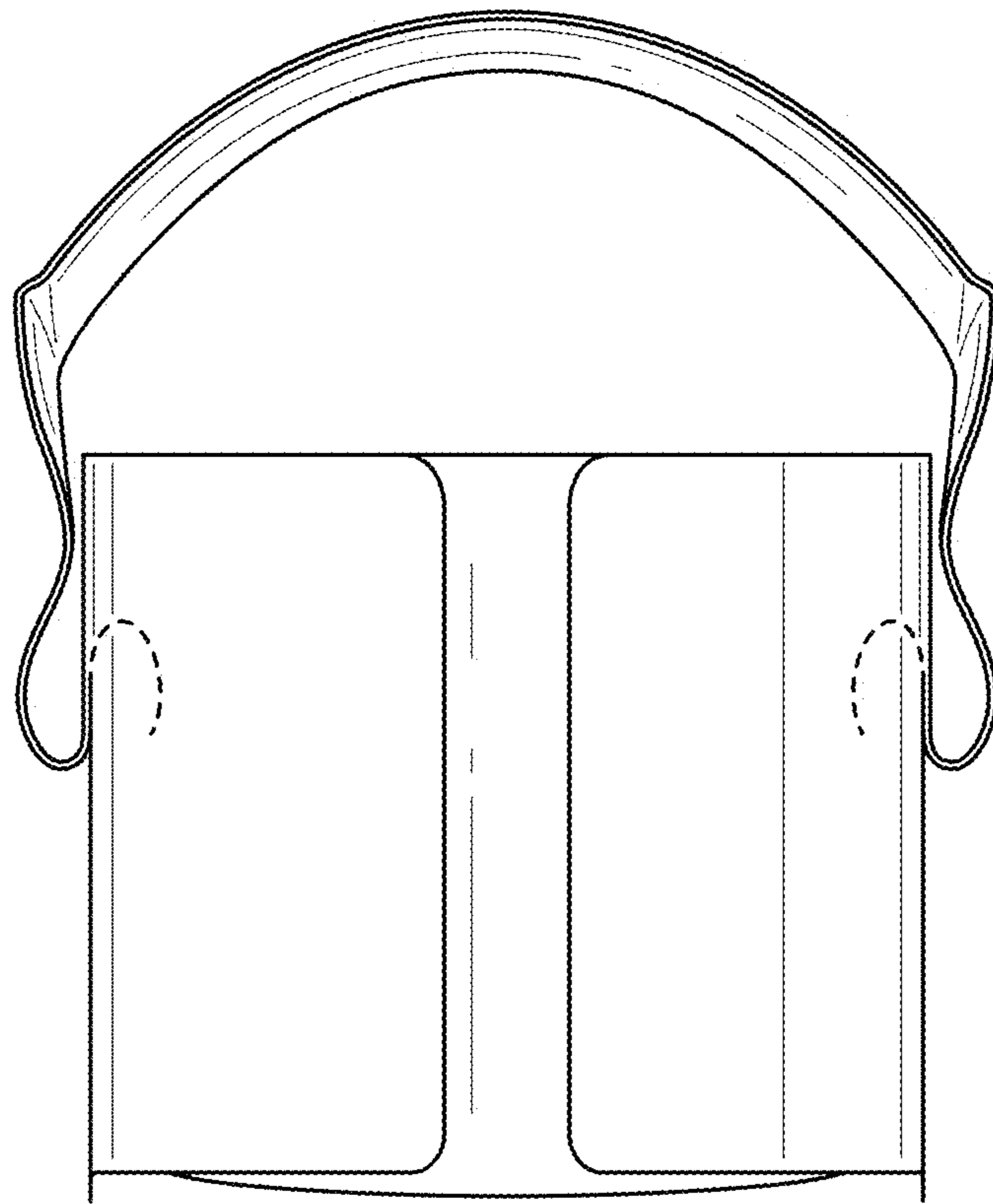


FIG. 37

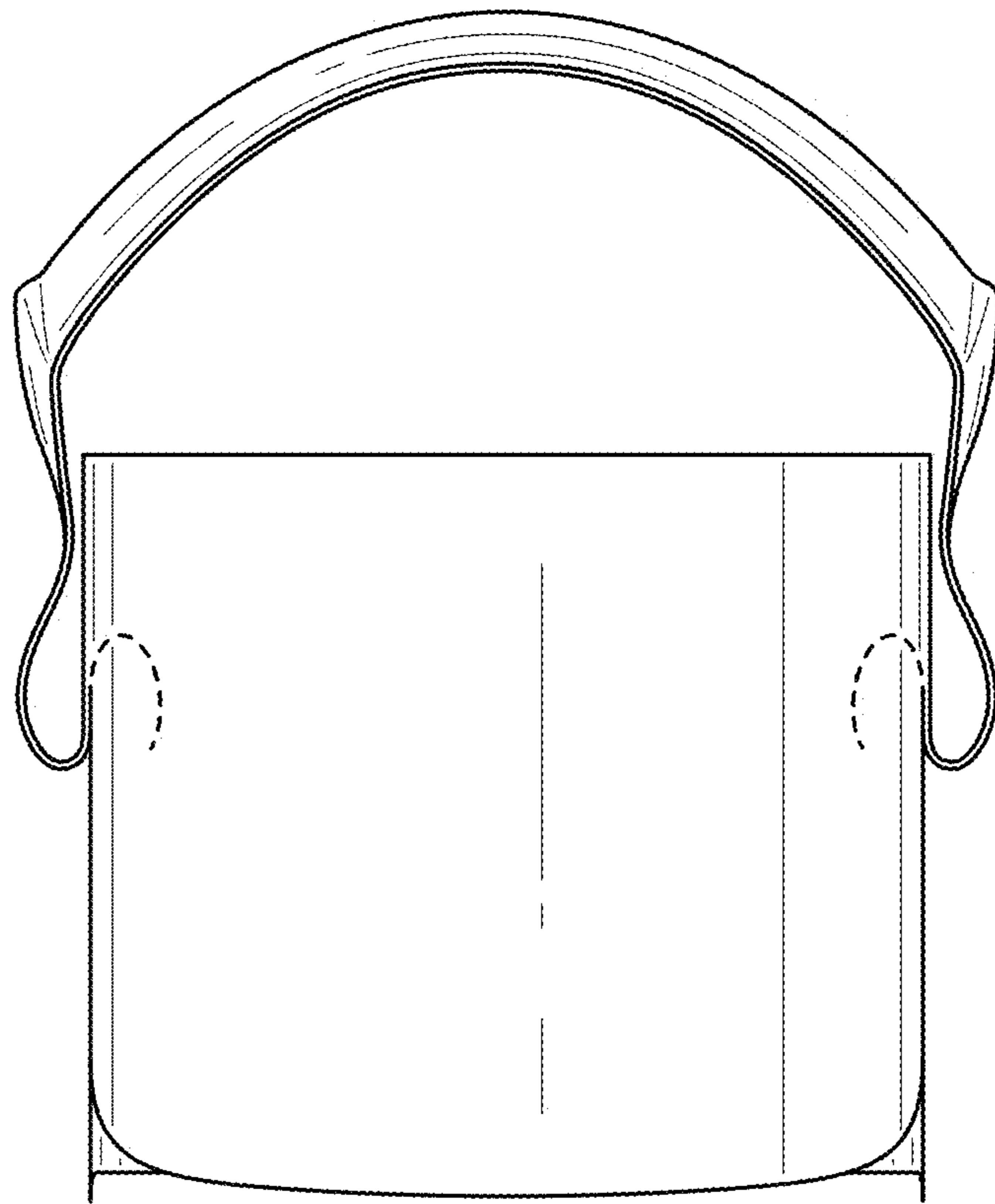


FIG. 38

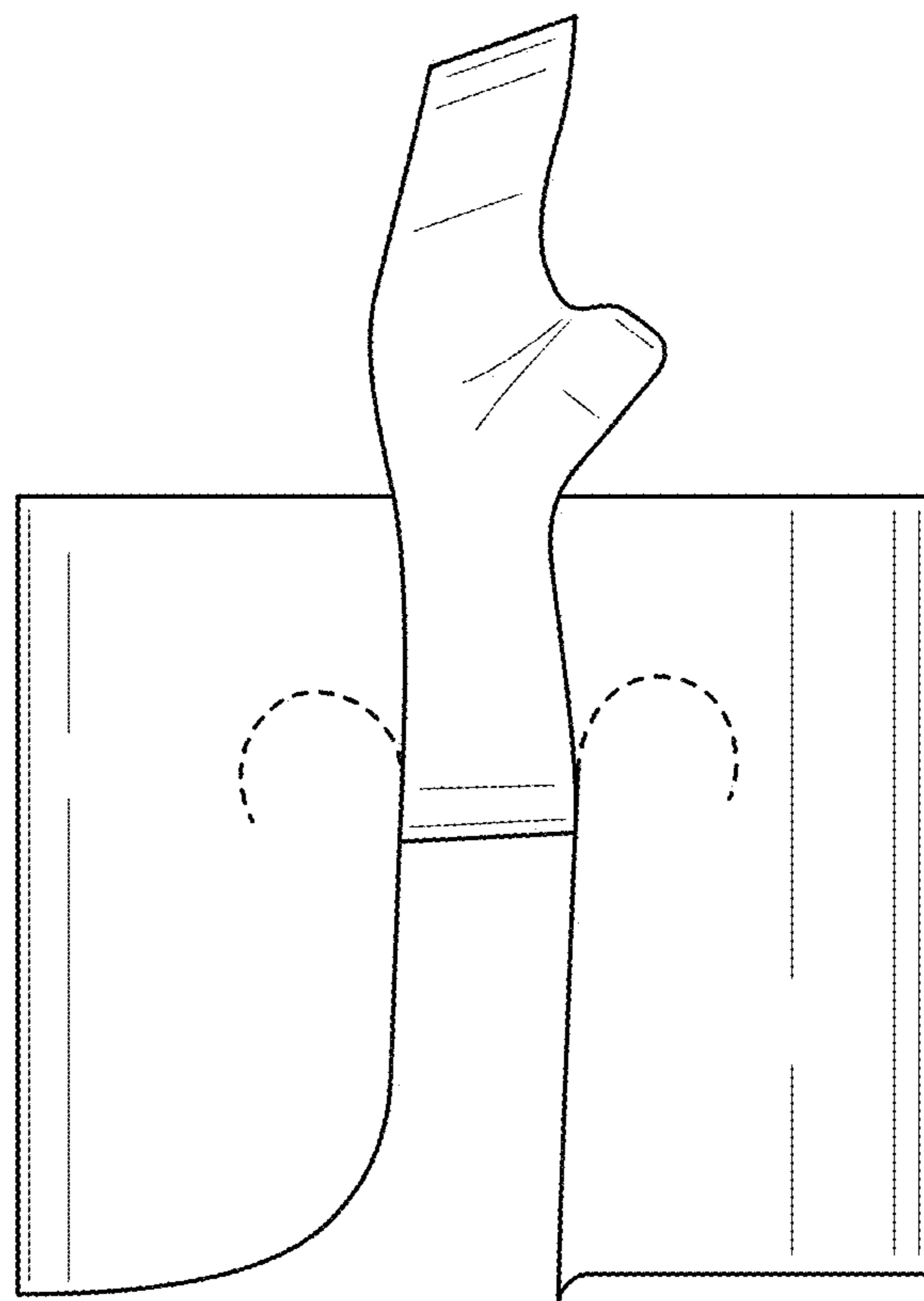


FIG. 39

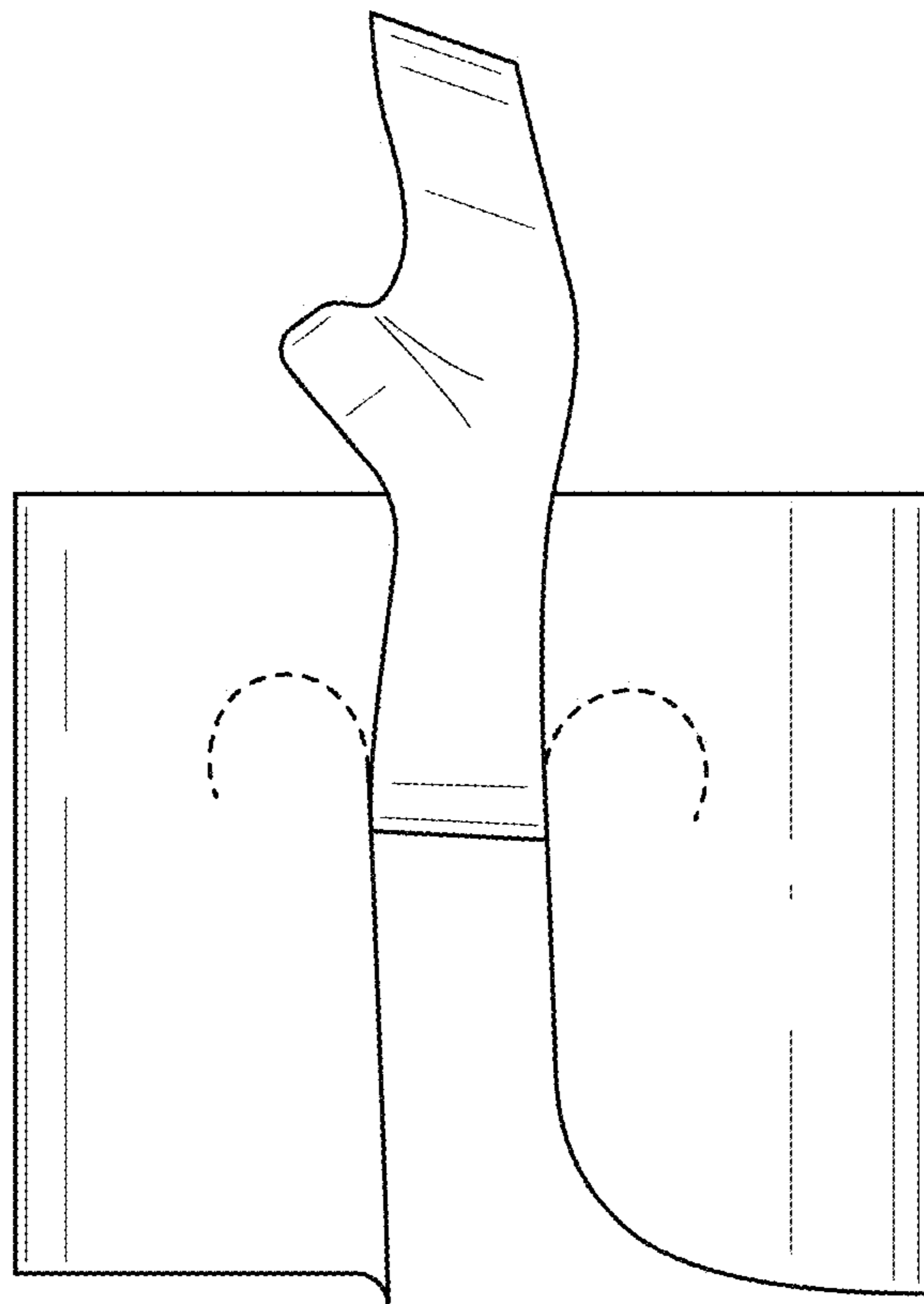


FIG. 40

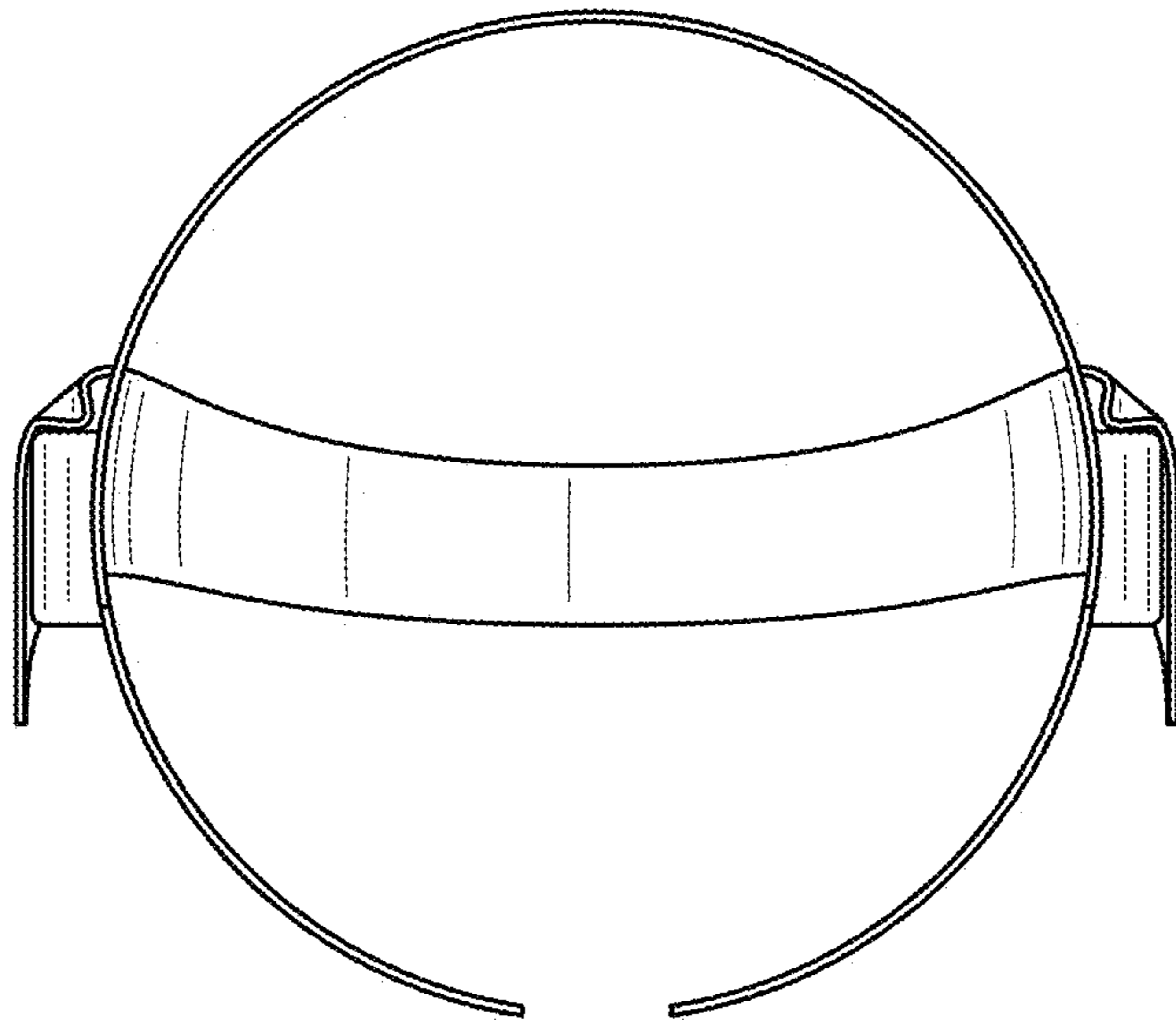


FIG. 41

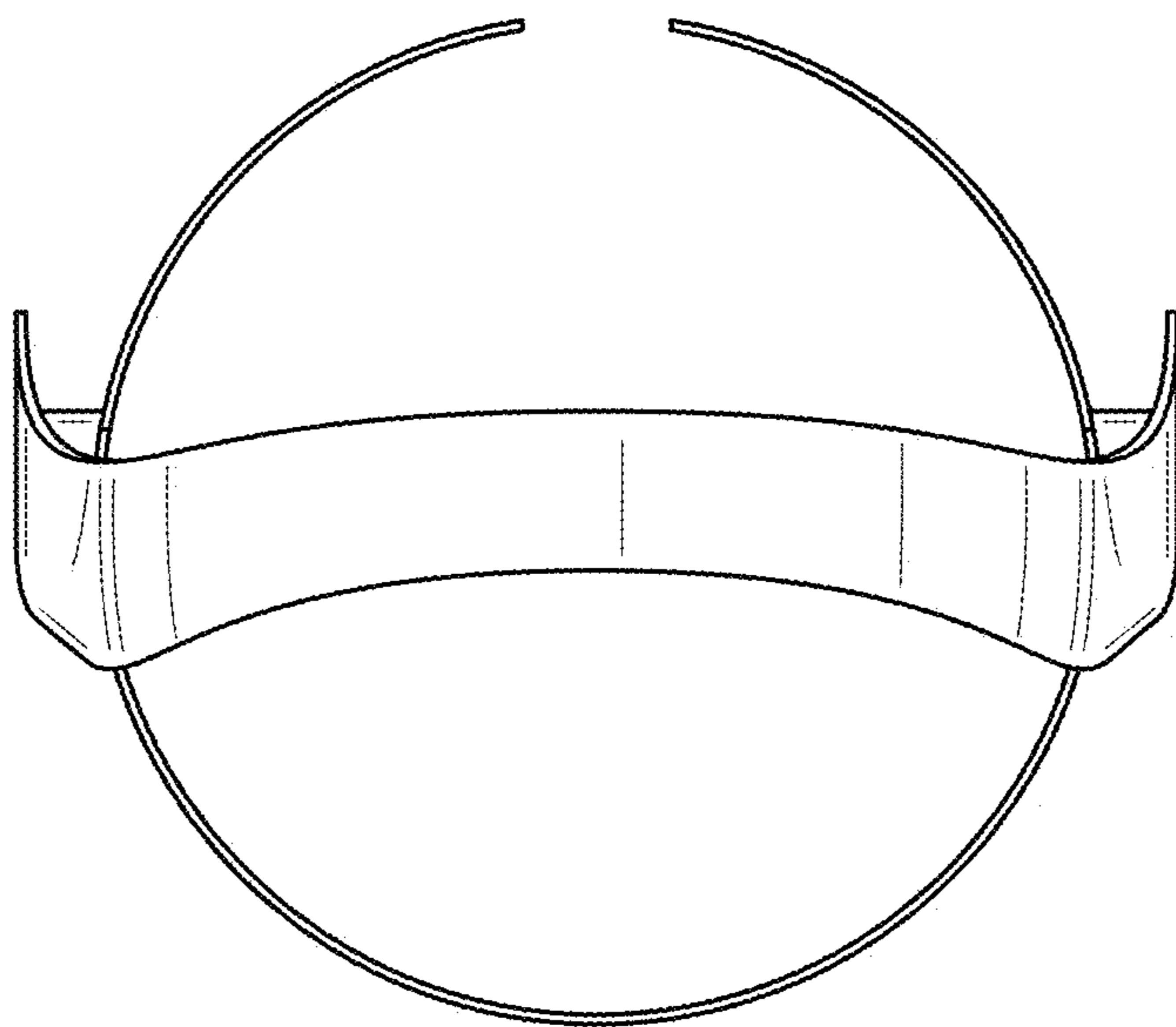


FIG. 42

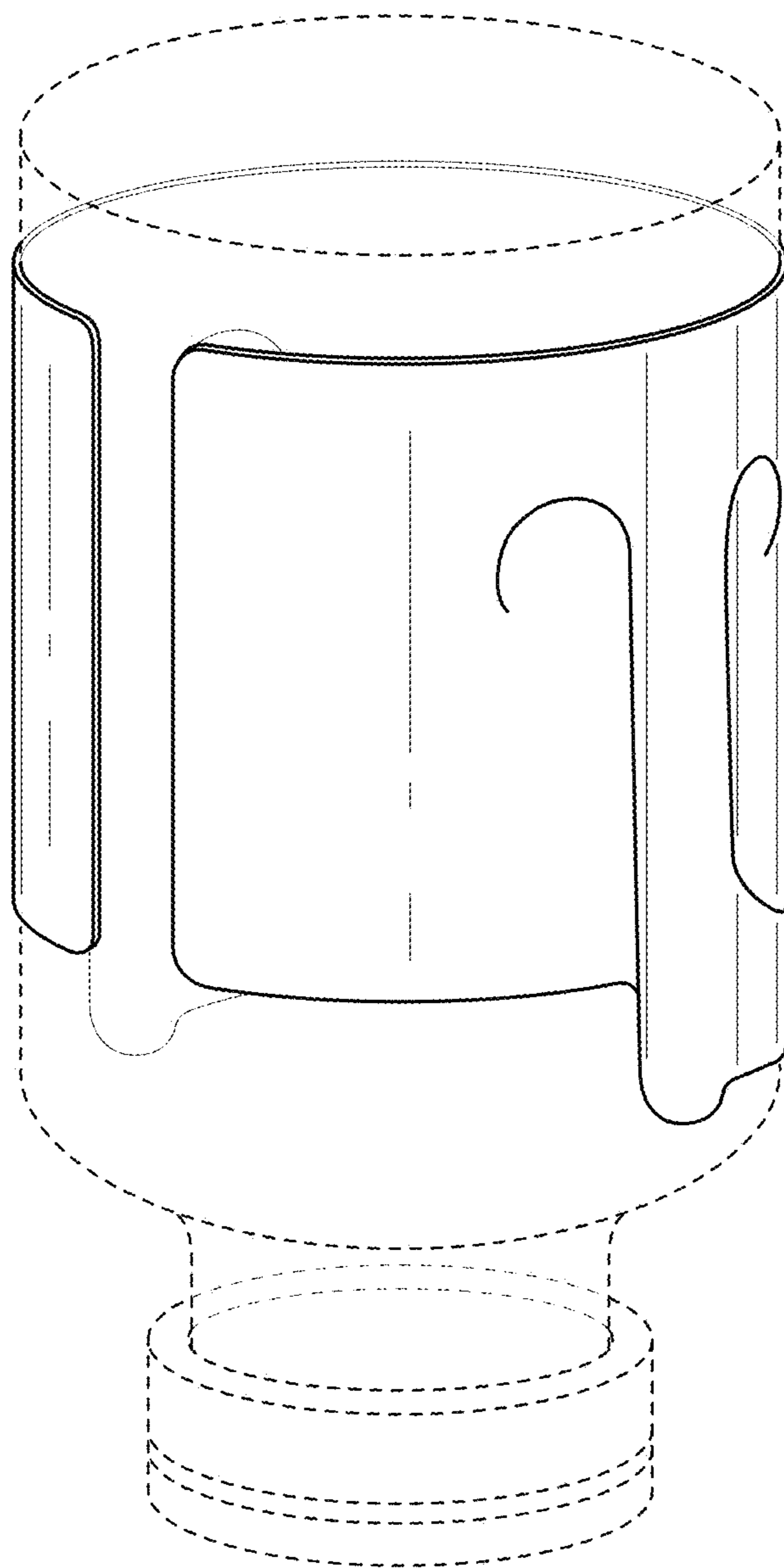


FIG. 43

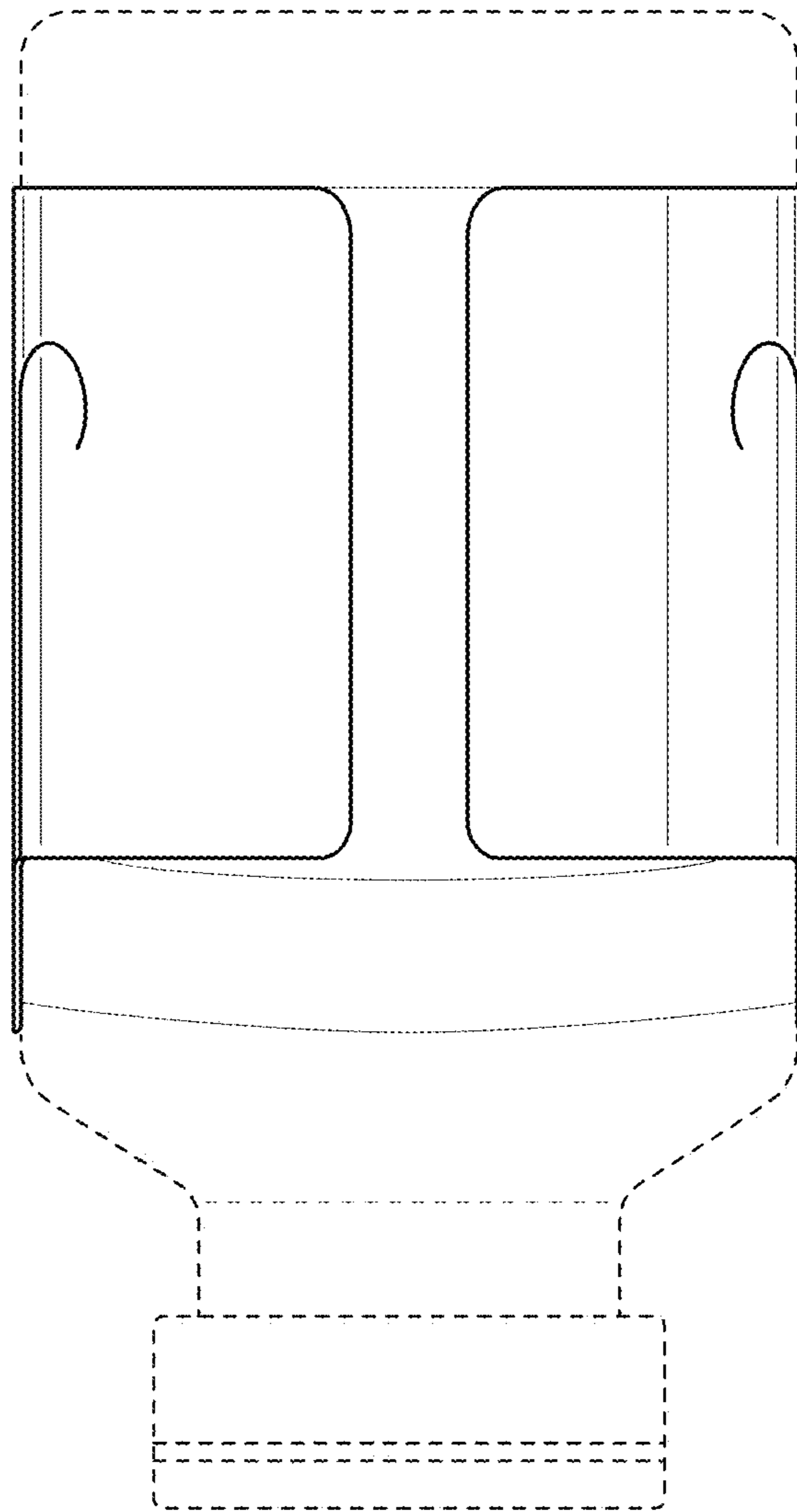


FIG. 44

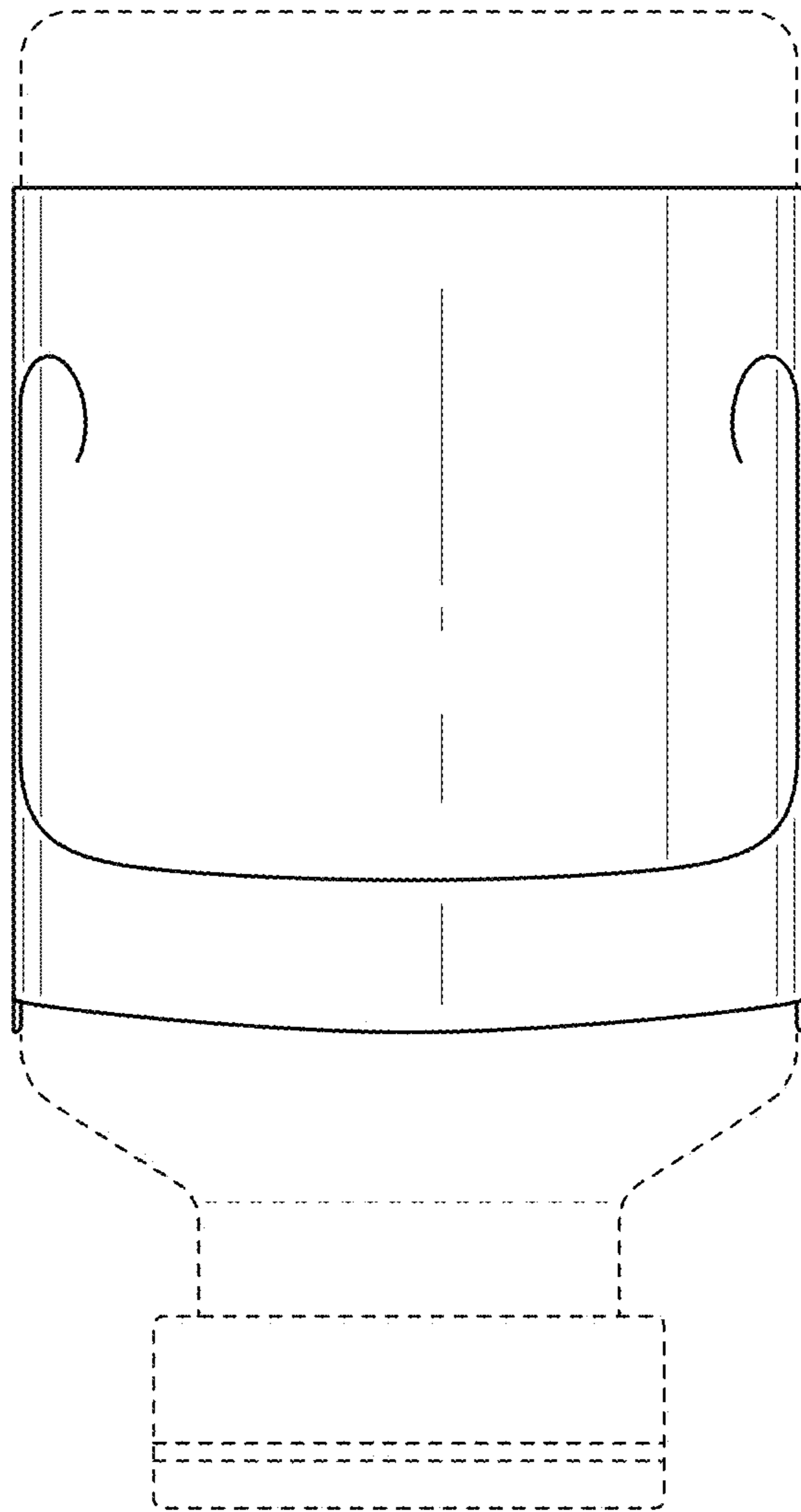


FIG. 45

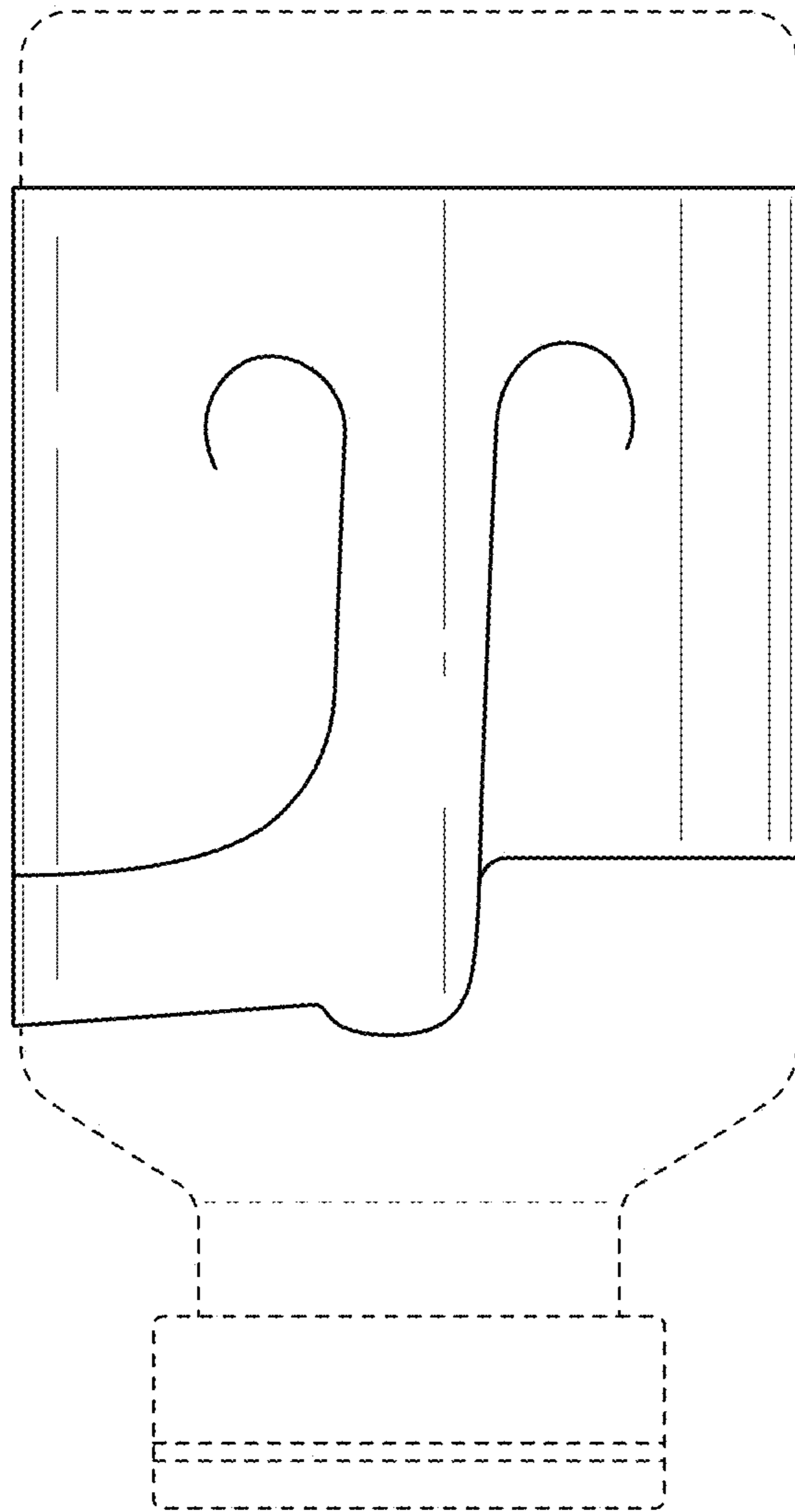


FIG. 46

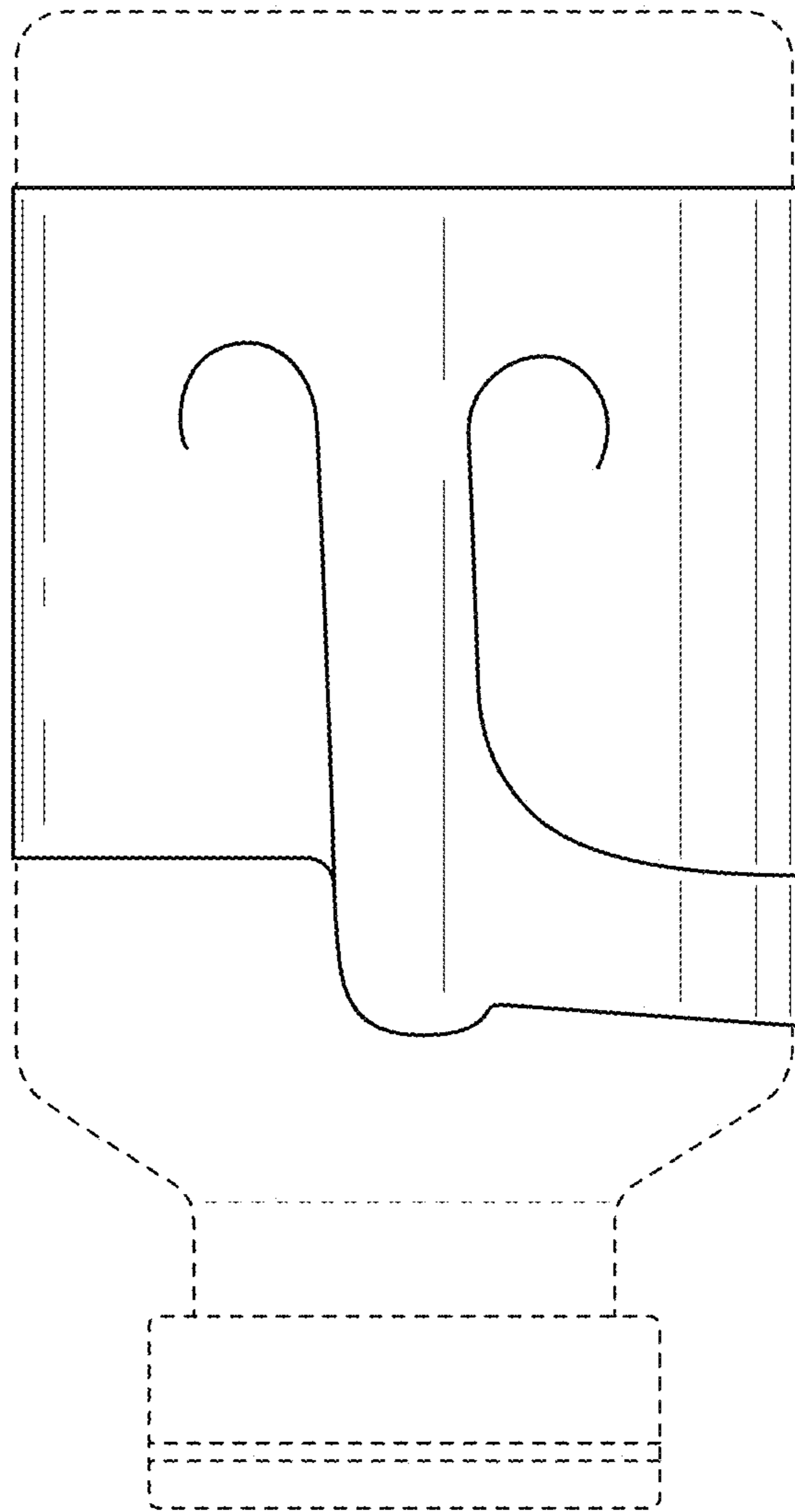


FIG. 47

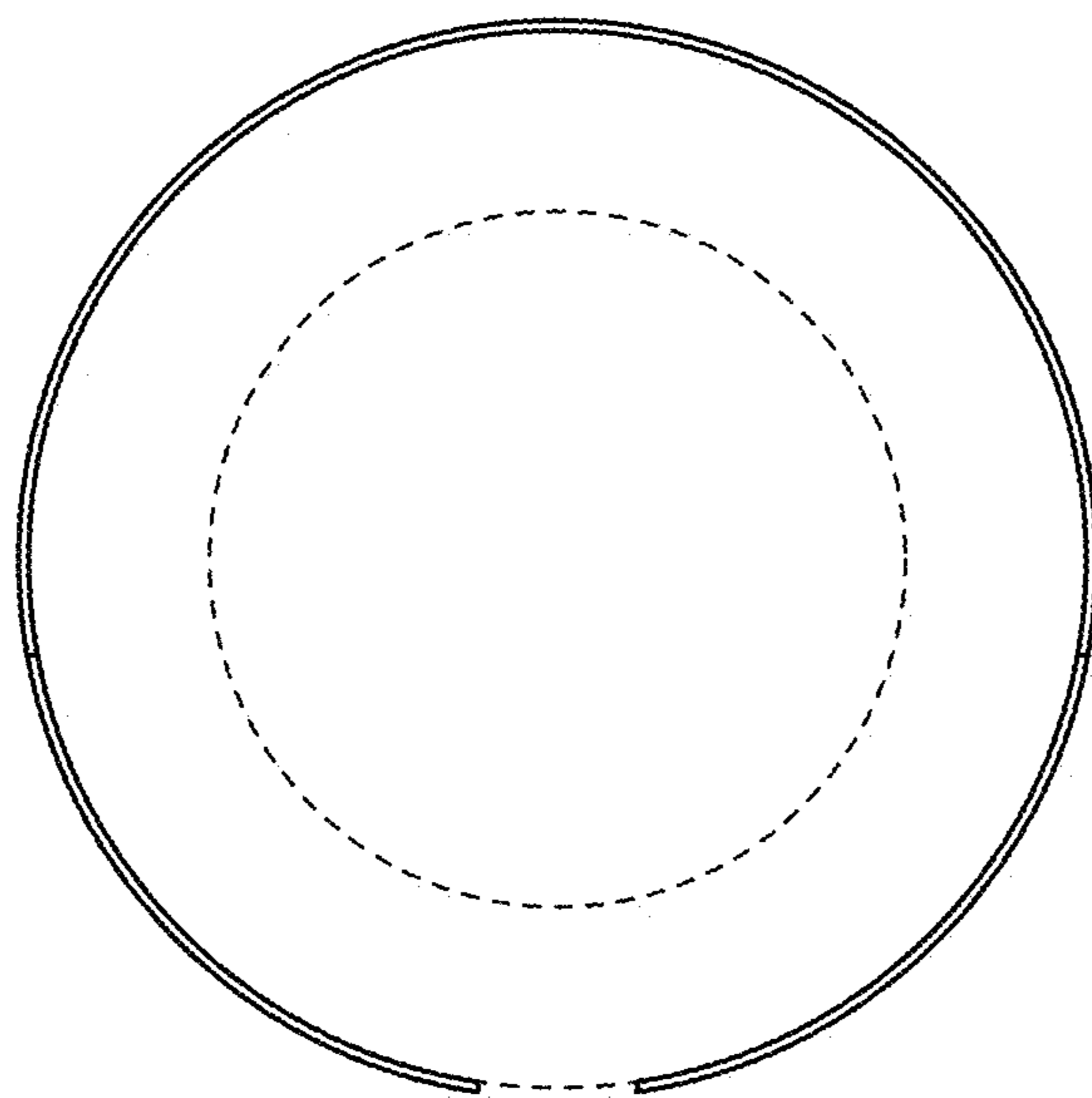


FIG. 48

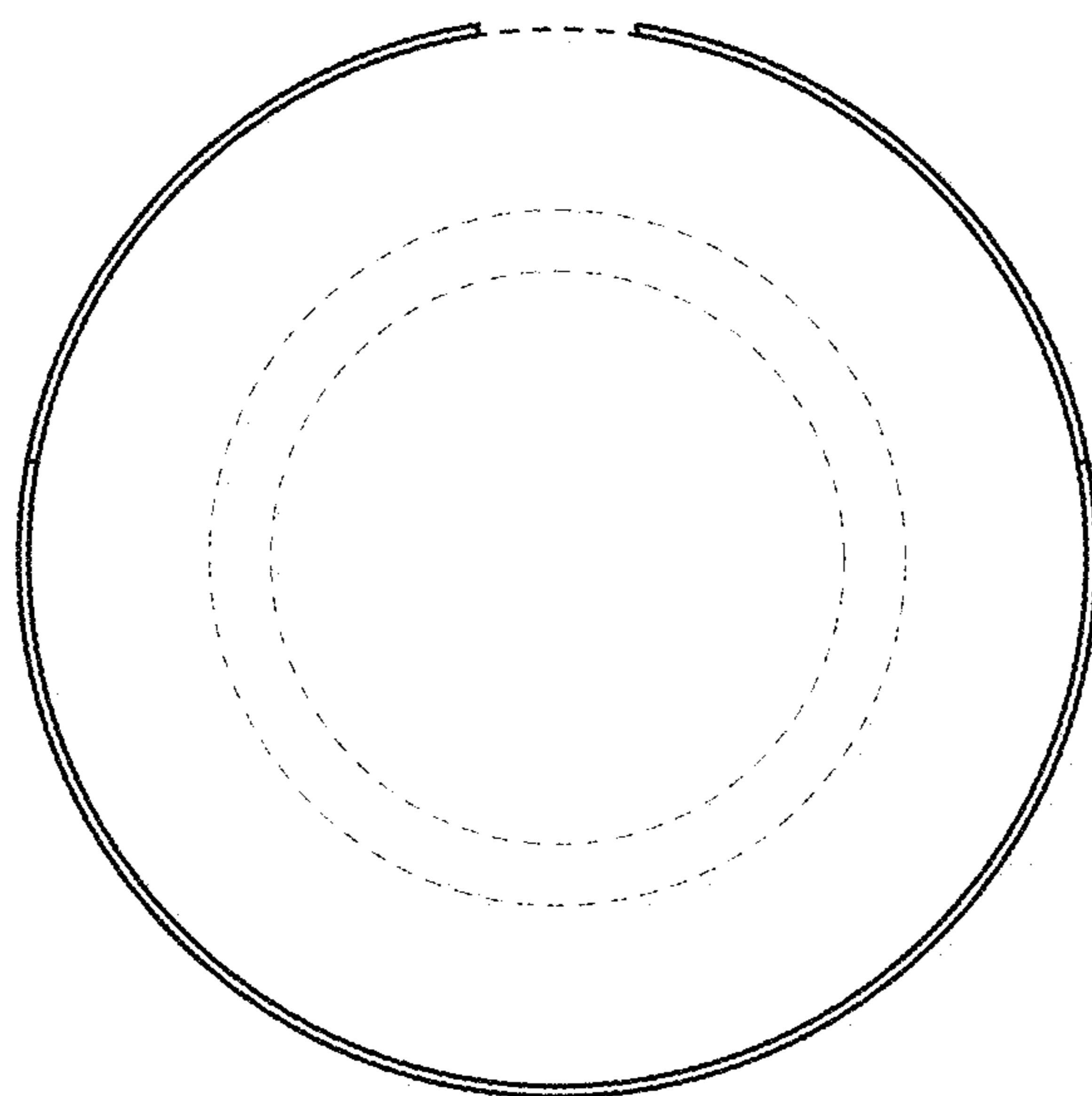


FIG. 49

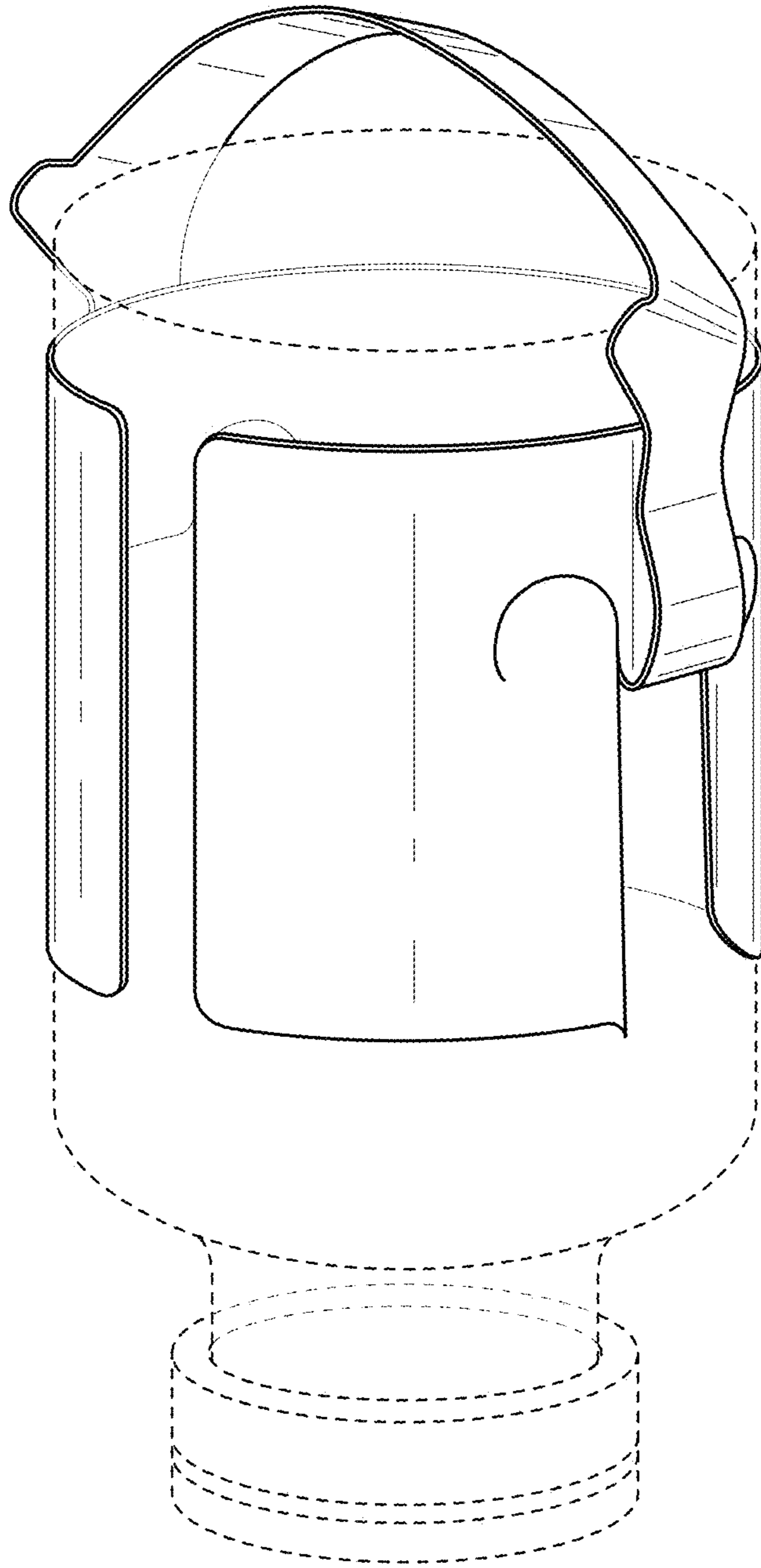


FIG. 50

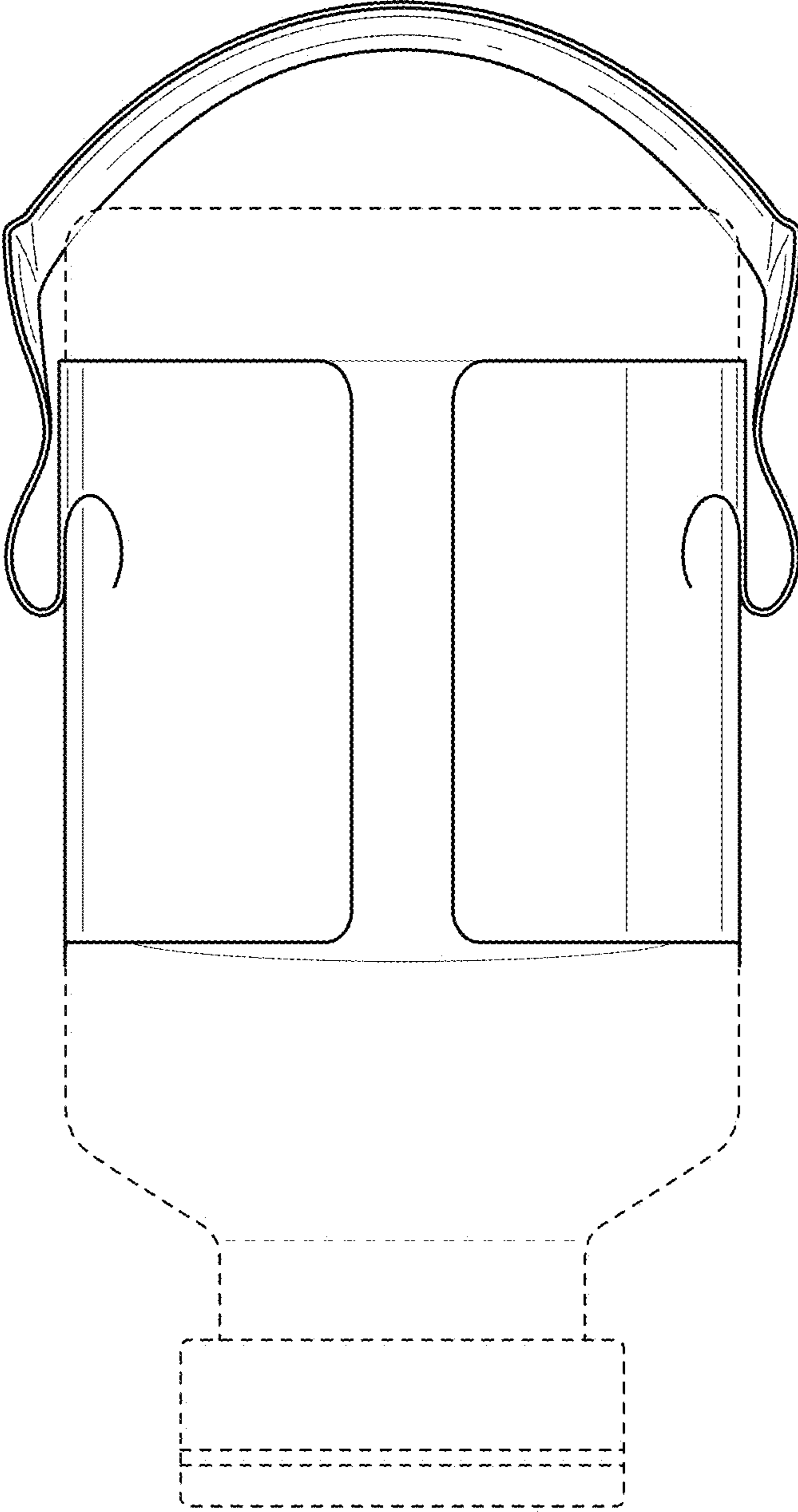


FIG. 51

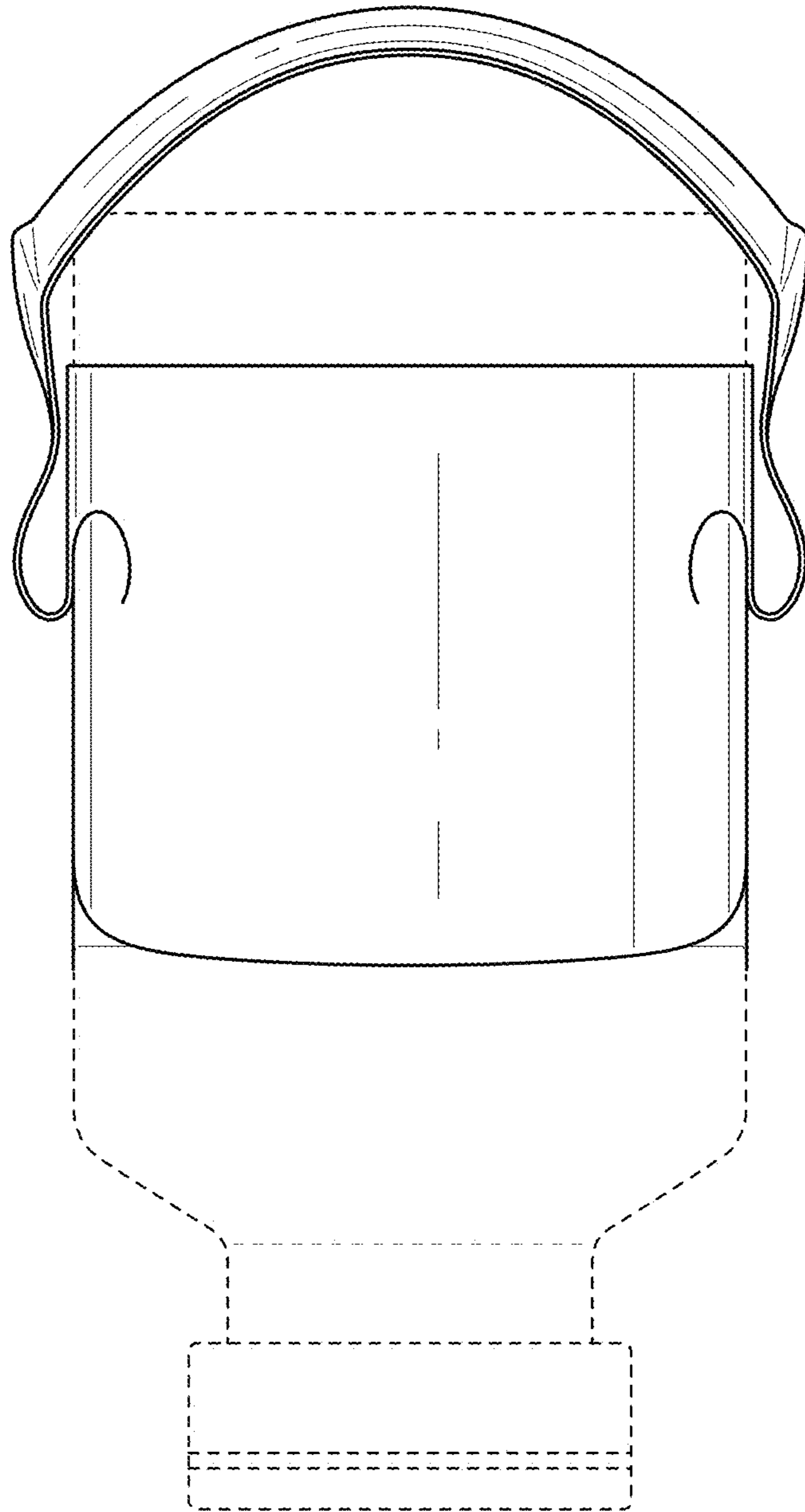


FIG. 52

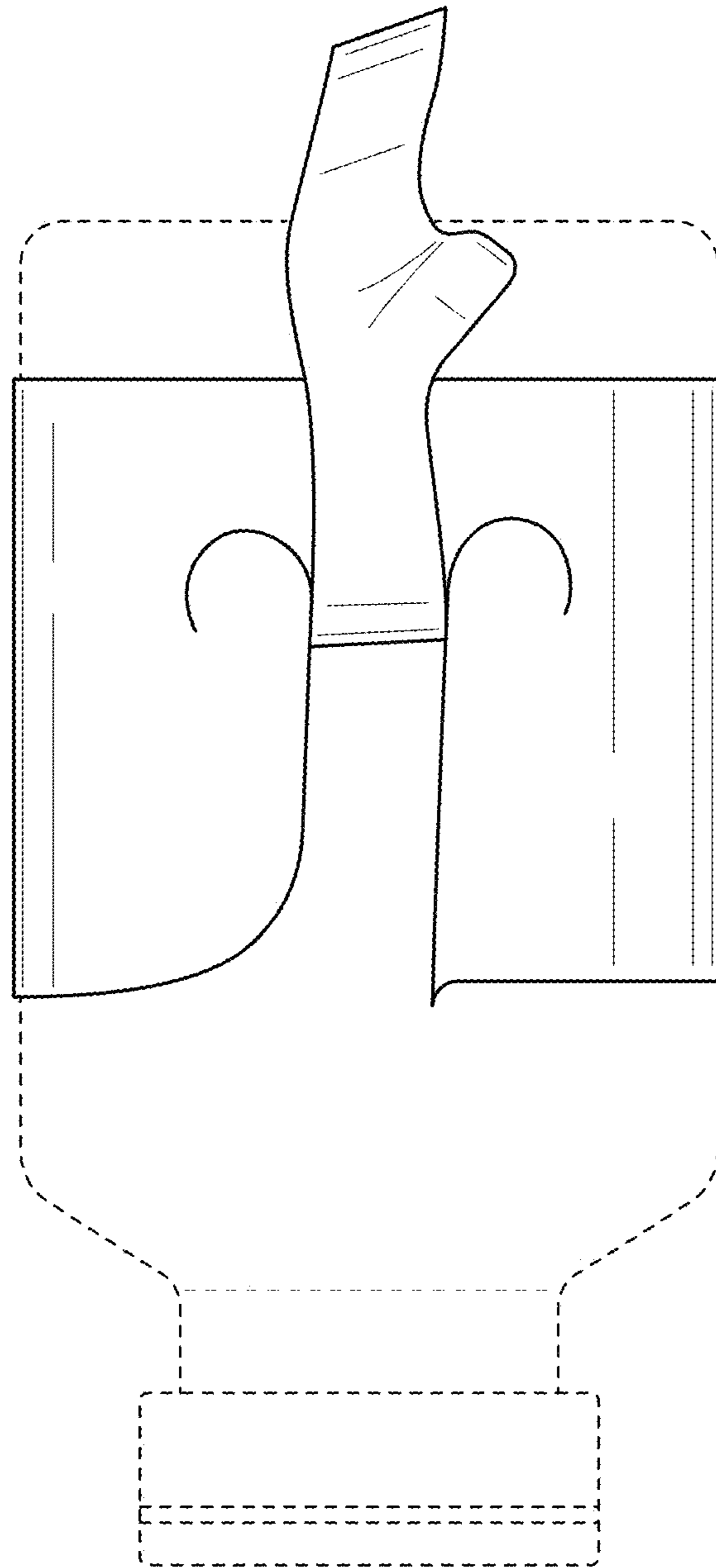


FIG. 53

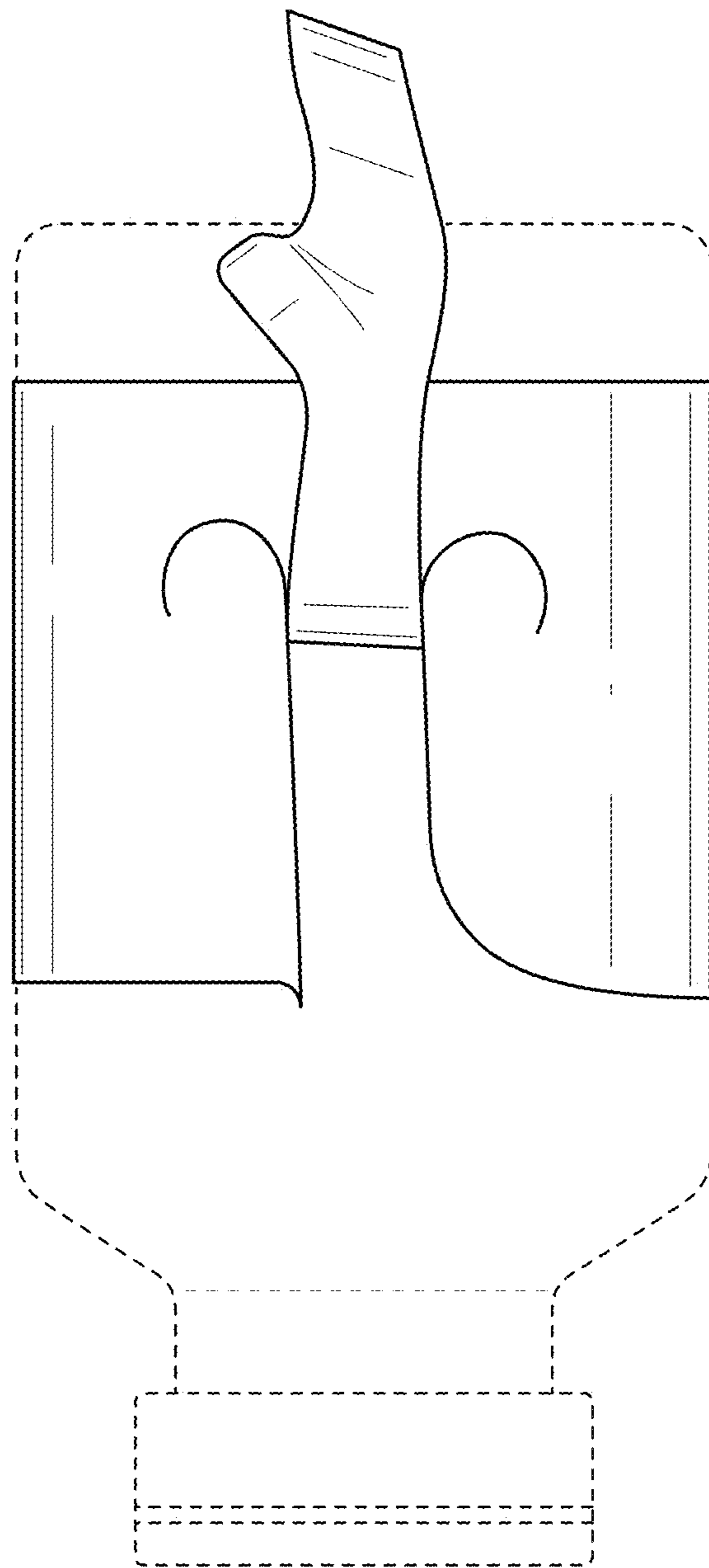


FIG. 54

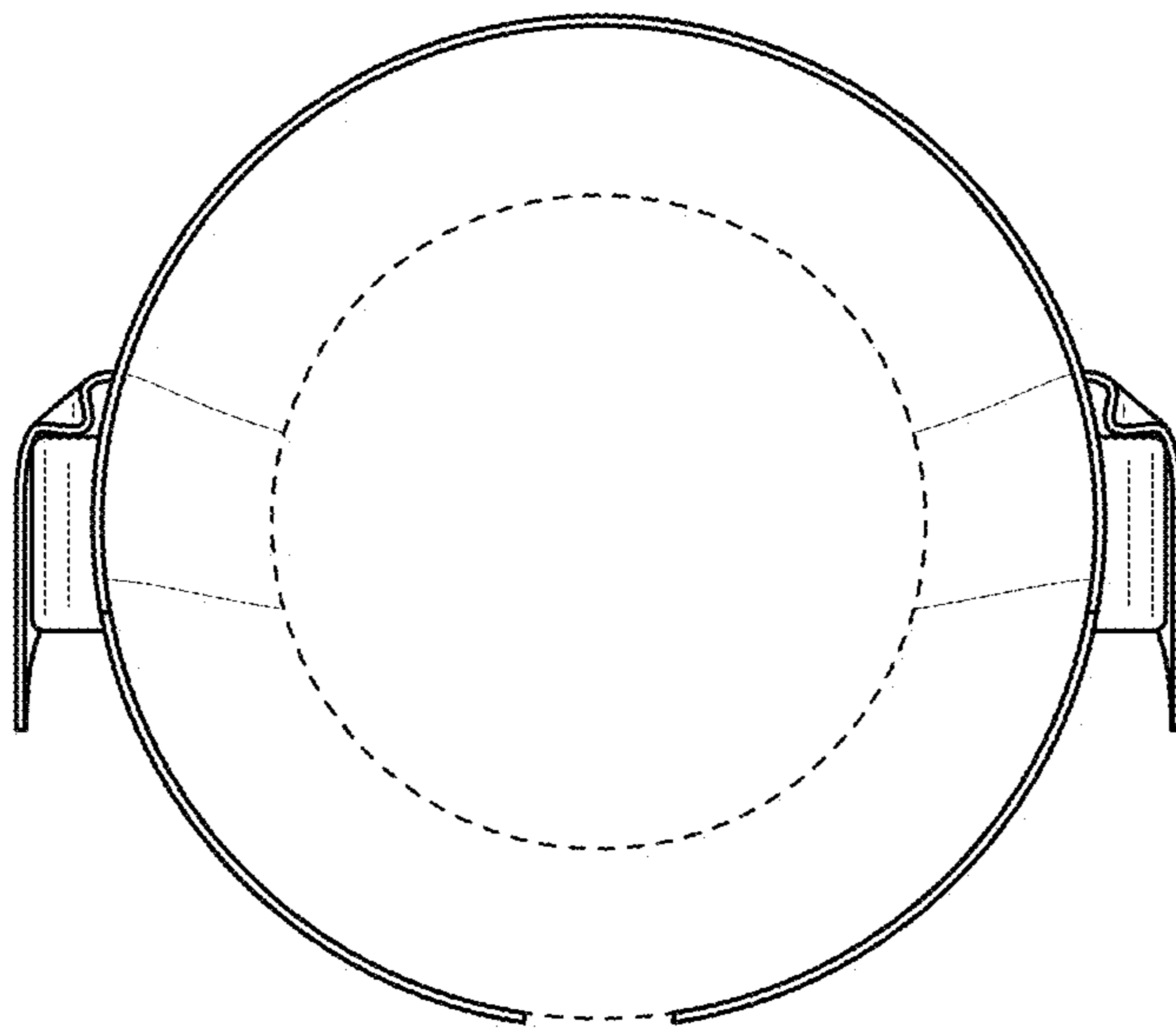


FIG. 55

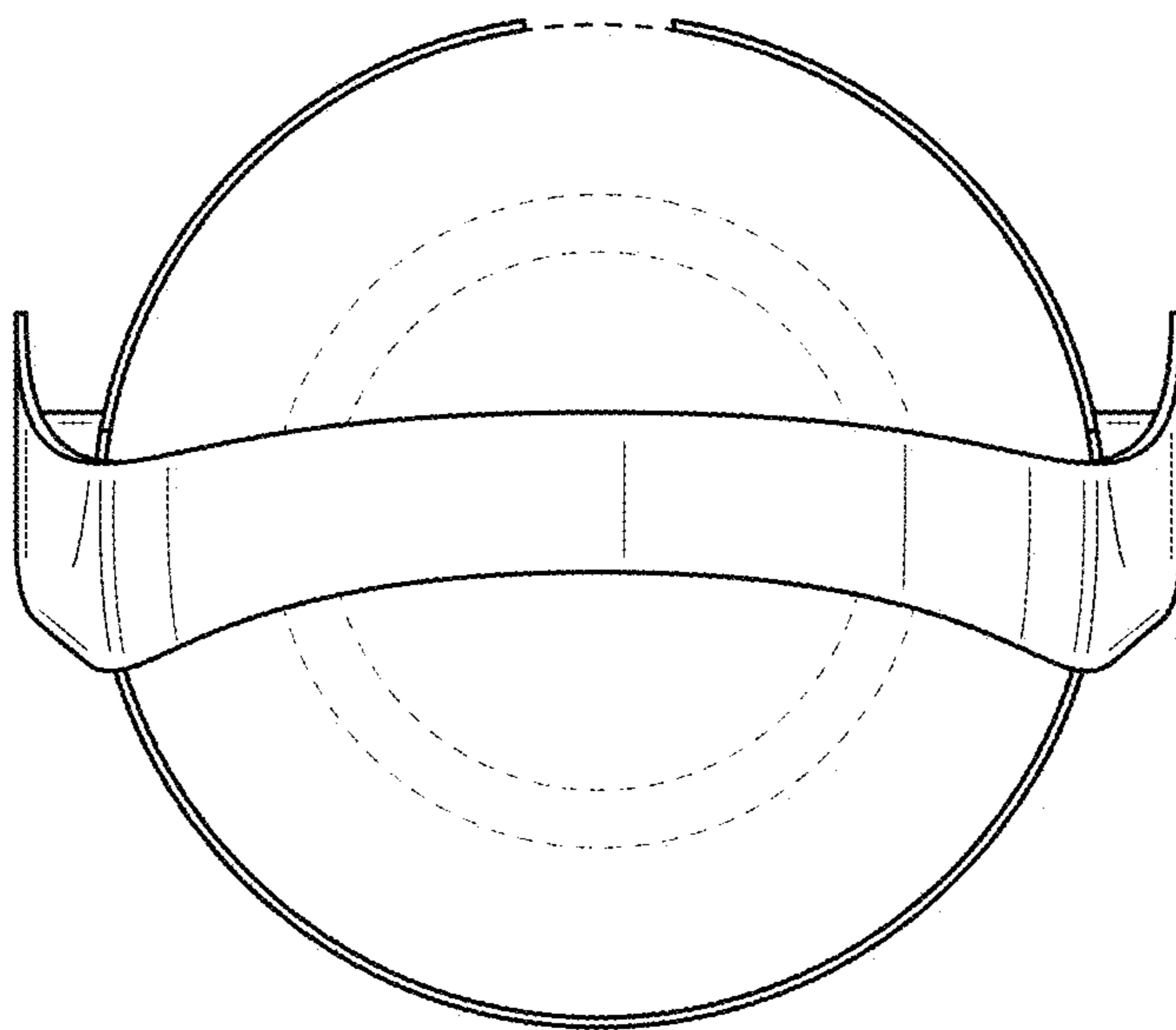


FIG. 56

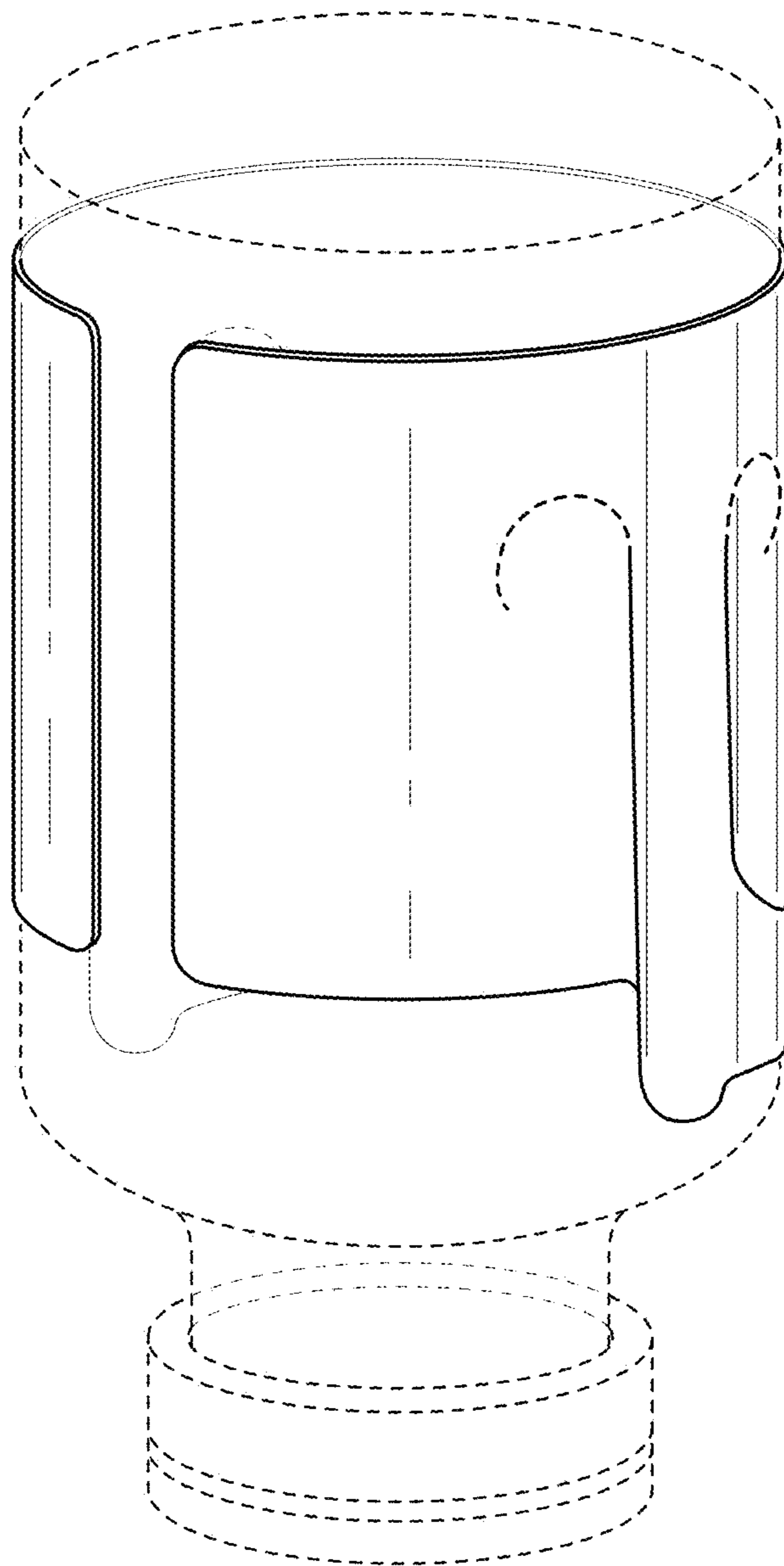


FIG. 57

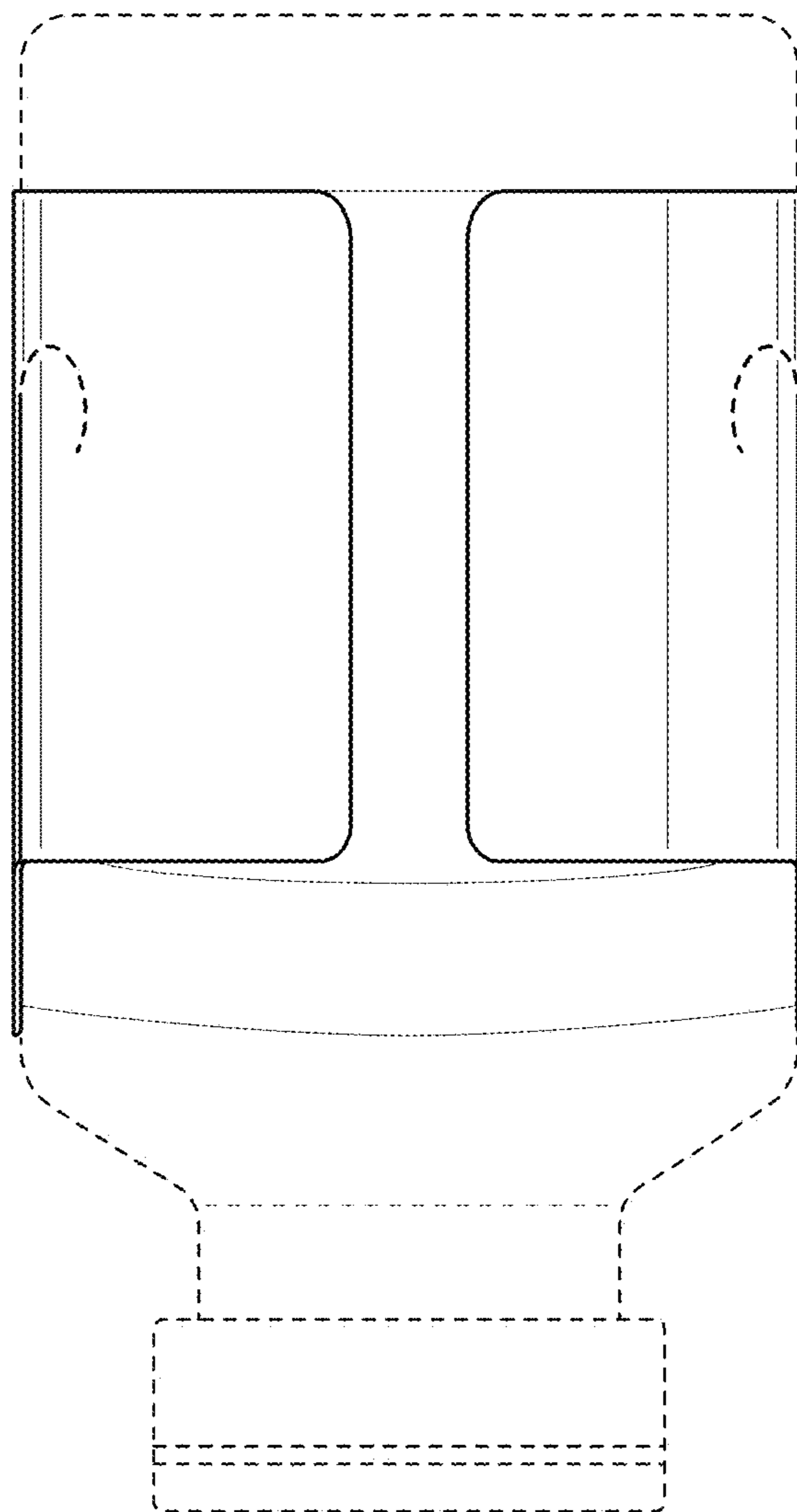


FIG. 58

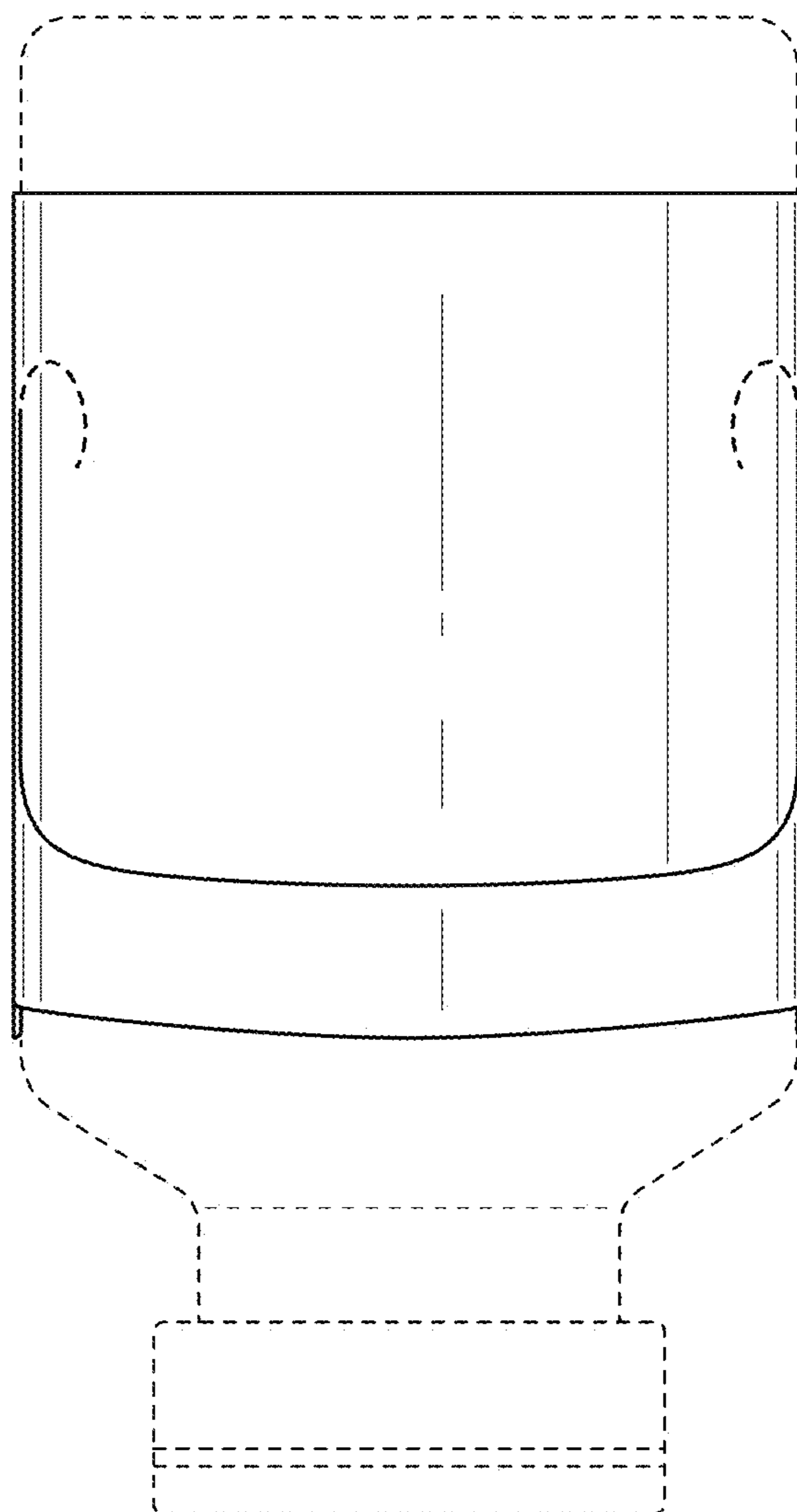


FIG. 59

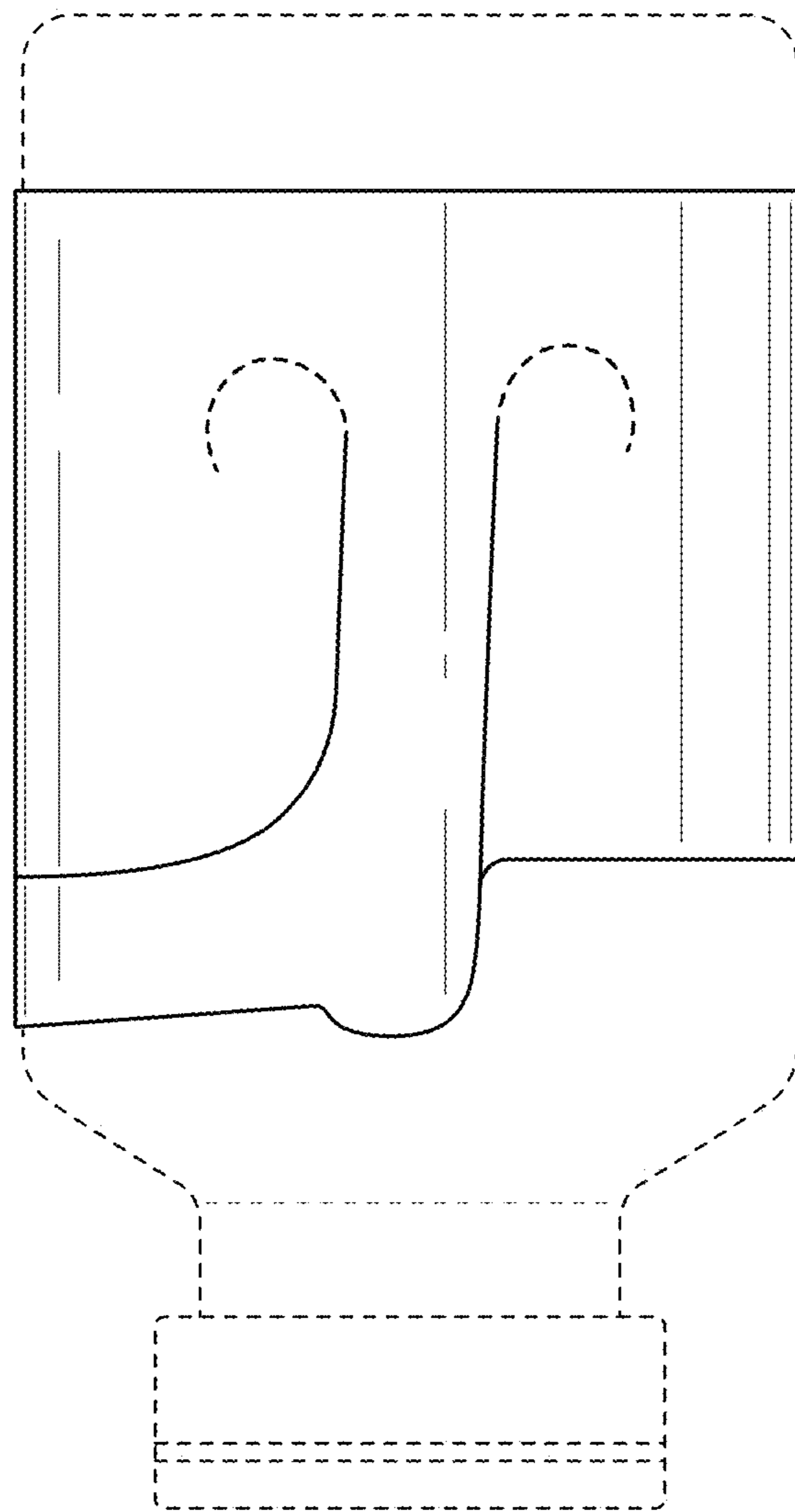


FIG. 60

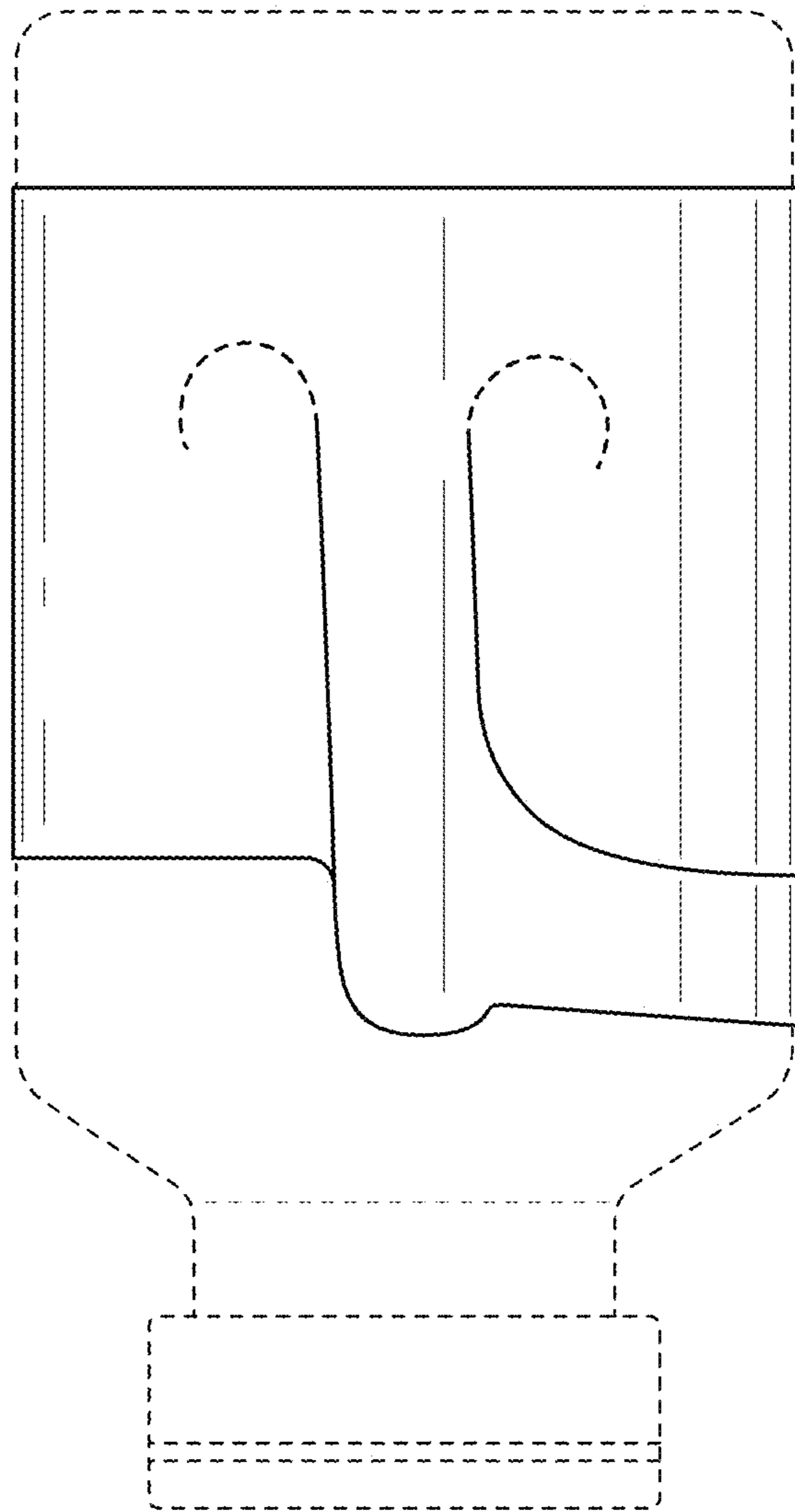


FIG. 61

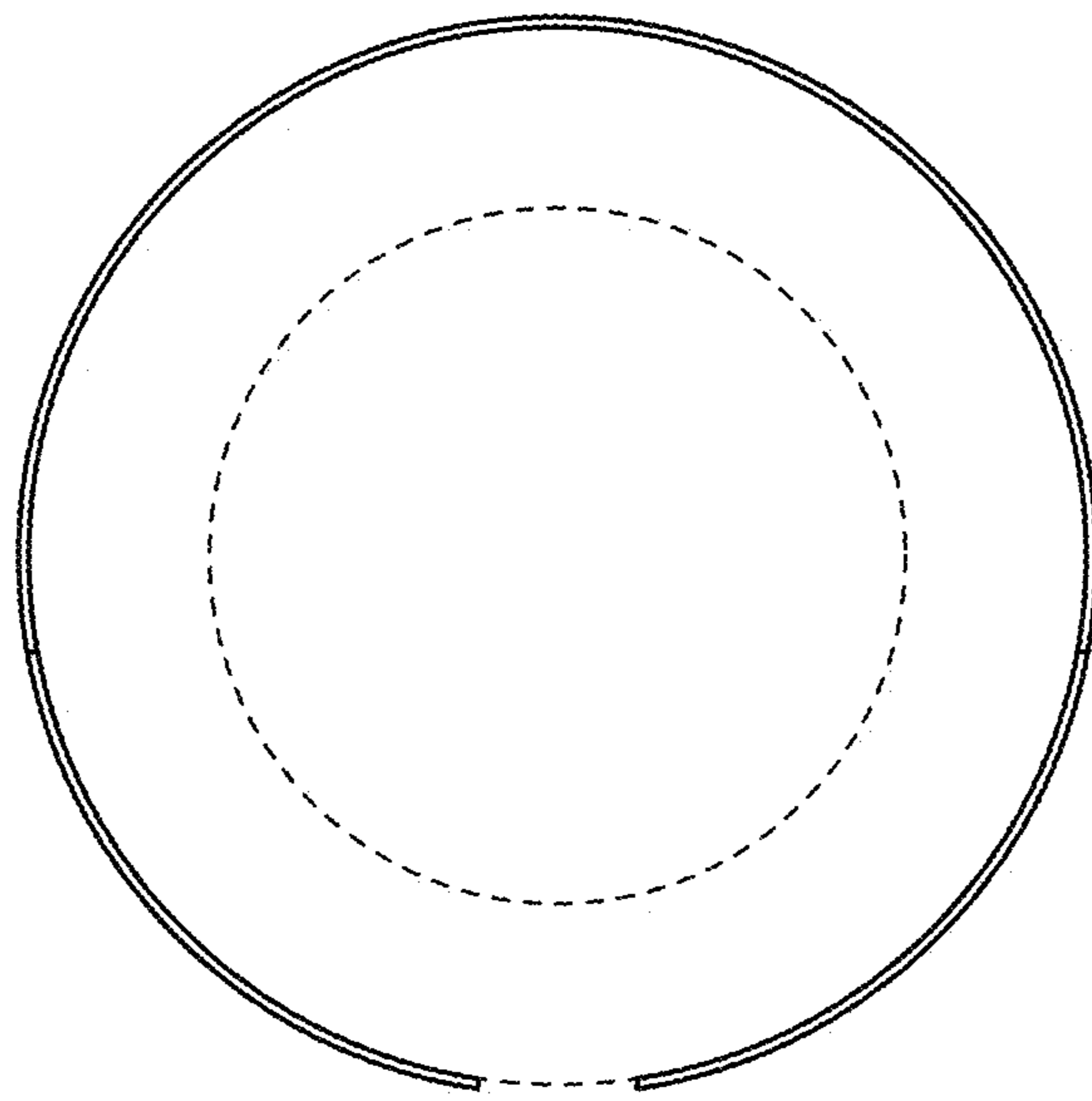


FIG. 62

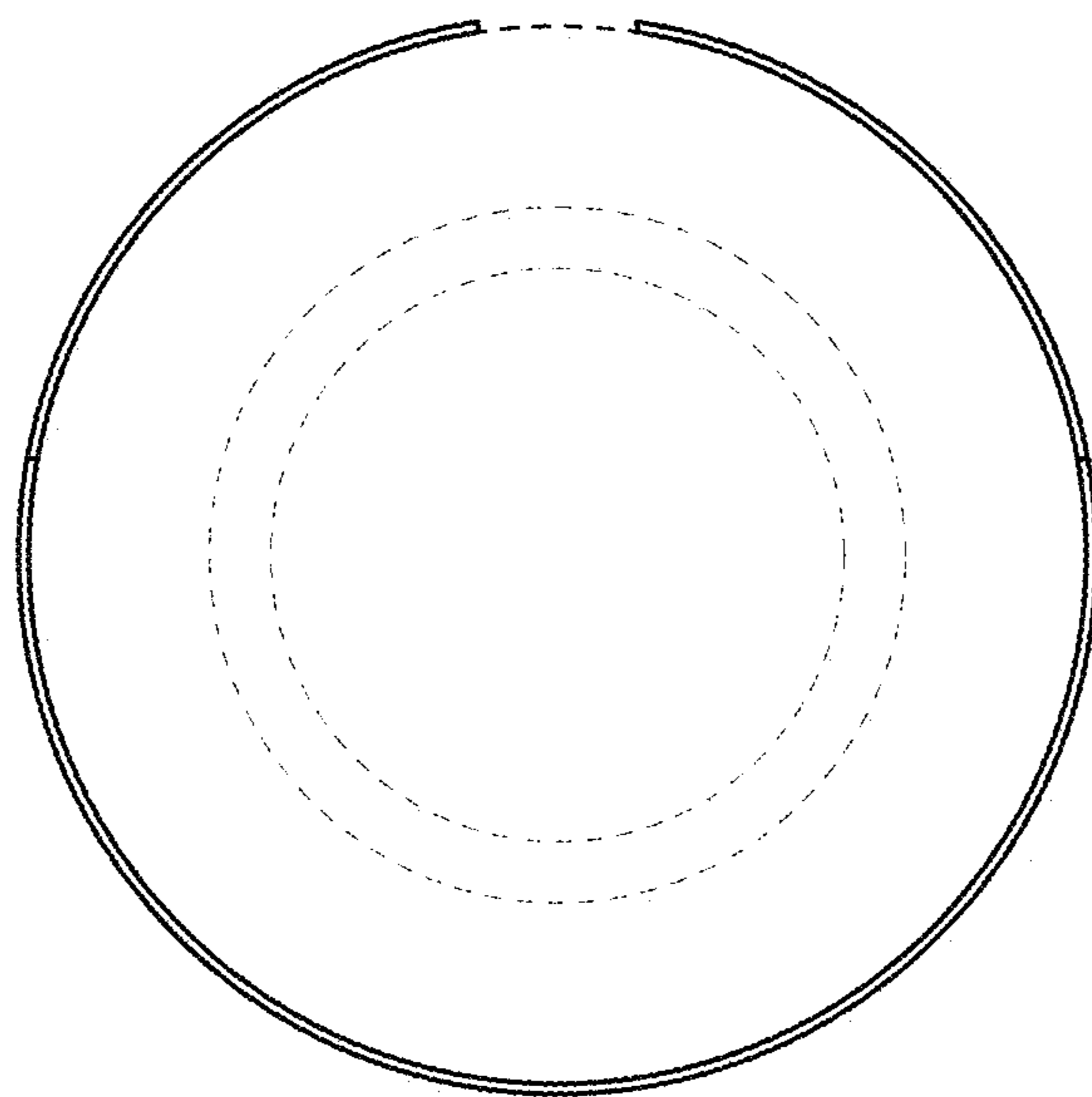


FIG. 63

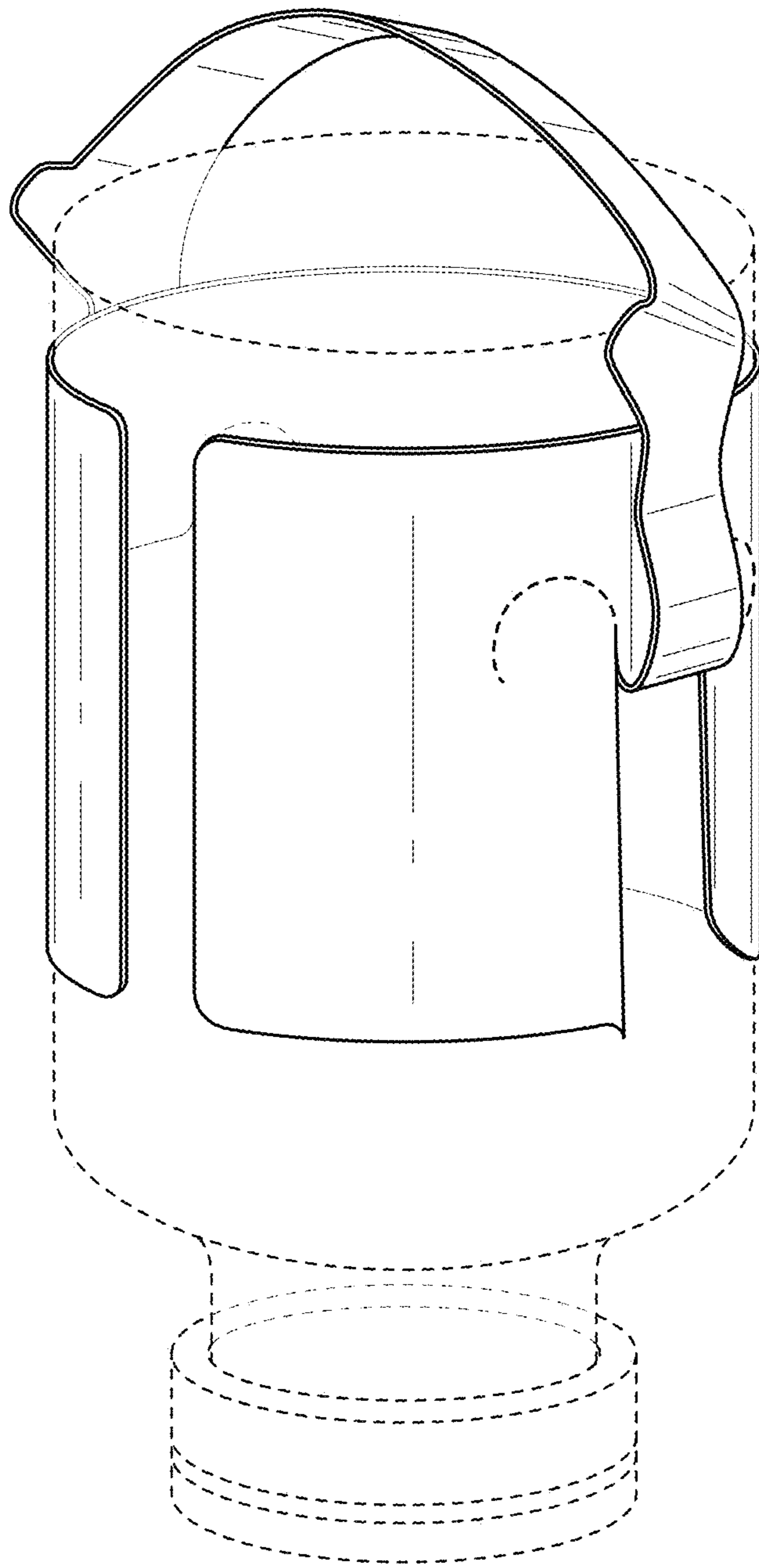


FIG. 64

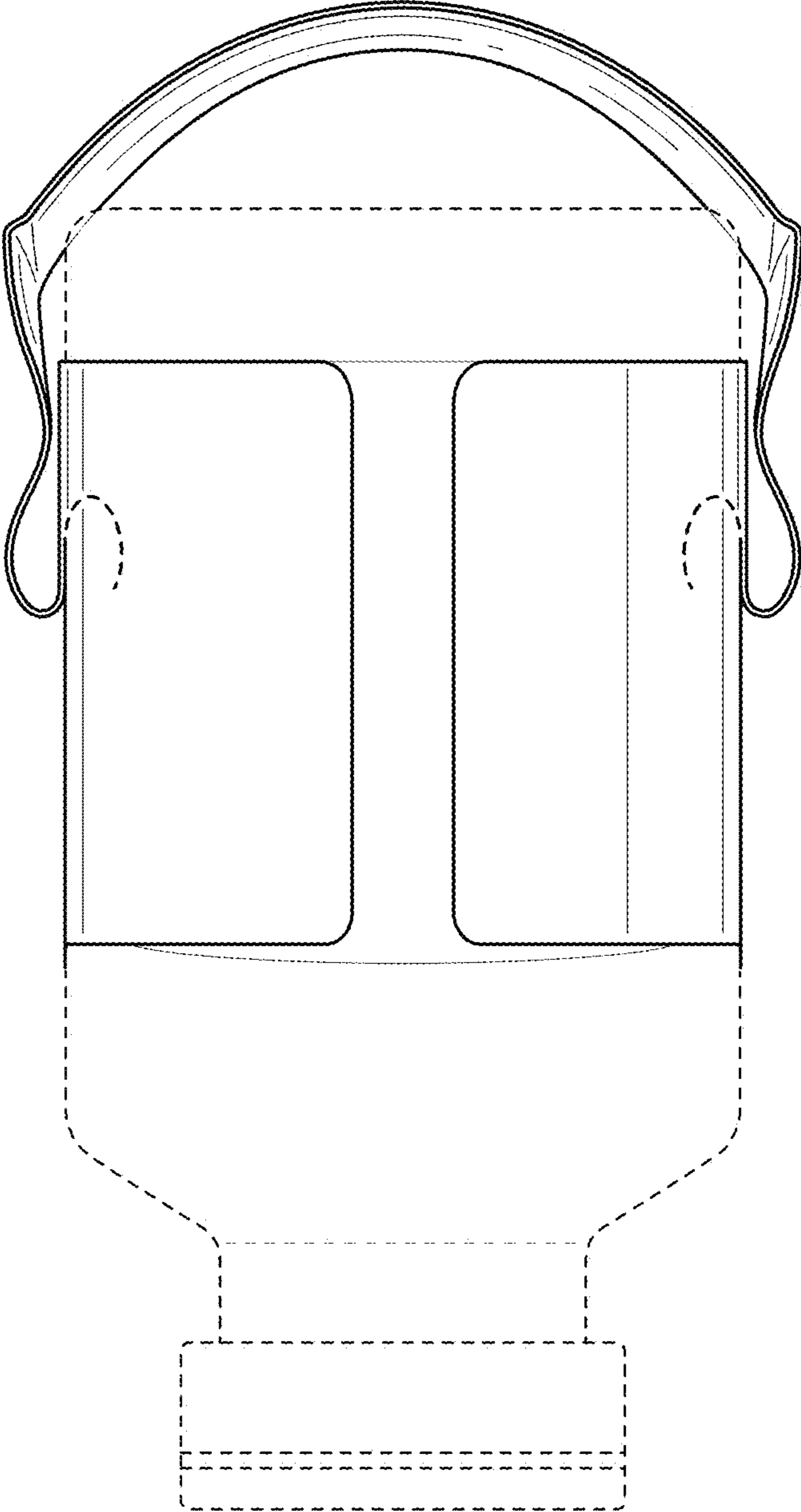


FIG. 65

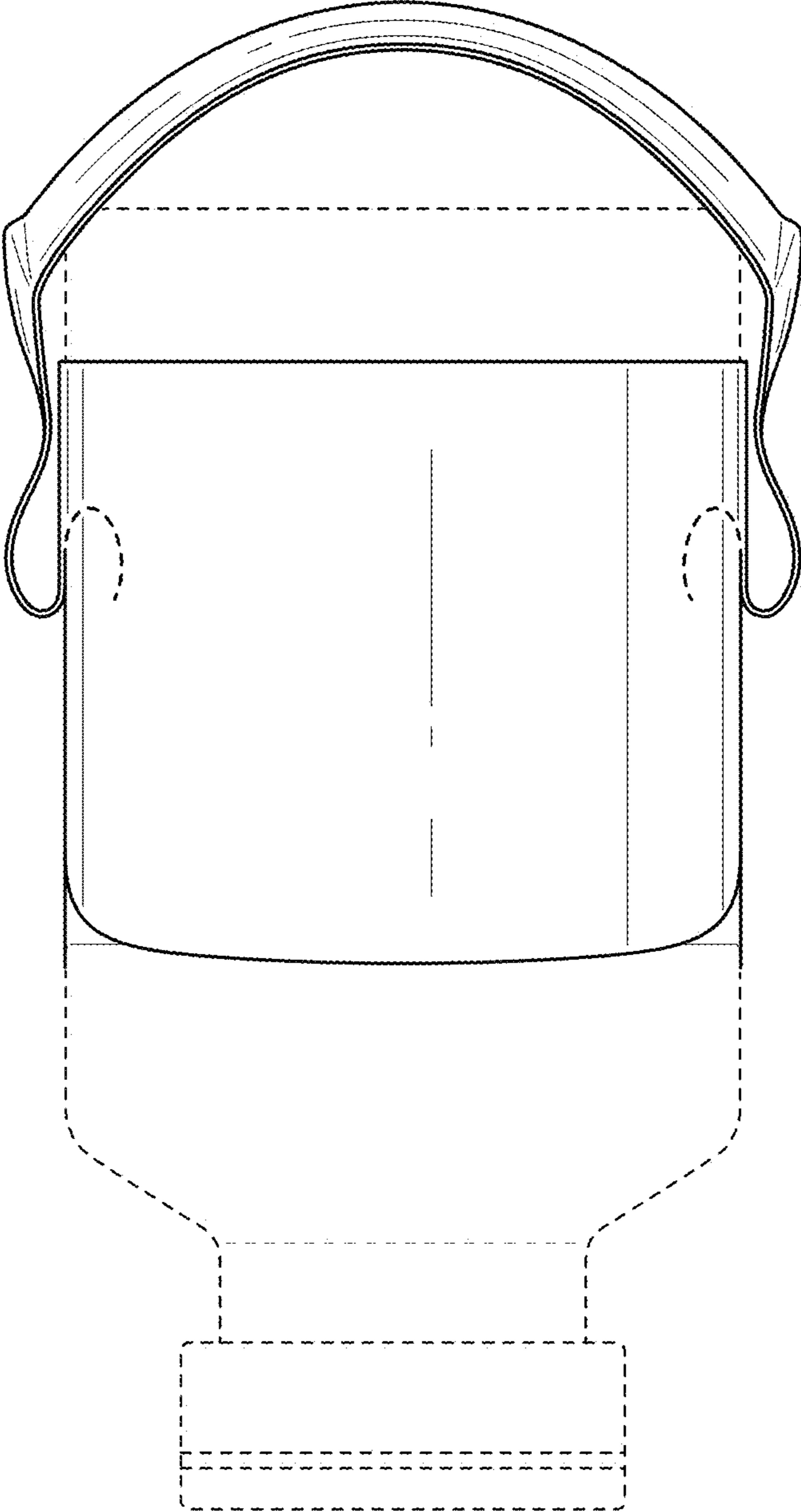


FIG. 66

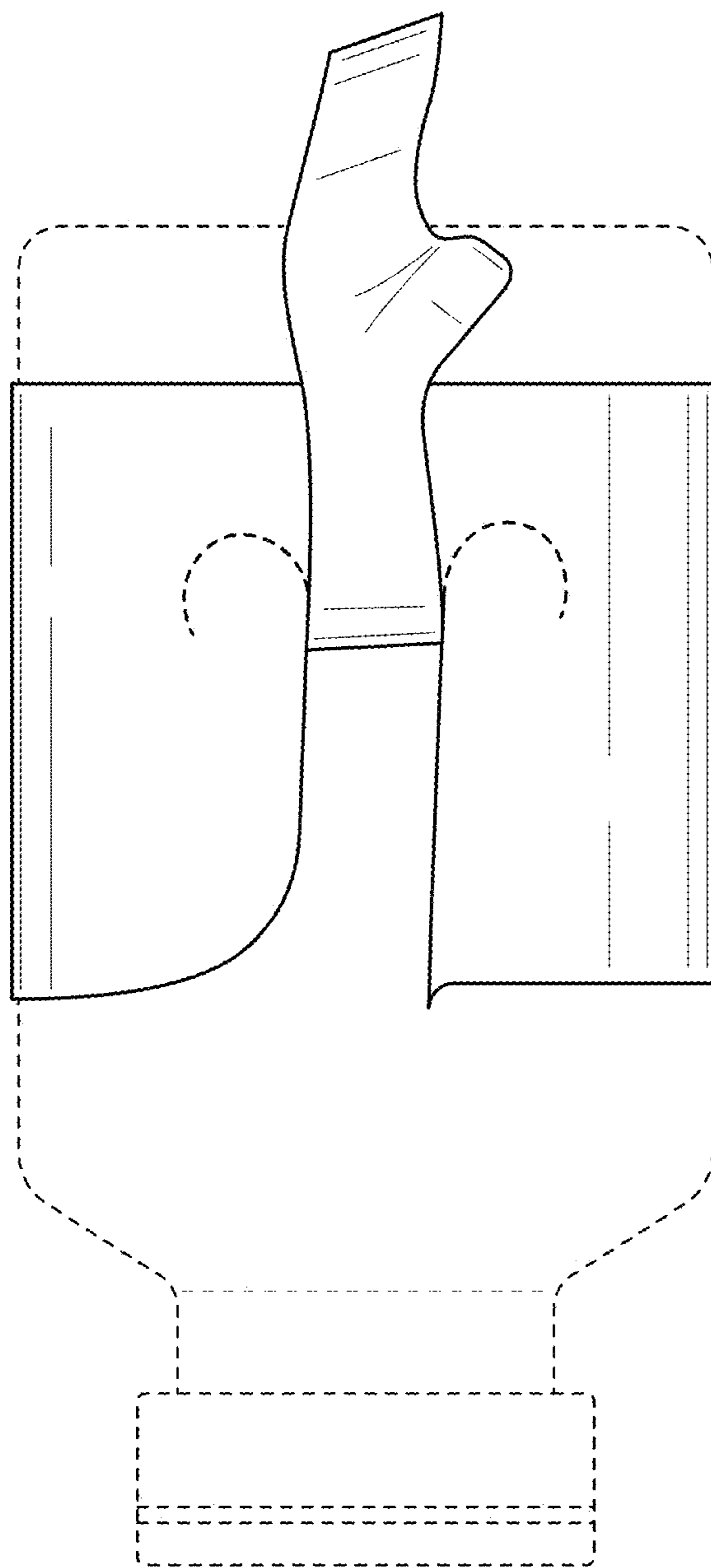


FIG. 67

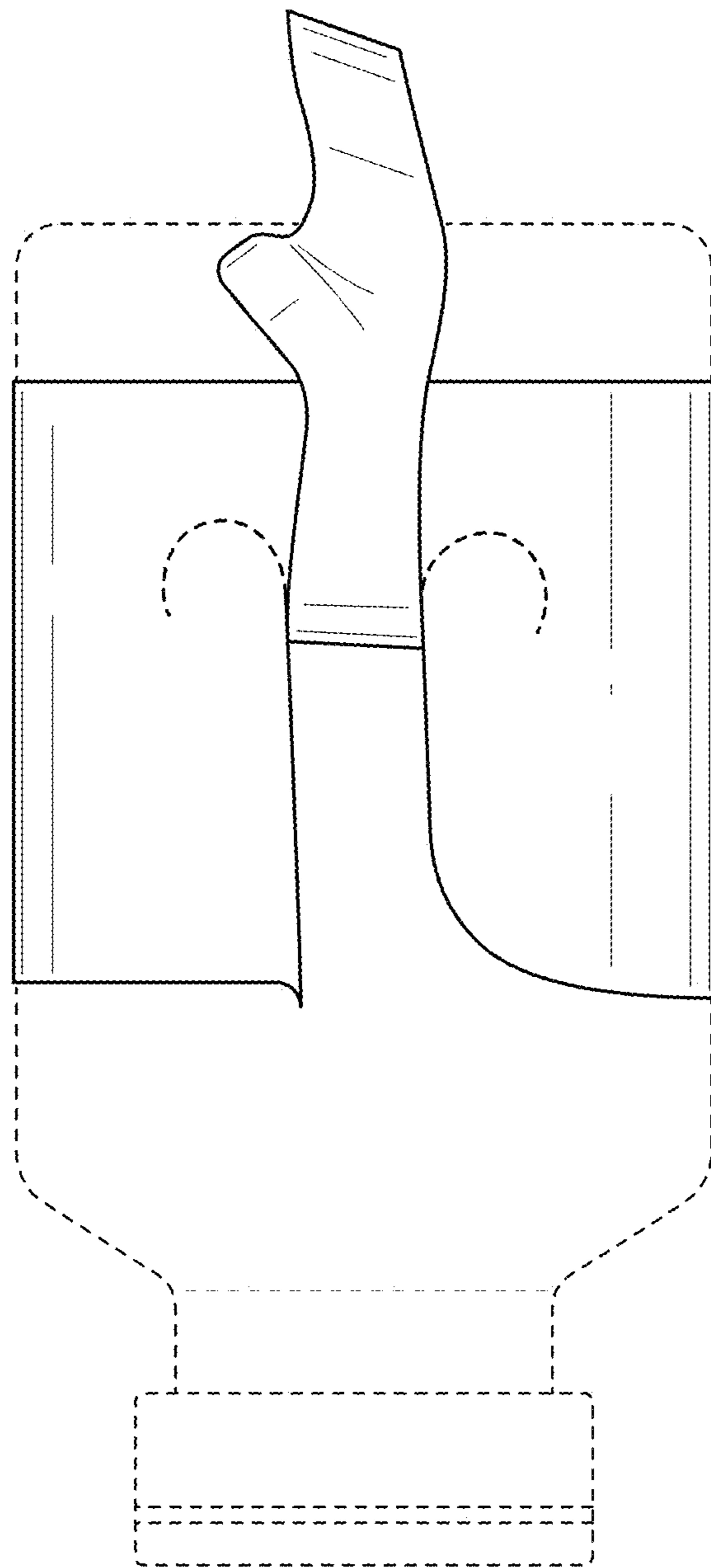


FIG. 68

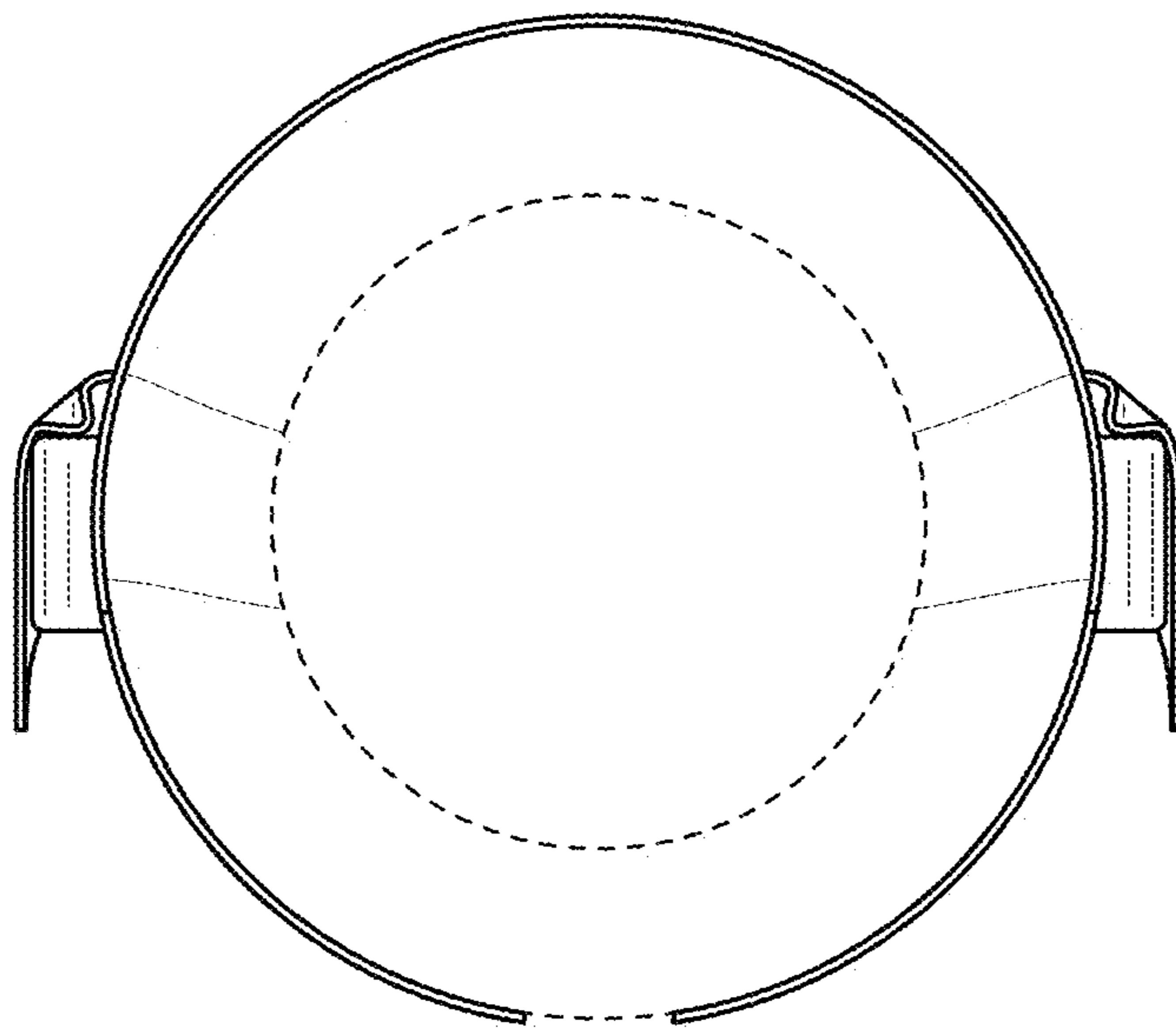


FIG. 69

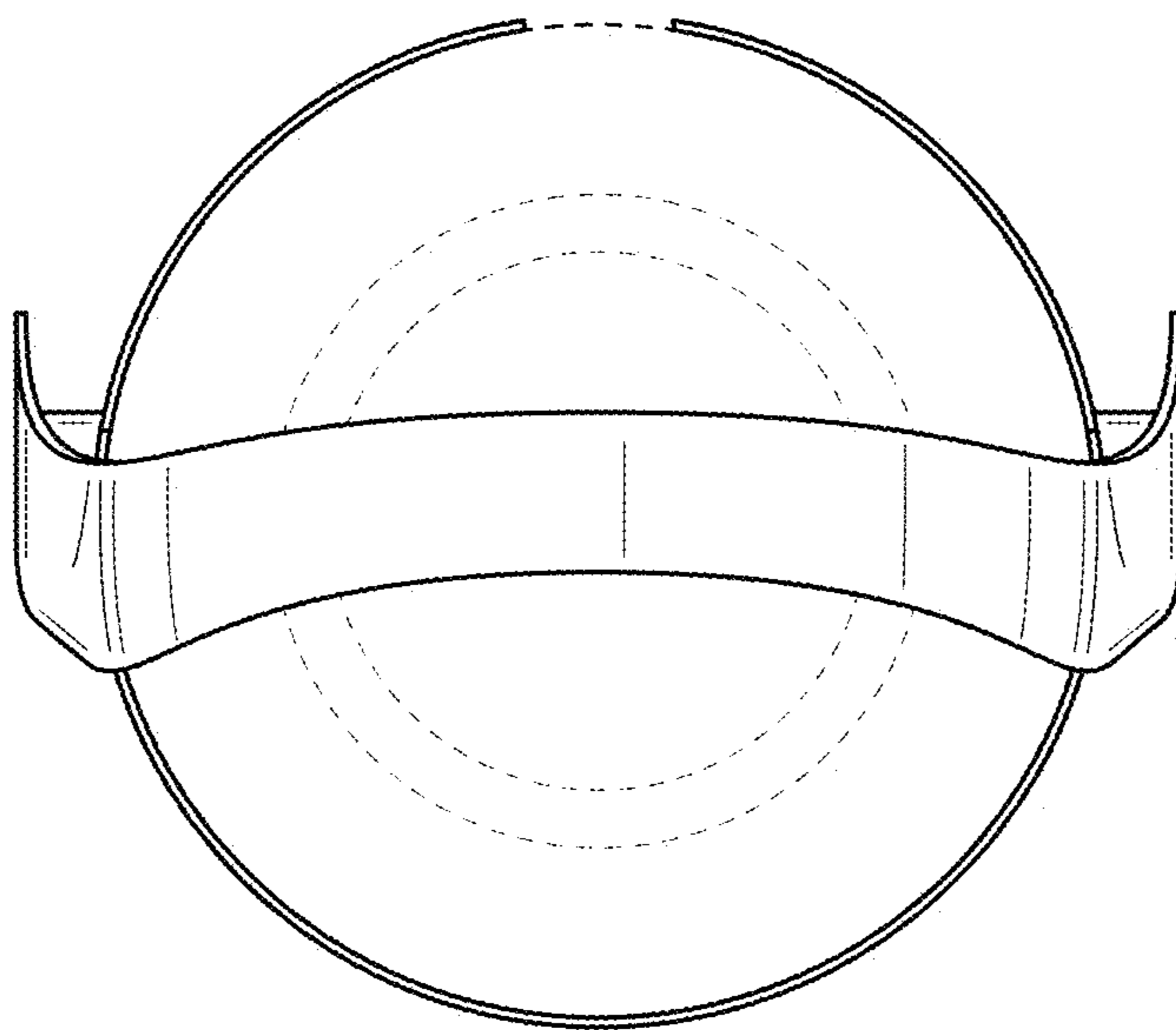


FIG. 70