



US00D931369S

(12) **United States Design Patent** (10) **Patent No.:** **US D931,369 S**
Graham et al. (45) **Date of Patent:** **** Sep. 21, 2021**

(54) **SIGNAGE SYSTEM**
(71) Applicant: **INTERNATIONAL PAPER COMPANY**, Memphis, TN (US)
(72) Inventors: **Danielle Helms Graham**, Fort Mill, SC (US); **James Bradley Griffin**, Rock Hill, SC (US)
(73) Assignee: **INTERNATIONAL PAPER COMPANY**, Memphis, TN (US)

2,028,506 A 1/1936 Enoch
2,830,395 A * 4/1958 Hutchens G09F 11/02
40/502
D185,082 S * 5/1959 Hutchens D20/21
D199,834 S 12/1964 Smith
3,201,881 A 8/1965 Dechar
3,340,633 A 9/1967 Silberman
3,964,190 A 6/1976 Leo
4,001,959 A 1/1977 Grendahl
4,392,316 A 7/1983 Thomas

(Continued)

Primary Examiner — Christian P. McLean
(74) *Attorney, Agent, or Firm* — Bradley T. Ligibel; Thomas W. Ryan

(**) Term: **15 Years**

(21) Appl. No.: **29/656,095**

(22) Filed: **Jul. 17, 2018**

(51) **LOC (13) Cl.** **20-02**

(52) **U.S. Cl.**
USPC **D20/10**

(58) **Field of Classification Search**
USPC D8/349–355, 363, 373–377, 394, 396;
D10/109, 109.1, 109.2, 113.4; D11/3, 26;
D20/10–13, 15, 17, 19, 20, 21, 41, 42,
D20/99; D21/362, 374, 477; D26/73,
D26/85, 88; 40/368, 446, 452, 453, 488,
40/538, 541, 542, 545–548, 563, 564,
40/568, 570–574, 582, 584, 594, 596,
40/600, 605, 615, 617, 618, 624;
362/217, 551, 559, 562, 565, 806, 811,
362/812
CPC G09F 15/00; G09F 15/0012; G09F
2007/122; G09F 2007/1843; G09F
2007/186; G09F 7/16; G09F 7/18; G09F
13/00; G09F 13/04; G09F 13/06; G09F
13/18; G09F 13/22; G09F 13/24; G09F
13/26; G09F 2013/1895
See application file for complete search history.

(57) **CLAIM**

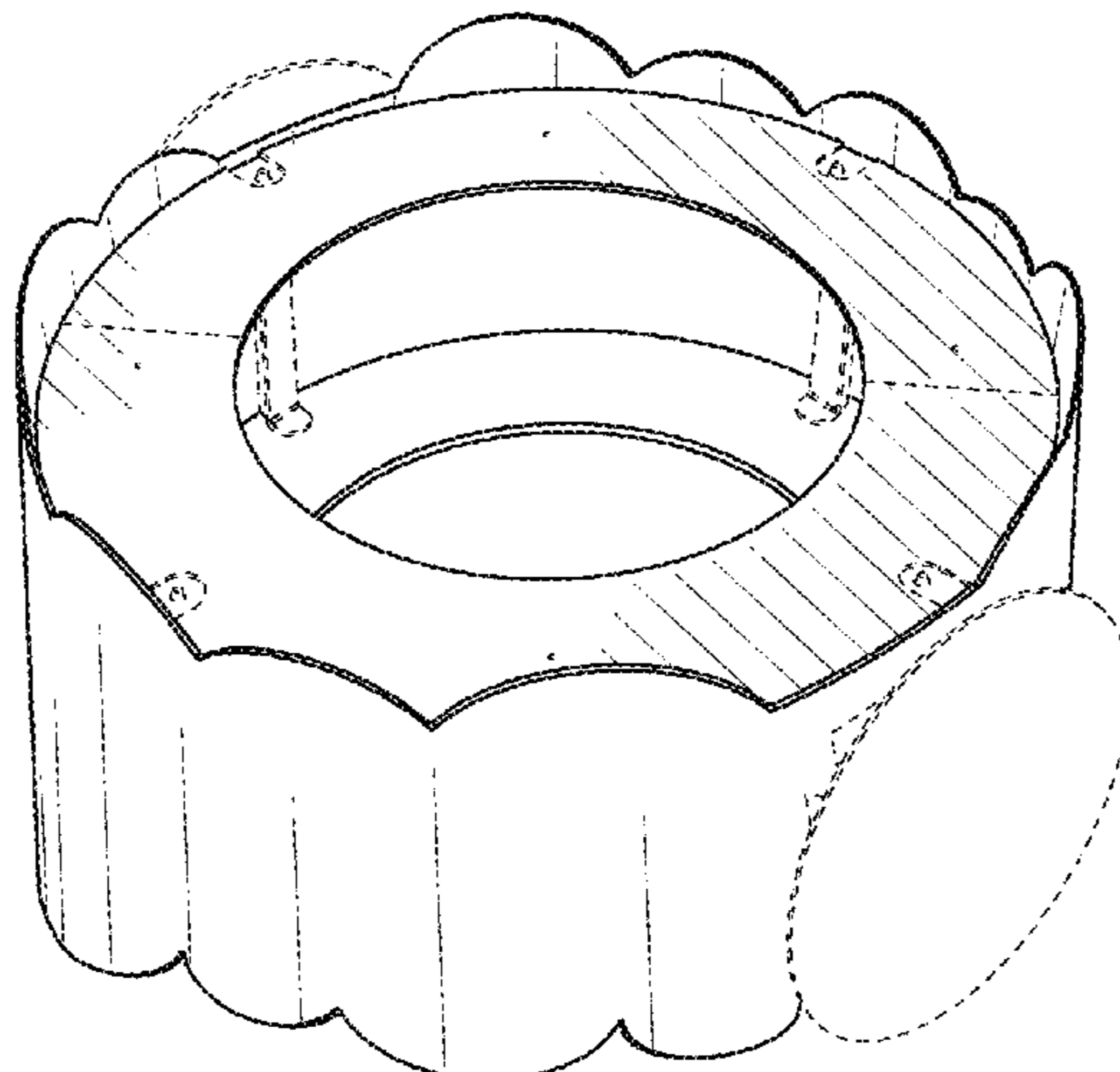
The ornamental design for a signage system, as shown and described.

DESCRIPTION

FIG. 1 is a front perspective view of a signage system according to the invention;
FIG. 2 is a rear perspective view of a signage system according to the invention;
FIG. 3 is a front elevational view of a signage system according to the invention;
FIG. 4 is a rear elevational view of a signage system according to the invention;
FIG. 5 is a left elevational view of a signage system according to the invention;
FIG. 6 is a right elevational view of a signage system according to the invention;
FIG. 7 is a top plan view of a signage system according to the invention; and,
FIG. 8 is a bottom plan view of a signage system according to the invention.
The broken lines illustrate portions of the signage system that form no part of the claimed design.

(56) **References Cited**
U.S. PATENT DOCUMENTS
265,836 A 10/1882 Lindner et al.
1,513,521 A 10/1924 Robertson

1 Claim, 4 Drawing Sheets



(56)

References Cited

U.S. PATENT DOCUMENTS

D336,622	S	6/1993	Kinnicutt	
5,372,269	A	12/1994	Sutton et al.	
5,649,379	A	7/1997	Hoffman et al.	
D417,703	S *	12/1999	Saito	D20/37
6,477,800	B1	11/2002	Payne	
6,671,988	B2	1/2004	Cyrluk	
D582,985	S *	12/2008	Tanaka	D20/10
7,610,704	B1 *	11/2009	Nowicki	G09F 19/02 40/429
D614,704	S *	4/2010	Ulrich	D20/42
9,413,062	B2 *	8/2016	Ortiz	H01Q 1/1214
D802,671	S *	11/2017	Cohrs	D20/29
D808,248	S *	1/2018	Krombein	D8/354
10,235,910	B1 *	3/2019	Graham	G09F 15/0012
D859,335	S *	9/2019	D'Ambrosio	D14/125
D878,663	S *	3/2020	Kwon	D26/88
D891,520	S *	7/2020	Urban	D21/385
D899,667	S *	10/2020	Ami	D26/88
2006/0054763	A1 *	3/2006	Fryberger, Jr.	F16L 57/04 248/314
2006/0165529	A1	7/2006	Sobel	
2006/0242866	A1	11/2006	Rutkowski	
2007/0033847	A1 *	2/2007	Tanaka	G06F 1/163 40/661.05
2012/0137550	A1 *	6/2012	Stafford	G09F 7/18 40/541
2013/0306516	A1	11/2013	Dougherty et al.	
2018/0268744	A1 *	9/2018	Bloome	G09F 1/14
2019/0293266	A1 *	9/2019	Anderson	G09F 13/0413

* cited by examiner

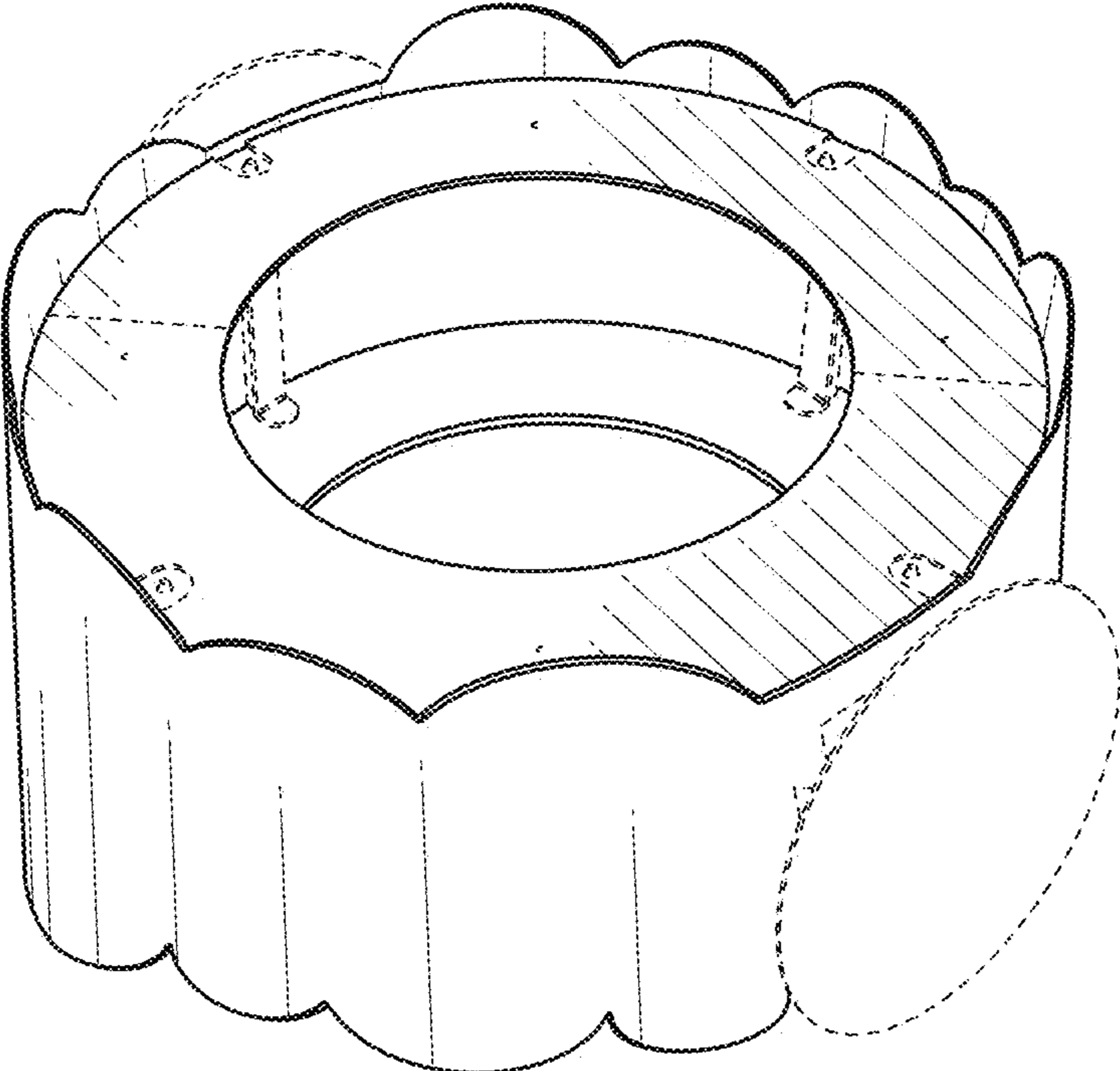


FIG. 1

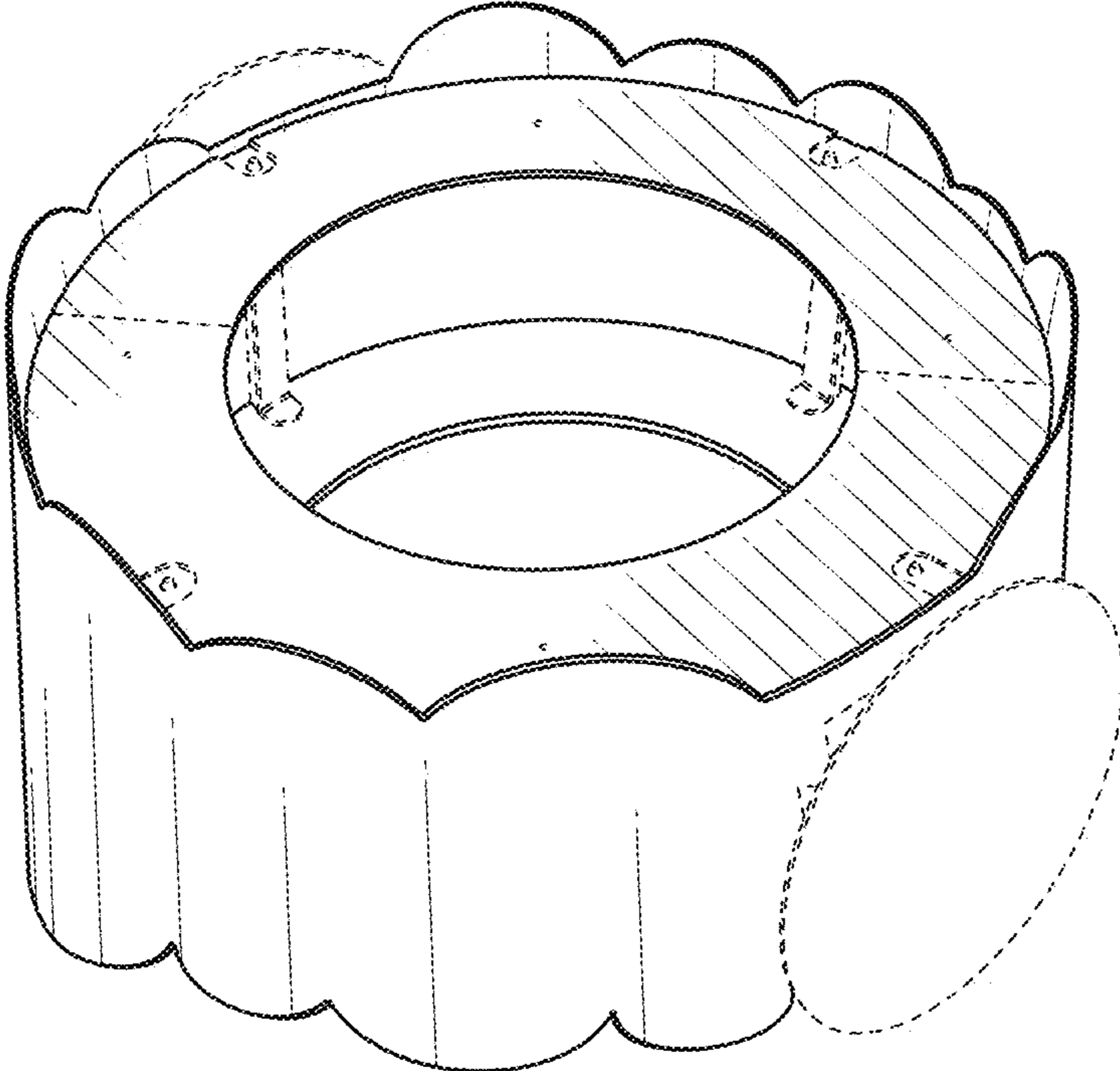


FIG. 2

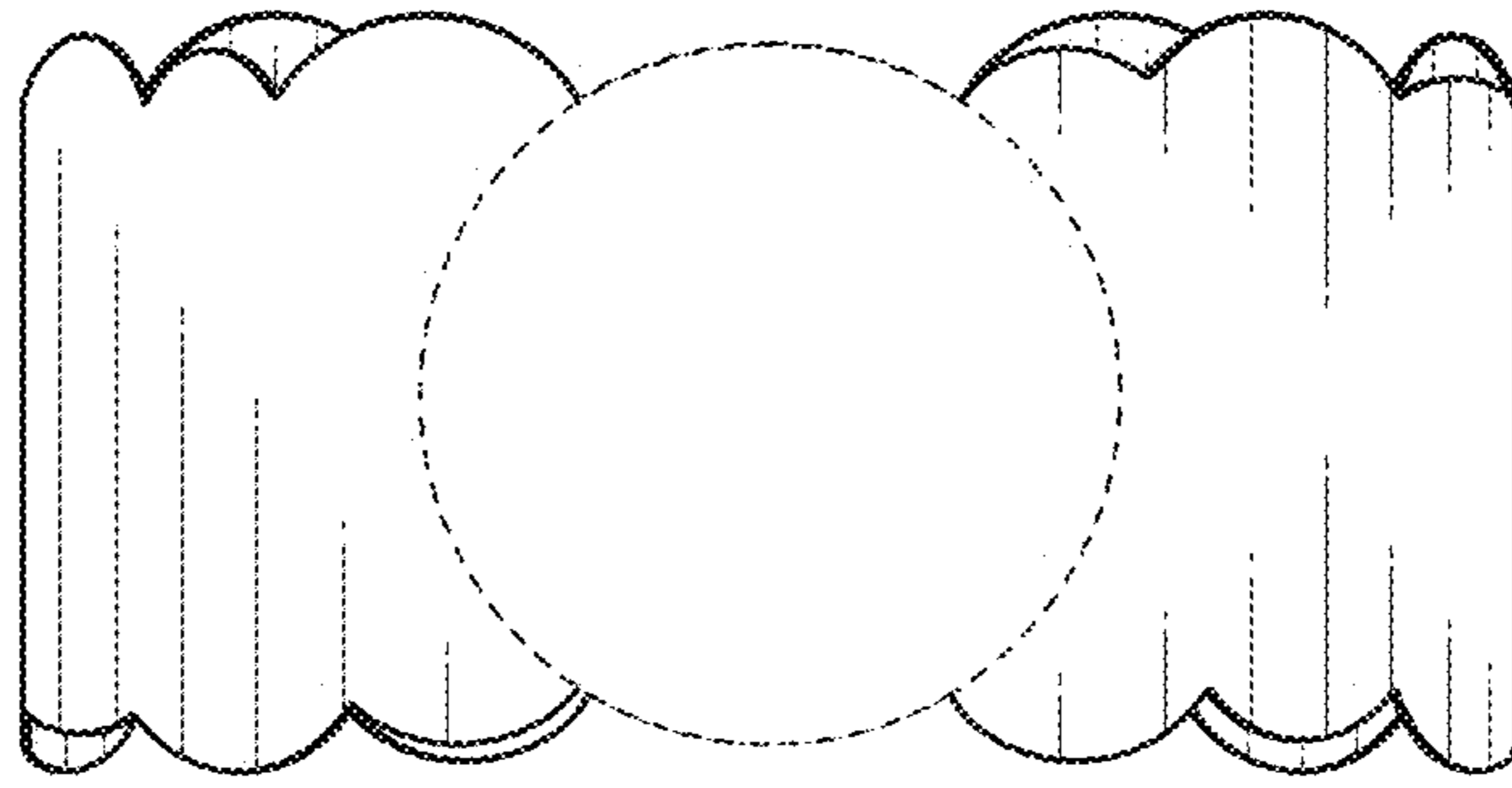


FIG. 3

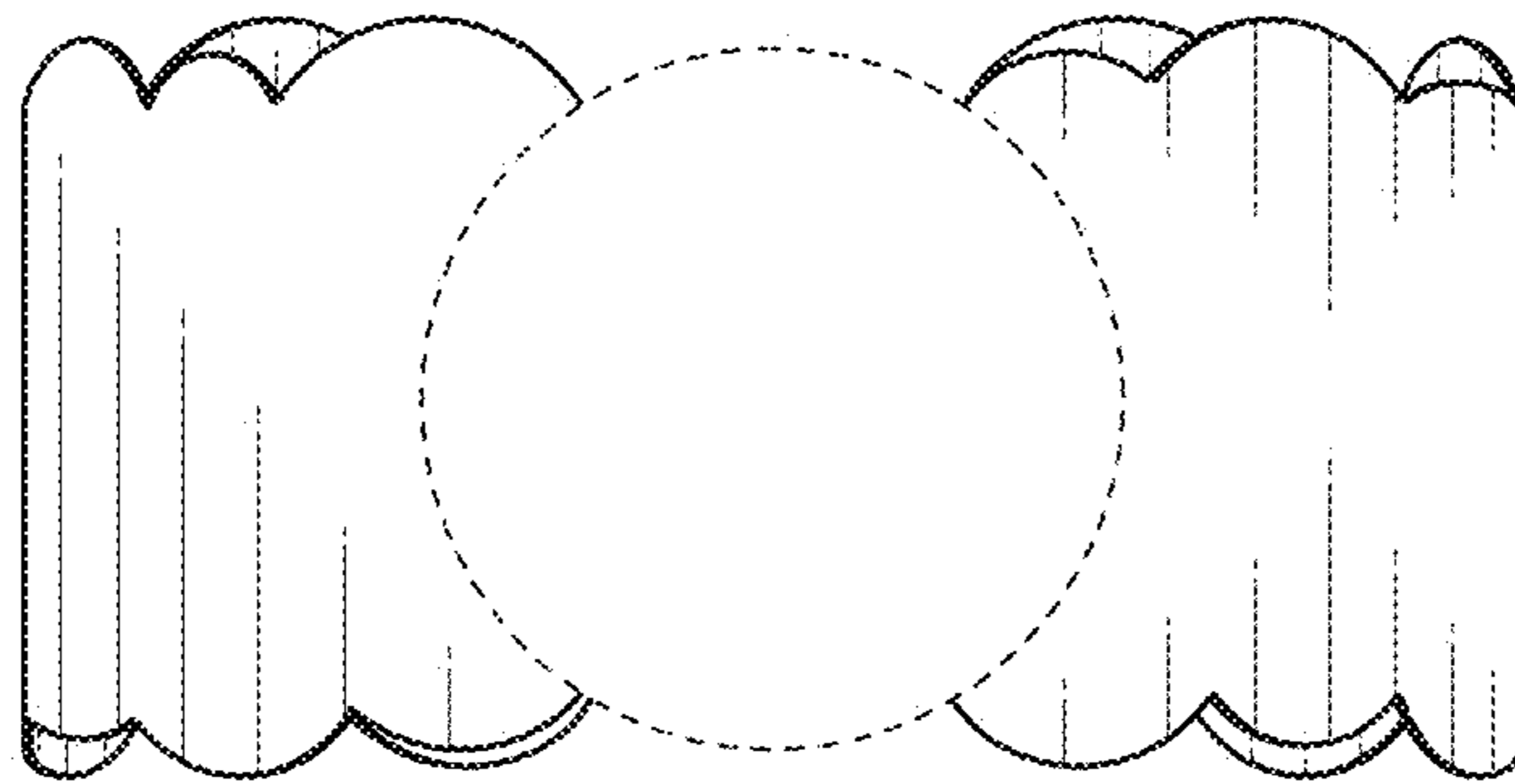


FIG. 4

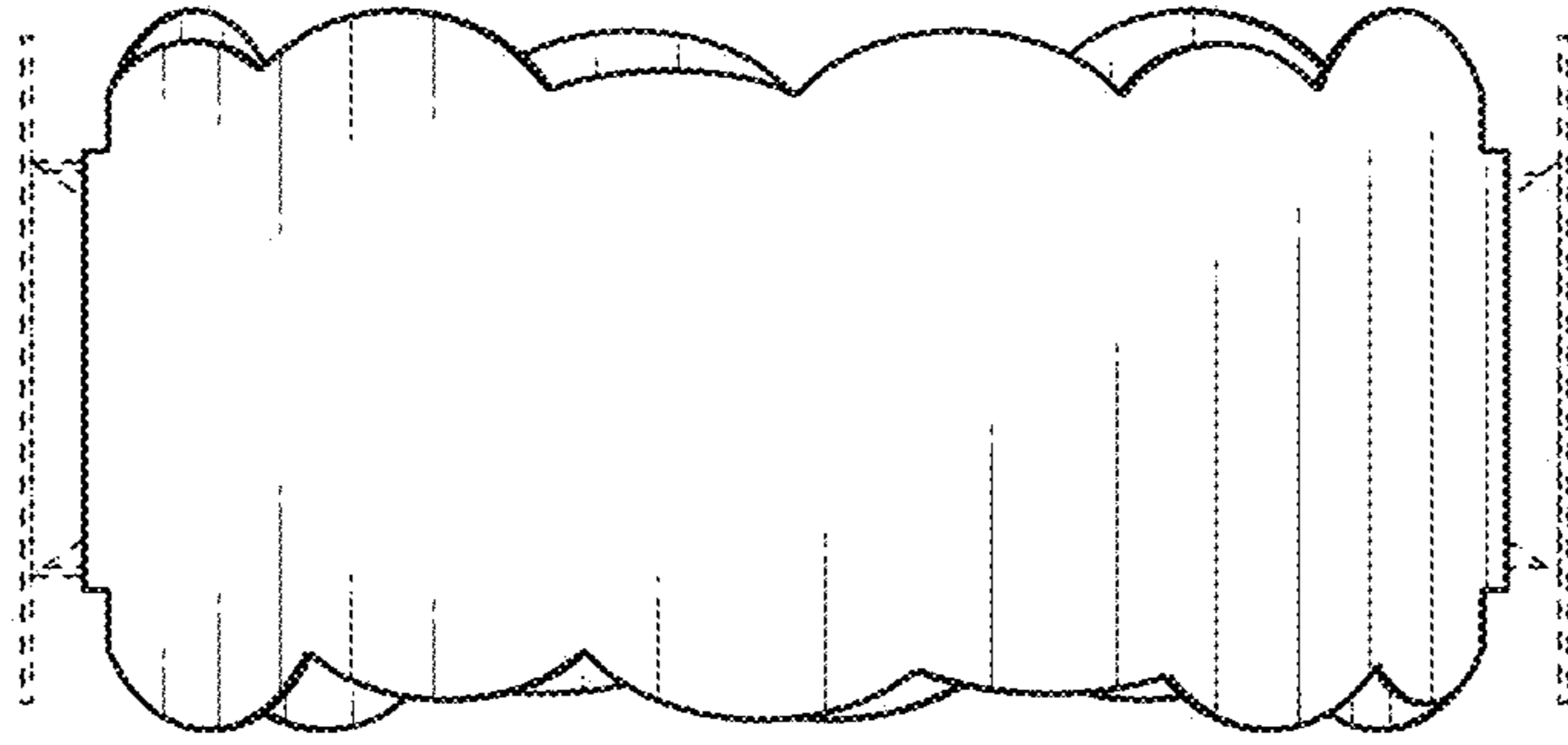


FIG. 5

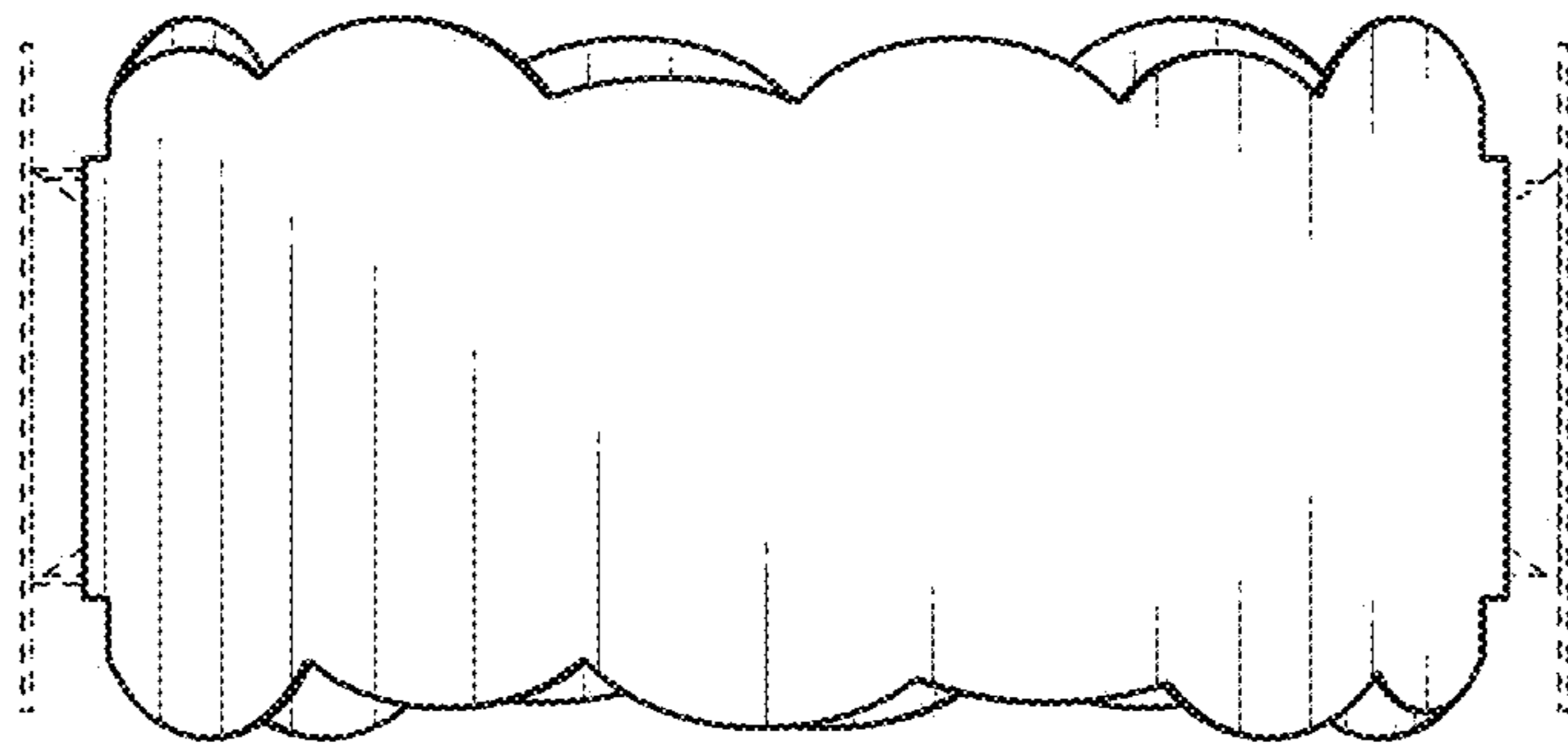


FIG. 6

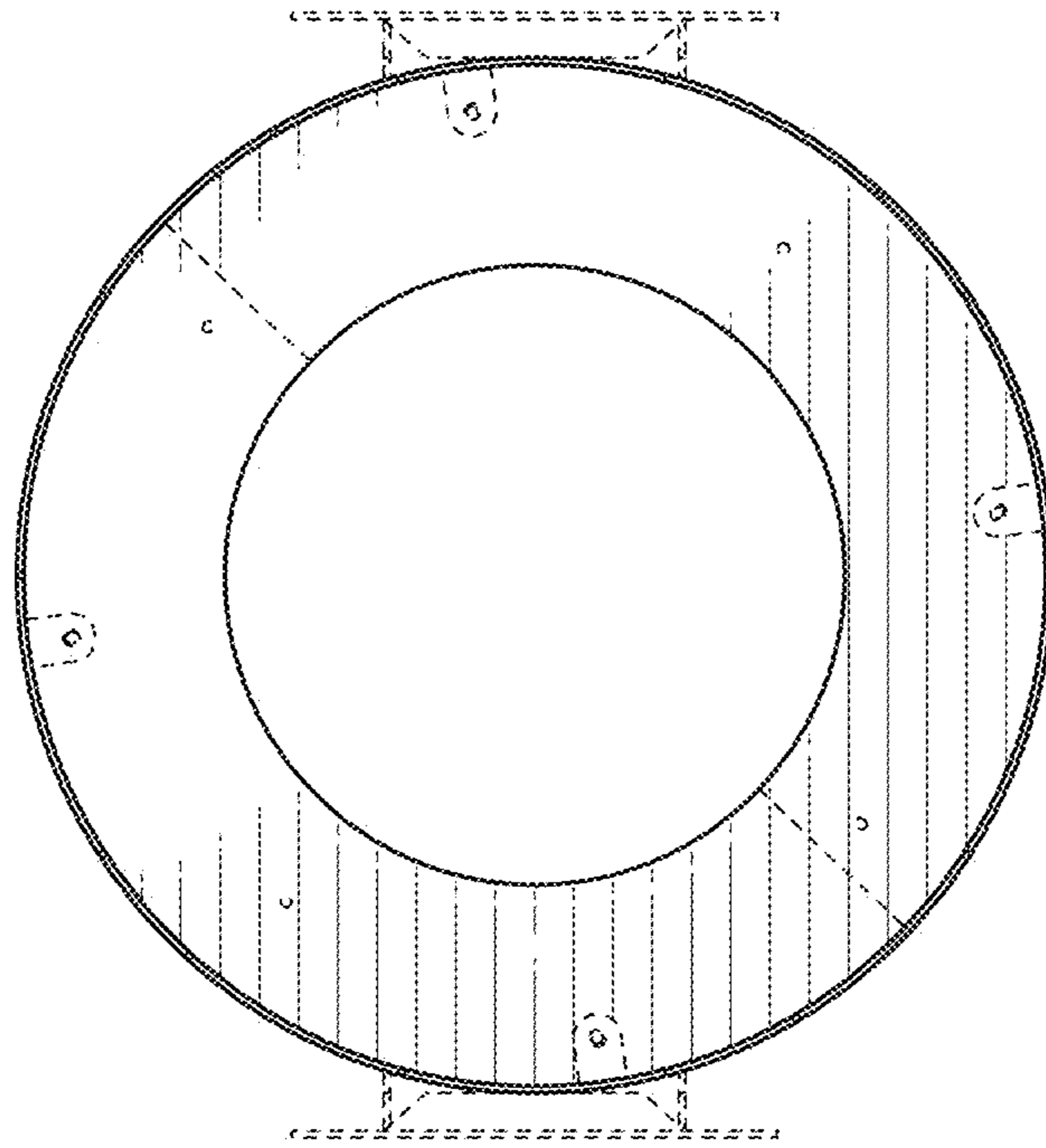


FIG. 7

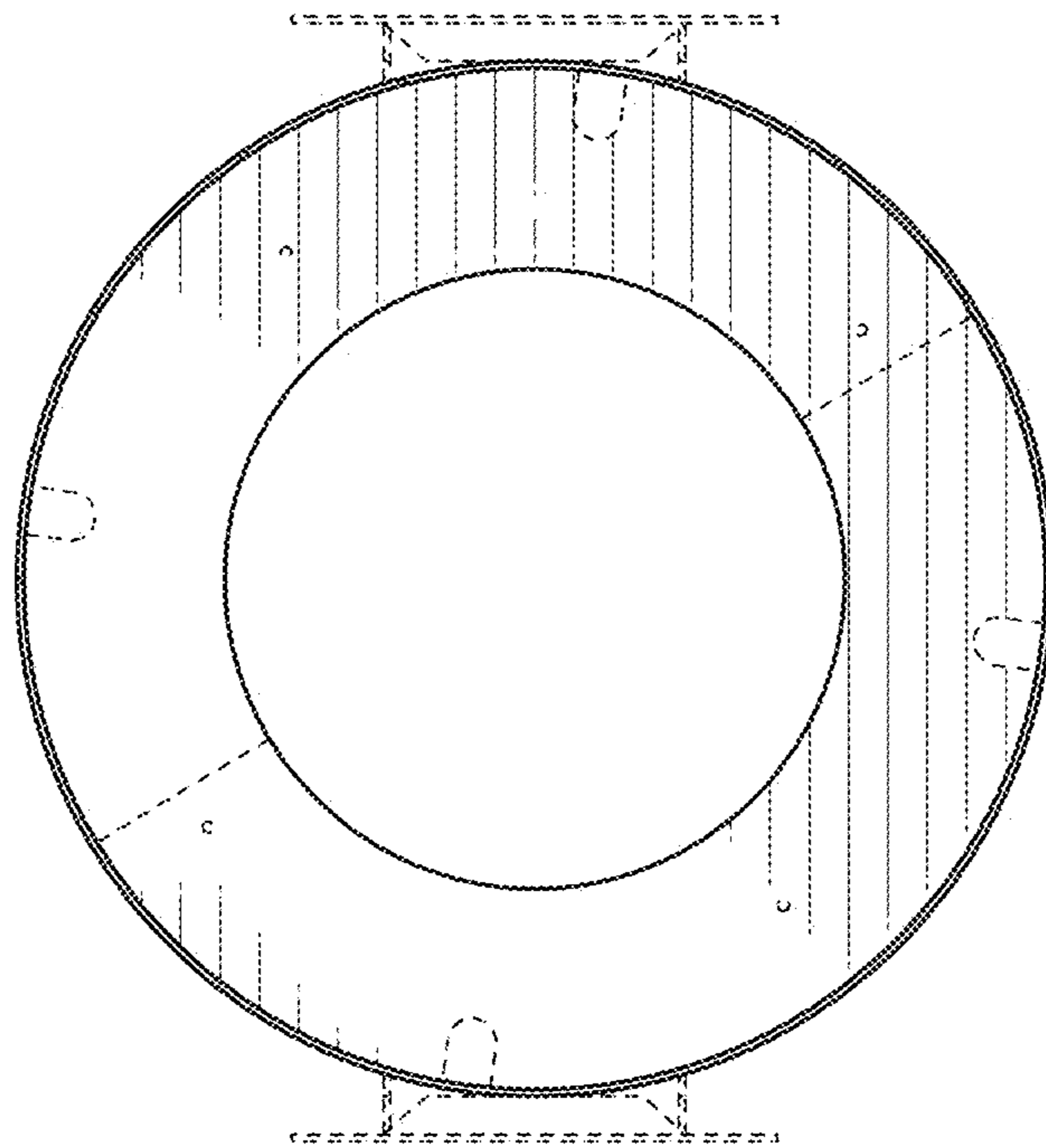


FIG. 8