



US00D931367S

(12) **United States Design Patent** (10) **Patent No.:** **US D931,367 S**
Sinha (45) **Date of Patent:** **** Sep. 21, 2021**

(54) **TRANSACTION CARD**

(71) Applicant: **VISA INTERNATIONAL SERVICE ASSOCIATION**, San Francisco, CA (US)

(72) Inventor: **Sakshi Sinha**, Bangalore (IN)

(73) Assignee: **VISA INTERNATIONAL SERVICE ASSOCIATION**, San Francisco, CA (US)

(**) Term: **15 Years**

(21) Appl. No.: **29/724,041**

(22) Filed: **Feb. 12, 2020**

(51) **LOC (13) Cl.** **19-08**

(52) **U.S. Cl.**
USPC **D19/10**

(58) **Field of Classification Search**
USPC D19/1-10, 20-34; 40/124.01-124.15, 40/661, 776, 726; 283/72, 75-76, 283/105-107, 82, 70, 904, 74; 206/449; D21/385; D20/10-11, 22, 27, 40, 42; 360/2; 235/380, 382
CPC B42D 15/00; B42D 15/022; B42D 15/027; B42D 15/045; B42D 15/047; B42D 25/00; B42D 25/20; B42D 25/23; B42D 25/26; B42D 25/29; B42D 25/30; B42D 25/40; B42D 25/22; B42D 2033/02; B42D 2033/04; B42D 2033/08; B42D 2033/10; B42D 2033/16; B42D 2033/18; B42D 2033/20; B42D 2033/28; B42D 2033/30; G09F 3/00; G09F 3/02; G09F 2003/0201

See application file for complete search history.

(56) **References Cited**

U.S. PATENT DOCUMENTS

D593,152 S * 5/2009 Hammad D14/436
D896,887 S * 9/2020 Herrington D19/9

* cited by examiner

Primary Examiner — Abraham Bahta
(74) *Attorney, Agent, or Firm* — Loeb & Loeb, LLP

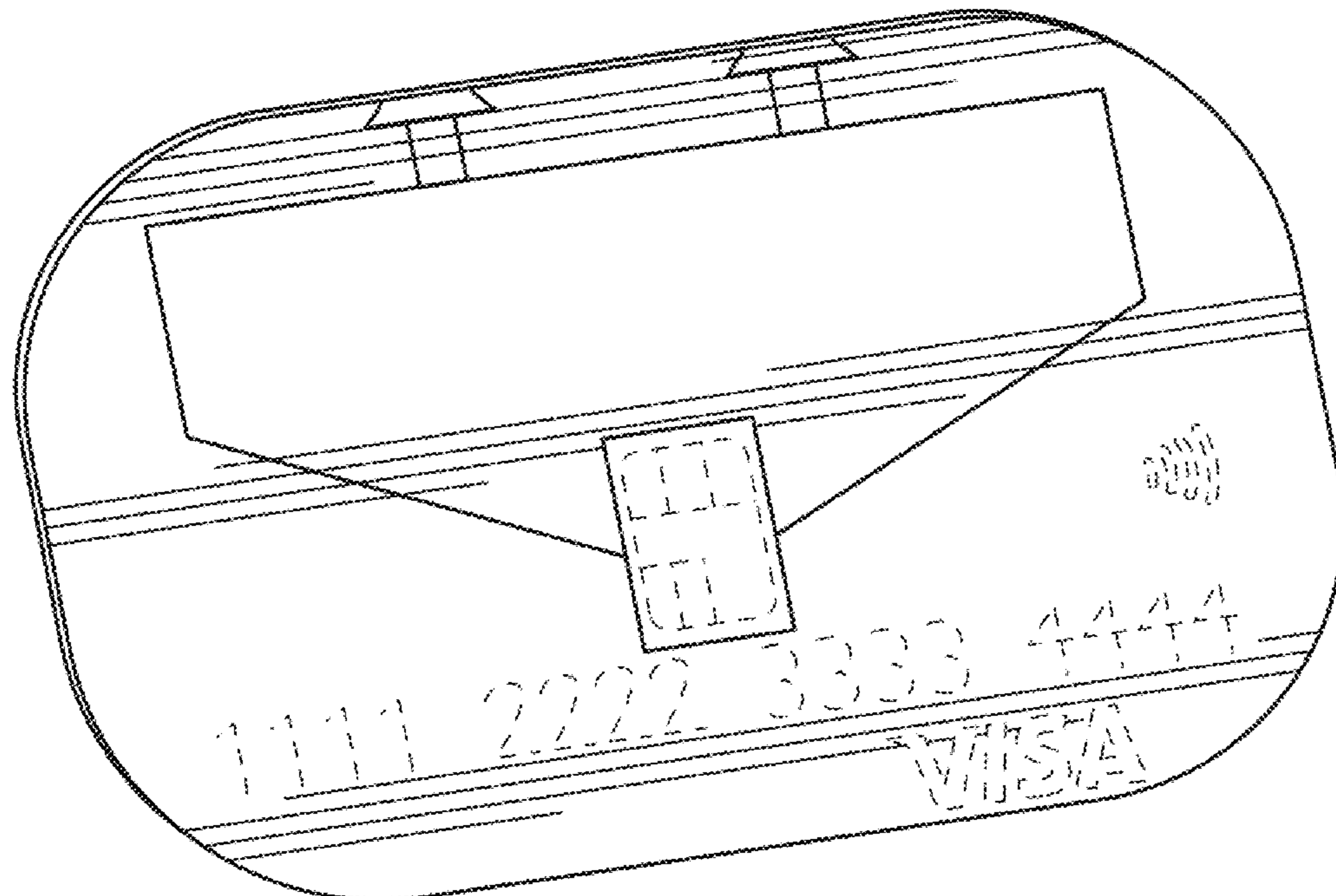
(57) **CLAIM**

The ornamental design for a transaction card, as shown and described.

DESCRIPTION

FIG. 1 is a perspective view of an embodiment of a transaction card showing my new design;
FIG. 2 is a front view thereof;
FIG. 3 is a back view thereof;
FIG. 4 is a right side elevational view thereof;
FIG. 5 is a left side elevational view thereof;
FIG. 6 is a top elevational view thereof; and,
FIG. 7 is a bottom elevational view thereof.
The numbers “1111”, “2222”, “3333”, and “4444” shown in broken lines in the drawings are merely example numeric combinations. Any numbers 0, 1, 2, 3, 4, 5, 6, 7, 8, or 9 may be used in place of any one of the numbers 1, 2, 3, or 4 shown in the drawings.
The broken lines depict portions of the transaction card that form no part of the claimed design.

1 Claim, 3 Drawing Sheets



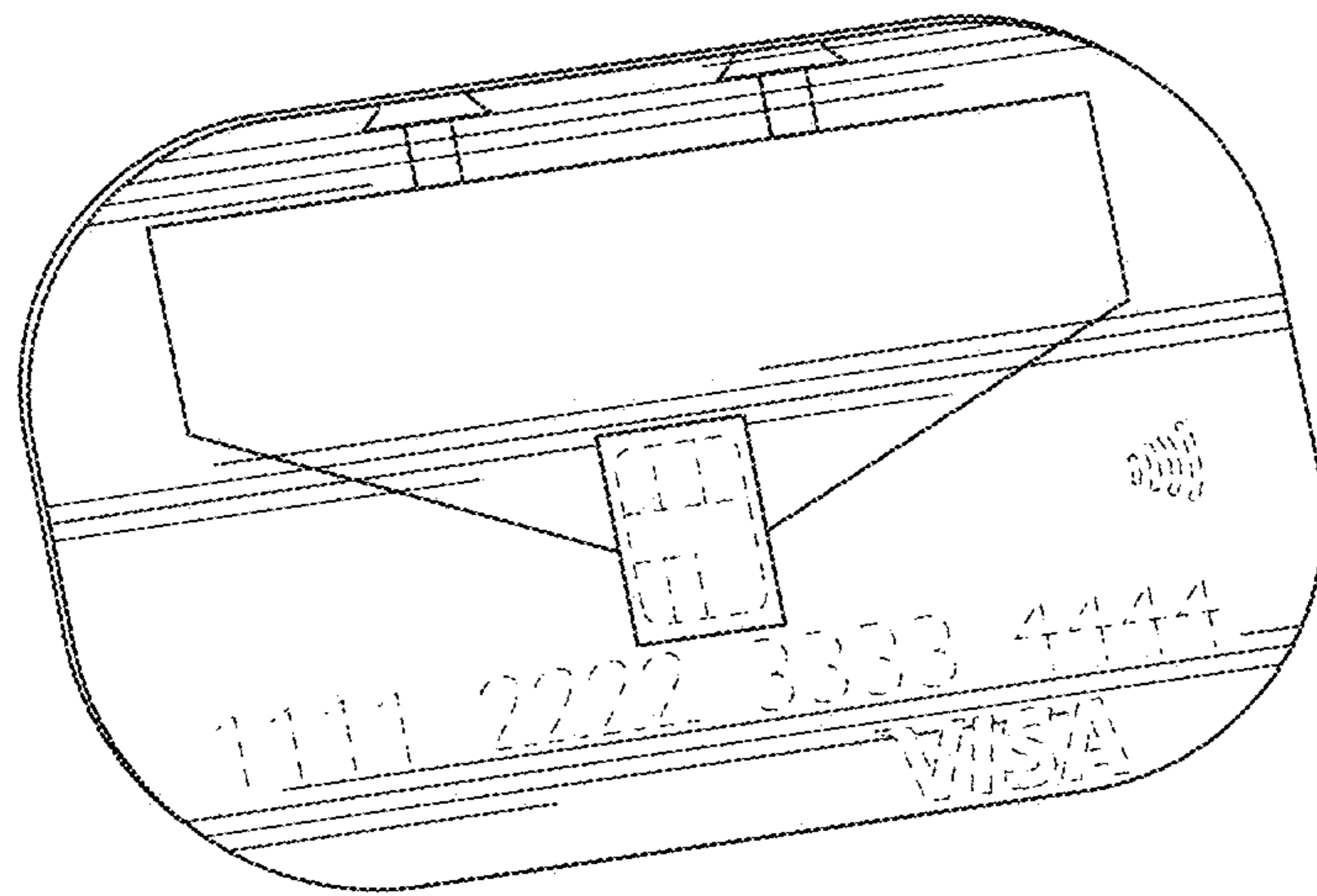


FIG. 1

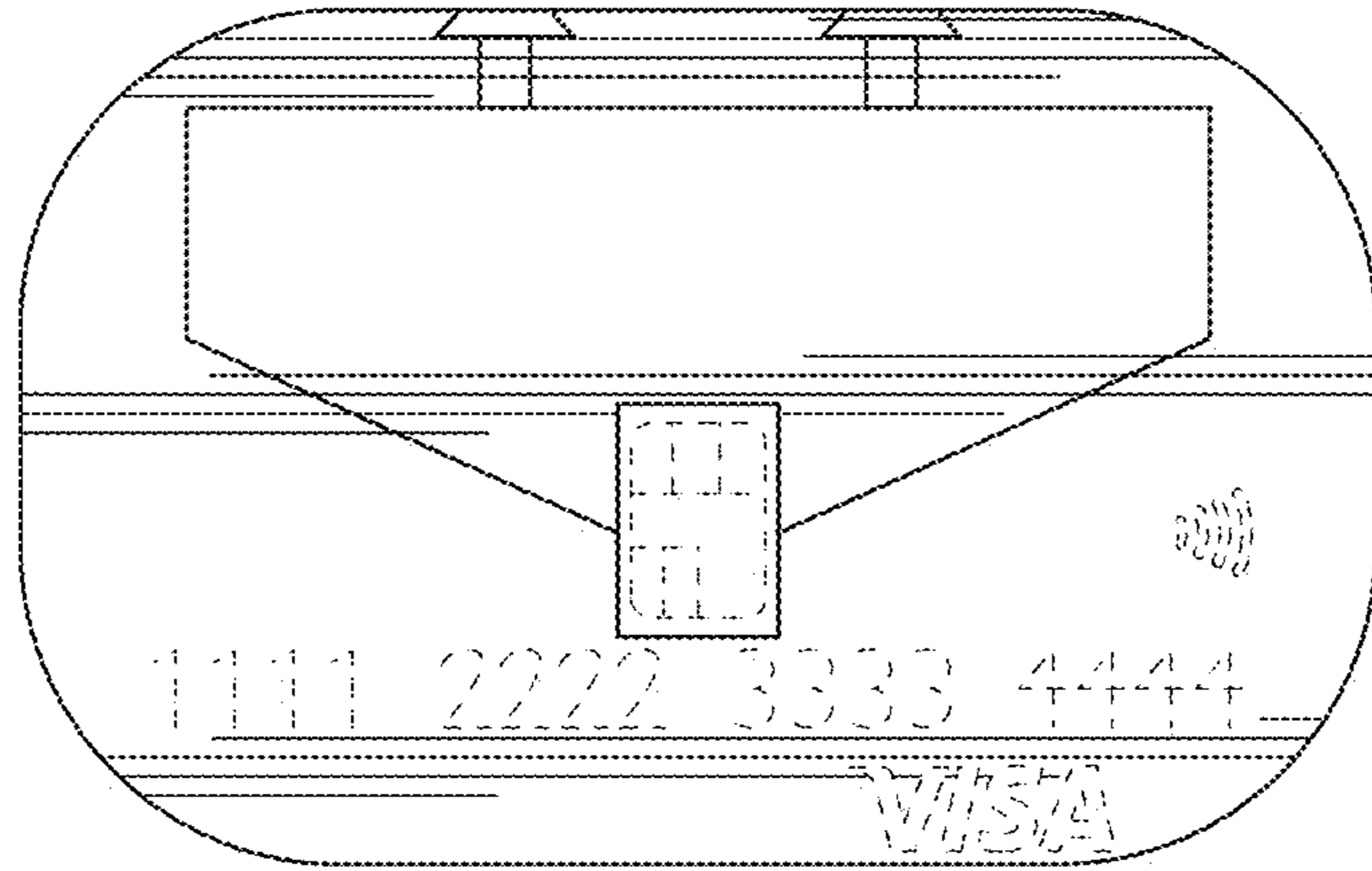


FIG. 2

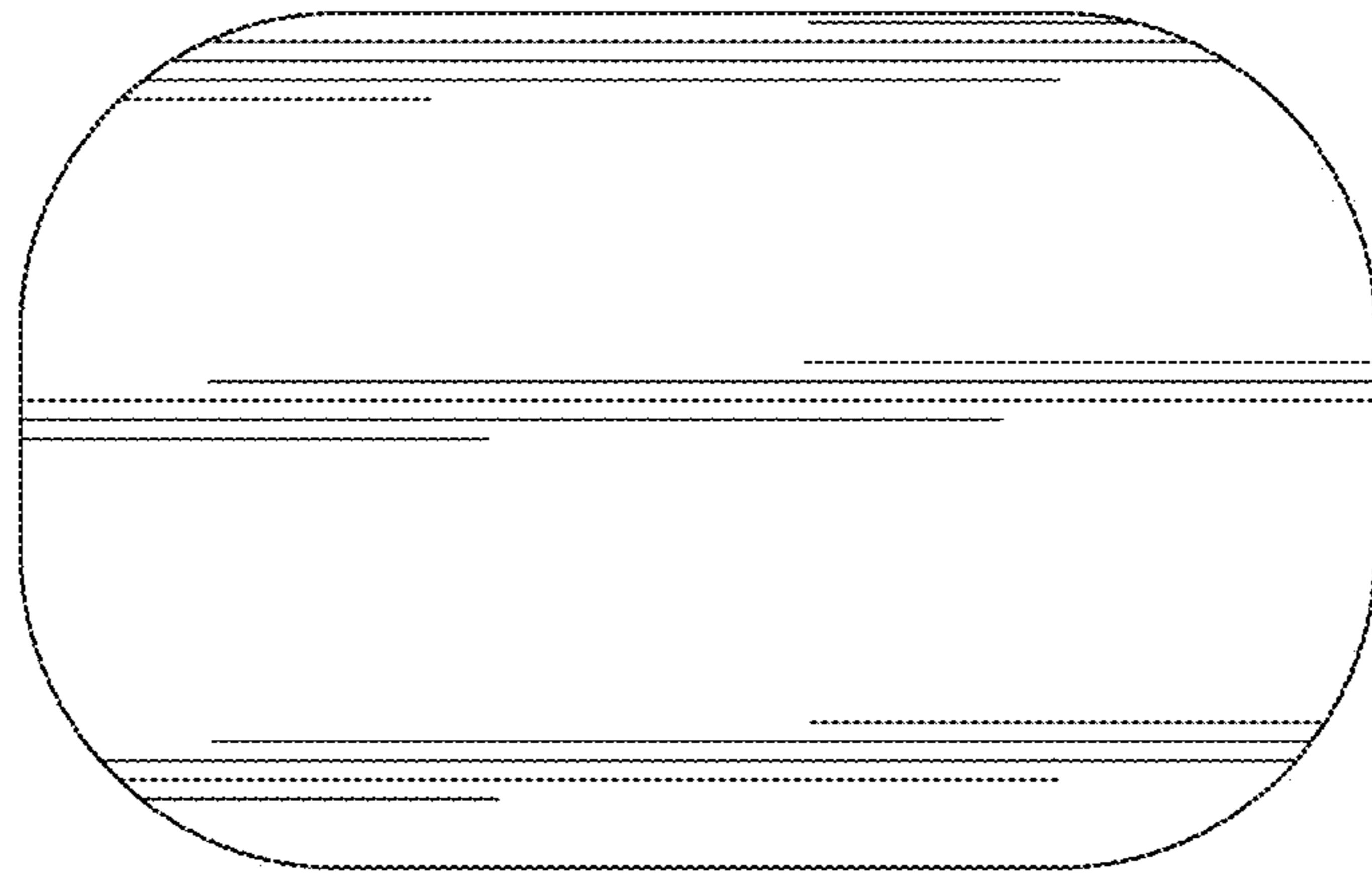


FIG. 3



FIG. 4



FIG. 5

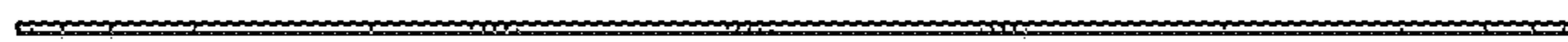


FIG. 6



FIG. 7