



US00D931366S

(12) **United States Design Patent**
Chechik et al.

(10) **Patent No.:** **US D931,366 S**

(45) **Date of Patent:** **** Sep. 21, 2021**

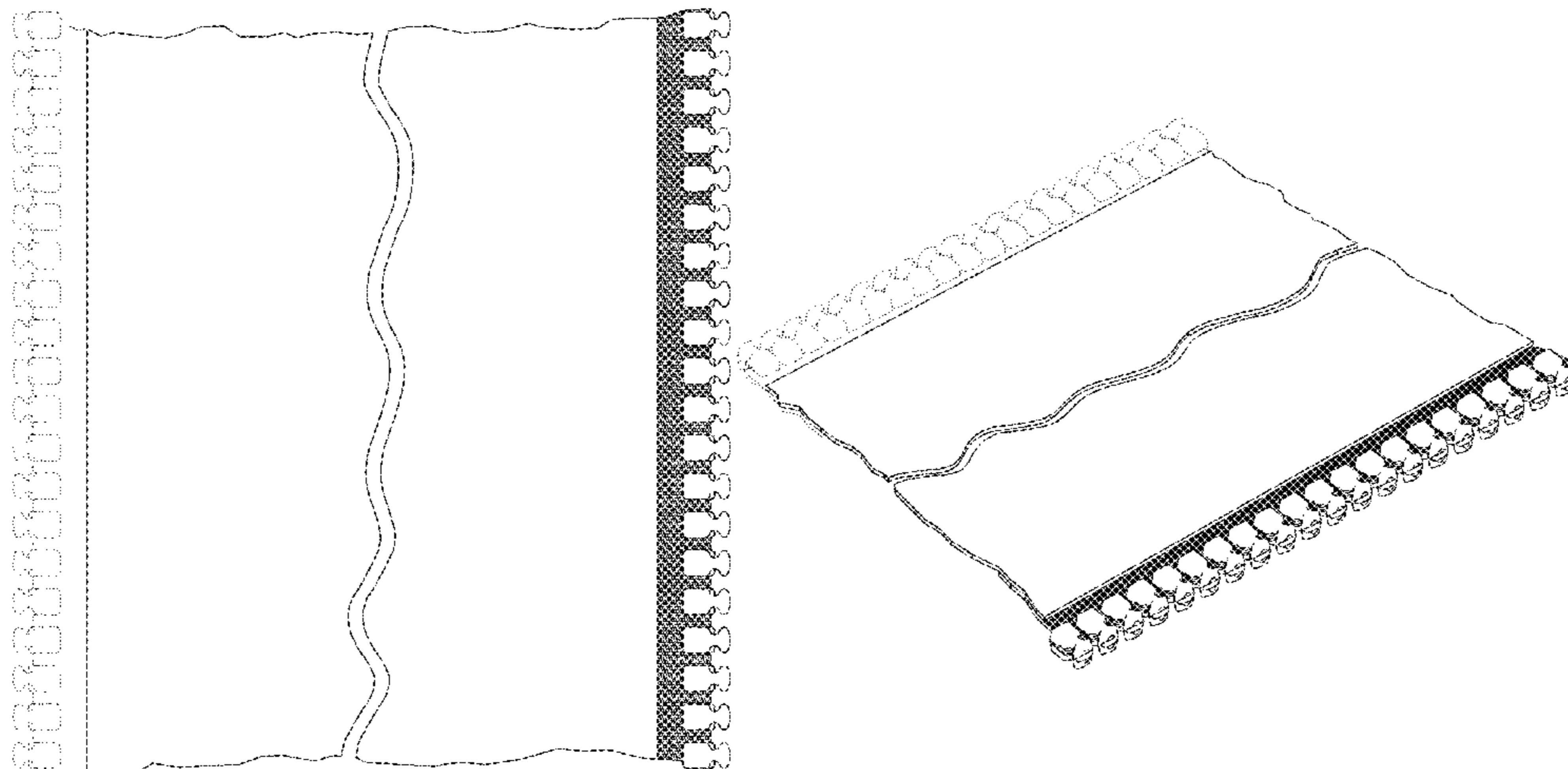
- (54) **BELT OF A PRINTING SYSTEM**
- (71) Applicant: **LANDA CORPORATION LTD.,**
Rehovot (IL)
- (72) Inventors: **Helena Chechik, Rehovot (IL);**
Shoham Livaderu, Moshav Sitriyya
(IL)
- (73) Assignee: **LANDA CORPORATION LTD.,**
Rehovot (IL)
- (**) Term: **15 Years**
- (21) Appl. No.: **29/637,355**
- (22) Filed: **Feb. 16, 2018**
- (51) **LOC (13) Cl.** **18-02**
- (52) **U.S. Cl.**
USPC **D18/56; D18/40; D18/99**
- (58) **Field of Classification Search**
USPC D11/221; D18/40, 56, 99
CPC A44B 19/34; A44B 19/38; A44B 19/26;
A44B 19/262; A44B 19/36; A44B
19/403; A44B 19/42; A44B 19/60; A44B
19/62; A41H 37/003; A47G 25/902;
Y10T 24/2509; Y10T 24/2557; Y10T
24/2582; Y10T 24/2586; Y10T 24/2591;
Y10T 24/2593; Y10T 24/2595; Y10T
24/2598; Y10T 24/44504; Y10T
403/32975

See application file for complete search history.

D126,195	S	4/1941	Cohen	
2,385,020	A	9/1945	Morin	
2,537,313	A *	1/1951	Morin	A44B 19/26 24/427
2,607,715	A *	8/1952	Waldes	A41H 37/003 156/66
2,718,047	A *	9/1955	Waldes	A44B 19/346 24/403
2,768,922	A *	10/1956	Klein	A41H 37/003 156/66
2,814,847	A *	12/1957	Zbinden	A44B 19/34 24/434
2,854,722	A *	10/1958	Duche	A47G 25/902 24/514
3,641,634	A *	2/1972	Asai	A44B 19/262 24/429
4,044,432	A *	8/1977	Ebata	A01K 73/12 43/7
4,099,301	A *	7/1978	Fujisaki	A44B 19/36 24/386
D265,606	S *	8/1982	Kasai	D11/221
4,359,008	A *	11/1982	Newman	D05B 3/18 112/104
D274,016	S *	5/1984	Kasai	D11/221
4,487,645	A	12/1984	Weston	
D284,330	S *	6/1986	Yoshikawa	D11/221
D288,255	S	2/1987	Bode et al.	
D291,777	S	9/1987	Lapeyre et al.	
D293,225	S *	12/1987	Hasegawa	D11/221
4,884,826	A	12/1989	Slagsvol	
D326,433	S *	5/1992	Takizawa	D11/200
5,246,100	A	9/1993	Stone et al.	
5,745,960	A *	5/1998	Dishner	A44B 19/00 24/381
D407,668	S *	4/1999	Okeya	D11/221
5,917,508	A	6/1999	Lopez et al.	
D420,777	S	2/2000	Damkjær	
D452,081	S	12/2001	Rowan	
6,403,207	B1	6/2002	Weder	
6,457,709	B1	10/2002	Madsen et al.	
D473,032	S	4/2003	Altom	
D502,585	S	3/2005	Damkjaer	
D586,395	S	2/2009	Kang	
D586,396	S	2/2009	Kang	
7,691,462	B2	4/2010	Erwin et al.	
D617,565	S	6/2010	Mischel, Jr.	
7,832,853	B2 *	11/2010	Nakashima	B41J 2/16526 347/104
D644,564	S *	9/2011	Kojima	D11/221
D672,687	S	12/2012	Himi	
D673,077	S *	12/2012	Fujita	D11/221
D680,166	S	4/2013	Sato et al.	

(56) **References Cited**
U.S. PATENT DOCUMENTS

1,893,823	A *	1/1933	Legat	A44B 19/38 24/434
1,899,479	A *	2/1933	Prentice	A44B 19/38 24/433
2,060,830	A *	11/1936	Silberman	A44B 19/403 24/413
2,068,500	A *	1/1937	Marinsky	A44B 19/34 139/384 B
D118,022	S *	12/1939	Poux	D11/221



D700,865	S	*	3/2014	Miyazaki	D11/221
D700,866	S	*	3/2014	Miyazaki	D11/221
D700,867	S	*	3/2014	Miyazaki	D11/221
D700,868	S	*	3/2014	Miyazaki	D11/221
D701,141	S	*	3/2014	Miyazaki	D11/221
D701,142	S	*	3/2014	Miyazaki	D11/221
D710,748	S	*	8/2014	Takabayashi	D11/221
D715,187	S	*	10/2014	Fujita	D11/221
D715,188	S	*	10/2014	Fujita	D11/221
D715,189	S	*	10/2014	Fujita	D11/221
D715,687	S	*	10/2014	Fujita	D11/221
D715,688	S	*	10/2014	Fujita	D11/221
D716,184	S	*	10/2014	Fujita	D11/221
D724,996	S	*	3/2015	Hung	D11/221
D726,589	S	*	4/2015	Xie	D11/221
D731,359	S	*	6/2015	Xie	D11/221
D737,536	S		8/2015	Baek et al.		
D746,721	S	*	1/2016	Petronis	D11/221
D779,590	S		2/2017	Pryor		
9,591,898	B2	*	3/2017	Burkhart-Day	A44B 19/34
D786,350	S		5/2017	Nakai et al.		
D786,351	S		5/2017	Nakai et al.		
9,643,403	B2	*	5/2017	Landa	B41M 5/0256
9,668,549	B2	*	6/2017	Tsuzuyama	A44B 19/346
9,854,880	B2	*	1/2018	Kojima	A44B 19/36
10,001,730	B1		6/2018	Gould, II et al.		
D830,456	S		10/2018	Costas		
D831,110	S		10/2018	Costas		
10,434,761	B2	*	10/2019	Landa	B41M 5/0256
D866,392	S		11/2019	Cobb et al.		
D888,286	S		6/2020	Spear		
D893,348	S		8/2020	Cheng		
10,759,953	B2		9/2020	Landa et al.		
10,960,660	B2		3/2021	Landa et al.		
2003/0143362	A1	*	7/2003	Hsieh	B29C 66/2272 428/58
2006/0204700	A1		9/2006	Kiraly		
2007/0025768	A1		2/2007	Komatsu et al.		
2007/0029171	A1		2/2007	Nemedi		
2009/0074492	A1		3/2009	Ito		
2010/0269312	A1	*	10/2010	Wagner	A44B 18/0088 24/400
2011/0068025	A1	*	3/2011	Whittemore	E06B 5/025 206/225
2013/0201237	A1		8/2013	Thomson et al.		
2013/0228419	A1		9/2013	Baek et al.		
2015/0015650	A1		1/2015	Landa et al.		
2015/0157096	A1	*	6/2015	Mikuma	A44B 19/32 24/389
2015/0165759	A1	*	6/2015	Landa	B41J 2/0057 347/103
2016/0075130	A1	*	3/2016	Landa	B41J 2/0057 347/103
2016/0194865	A1		7/2016	Chou		
2018/0079201	A1		3/2018	Landa et al.		
2018/0126726	A1	*	5/2018	Shmaiser	G03G 15/1615
2019/0322108	A1		10/2019	Manes		
2020/0062002	A1	*	2/2020	Landa	B32B 7/12
2020/0290340	A1	*	9/2020	Chechik	G03G 15/161

OTHER PUBLICATIONS

Landa—Nanographic press, published May 3, 2021 [online], [retrieved May 23, 2021], Available from Internet, URL: [https:// imieurope. eom/inkjet-blog/2016/1/20/landa-steals-the-biggest-print-show-on-earth](https://imieurope.com/inkjet-blog/2016/1/20/landa-steals-the-biggest-print-show-on-earth).

* cited by examiner

Primary Examiner — Andrew T Nemeth
(74) Attorney, Agent, or Firm — Momentum IP Group;
Marc Van Dyke

(57) CLAIM

The ornamental design for a belt of a printing system, as shown and described.

DESCRIPTION

FIG. 1 is a top view of a first embodiment of a belt for a printing system showing the new design; FIG. 2 is a bottom view thereof; FIG. 3 is a right view thereof; FIG. 4 is a left view thereof; FIG. 5 is a front view thereof; FIG. 6 is a back view thereof; FIG. 7 is a perspective view thereof; FIG. 8 is a top view of a second embodiment of a belt for a printing system showing the new design; FIG. 9 is a bottom view thereof; FIG. 10 is a right view thereof; FIG. 11 is a left view thereof; FIG. 12 is a front view thereof; FIG. 13 is a back view thereof; FIG. 14 is a perspective view thereof; FIG. 15 is a top view of a third embodiment of a belt for a printing system showing the new design; FIG. 16 is a bottom view thereof; FIG. 17 is a right view thereof; FIG. 18 is a left view thereof; FIG. 19 is a front view thereof; FIG. 20 is a back view thereof; FIG. 21 is a perspective view thereof; FIG. 22 is a top view of a fourth embodiment of a belt for a printing system showing the new design; FIG. 23 is a bottom view thereof; FIG. 24 is a right view thereof; FIG. 25 is a left view thereof; FIG. 26 is a front view thereof; FIG. 27 is a back view thereof; FIG. 28 is a perspective view thereof; FIG. 29 is a top view of a fifth embodiment of a belt for a printing system showing the new design; FIG. 30 is a bottom view thereof; FIG. 31 is a right view thereof; FIG. 32 is a left view thereof; FIG. 33 is a front view thereof; FIG. 34 is a back view thereof; FIG. 35 is a perspective view thereof; FIG. 36 is a top view of a sixth embodiment of a belt for a printing system showing the new design; FIG. 37 is a bottom view thereof; FIG. 38 is a right view thereof; FIG. 39 is a left view thereof; FIG. 40 is a front view thereof; FIG. 41 is a back view thereof; and, FIG. 42 is a perspective view thereof. In the drawings, the evenly dashed lines illustrate portions of the belt for a printing system that form no part of the claimed design. The belt of a printing system is shown with a symbolic break in its width. The appearance of any portion of the article between the break lines forms no part of the claimed design. The front and back of the belt are shown symbolically broken away. Portions of the article beyond what is shown in the drawings form no part of the claimed design. The symbolic break lines form no part of the claimed design. In the embodiments of FIGS. 1-14, a black woven pattern indicates a first pattern of the material, and a horizontal twist pattern indicates a second pattern of the material.

In the embodiments of FIGS. **15-28**, a dotted hatching pattern indicates a first pattern of the material, and a cube hatching pattern indicates a second pattern of material.

In the embodiments of FIGS. **29-42**, shading lines indicate a first pattern of the material, and stippling indicates a second pattern of the material.

1 Claim, 24 Drawing Sheets

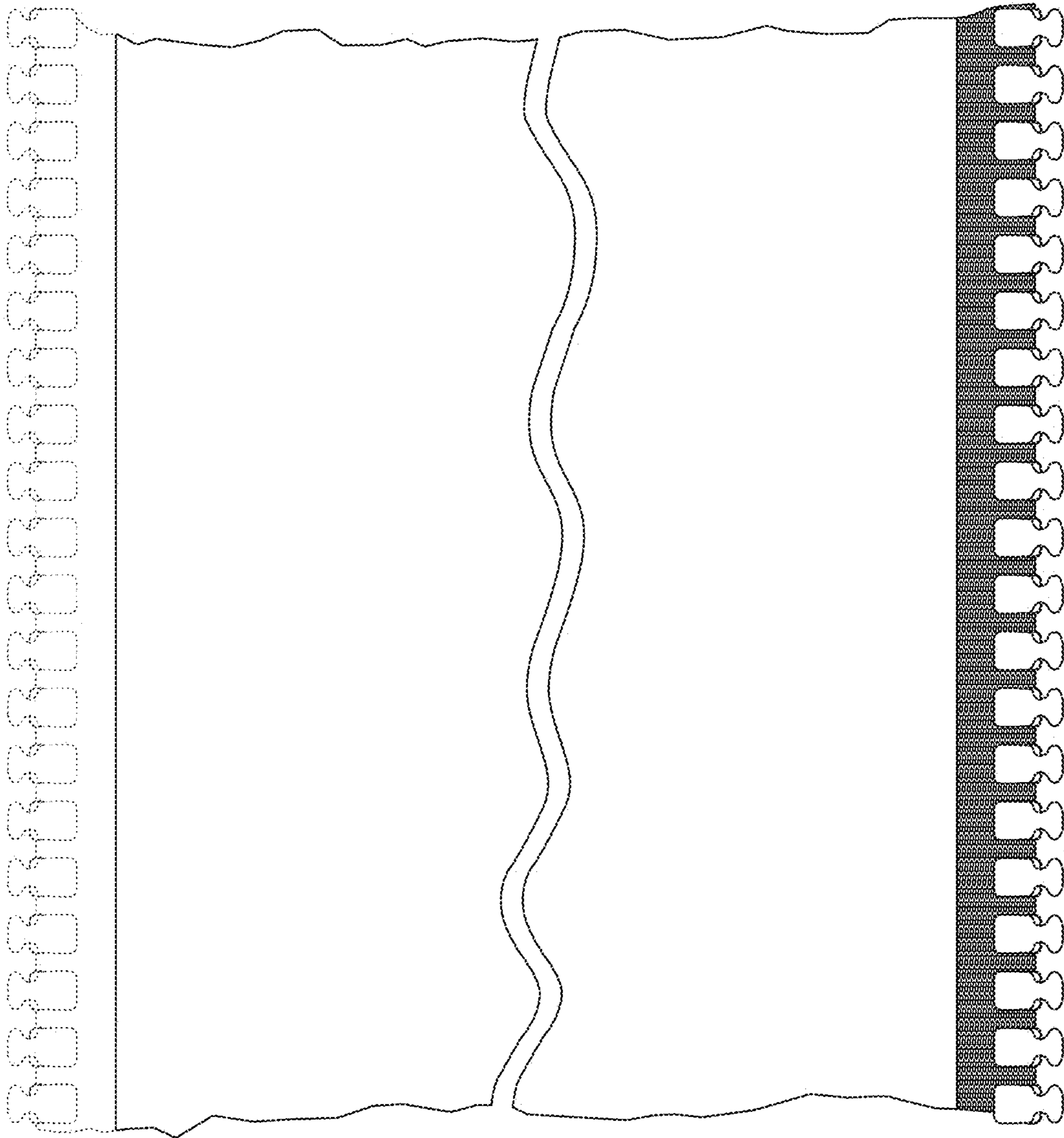


FIG. 1

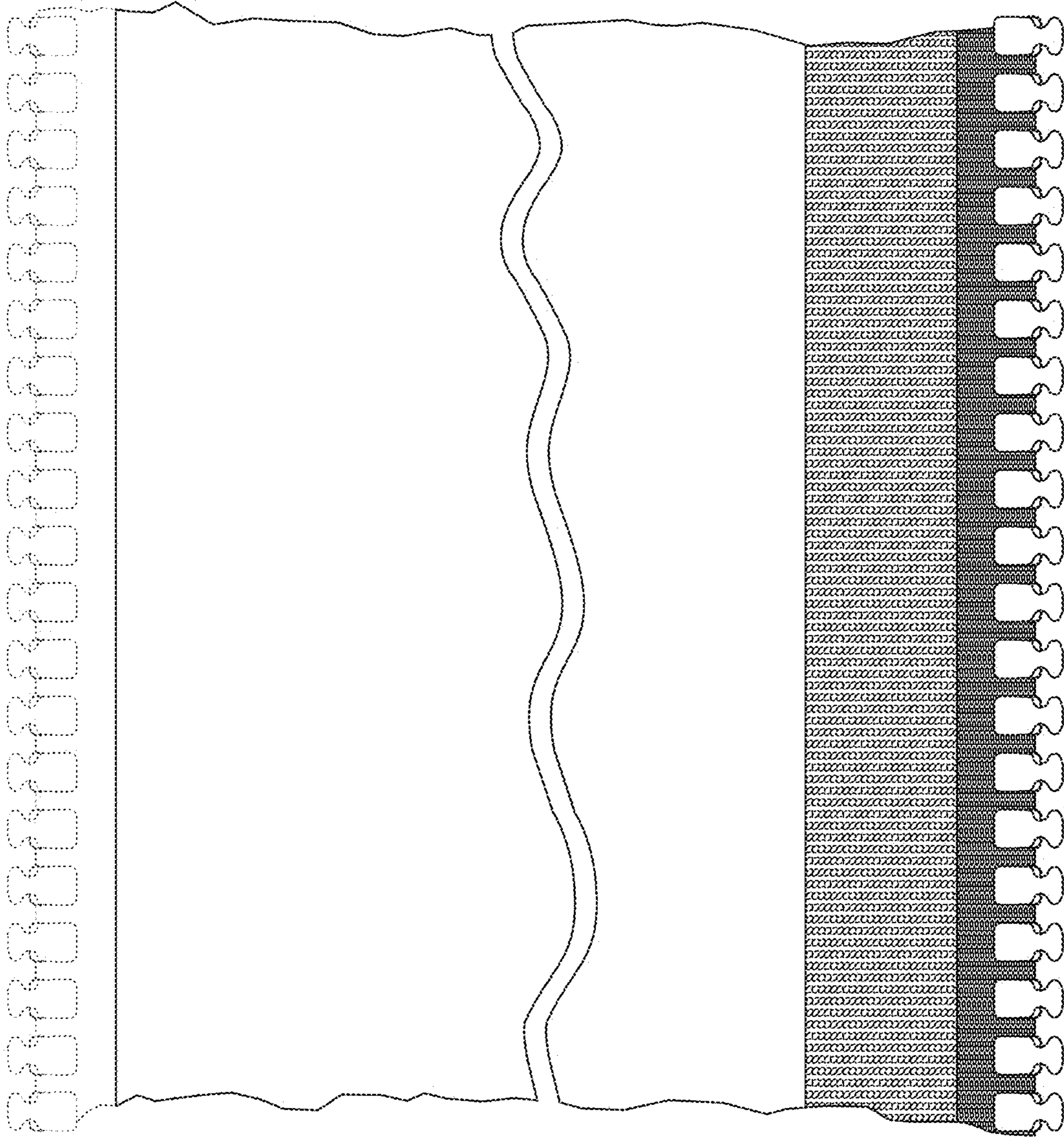


FIG. 2



FIG. 3

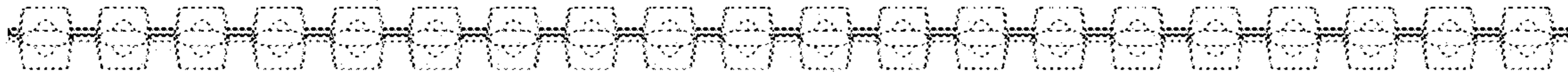


FIG. 4



FIG. 5



FIG. 6

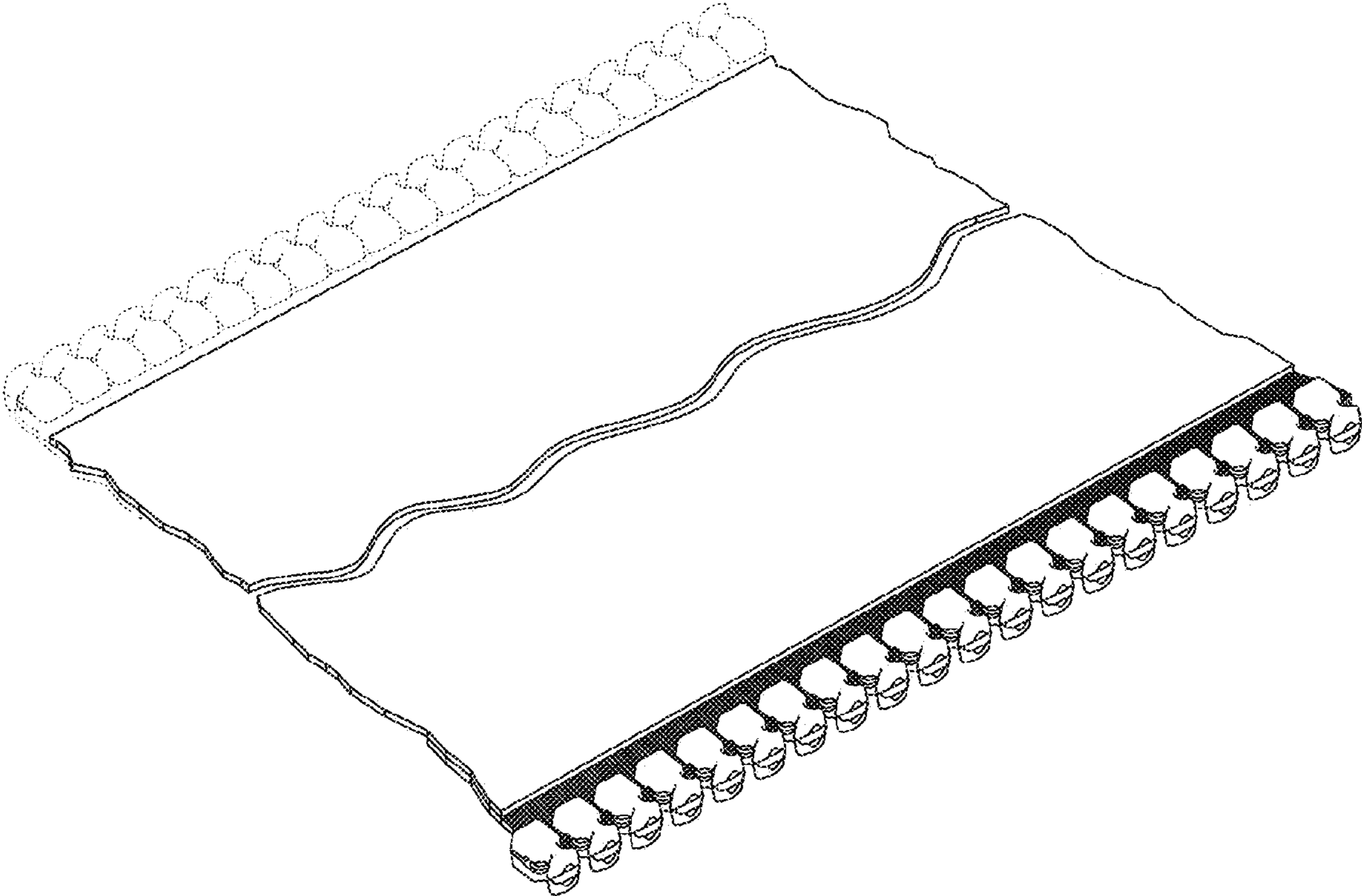


FIG. 7

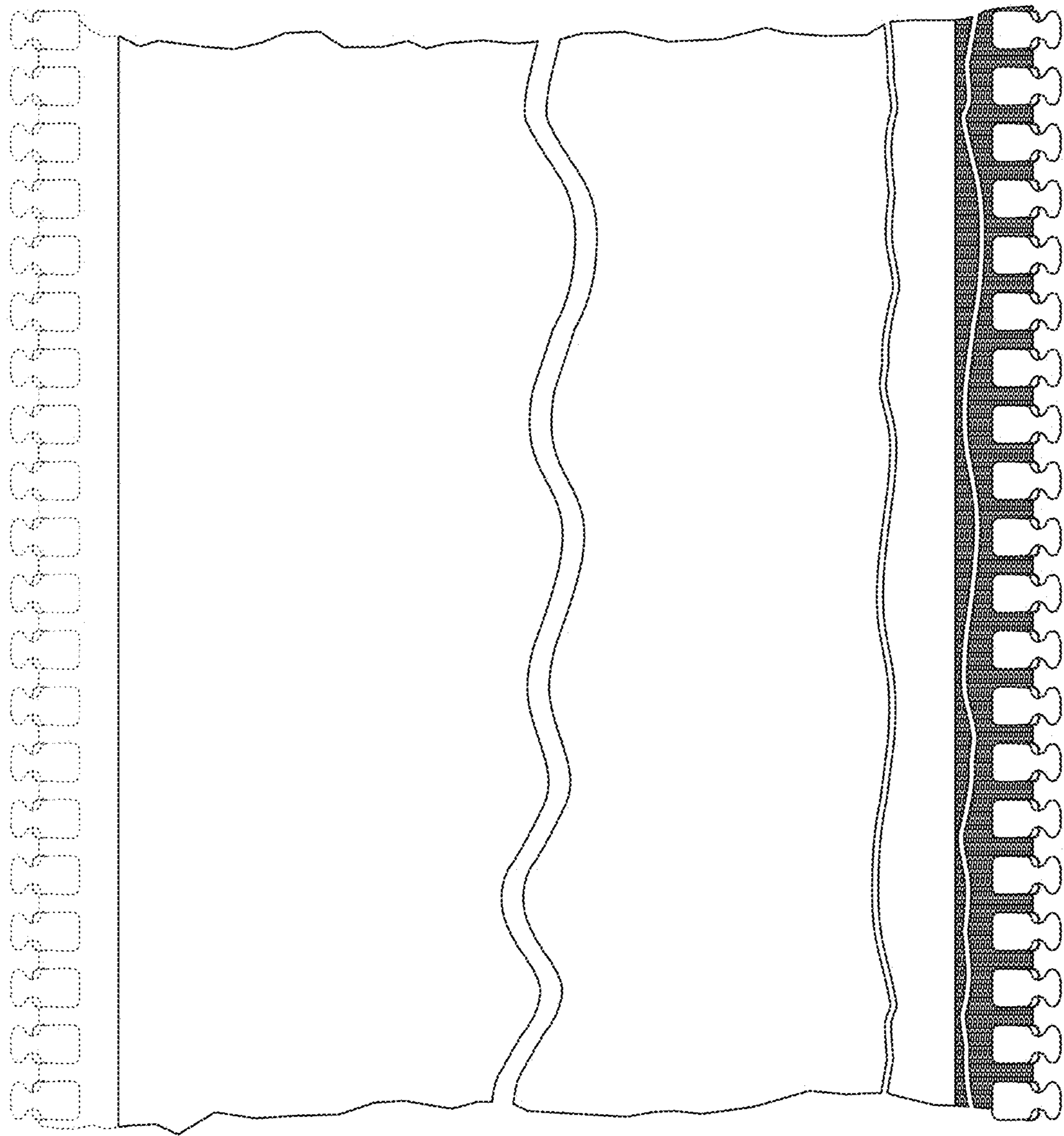


FIG. 8

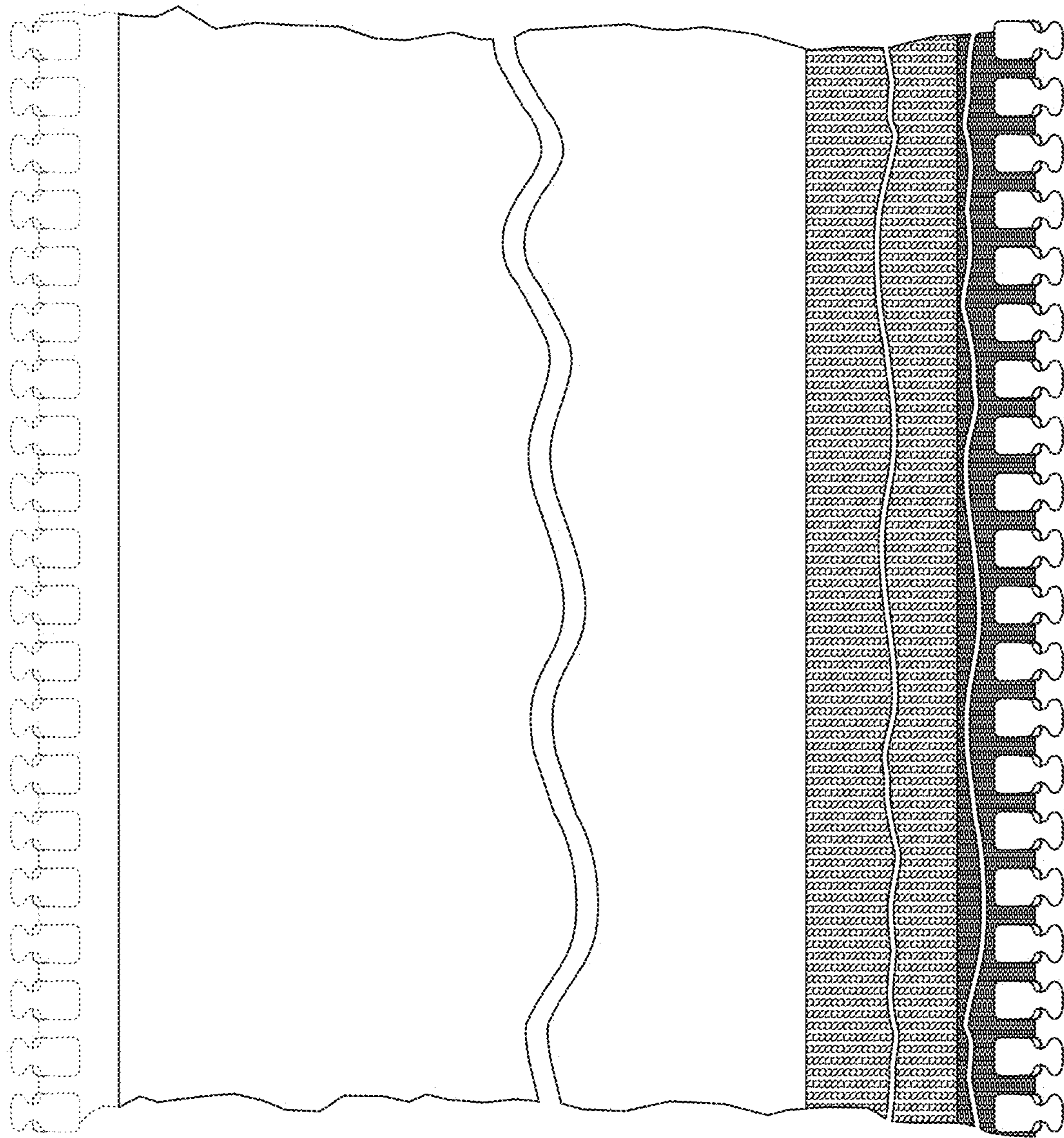


FIG. 9



FIG. 10



FIG. 11



FIG. 12



FIG. 13

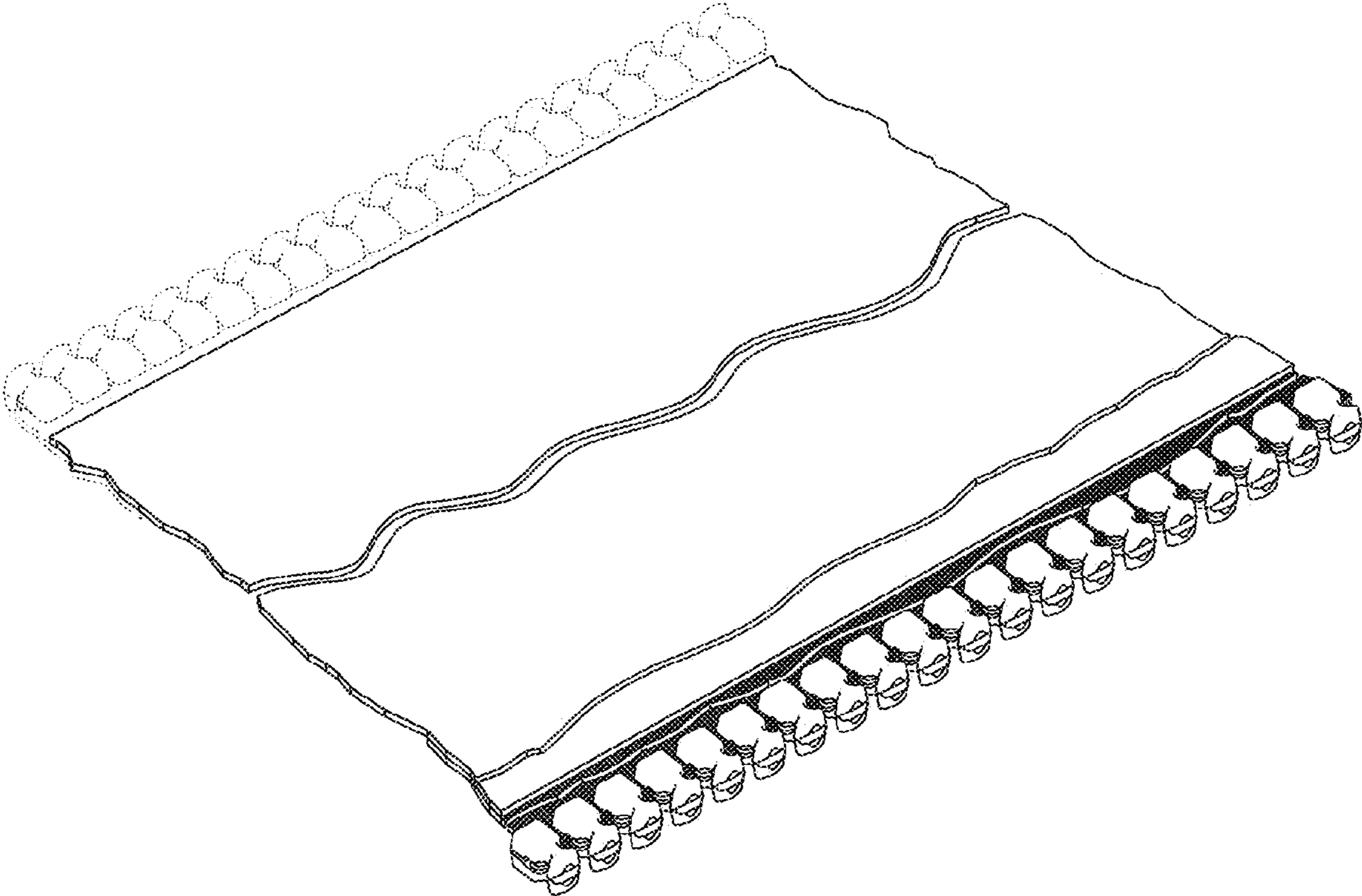


FIG. 14

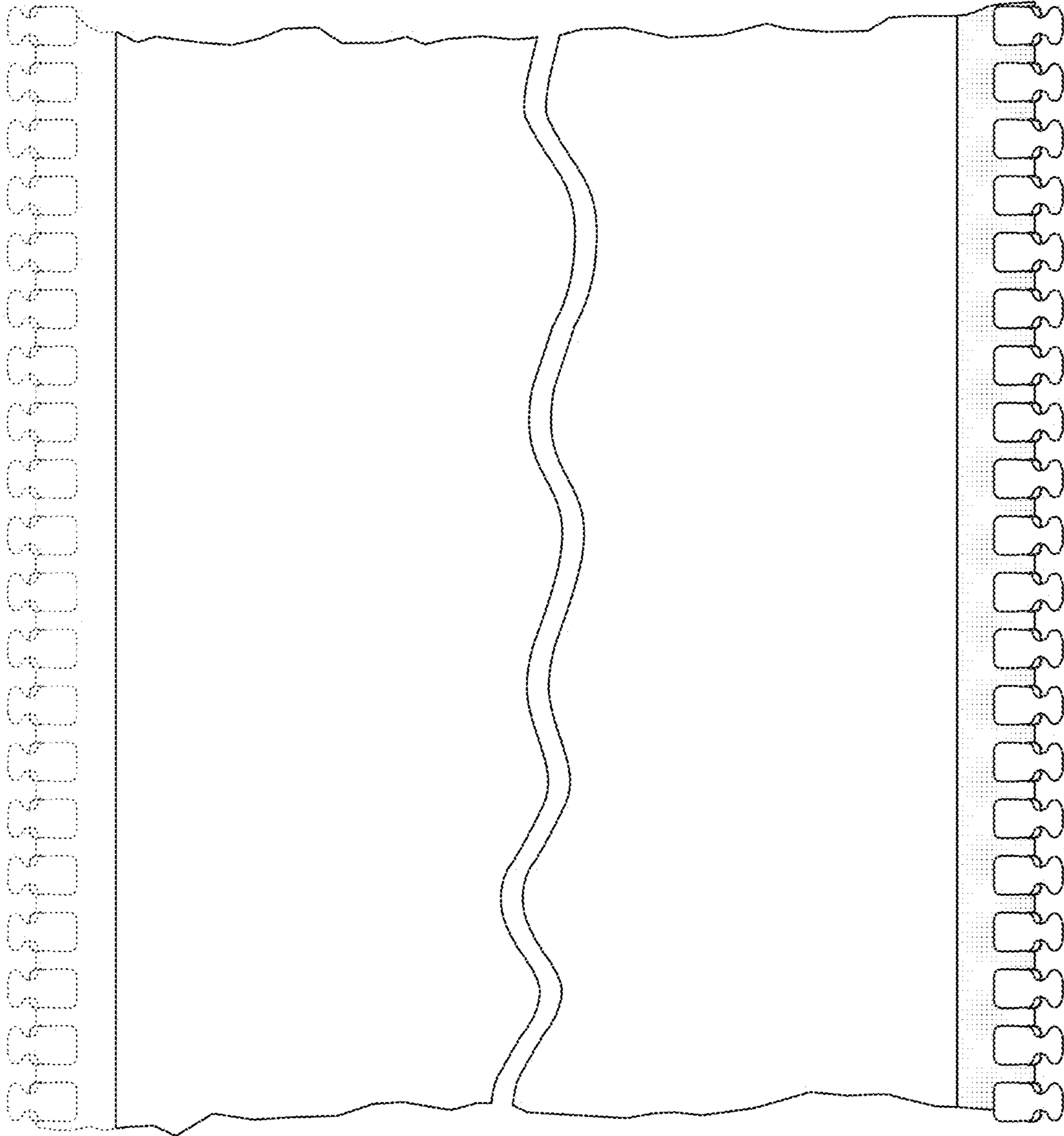


FIG. 15

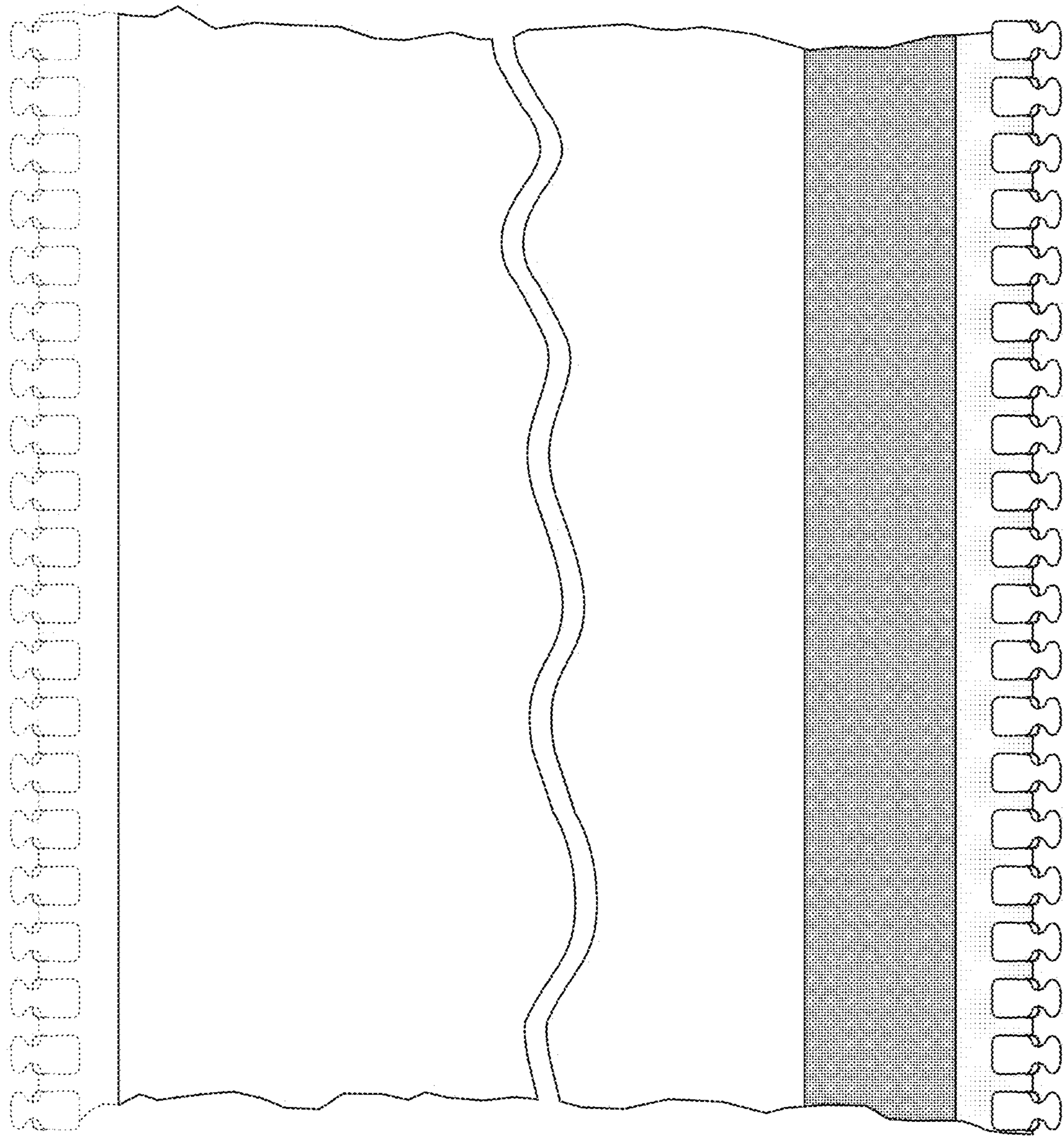


FIG. 16



FIG. 17

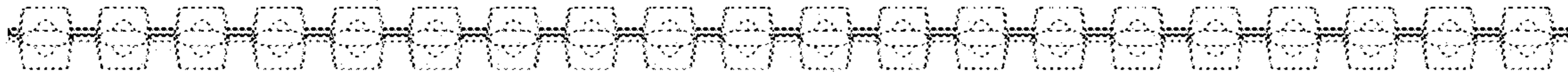


FIG. 18



FIG. 19



FIG. 20

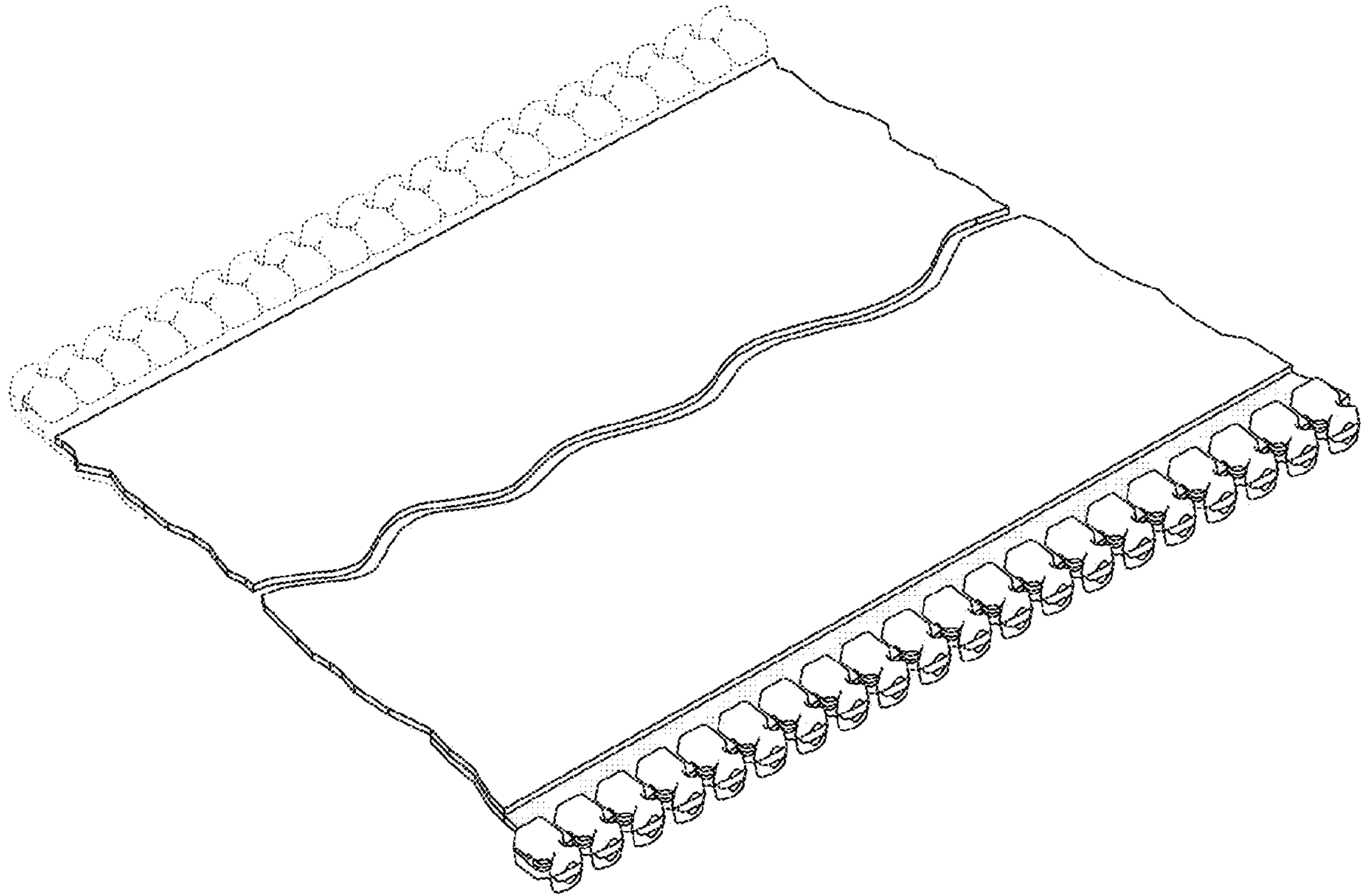


FIG. 21

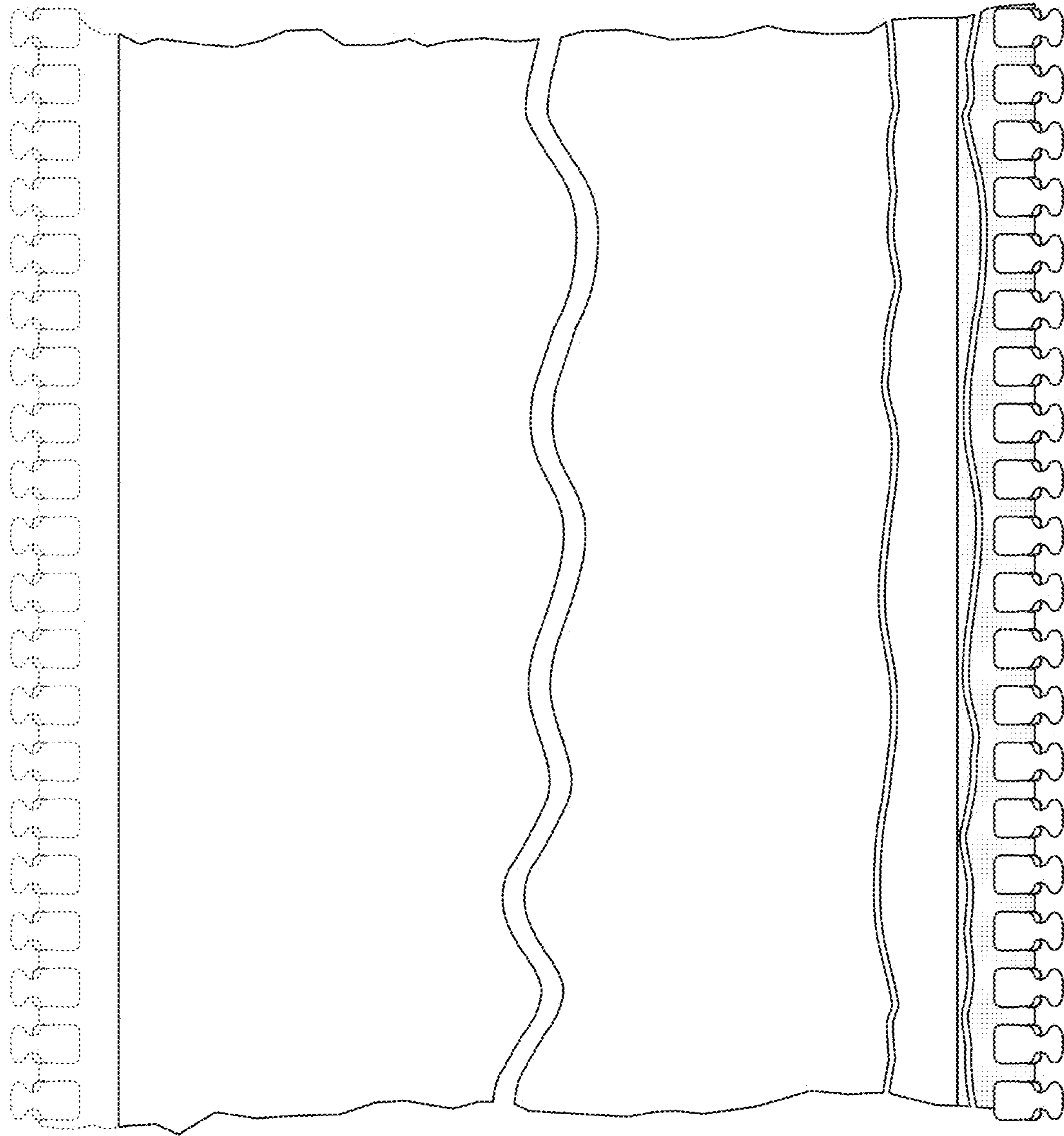


FIG. 22

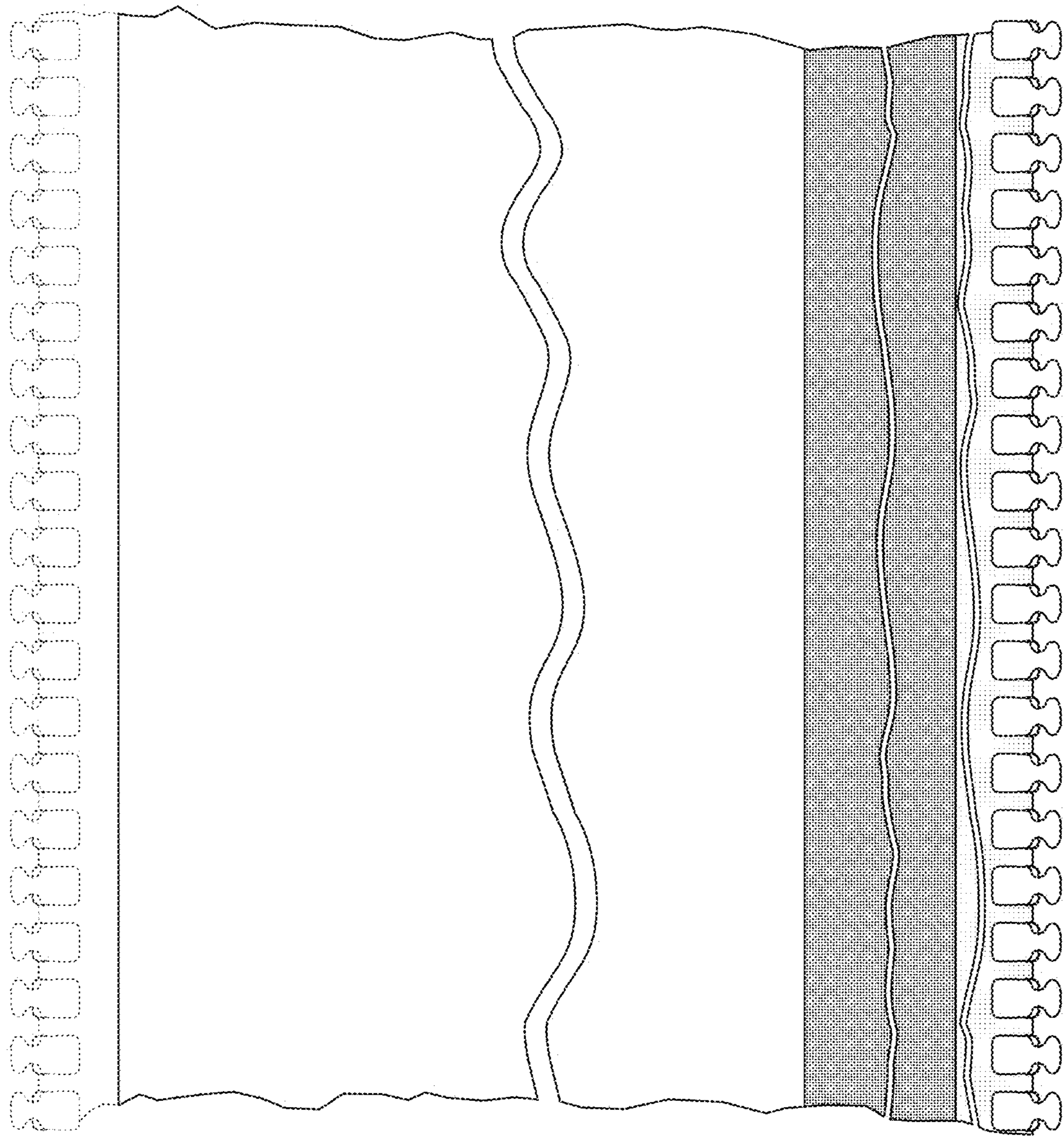


FIG. 23



FIG. 24

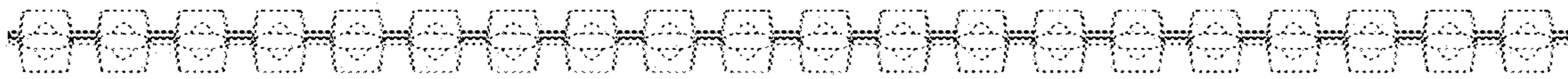


FIG. 25



FIG. 26



FIG. 27

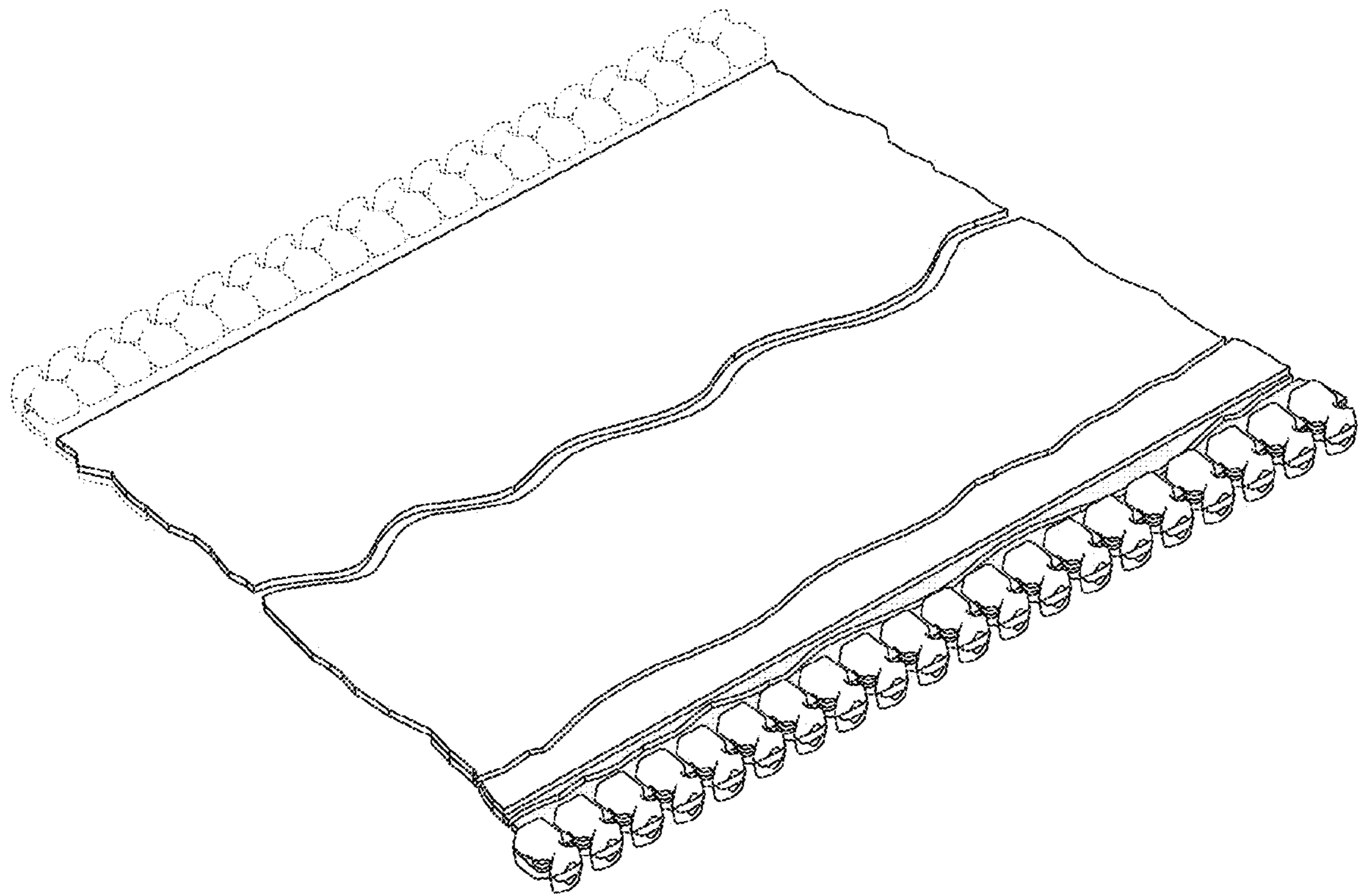


FIG. 28

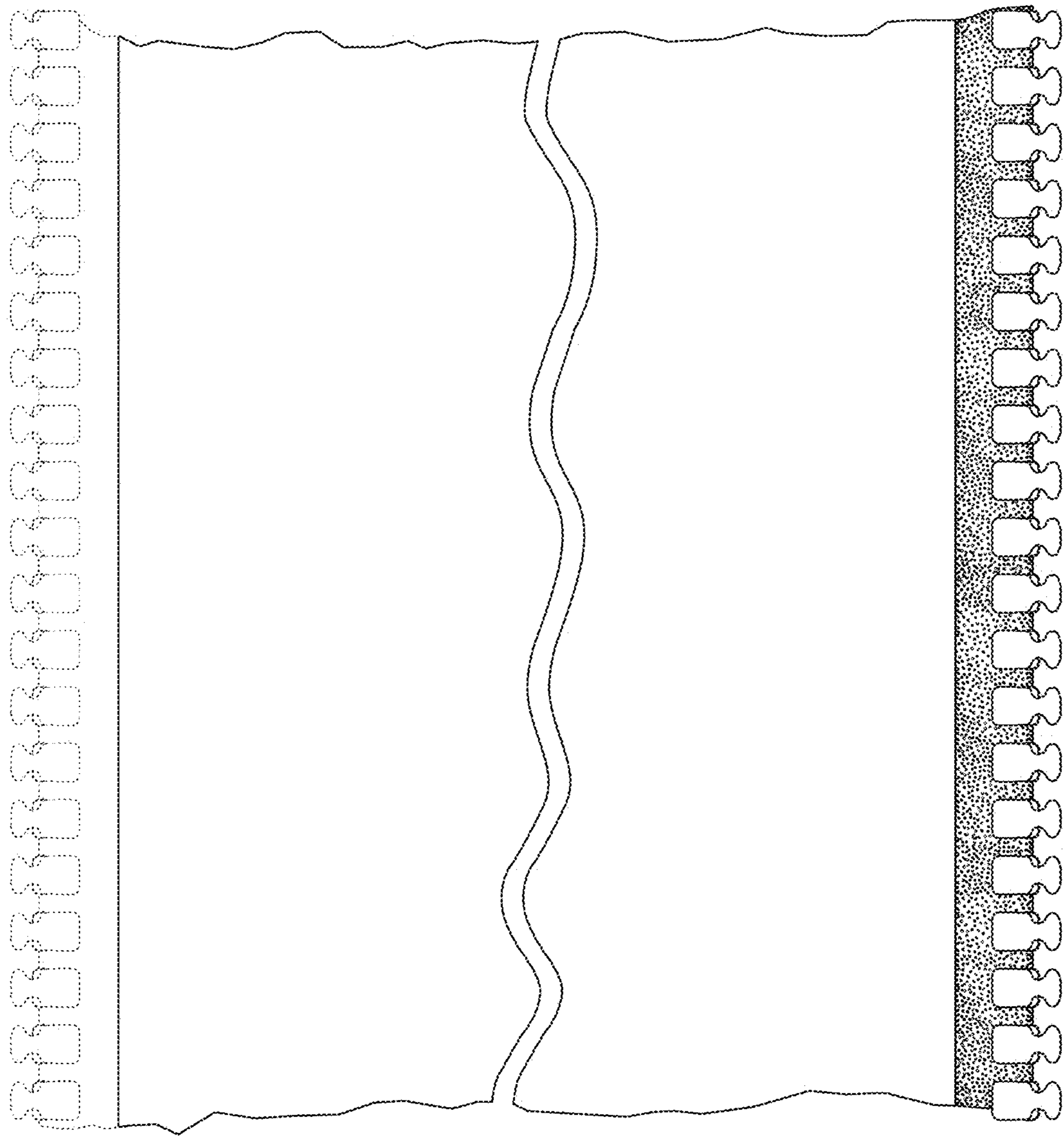


FIG. 29

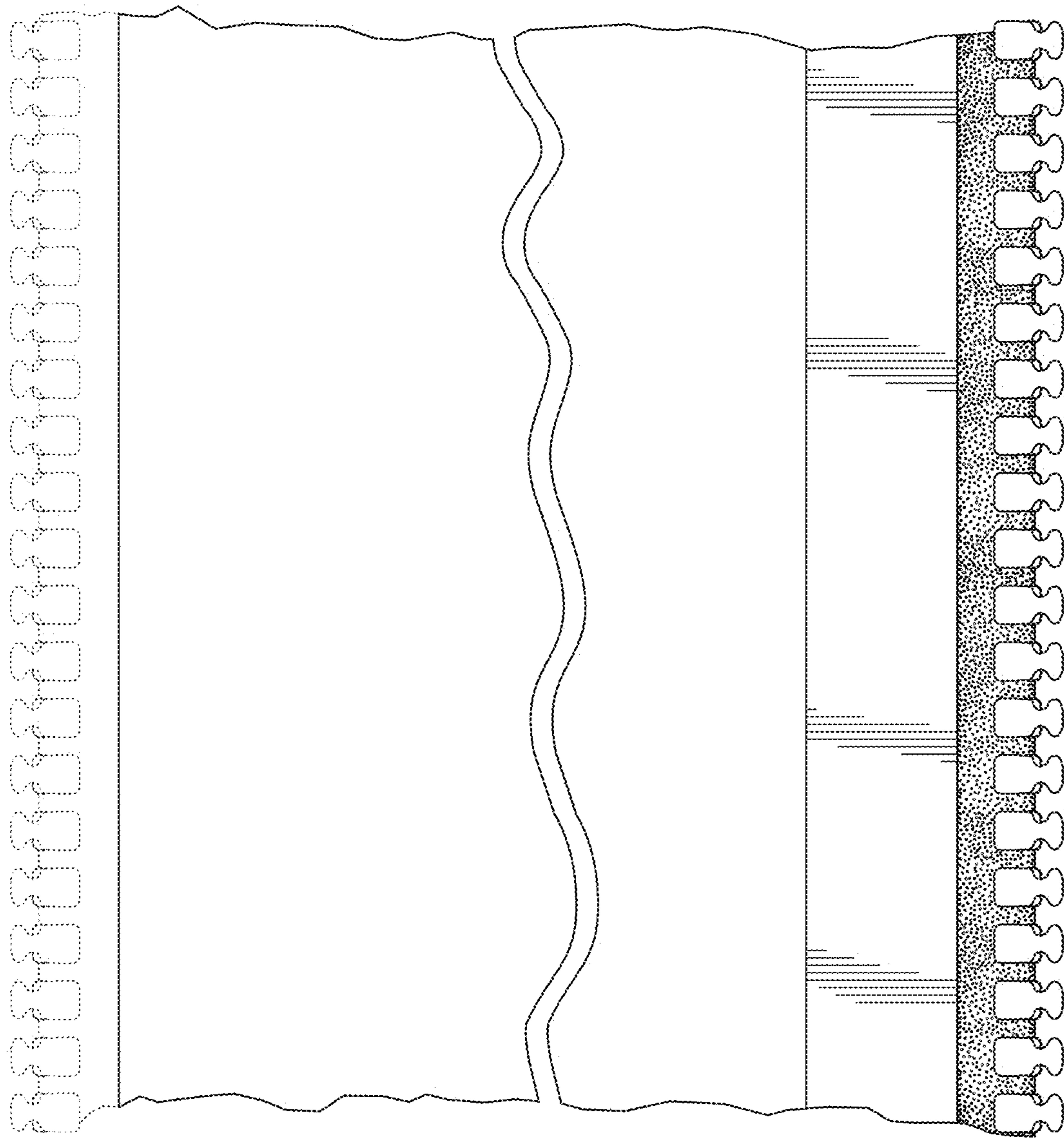


FIG. 30



FIG. 31

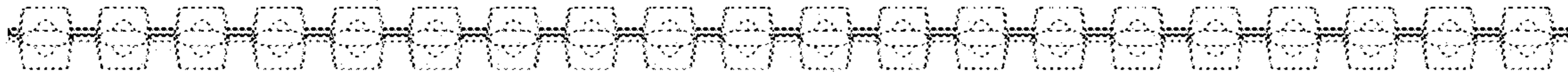


FIG. 32



FIG. 33



FIG. 34

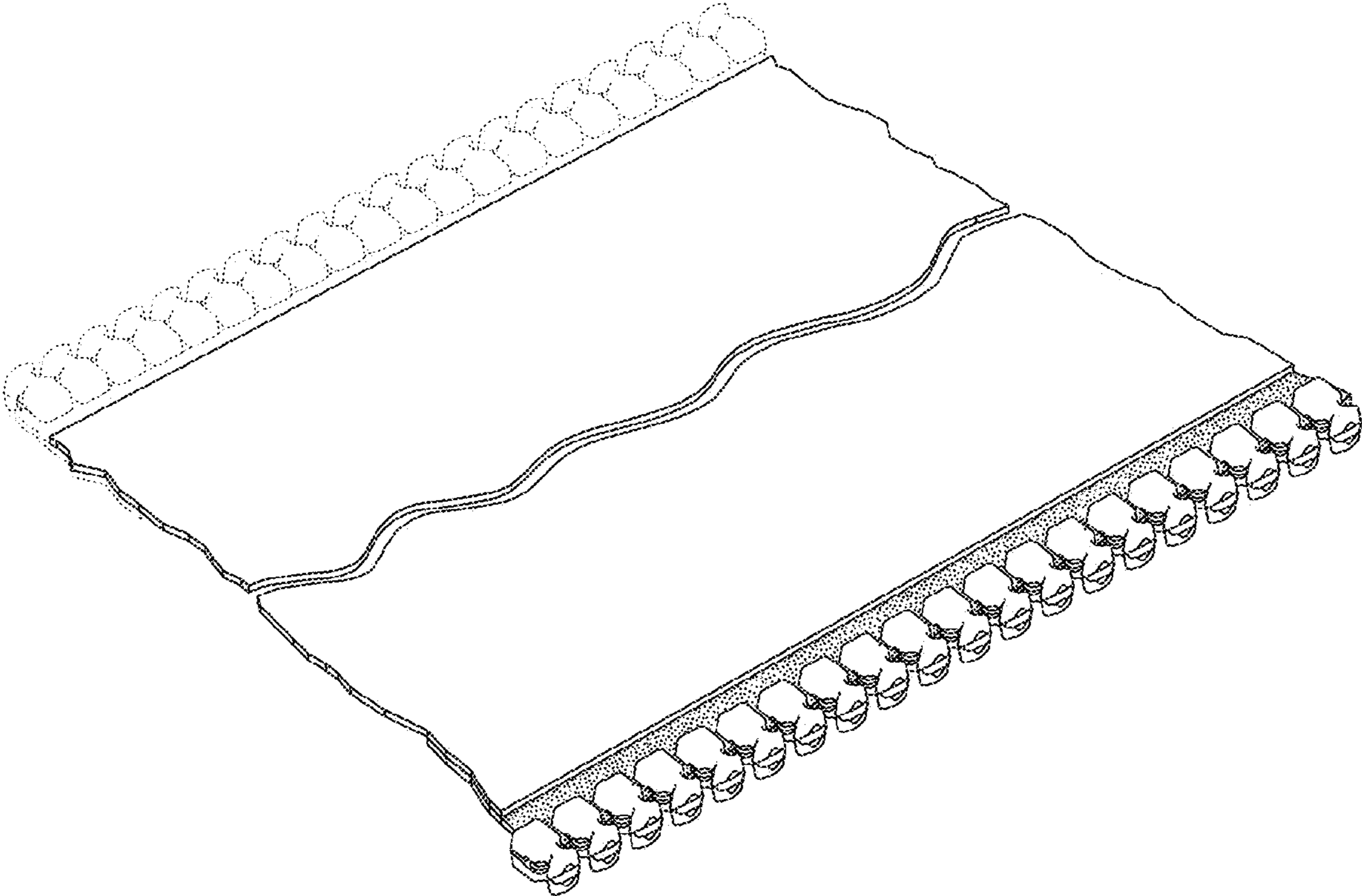


FIG. 35

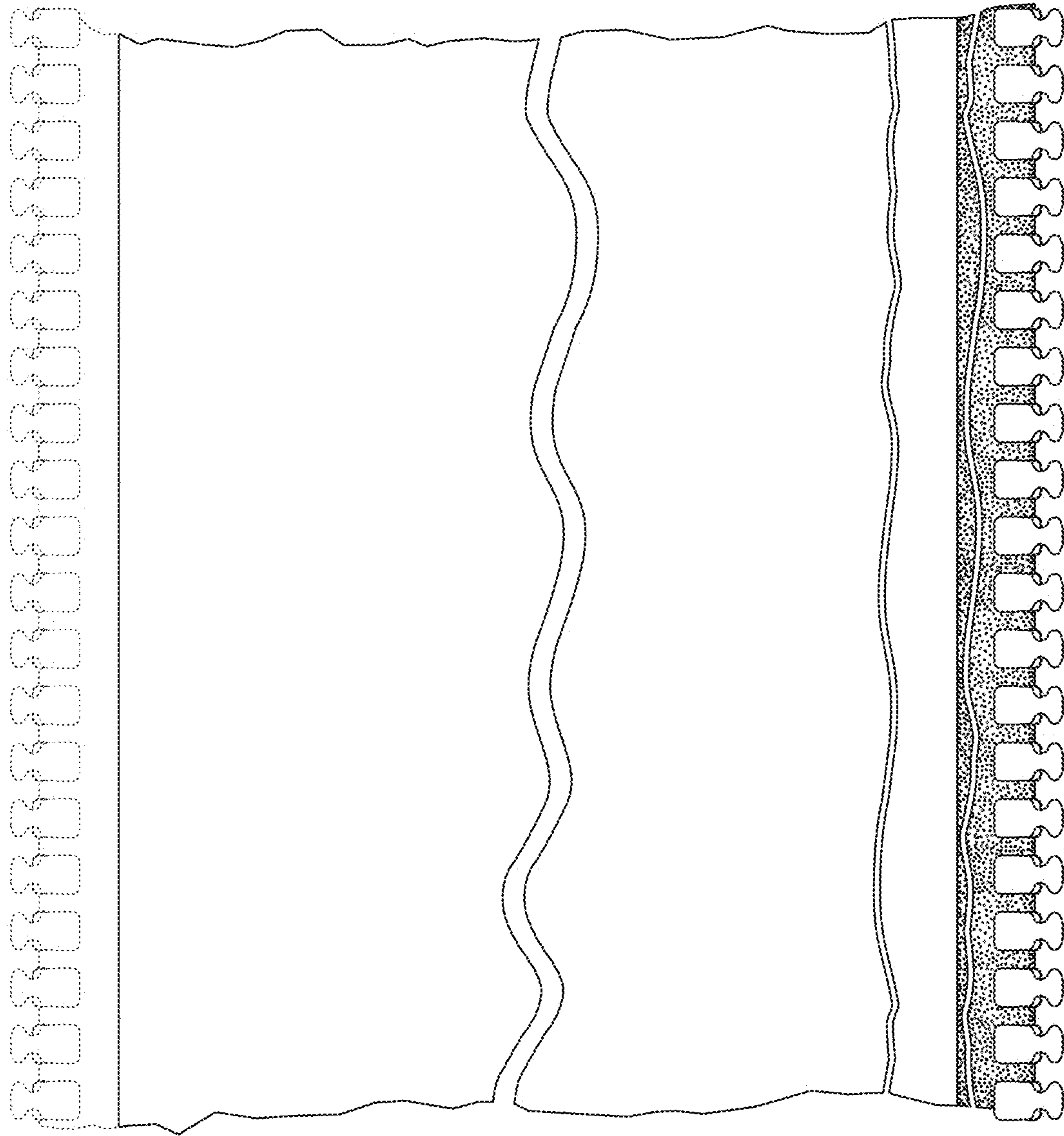


FIG. 36

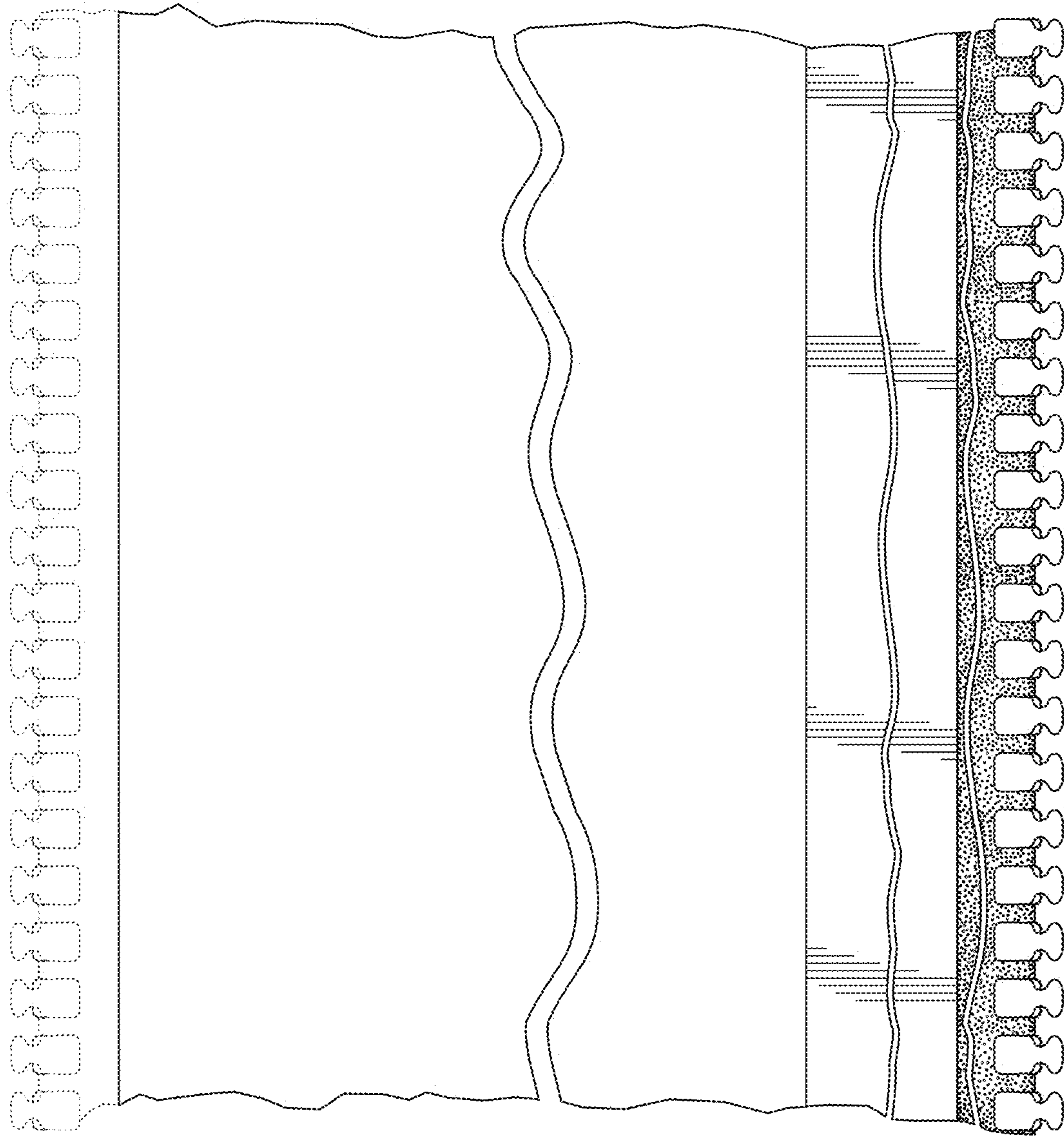


FIG. 37



FIG. 38

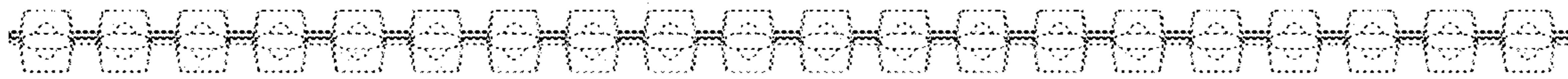


FIG. 39



FIG. 40



FIG. 41

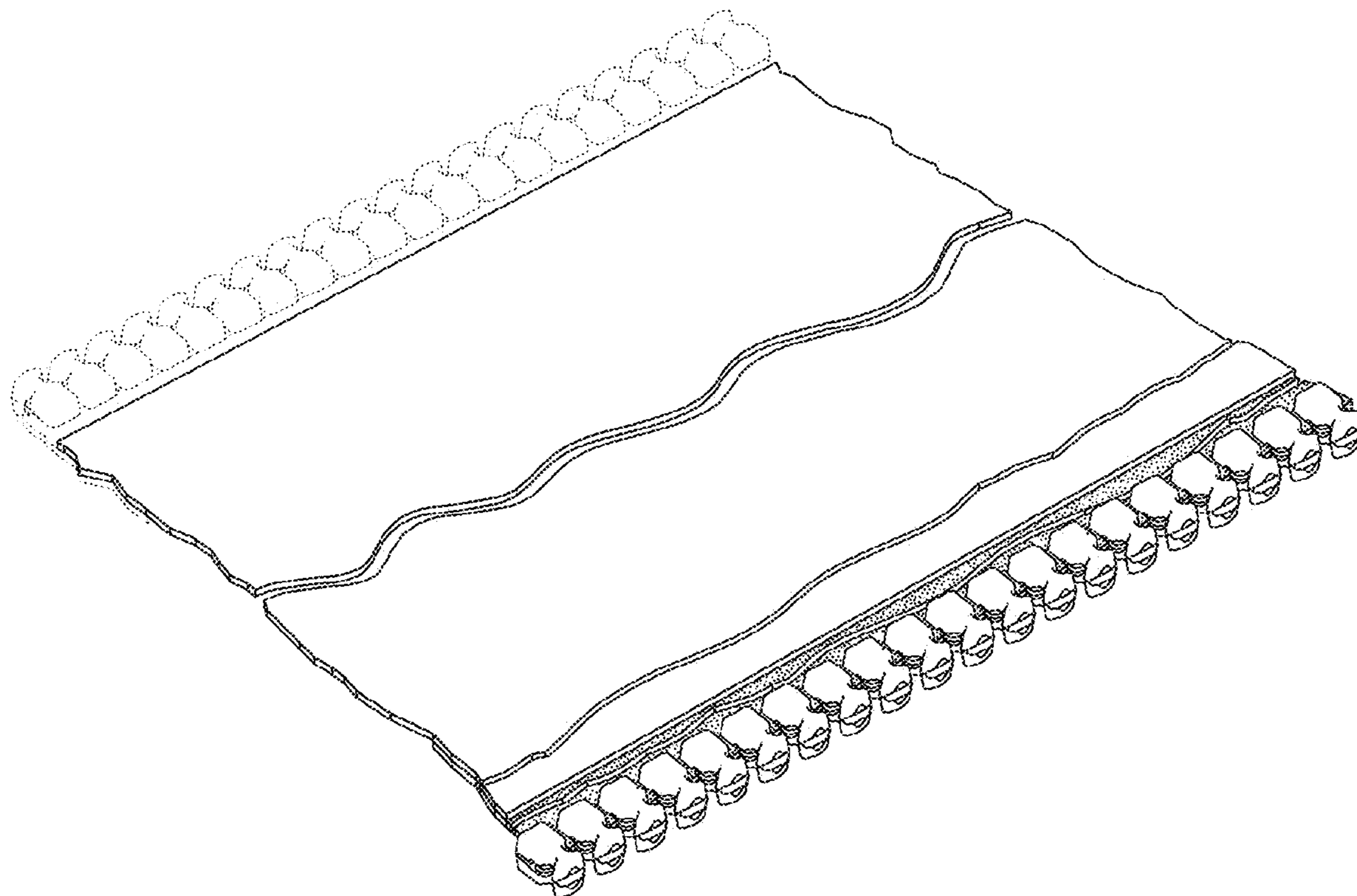


FIG. 42