



US00D931362S

(12) **United States Design Patent**
Ghassemian et al.

(10) **Patent No.:** **US D931,362 S**
(45) **Date of Patent:** **** Sep. 21, 2021**

(54) **BANKNOTE PROCESSING DEVICE**

(71) Applicant: **Cummins-Allison Corp.**, Mt. Prospect, IL (US)

(72) Inventors: **Morad Ghassemian**, Oak Park, IL (US); **Jared Lee Fritts**, Downers Grove, IL (US)

(73) Assignee: **Cummins-Allison Corp.**, Mt. Prospect, IL (US)

(**) Term: **15 Years**

(21) Appl. No.: **29/686,982**

(22) Filed: **Apr. 9, 2019**

(51) **LOC (13) Cl.** **18-01**

(52) **U.S. Cl.**
USPC **D18/3.3**

(58) **Field of Classification Search**

USPC ... D18/3.3, 3.1, 3.2, 4.1, 4.4, 12, 12.1, 12.2, D18/12.3, 46, 47, 56, 59; D14/300, 301, D14/302, 303, 307, 308, 348, 349, 432, D14/439, 441, 448, 449, 462, 469, 471, D14/900, 901, 902; D10/96, 97; D99/28, 34, 35, 43, 99; D19/64, 65, 86, D19/95, 99, 100; D20/1, 8, 9; D15/122
CPC .. G07D 11/00; G07D 11/009; G07D 11/0093; G07D 11/50; G07D 11/0003; G07D 11/0021; G07D 11/0042; G07D 11/0081; G07D 11/0084; G07D 11/0006; G07D 11/0009; G07D 2207/00; G07D 2211/00; G07D 7/00; G07D 7/04; G07G 1/00; G07G 1/0009; G07G 1/0036; G07G 1/10; G07G 1/12; G07F 19/20; G07F 19/205
See application file for complete search history.

(56) **References Cited**

U.S. PATENT DOCUMENTS

D264,847 S * 6/1982 DiBlasio D10/97
D369,984 S * 5/1996 Larsen D10/97

5,790,697 A * 8/1998 Munro G07D 7/00
382/135
5,815,592 A * 9/1998 Mennie B65H 3/063
382/135
5,912,982 A * 6/1999 Munro G07D 11/50
382/135
5,966,456 A * 10/1999 Jones G07D 11/50
382/135
5,975,273 A * 11/1999 Zwahlen G07D 11/18
194/206
D427,623 S * 7/2000 Kuwada D18/3.1
D439,604 S * 3/2001 Takagi D18/3.3
D452,973 S * 1/2002 Kuwada D18/3.3

(Continued)

OTHER PUBLICATIONS

Money Counters. (Design—© Questel) orbit.com. 47 pgs. Print Dates range Nov. 8, 2000-Nov. 7, 2017 [Retrieved Jan. 21, 2021] <https://www.orbit.com/export/QPTUJ214/pdf2/07c1b1d9-8614-4db9-b6aa-1ff03634f828-164754.pdf>.*

Primary Examiner — Marie D. Fast Horse

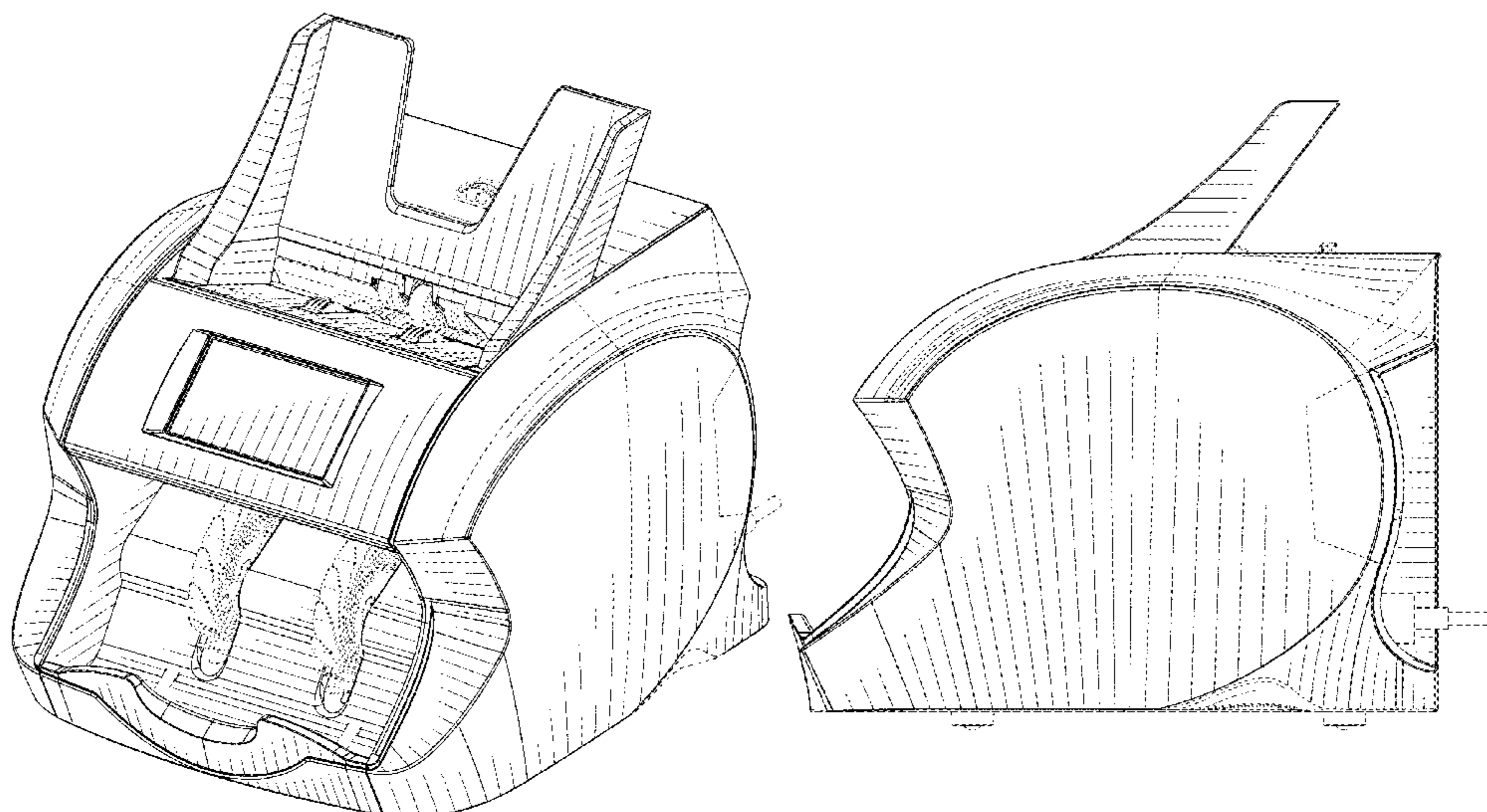
(57) **CLAIM**

The ornamental design for a banknote processing device, as shown and described.

DESCRIPTION

FIG. 1 is a front perspective view of a banknote processing device showing our new design;
FIG. 2 is a front elevational view thereof;
FIG. 3 is a rear elevational view thereof;
FIG. 4 is a first side elevational view thereof;
FIG. 5 is an opposite side elevational view thereof;
FIG. 6 is a top plan view thereof; and,
FIG. 7 is a bottom plan view thereof.
The broken lines consisting of uniform dashes and the broken lines consisting of uniform dots both depict portions of the banknote processing device that form no part of the claimed design.

1 Claim, 7 Drawing Sheets



(56)

References Cited

U.S. PATENT DOCUMENTS

D457,554 S *	5/2002	Takagi	D18/3.3	8,538,123 B1 *	9/2013	Csulits	G07D 11/30
6,578,713 B1 *	6/2003	Matsuura	G07D 11/50					382/135
				209/534	9,355,295 B1 *	5/2016	Jones	G07D 11/30
6,628,816 B2 *	9/2003	Mennie	G07D 11/50	D767,667 S *	9/2016	van Slooten	D18/3.3
				382/135	D767,668 S *	9/2016	van Slooten	D18/3.3
6,913,130 B1 *	7/2005	Mazur	G07D 11/50	D855,103 S *	7/2019	van Slooten	D18/3.3
				194/207	2002/0153412 A1 *	10/2002	Numata	G07D 11/50
D517,115 S *	3/2006	Kuwada	D18/3.3					235/375
D539,332 S *	3/2007	Gonzalez	D18/3.3	2008/0106726 A1 *	5/2008	Park	G07D 7/0043
D560,711 S *	1/2008	Robinson	D18/3.3					356/71
D646,711 S *	10/2011	Funato	D18/3.3	2009/0278307 A1 *	11/2009	Skinner	G07D 11/50
D657,815 S *	4/2012	Iwakami	D18/3.3					271/273
D676,343 S *	2/2013	Shih	D10/97	2010/0320678 A1 *	12/2010	Suzuki	G07D 11/50
D676,344 S *	2/2013	Shih	D10/97					271/265.01
D677,593 S *	3/2013	Shih	D10/97	2011/0004336 A1 *	1/2011	Numata	G07D 11/50
8,401,268 B1 *	3/2013	Yacoubian	G07D 11/50					700/219
				382/135	2012/0002218 A1 *	1/2012	Matsuura	G07D 11/50
8,437,530 B1 *	5/2013	Mennie	G07D 7/20					358/1.6
				382/135	2015/0138343 A1 *	5/2015	Keh	G07D 11/50
									348/131
					2018/0108202 A1 *	4/2018	Kim	G07D 11/10
					2018/0130278 A1 *	5/2018	Kim	G07D 11/50
					2020/0327763 A1 *	10/2020	Gordon	G07D 11/40

* cited by examiner

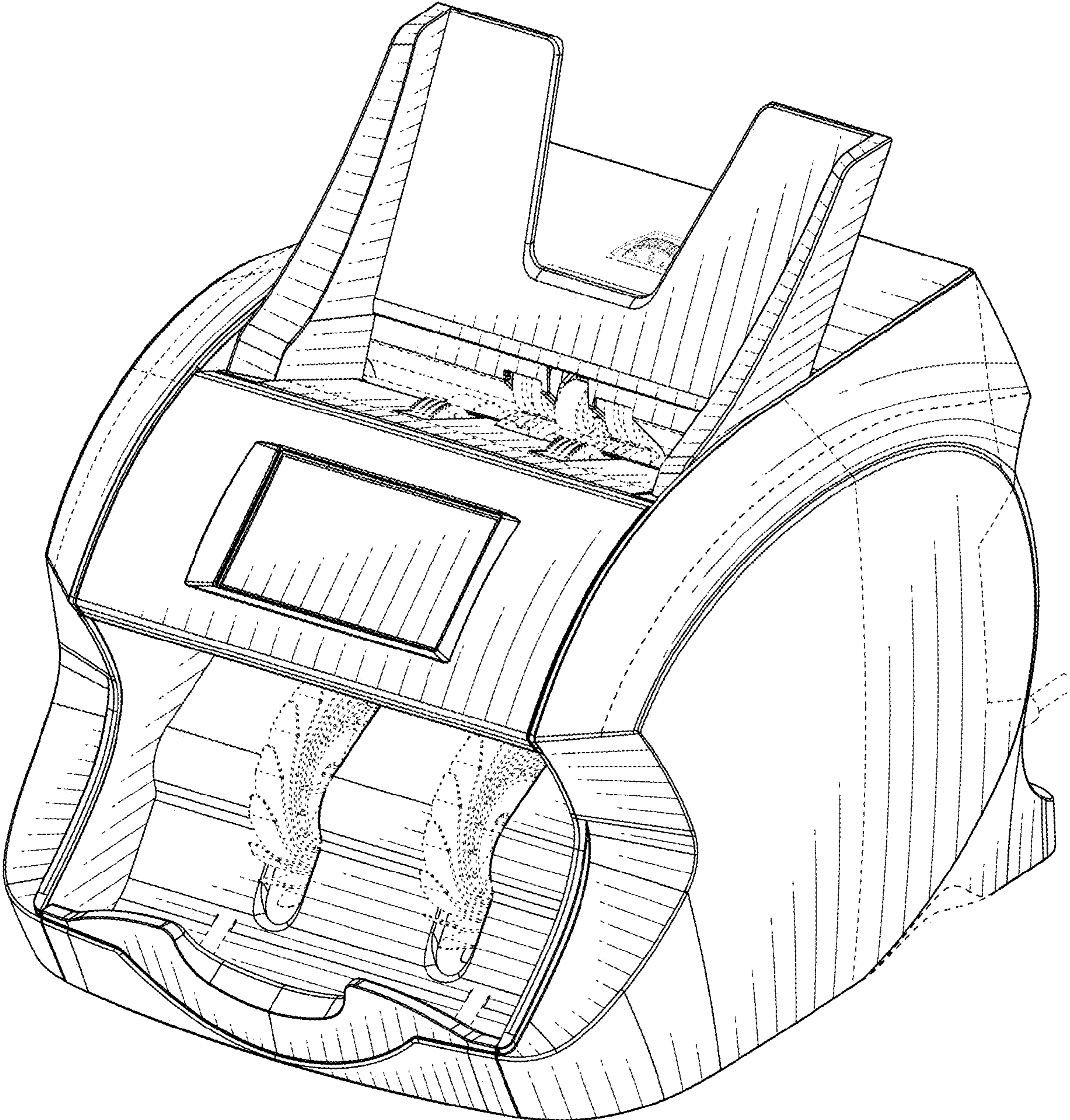


Fig. 1

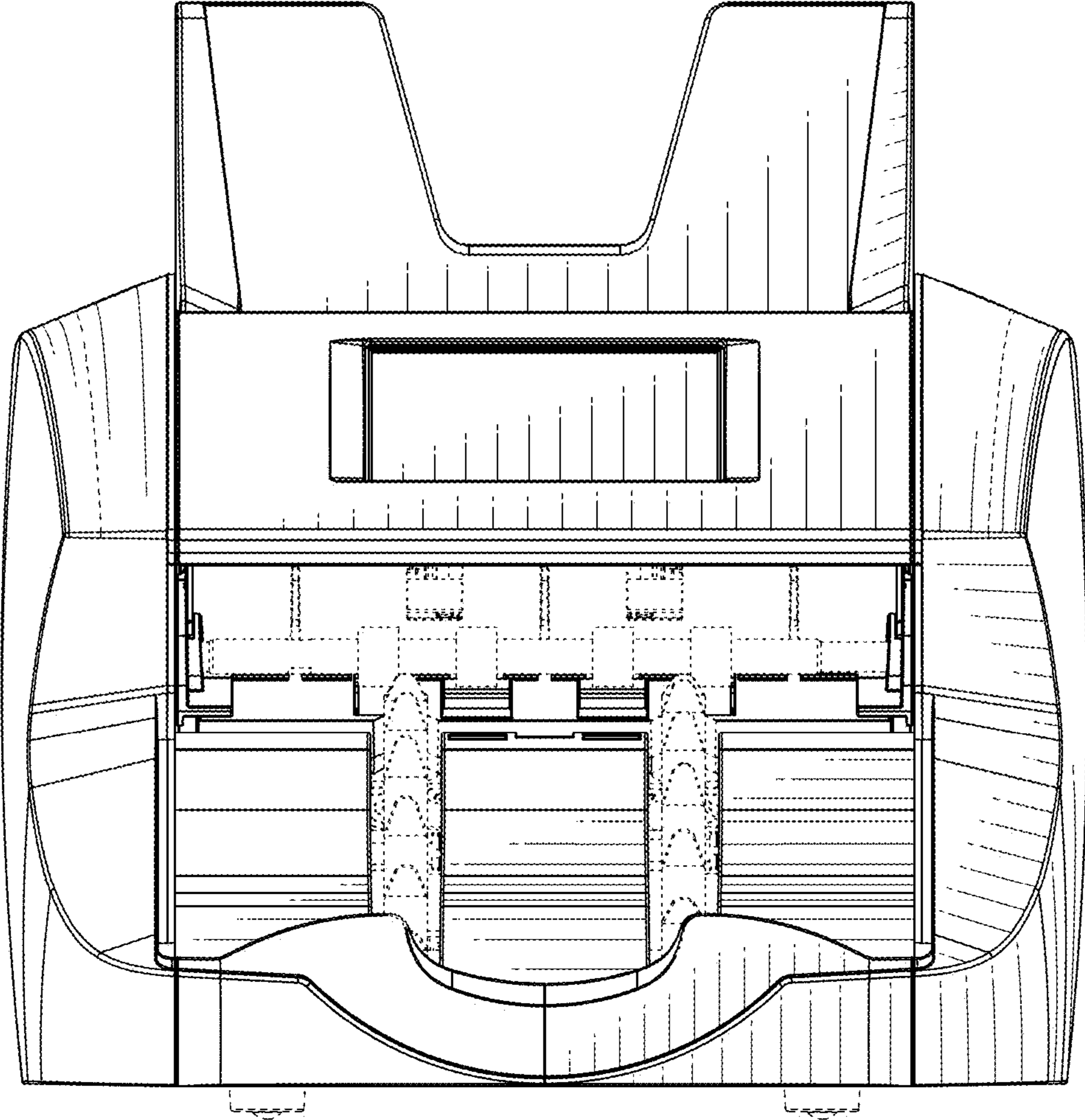


Fig. 2

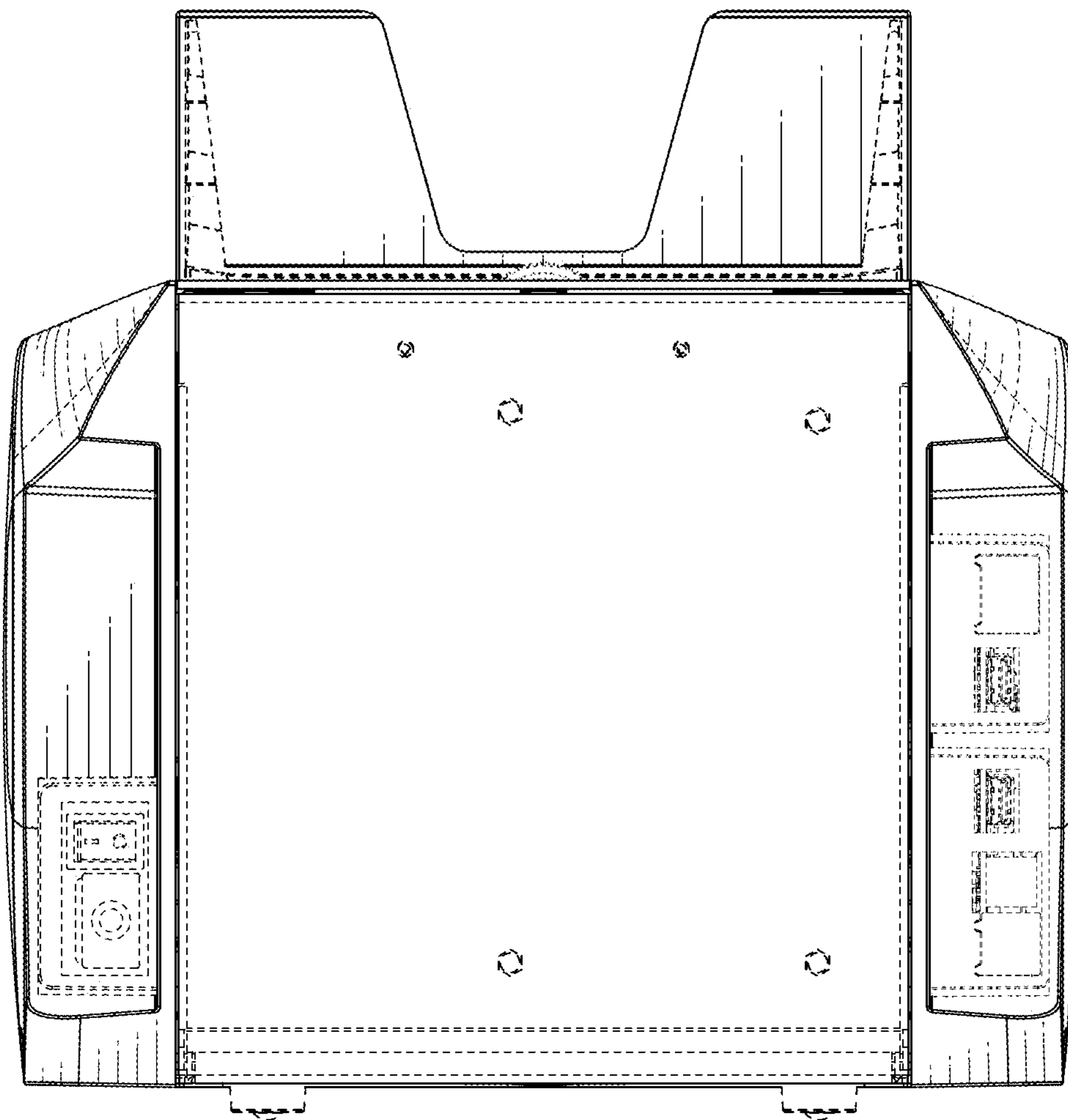


Fig. 3

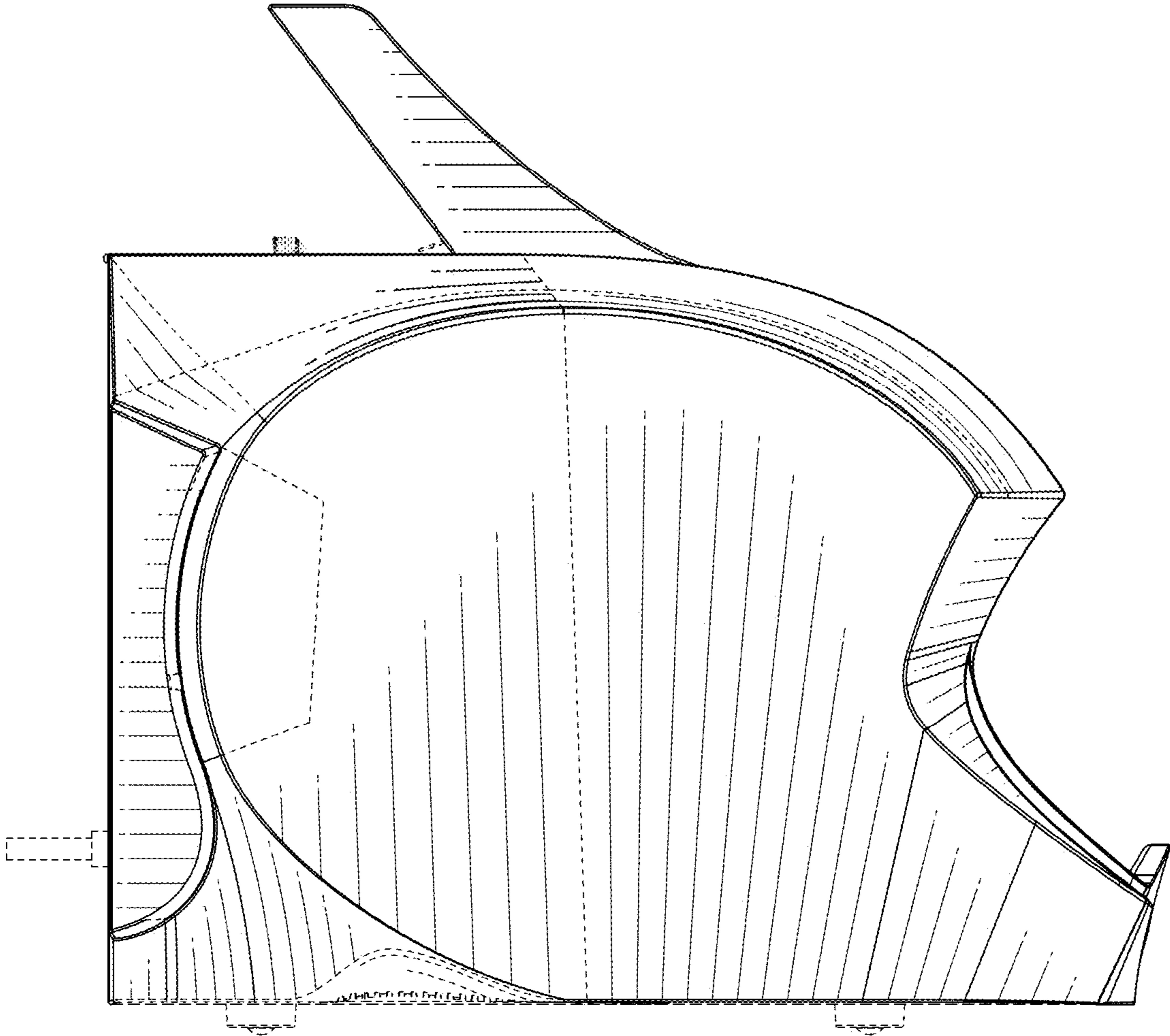


Fig. 4

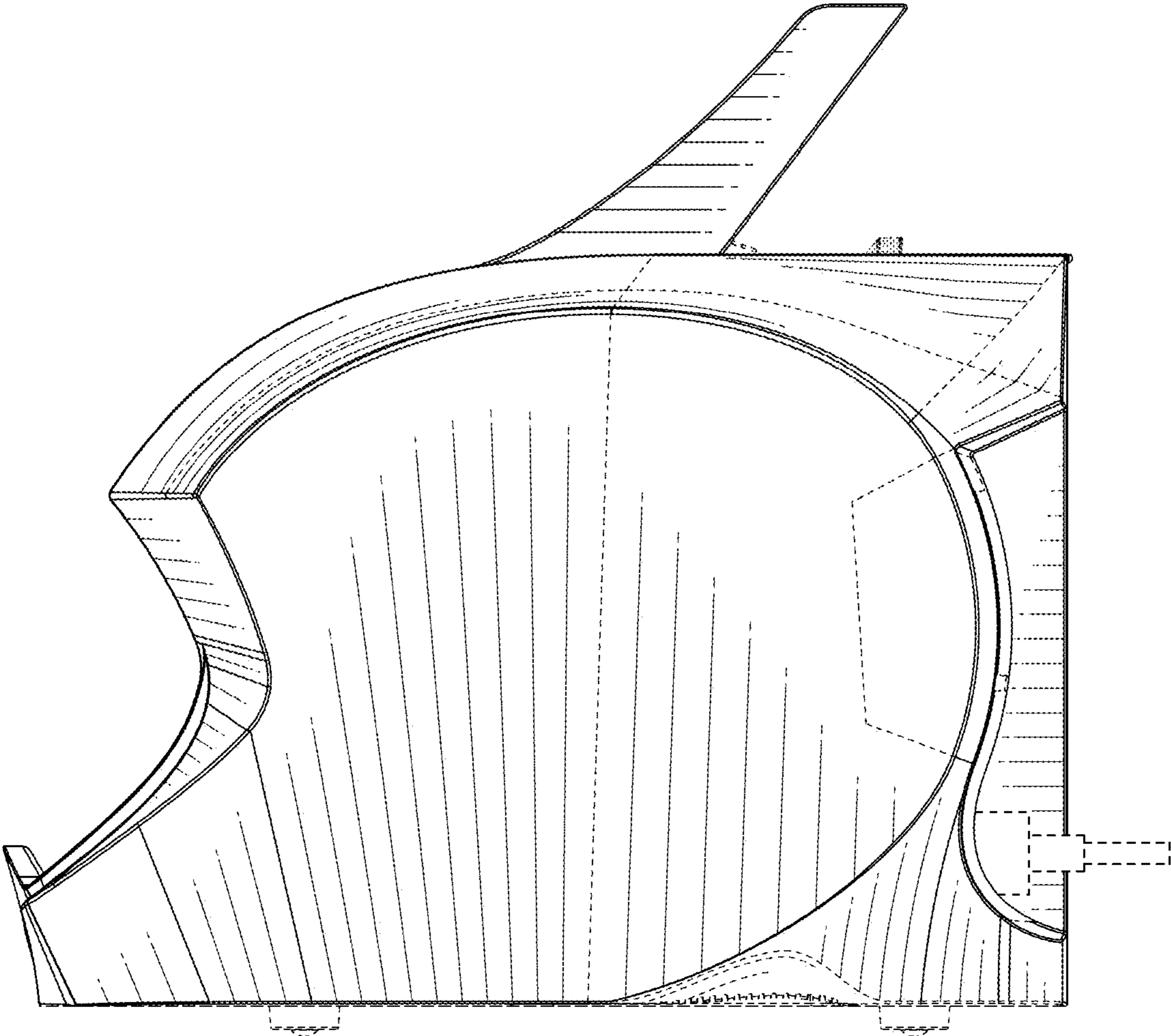


Fig. 5

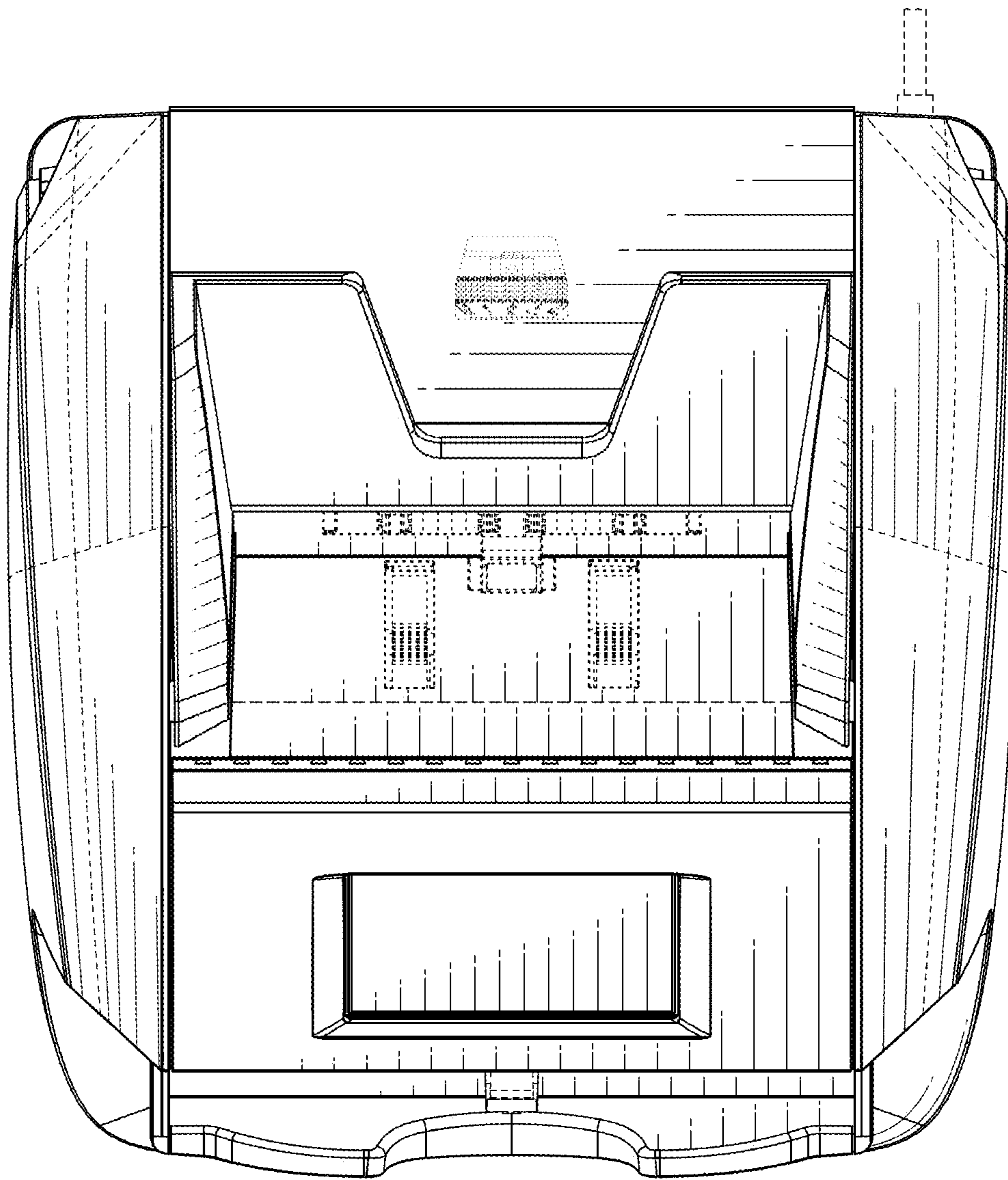


Fig. 6

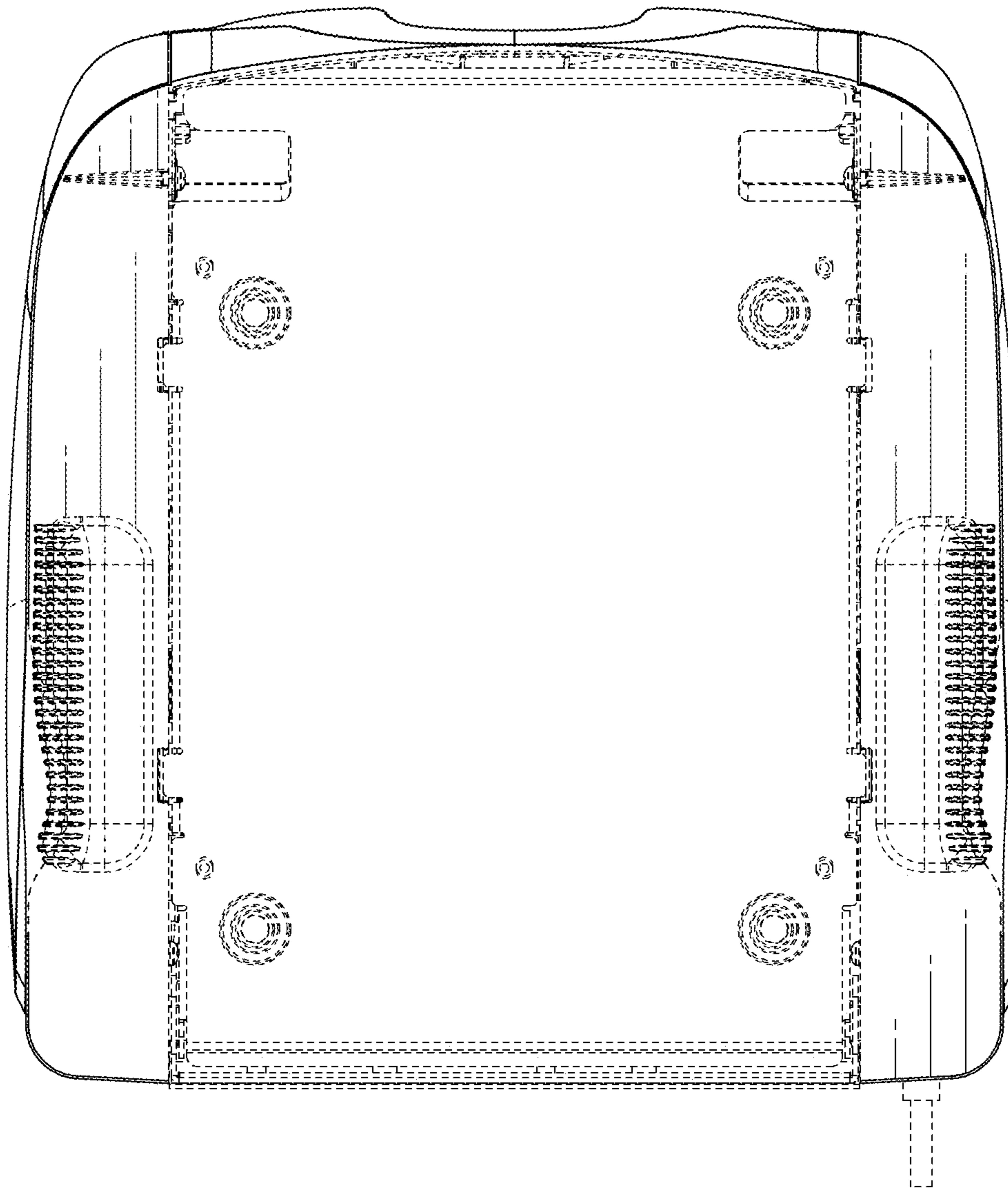


Fig. 7