



US00D931361S

(12) **United States Design Patent**
Lin

(10) **Patent No.:** **US D931,361 S**

(45) **Date of Patent:** **** Sep. 21, 2021**

(54) **GLASSES WITH SNAP-ON LENSES**

(71) Applicant: **Kunsheng Lin**, Guangdong (CN)

(72) Inventor: **Kunsheng Lin**, Guangdong (CN)

(**) Term: **15 Years**

(21) Appl. No.: **29/685,574**

(22) Filed: **Mar. 29, 2019**

(51) **LOC (13) Cl.** **16-06**

(52) **U.S. Cl.**
USPC **D16/315; D16/325; D16/330; D16/101**

(58) **Field of Classification Search**
USPC **D16/100-101, 300-342**
CPC **G02C 9/00; G02C 9/04**
See application file for complete search history.

(56) **References Cited**

U.S. PATENT DOCUMENTS

D301,250 S *	5/1989	Stephens	D16/316
D401,606 S *	11/1998	Kasprzyk	D16/300
D426,567 S *	6/2000	Gugler	D16/320
D428,432 S *	7/2000	LeBrun	D16/327
7,033,018 B2 *	4/2006	Ifergan	G02C 9/00 351/47
7,144,108 B2 *	12/2006	Lee	G02C 9/04 351/47
D546,368 S *	7/2007	Park	D16/328
7,360,889 B2 *	4/2008	Yong	G02C 9/04 351/124
D749,668 S *	2/2016	Moss	D16/330
D765,161 S *	8/2016	Sallard	D16/315
D772,329 S *	11/2016	Hsu	D16/320
D888,818 S *	6/2020	Pellicer Ramo	D16/322
D892,916 S *	8/2020	Renon	D16/323
2006/0203186 A1 *	9/2006	Ifergan	G02C 9/00 351/57

2007/0013863 A1 *	1/2007	Zelazowski	G02C 9/00 351/47
2015/0077695 A1 *	3/2015	Rattelade	G02C 9/00 351/47
2015/0116651 A1 *	4/2015	Darcy	G02C 11/02 351/52

OTHER PUBLICATIONS

Rectangle Magnetic Snap-On Set 5860514, date posted unknown, site visited Nov. 30, 2020, <<https://www.zennioptical.com/p/mens-stainless-steel-rectangle-eyeglass-frames/58605?skuId=5860514>>.*

* cited by examiner

Primary Examiner — Lilyana Bekic

Assistant Examiner — Sharon S Oum

(74) *Attorney, Agent, or Firm* — Justin Lampel

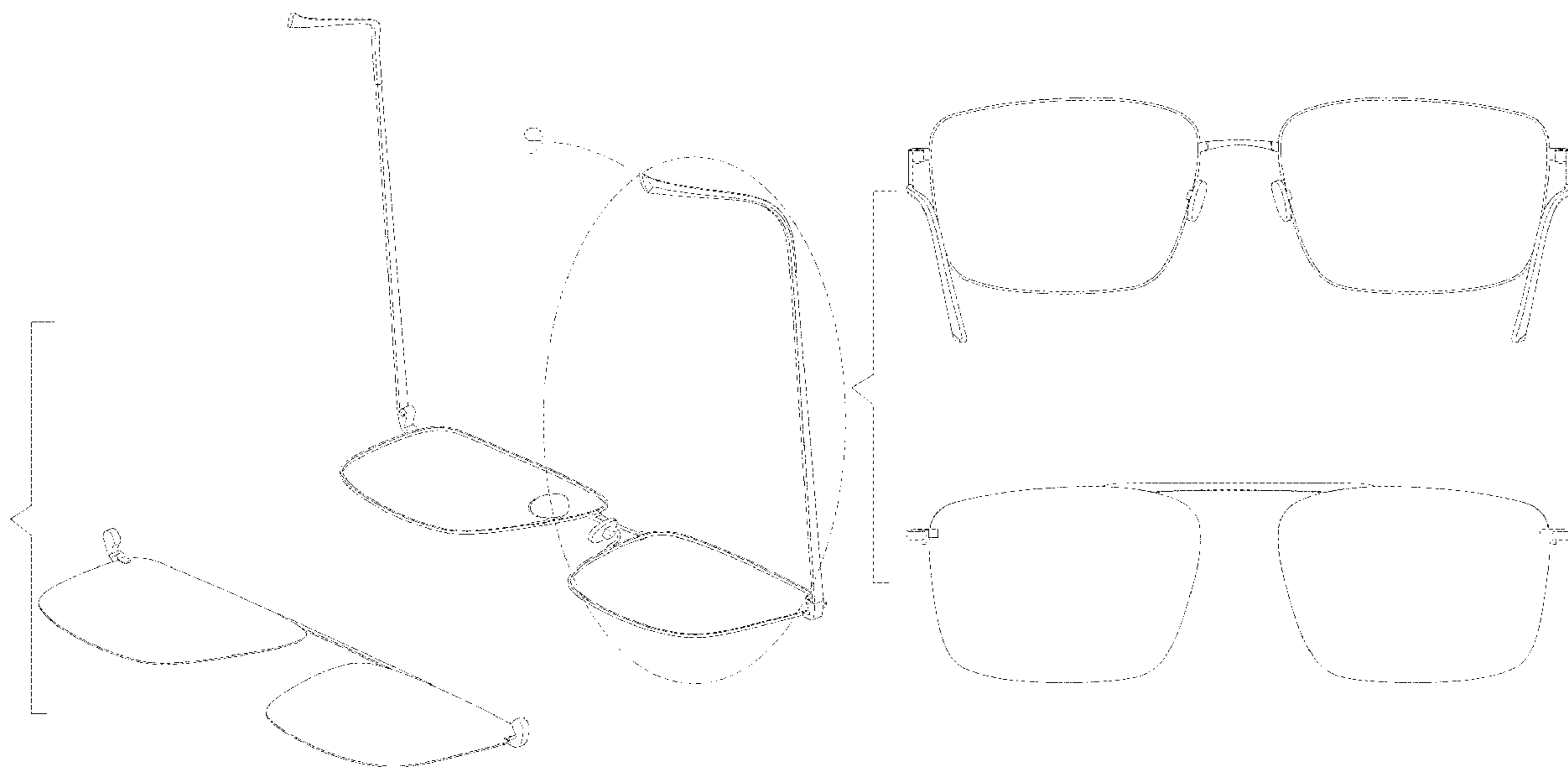
(57) **CLAIM**

The ornamental design for the glasses with snap-on lenses, as shown and described.

DESCRIPTION

FIG. 1 is a perspective view of the glasses with snap-on lenses showing my new design;
FIG. 2 is a perspective view of the glasses with snap-on lenses showing my new design in an attached position;
FIG. 3 is a top plan view of FIG. 1;
FIG. 4 is a rear elevational view thereof;
FIG. 5 is a bottom plan view thereof;
FIG. 6 is a right side view thereof;
FIG. 7 is a front elevational view thereof;
FIG. 8 is a left side view thereof; and,
FIG. 9 is an enlarged detail view of the encircled region of FIG. 1.

1 Claim, 9 Drawing Sheets



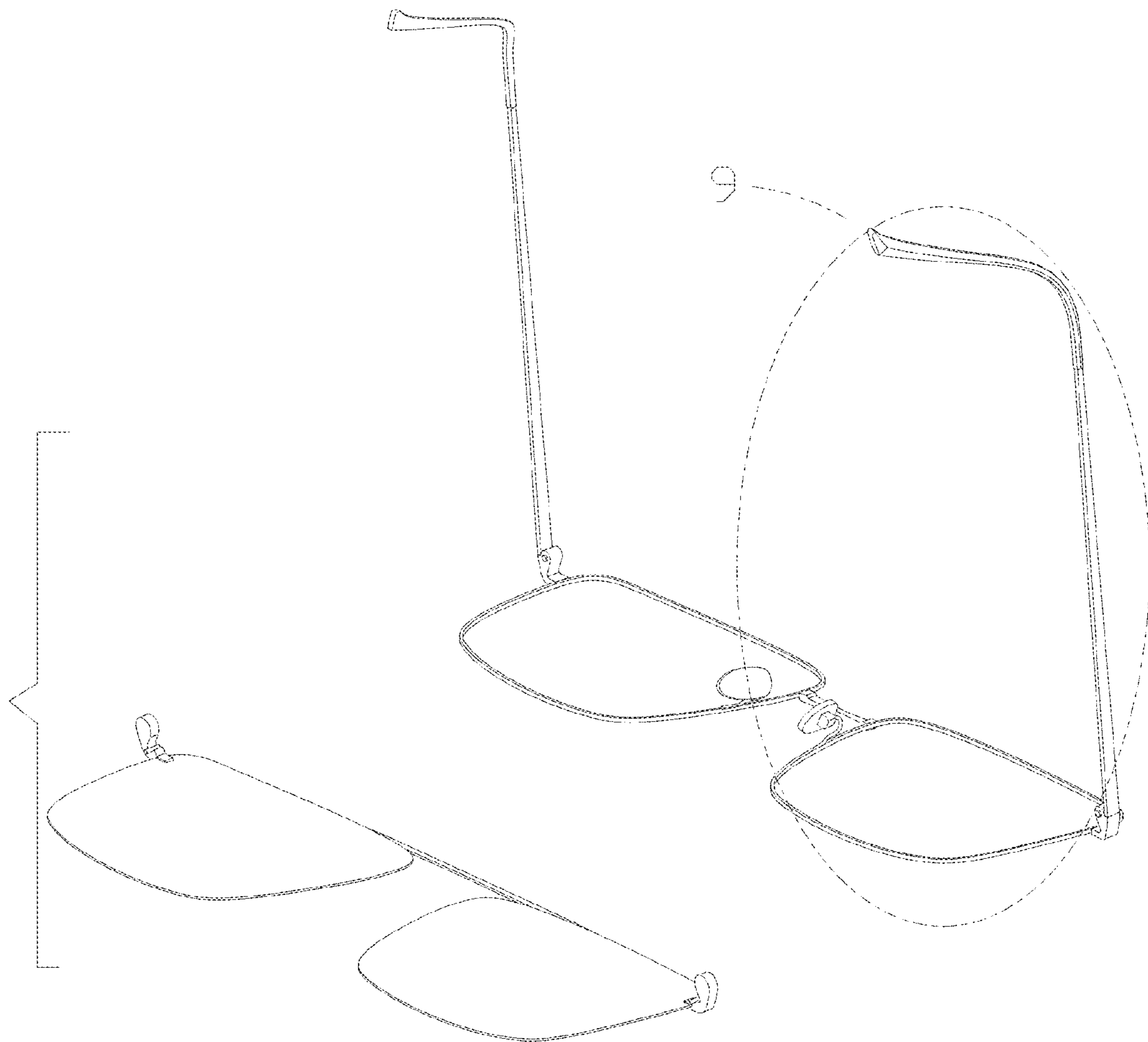


FIG.1

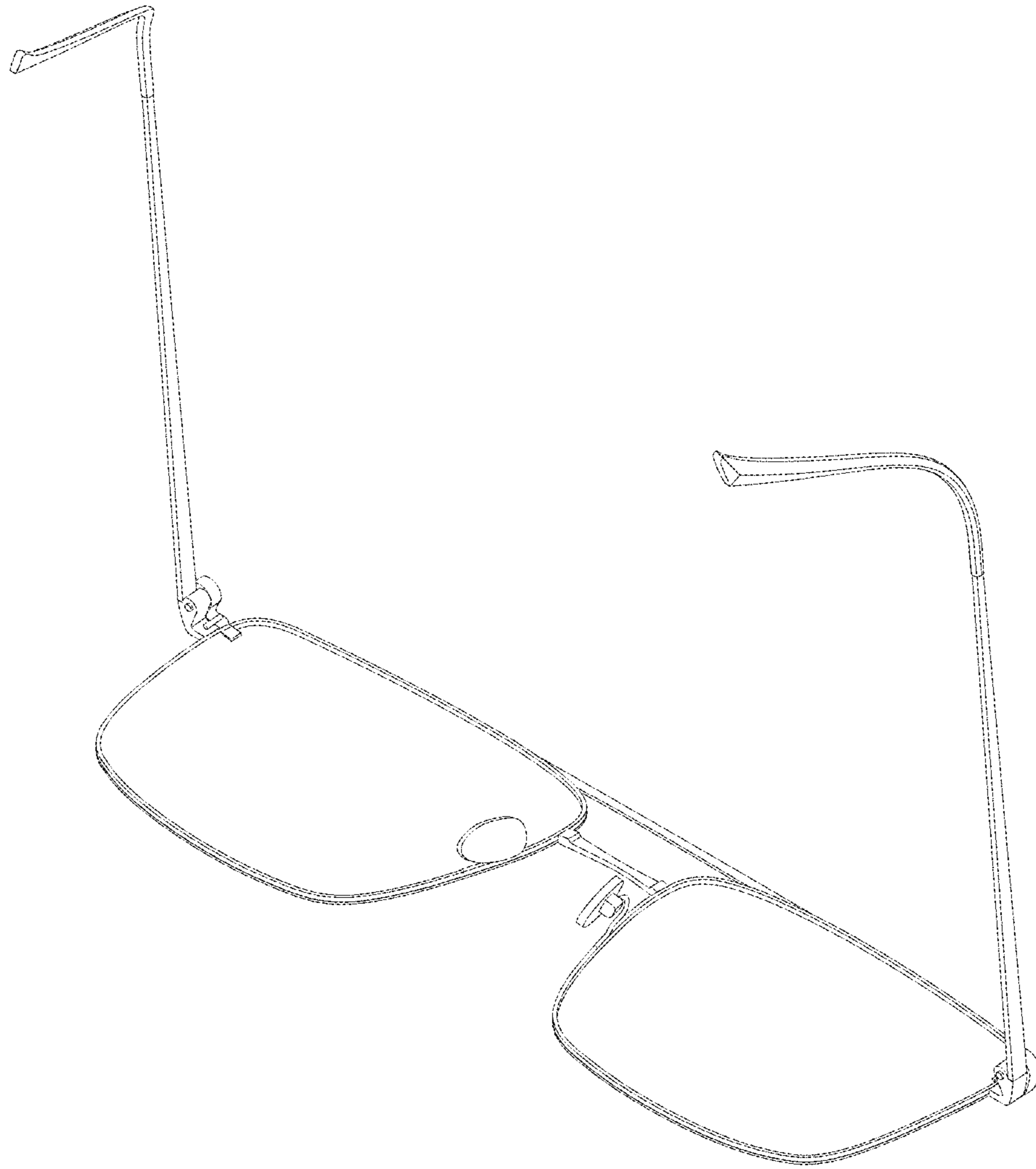


FIG. 2

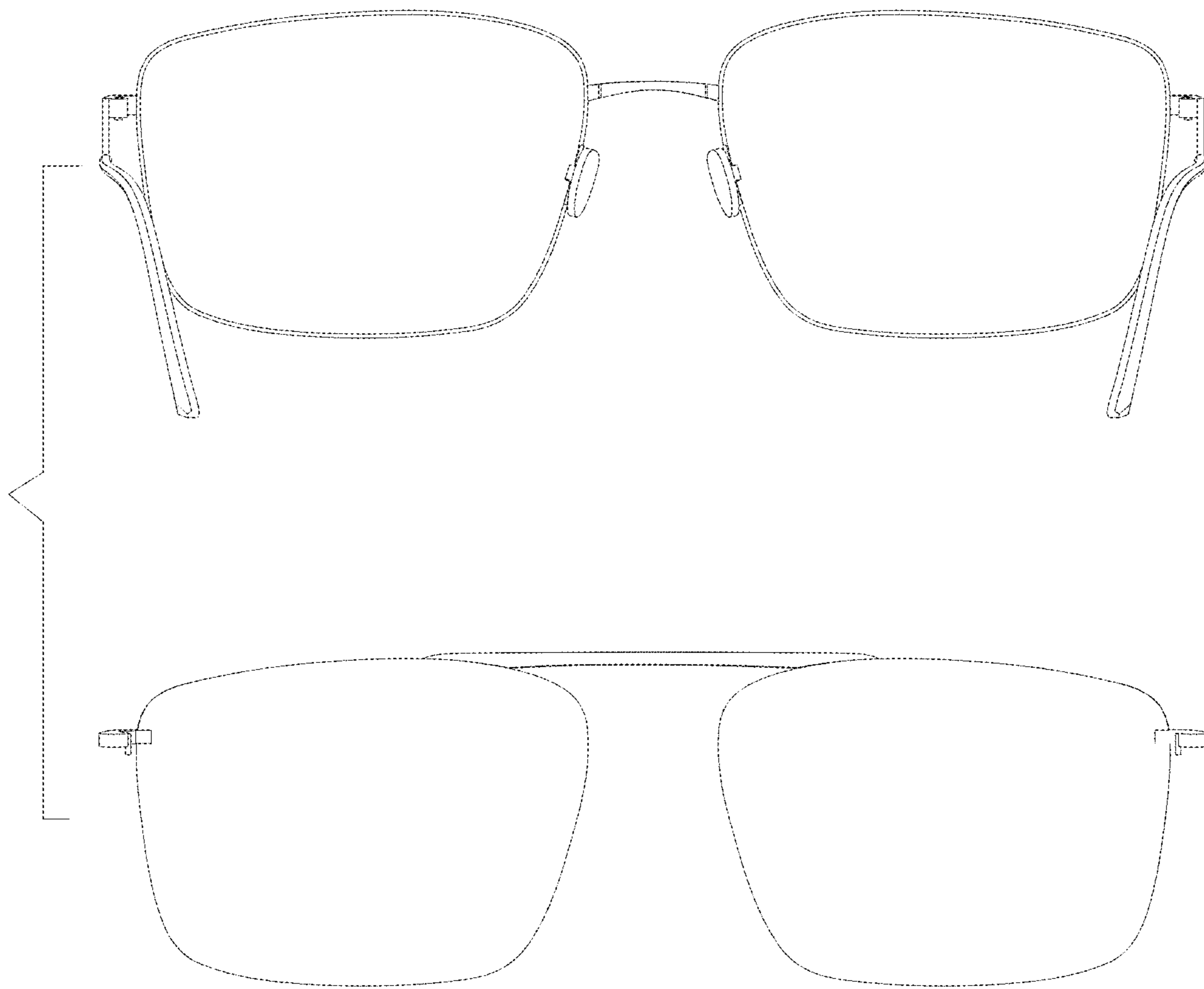


FIG. 3

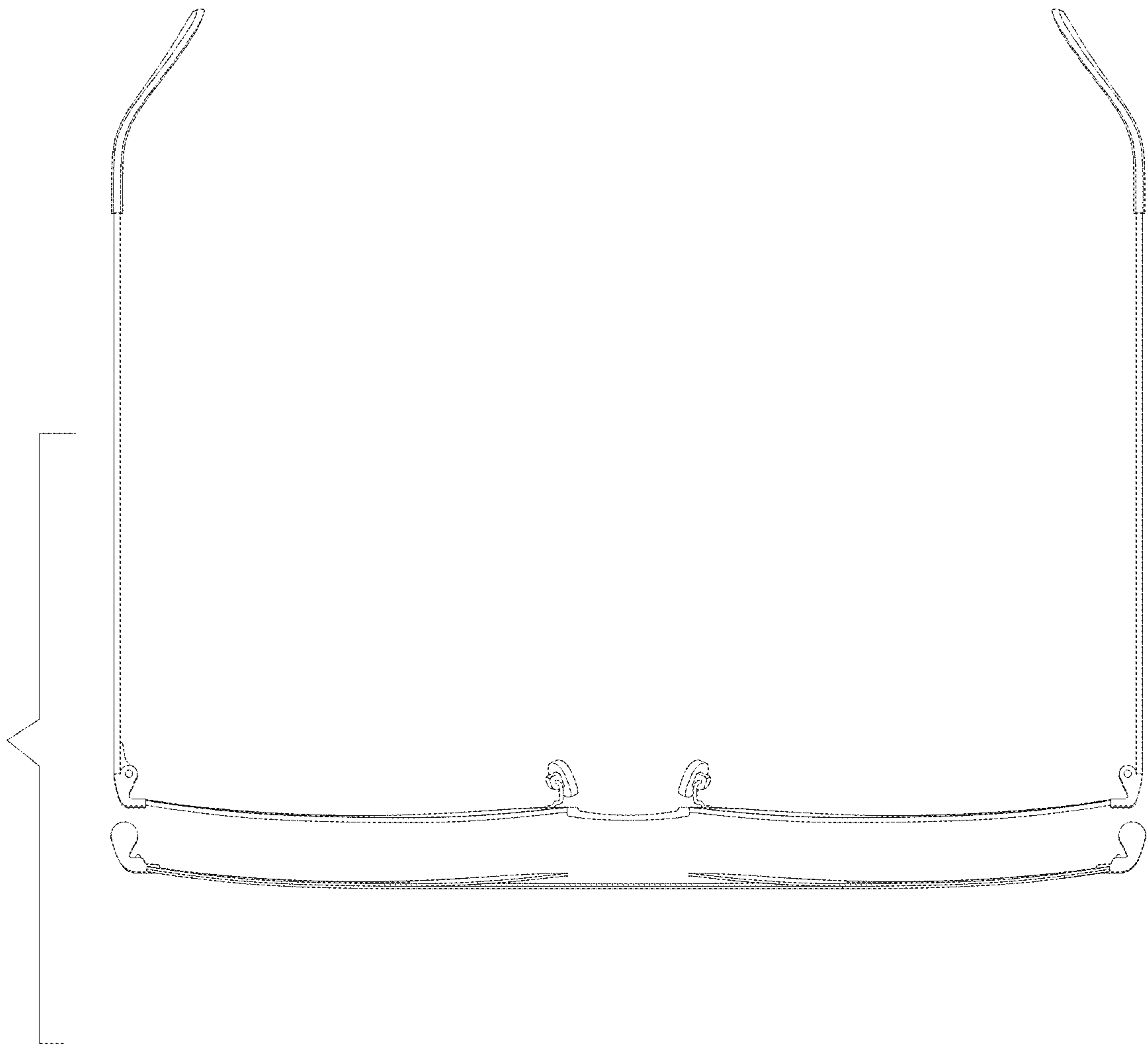


FIG.4

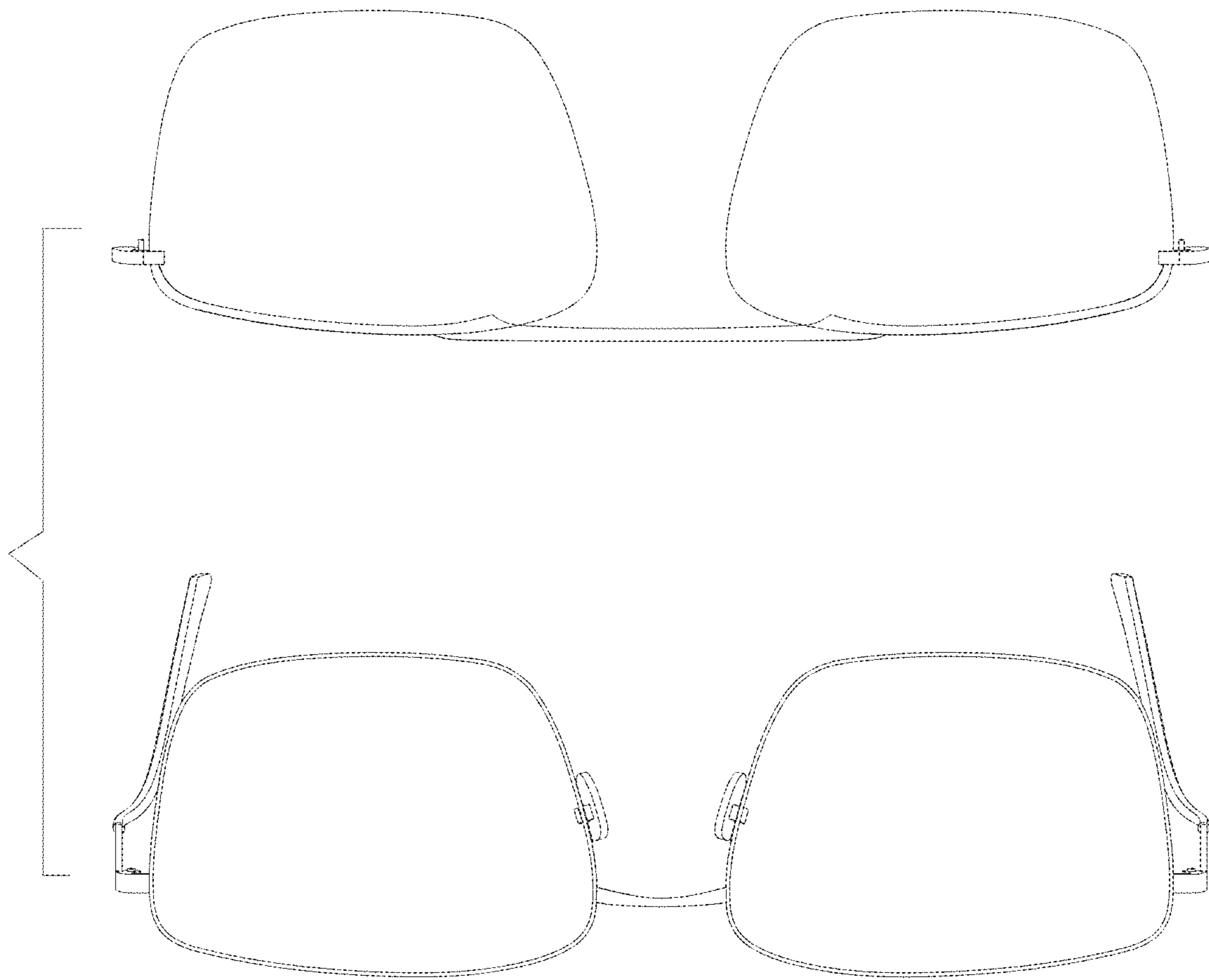


FIG. 5

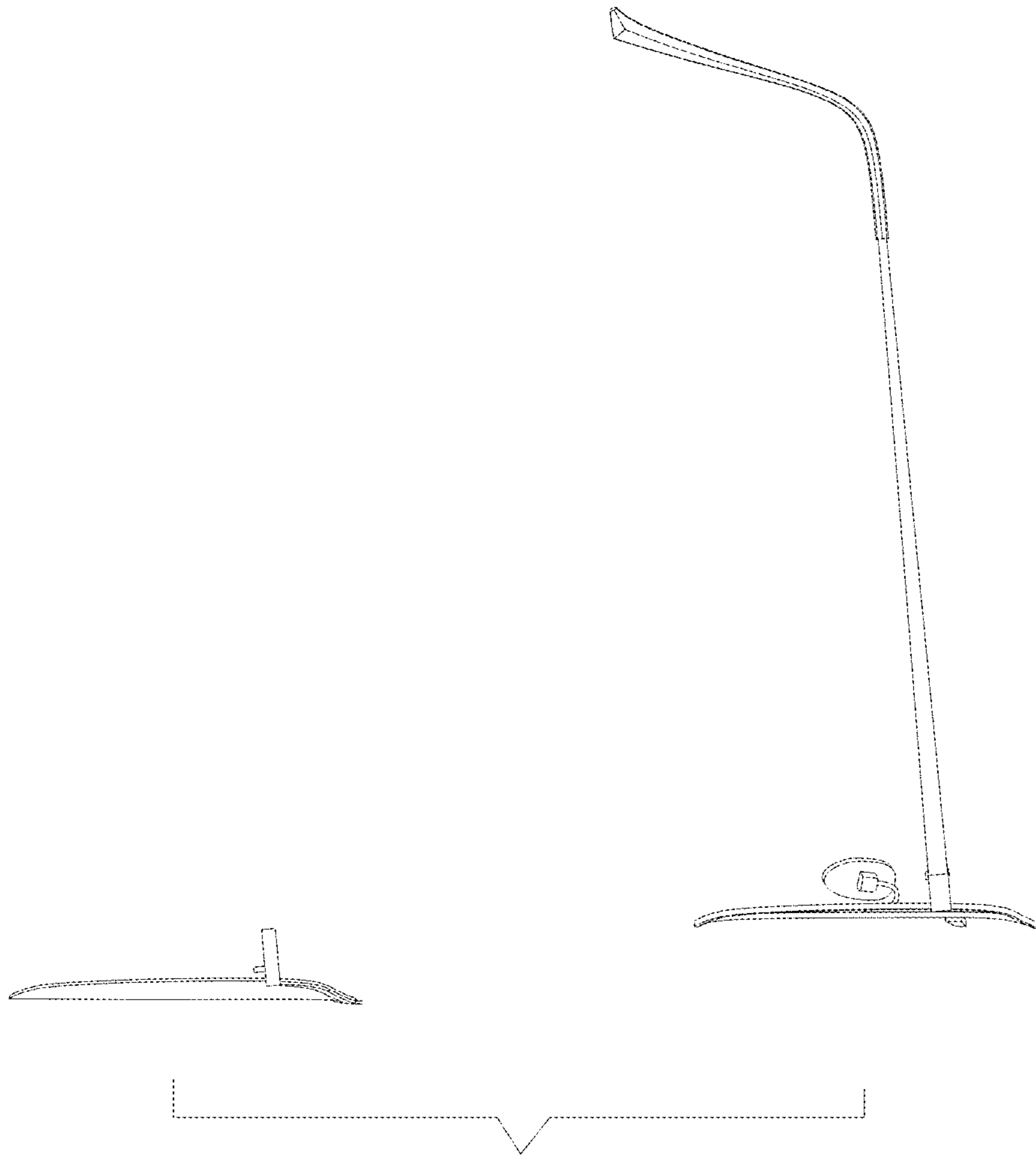


FIG.6

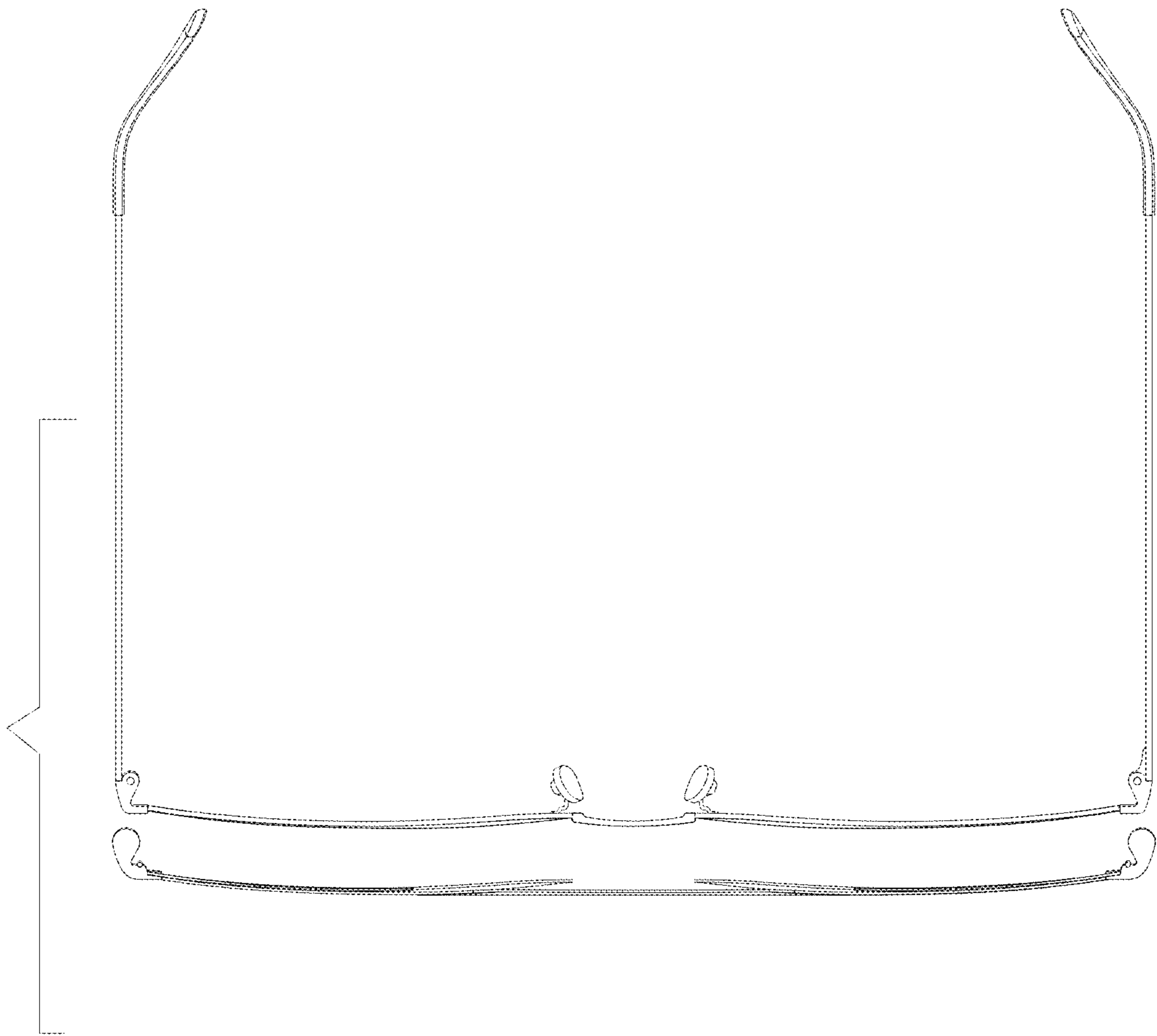


FIG. 7

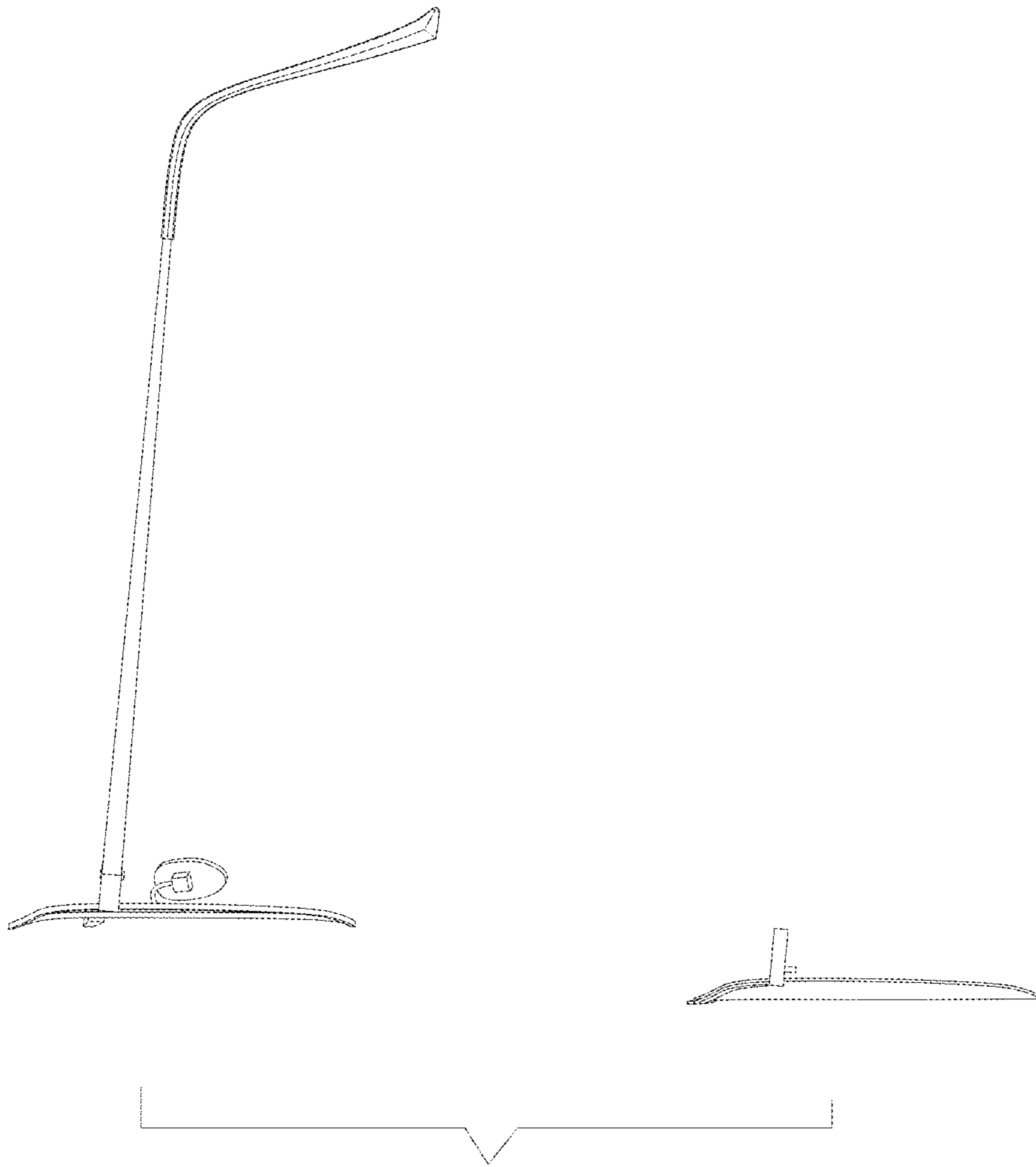


FIG. 8

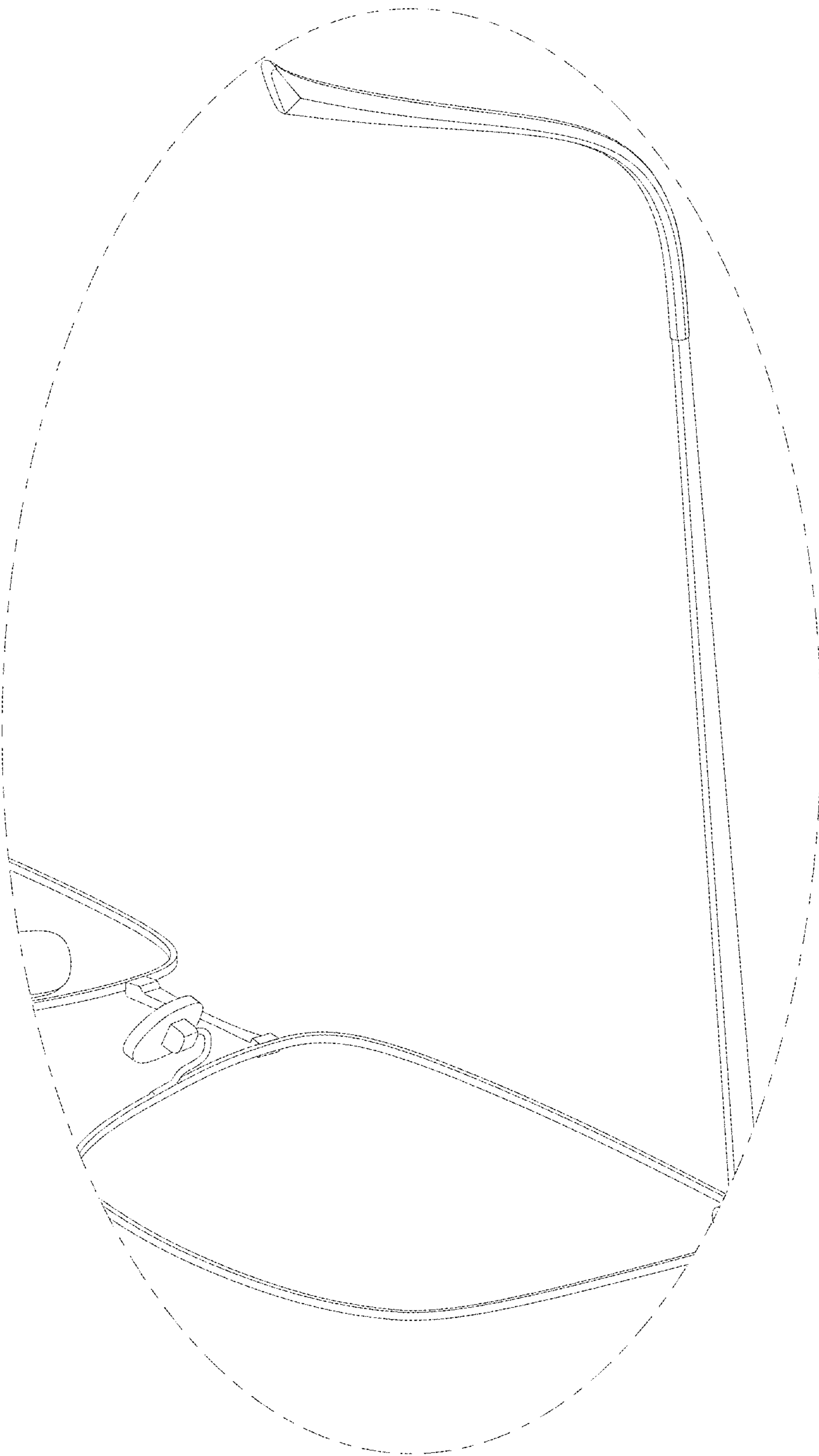


FIG. 9