



US00D931360S

(12) **United States Design Patent**  
**Huang**

(10) **Patent No.:** **US D931,360 S**

(45) **Date of Patent:** **\*\* Sep. 21, 2021**

(54) **WEBCAM COVER**

(71) Applicant: **Shenzhen Cloudvalley Maker Technology Co., Ltd.**, Guangdong (CN)

(72) Inventor: **Zizhao Huang**, Guangdong (CN)

(73) Assignee: **Shenzhen Cloudvalley Maker Technology Co., Ltd.**, Guangdong (CN)

(\*\*) Term: **15 Years**

(21) Appl. No.: **29/752,241**

(22) Filed: **Sep. 25, 2020**

(51) **LOC (13) Cl.** ..... **16-05**

(52) **U.S. Cl.**  
USPC ..... **D16/237**

(58) **Field of Classification Search**  
USPC ..... D16/202, 208, 219, 237-241, 250;  
D14/229, 238, 251, 253, 447, 451, 457;  
D8/363, 373, 382-383, 394-396  
CPC ..... G03B 17/02; G03B 19/04; G03B 17/56;  
G03B 17/04; G03B 15/03; G03B 17/14;  
H04N 5/2251; H04N 5/2252; H04N  
5/2253; H04N 5/2254; G02B 7/02; G02B  
7/04; G02B 7/14

See application file for complete search history.

(56) **References Cited**

**U.S. PATENT DOCUMENTS**

- D669,112 S \* 10/2012 Gustaveson ..... G03B 11/041  
D16/237
- D721,396 S \* 1/2015 Gustaveson, II ..... D16/237
- D782,562 S \* 3/2017 Gustaveson, II ..... D16/237
- D808,457 S 1/2018 Gustaveson, II
- D810,089 S \* 2/2018 Kuo ..... D14/440
- D810,180 S \* 2/2018 Gustaveson, II .... G03B 11/041  
D16/237

- D816,149 S 4/2018 Dalton
- D836,154 S \* 12/2018 Gustaveson, II ..... D16/237
- D839,946 S \* 2/2019 De Vries ..... D16/237
- D868,136 S \* 11/2019 Tadmor ..... D16/237
- D873,833 S \* 1/2020 Leimer ..... D14/440
- D898,806 S \* 10/2020 De Vries ..... D16/237
- D898,807 S \* 10/2020 Roberts ..... D16/237
- 2017/0329206 A1 \* 11/2017 Gustaveson, II ... H04N 5/2257
- 2018/0059510 A1 \* 3/2018 Gustaveson, II ... H04N 5/2257

\* cited by examiner

*Primary Examiner* — Ramzi Almatrahi

(74) *Attorney, Agent, or Firm* — ScienBiziP, P.C.

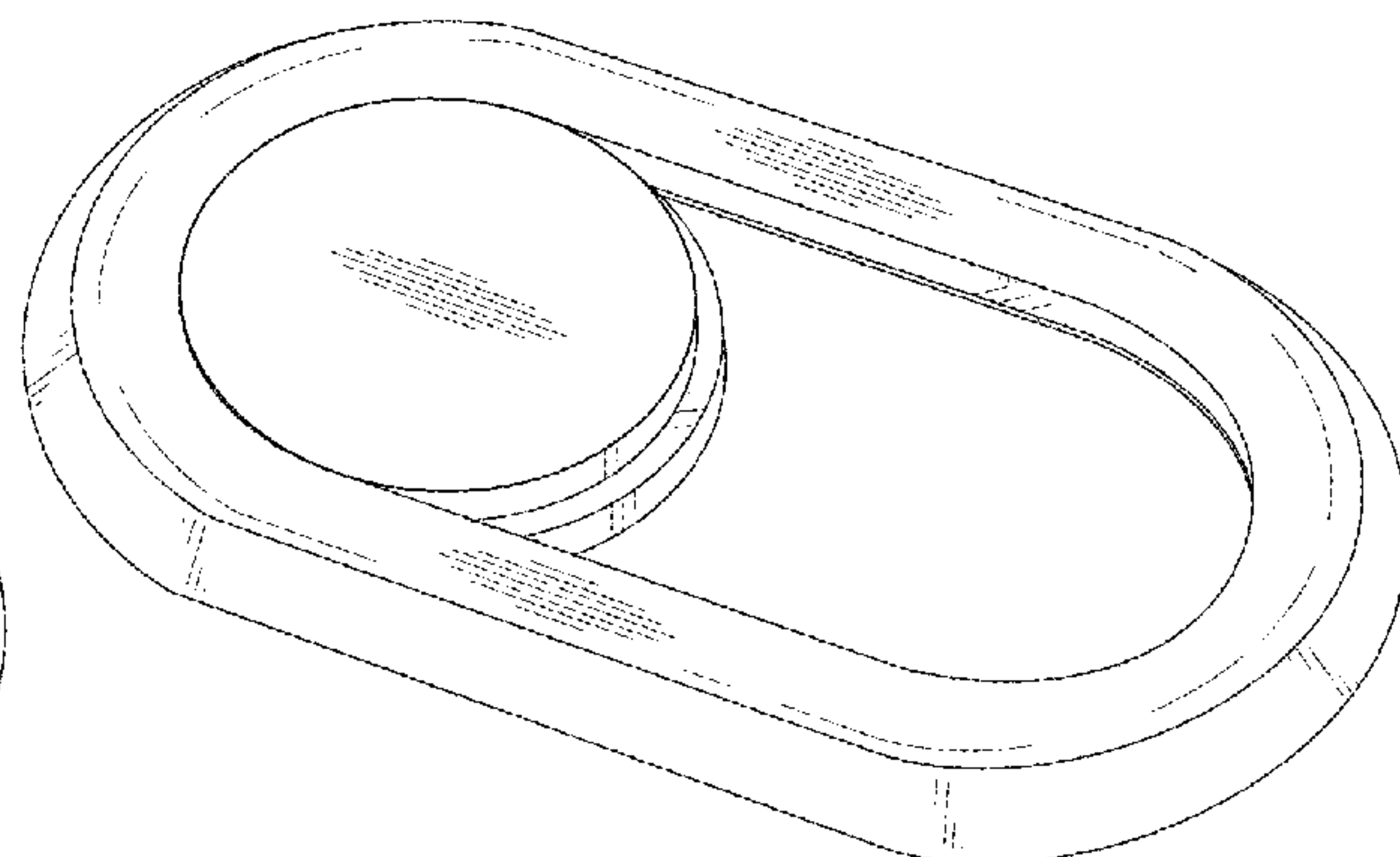
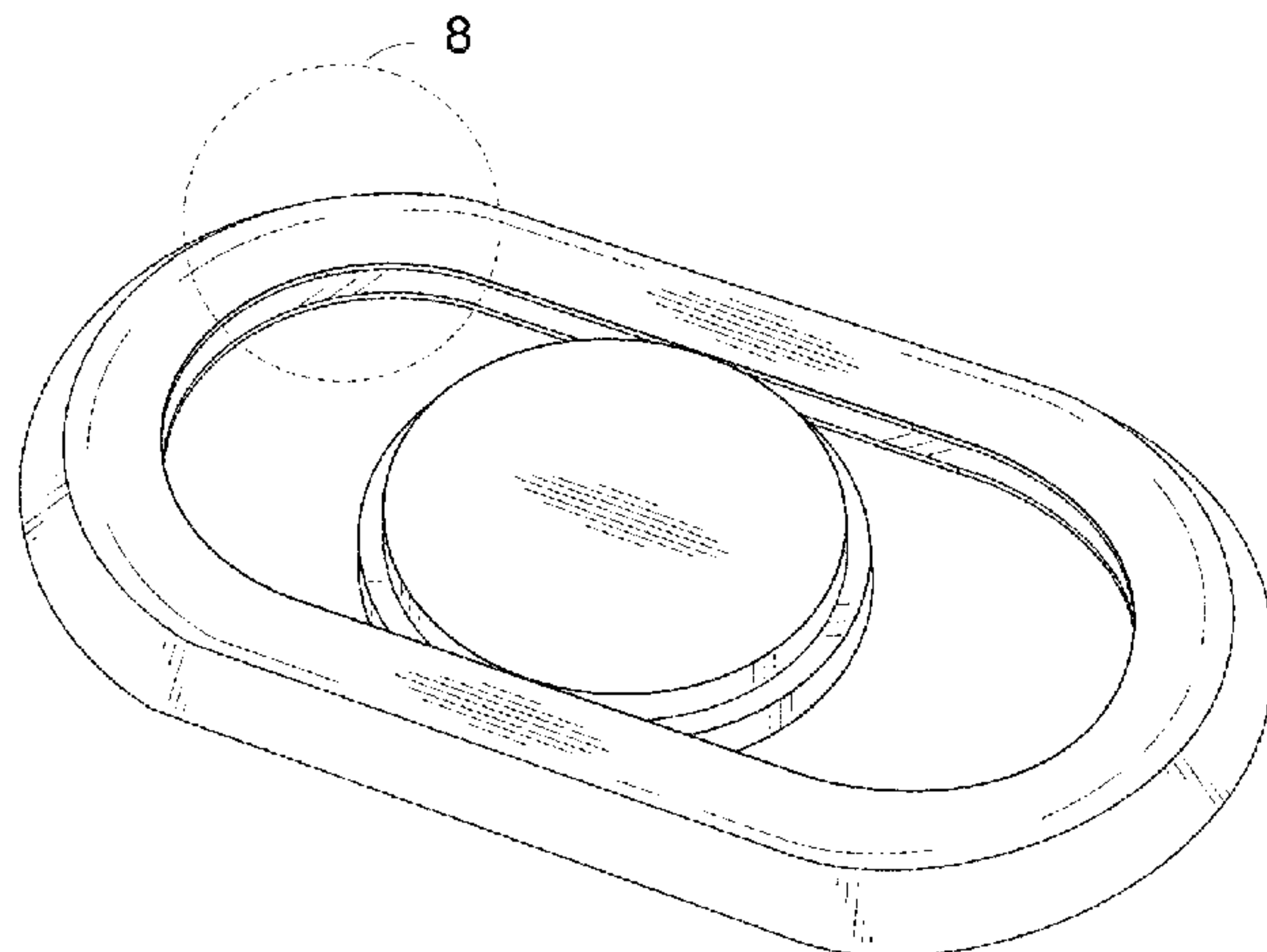
(57) **CLAIM**

The ornamental design for a webcam cover, as shown and described.

**DESCRIPTION**

FIG. 1 is a front perspective view of a webcam cover, showing my new design;  
 FIG. 2 is a front elevation view thereof;  
 FIG. 3 is a rear elevation view thereof;  
 FIG. 4 is a left side elevation view thereof;  
 FIG. 5 is a right side elevation view thereof;  
 FIG. 6 is a top plan view thereof;  
 FIG. 7 is a bottom plan view thereof;  
 FIG. 8 is an enlarged view of portion 8 shown in FIG. 1;  
 FIG. 9 is a front perspective view of the webcam cover shown in an alternate configuration;  
 FIG. 10 is a front perspective view of the webcam cover shown in condition of use with a notebook disclosed in broken lines to illustrate an environment; and,  
 FIG. 11 is a front perspective view thereof, shown in an alternate configuration.  
 The broken lines showing a notebook in FIGS. 10-11 represent environmental structure and form no part of the claimed design. Additionally, the broken lines encircling an enlargement portion of the design form no part of the claimed design.

**1 Claim, 11 Drawing Sheets**



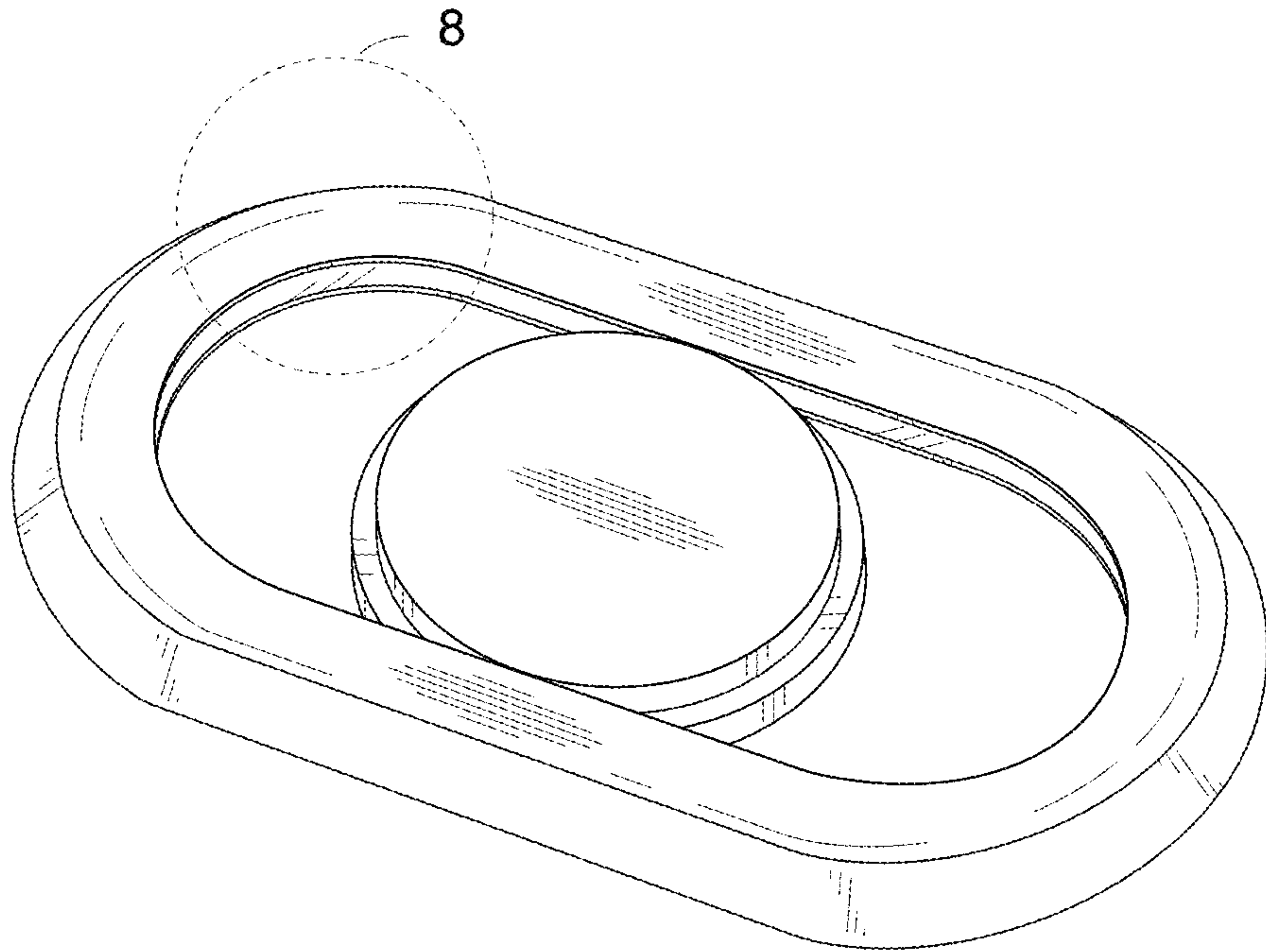


FIG.1

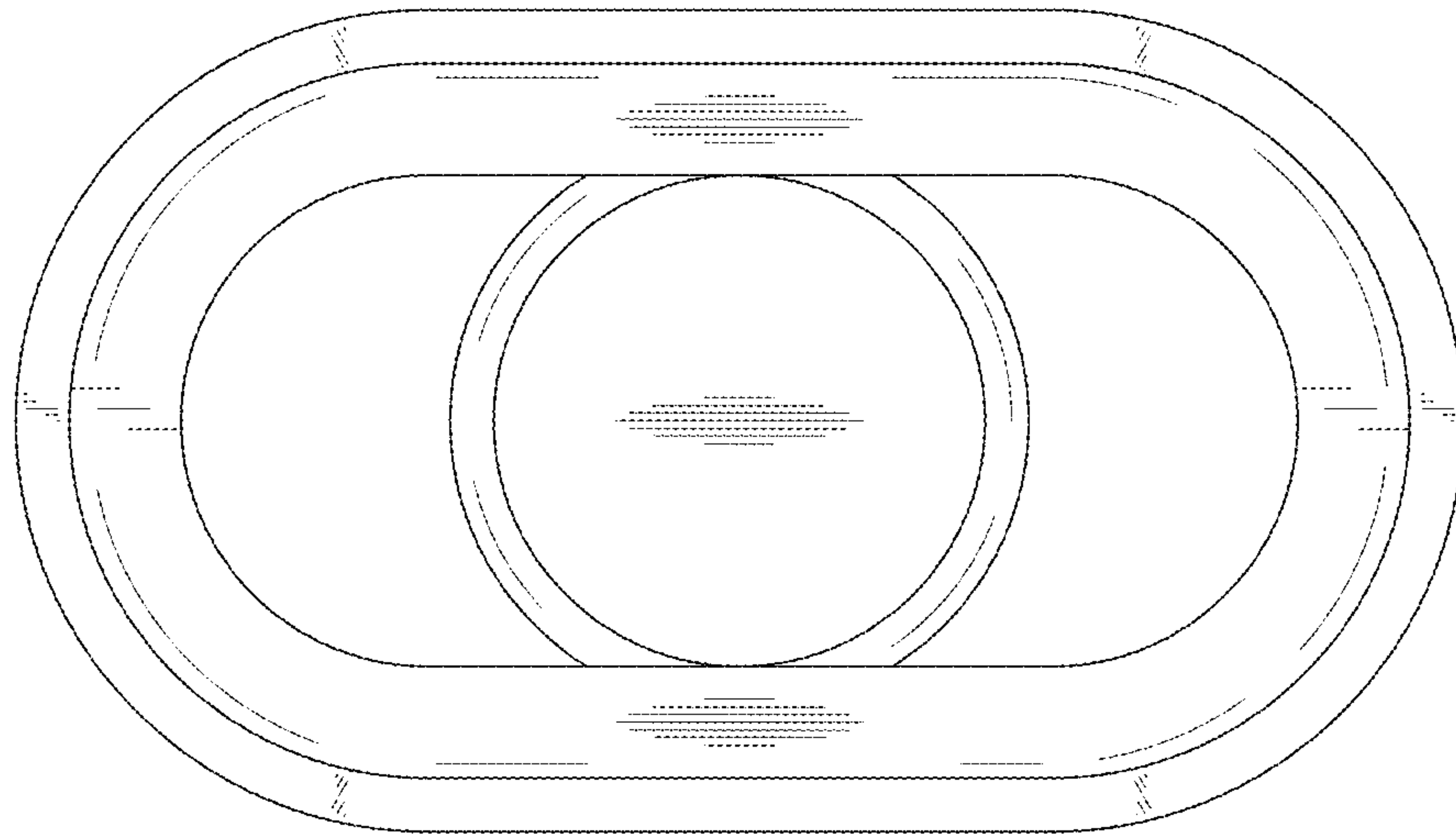


FIG.2

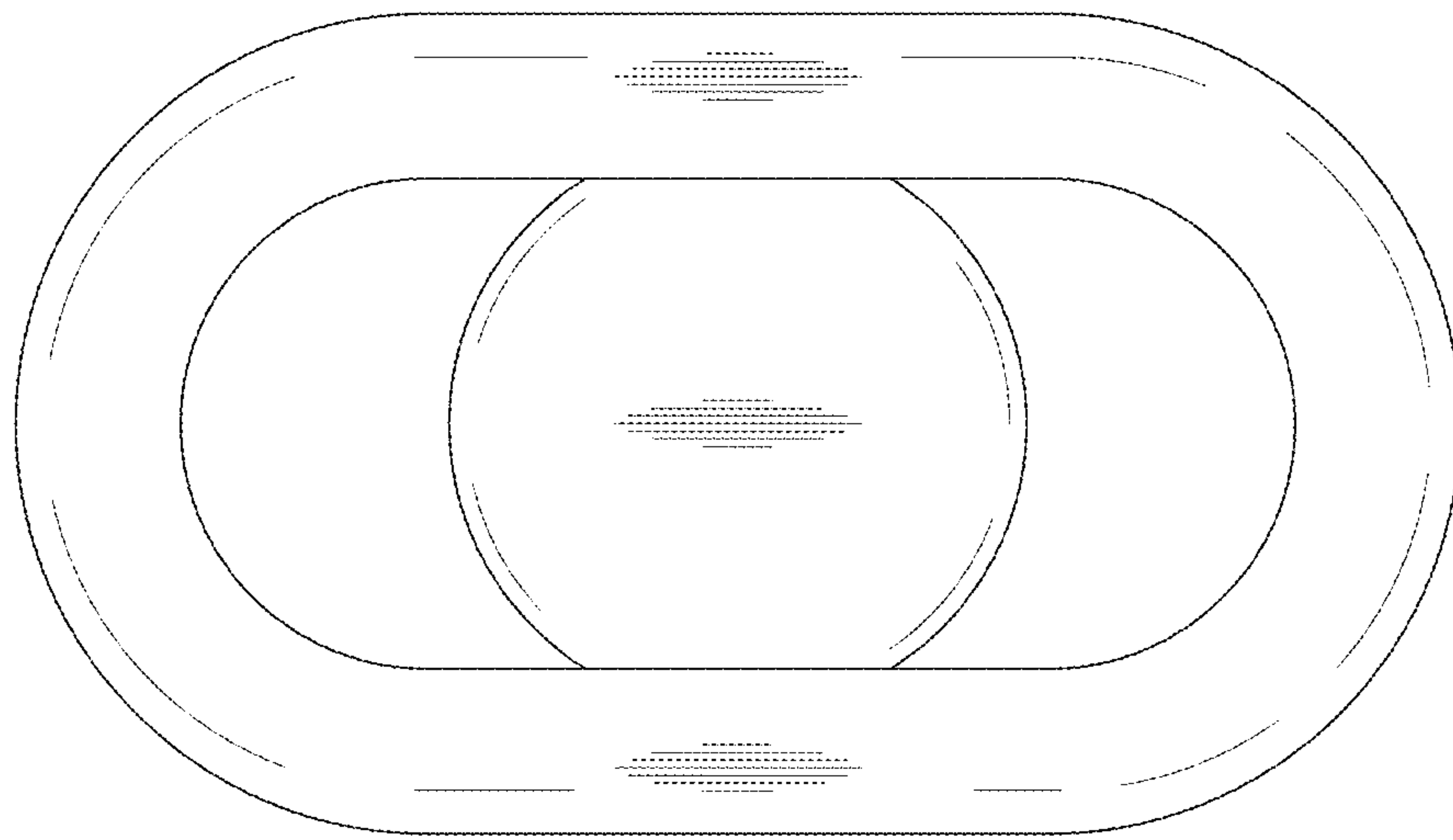


FIG.3

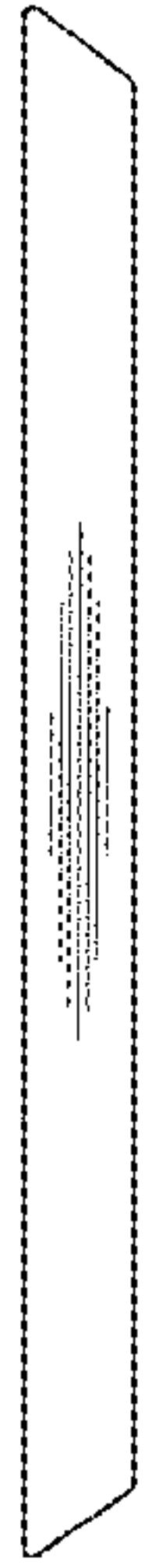


FIG.4

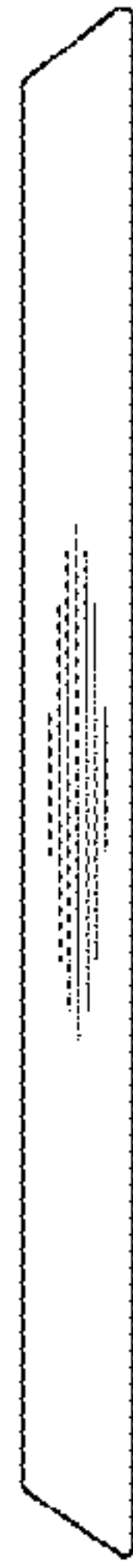


FIG.5

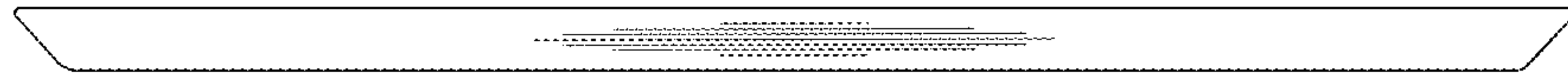


FIG.6



FIG.7



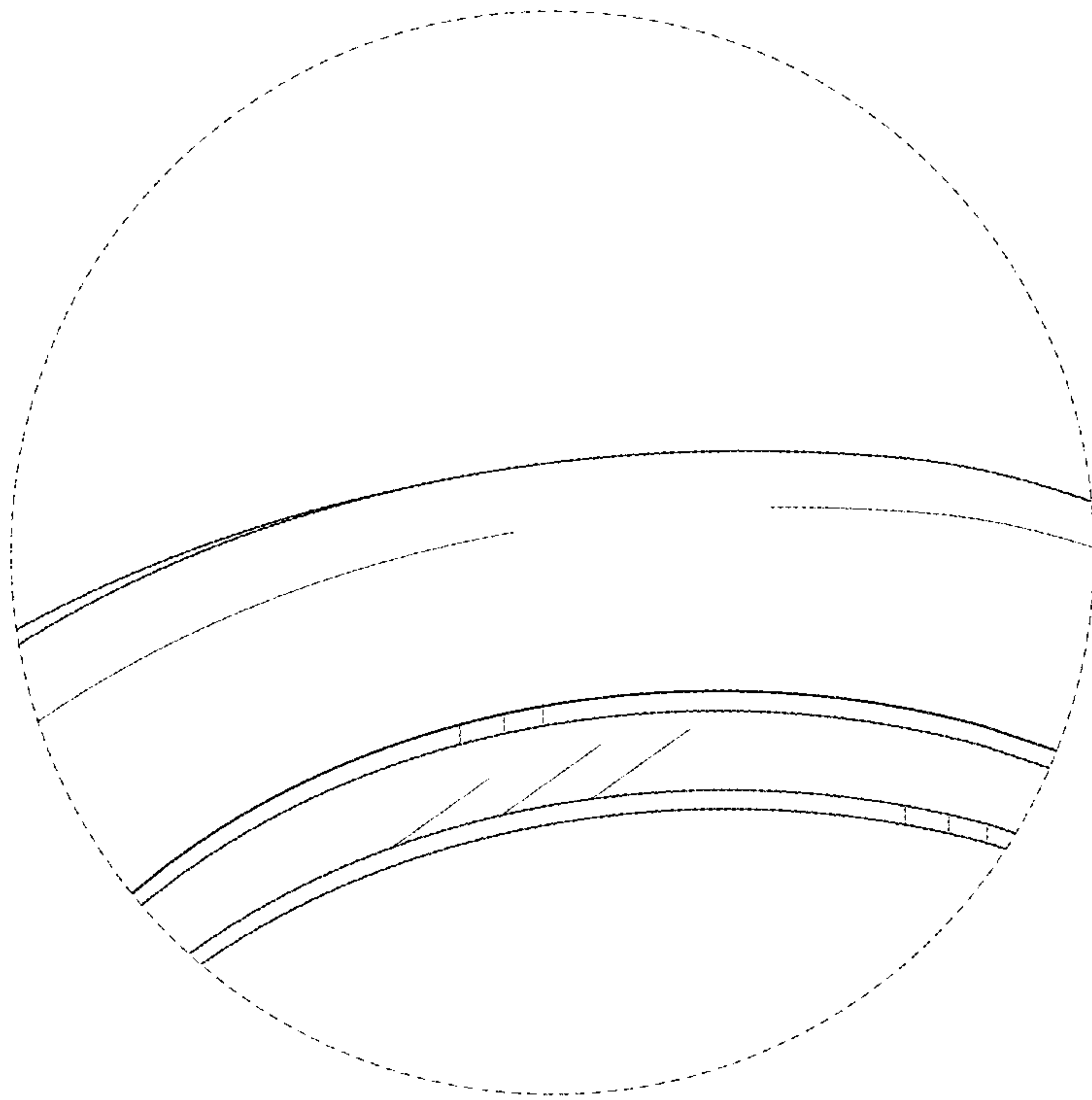


FIG.8

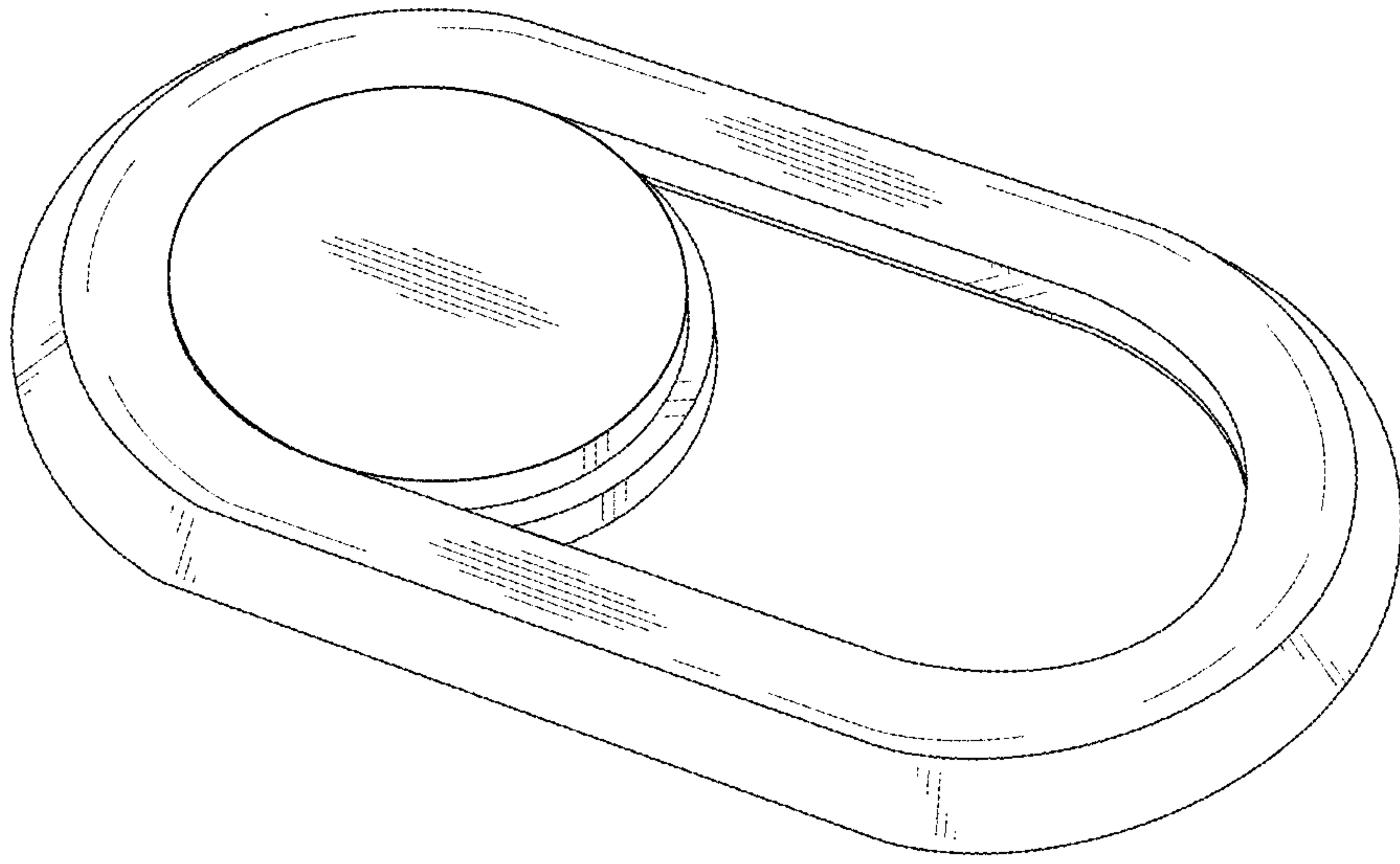


FIG.9

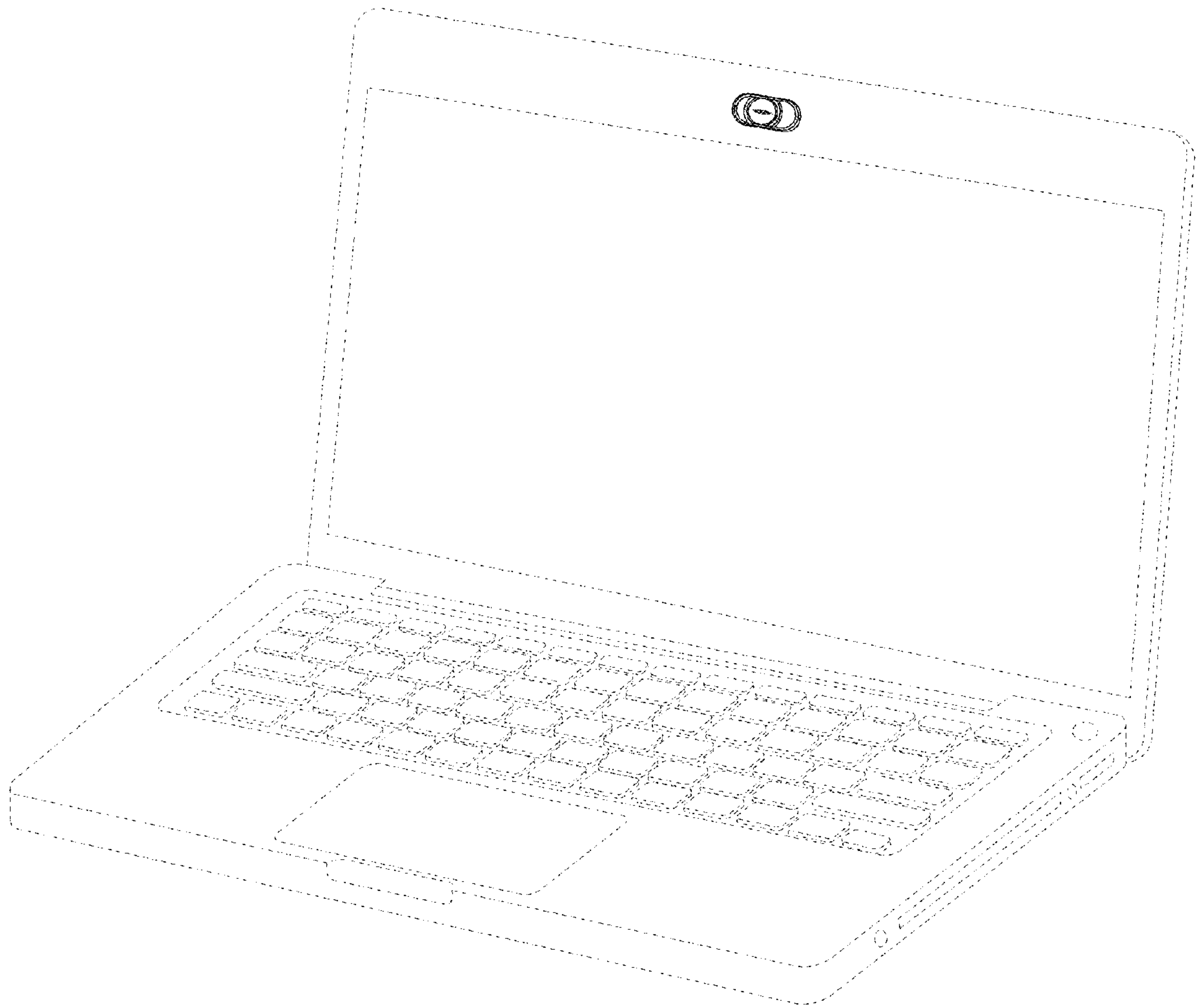


FIG.10

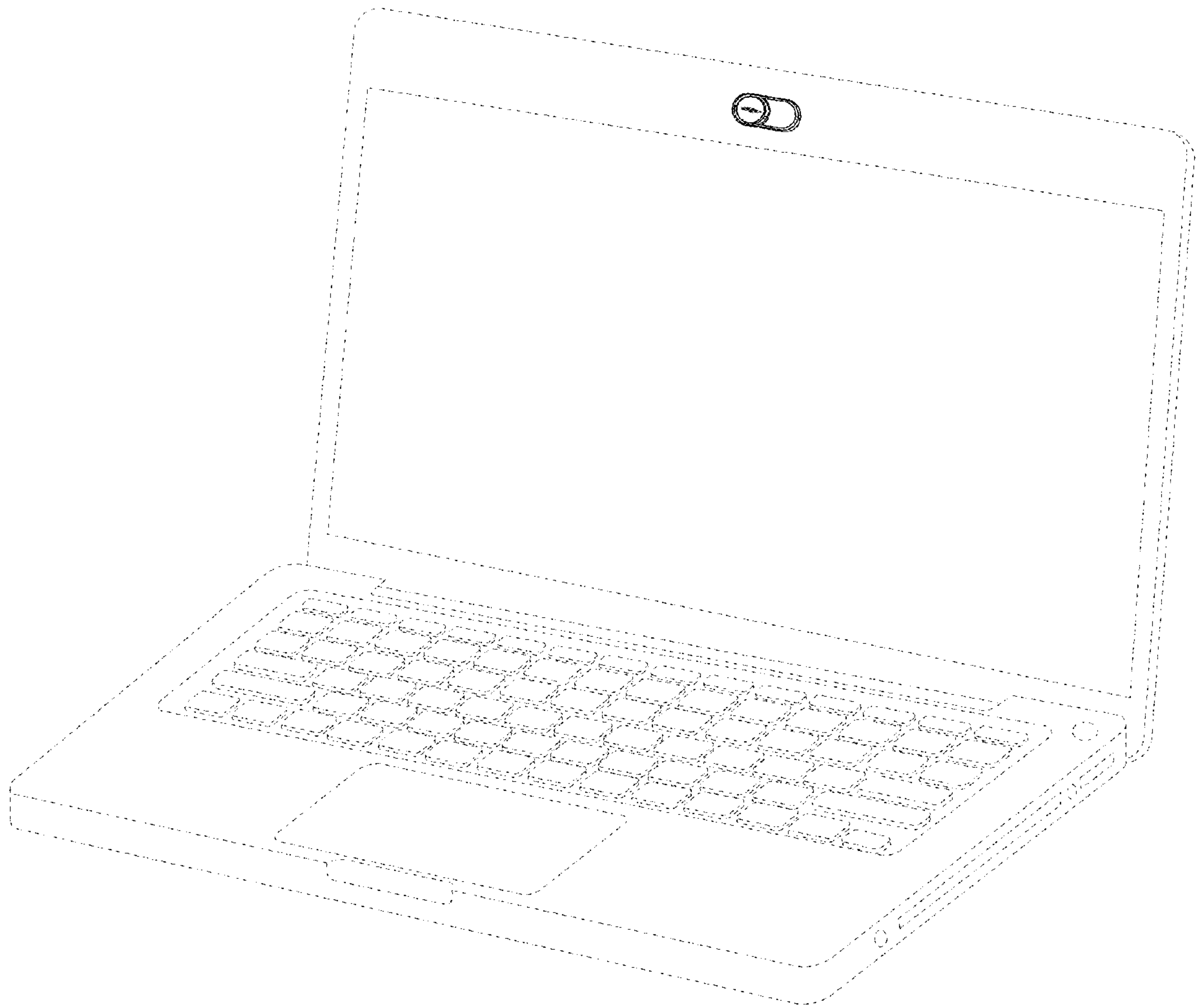


FIG.11