



US00D931359S

(12) **United States Design Patent** (10) **Patent No.:** **US D931,359 S**
Yue et al. (45) **Date of Patent:** **** Sep. 21, 2021**

(54) **CAMERA**
(71) Applicant: **Amazon Technologies, Inc.**, Seattle, WA (US)
(72) Inventors: **Shuai Yue**, Mercer Island, WA (US); **Sydney Tye Minnis**, Seattle, WA (US)
(73) Assignee: **Amazon Technologies, Inc.**, Seattle, WA (US)
(**) Term: **15 Years**
(21) Appl. No.: **29/774,332**
(22) Filed: **Mar. 16, 2021**

D700,231 S * 2/2014 Berkmortel D16/203
D772,323 S 11/2016 Hinkel
D772,966 S 11/2016 Song
D789,999 S 6/2017 Yakabe et al.
D805,569 S 12/2017 Daugela
D810,802 S * 2/2018 Schulze D16/202
D816,140 S 4/2018 Ranetkins et al.
D821,480 S 6/2018 Gioscia et al.
D834,085 S * 11/2018 Lu D16/203
D835,910 S 12/2018 Eliyahu
D837,861 S 1/2019 Luo et al.
D859,497 S * 9/2019 Turgel D16/208
D861,055 S 9/2019 Sekine
D874,534 S 2/2020 Matsuo
D874,540 S * 2/2020 Ostreko D16/208
D884,050 S 5/2020 Le et al.
D902,972 S * 11/2020 Nishimura D16/202
D907,100 S * 1/2021 Larsen D16/218
D907,102 S * 1/2021 Swartzendruber, Jr. D16/219
D908,155 S * 1/2021 Nishimura D16/200

Related U.S. Application Data

(62) Division of application No. 29/707,144, filed on Sep. 26, 2019, now Pat. No. Des. 916,164.
(51) **LOC (13) Cl.** **16-05**
(52) **U.S. Cl.**
USPC **D16/219; D16/200; D16/202**
(58) **Field of Classification Search**
USPC D16/200, 202–208, 218, 219, 237, 242;
348/143, 148, 151, 373–376; 396/419,
396/427, 535, 539–541; 248/176.1, 187.1
CPC G03B 17/02; G03B 19/04; G03B 17/56;
G03B 17/04; G03B 15/03; H04N 5/2251;
H04N 5/2252; H04N 5/2253; H04N
5/2254; H04N 7/181; H04N 7/183; H04N
7/18
See application file for complete search history.

* cited by examiner

Primary Examiner — Ramzi Almatrahi
(74) *Attorney, Agent, or Firm* — Lee & Hayes, P.C.

(57) **CLAIM**

The ornamental design for a camera, as shown and described.

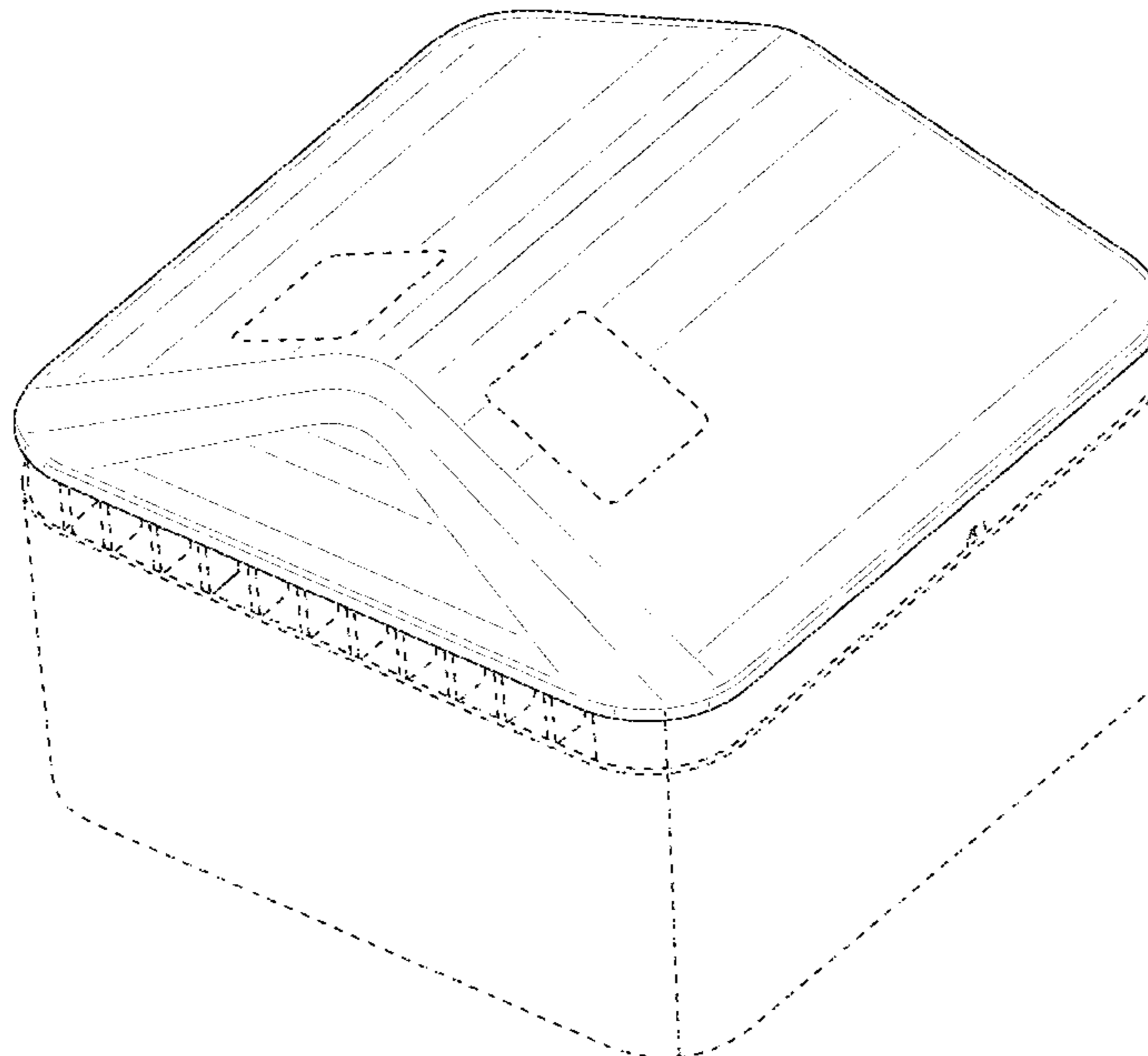
DESCRIPTION

FIG. 1 is a front perspective view of a camera;
FIG. 2 is a front view thereof;
FIG. 3 is a back view thereof;
FIG. 4 is a left-side view thereof;
FIG. 5 is a right-side view thereof;
FIG. 6 is a top view thereof; and,
FIG. 7 is a bottom view thereof.
The dashed broken lines depict portions of the camera that form no part of the claimed design.

(56) **References Cited**
U.S. PATENT DOCUMENTS

D521,038 S 5/2006 Takagi
D624,950 S * 10/2010 Hall, Jr. D16/237

1 Claim, 7 Drawing Sheets



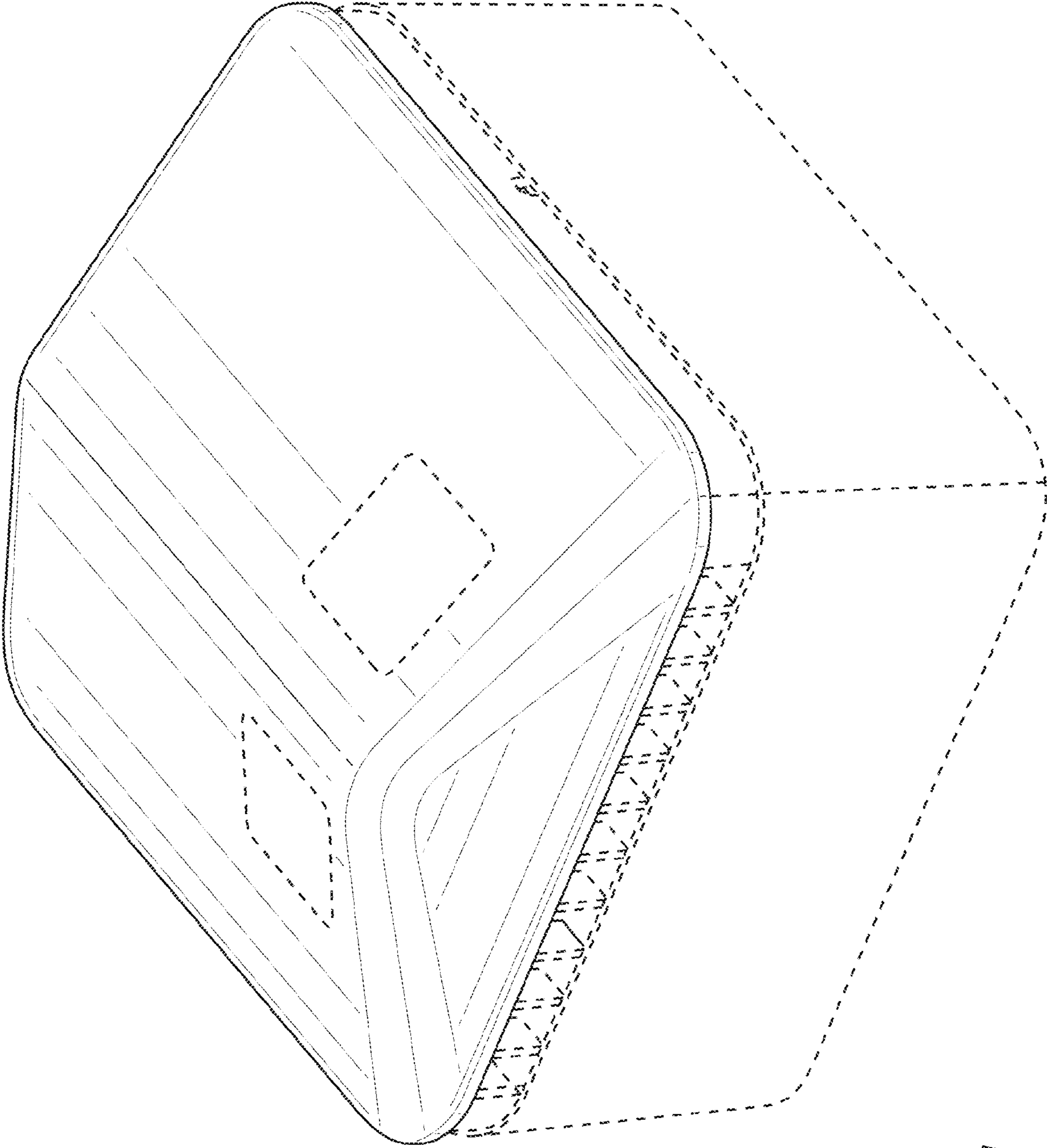


FIG. 1

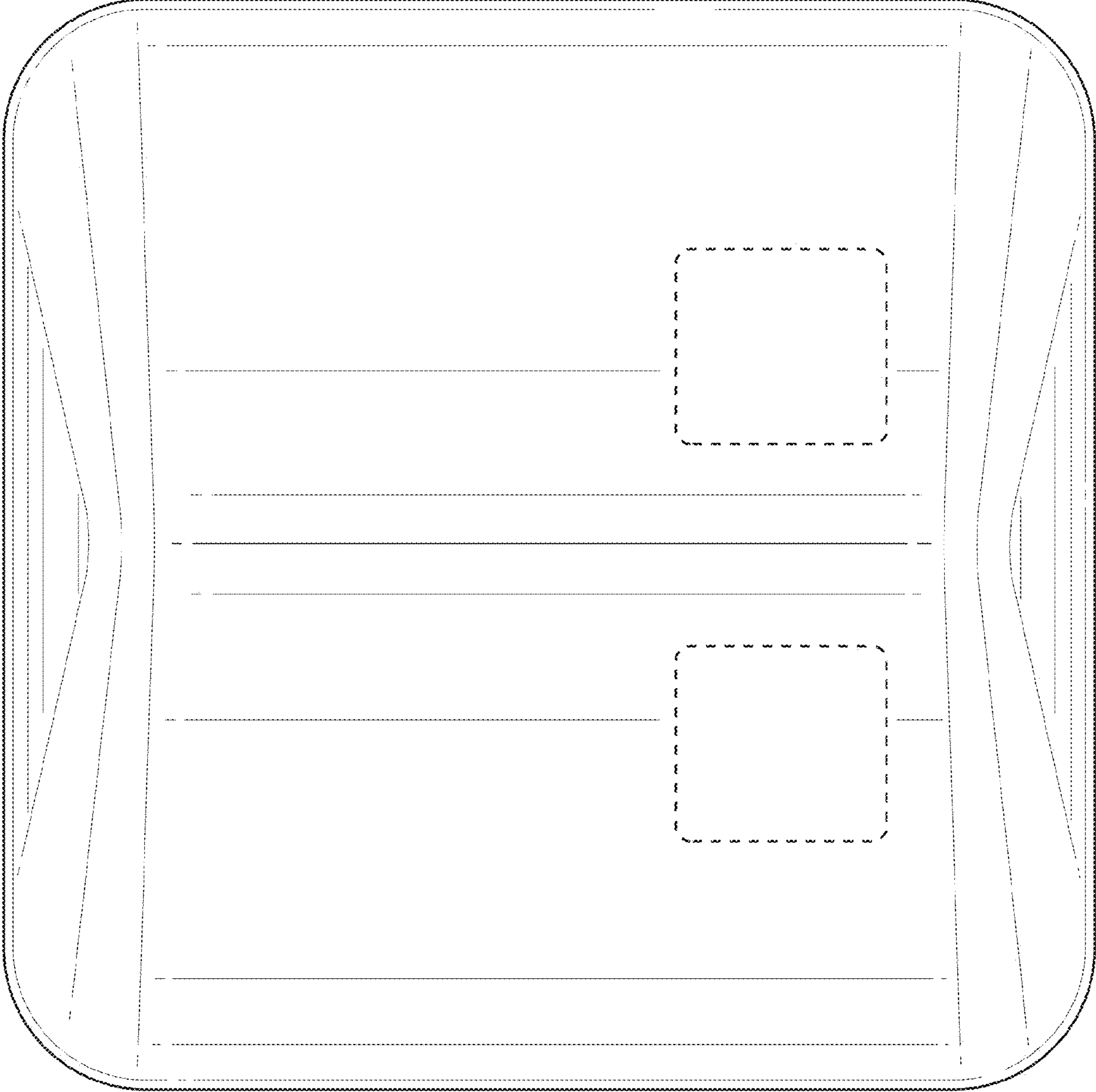


FIG. 2

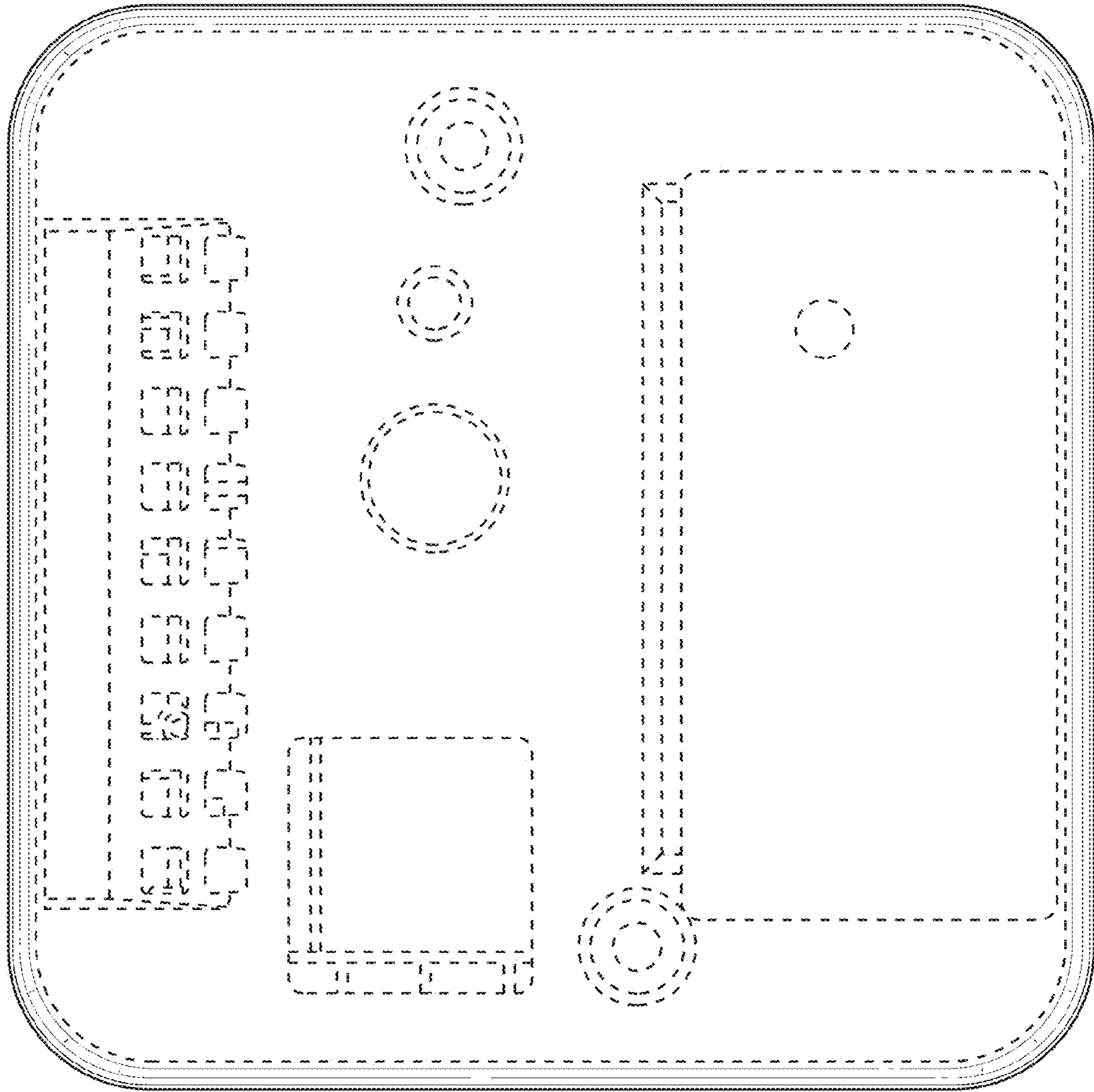


FIG. 3

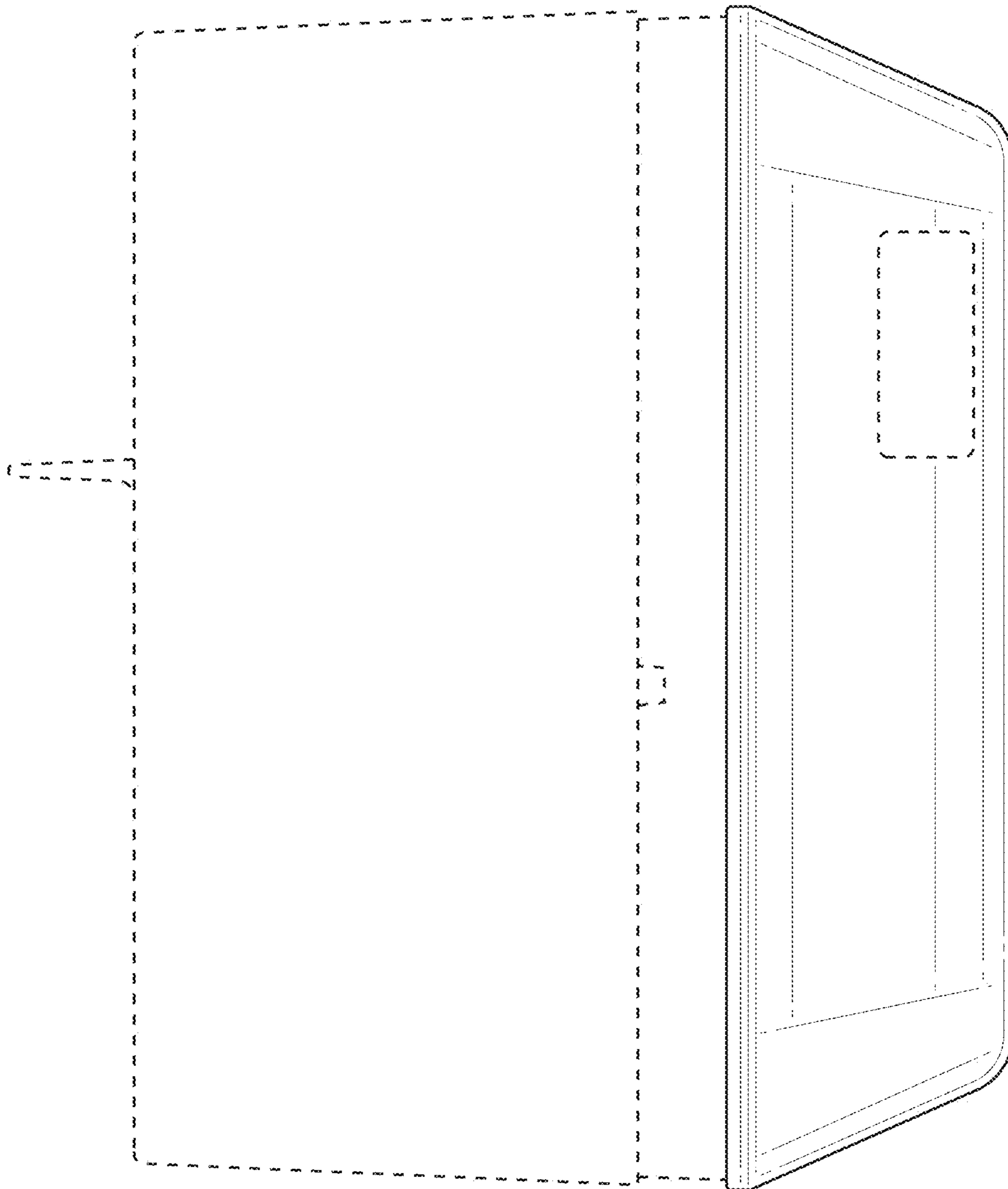


FIG. 4

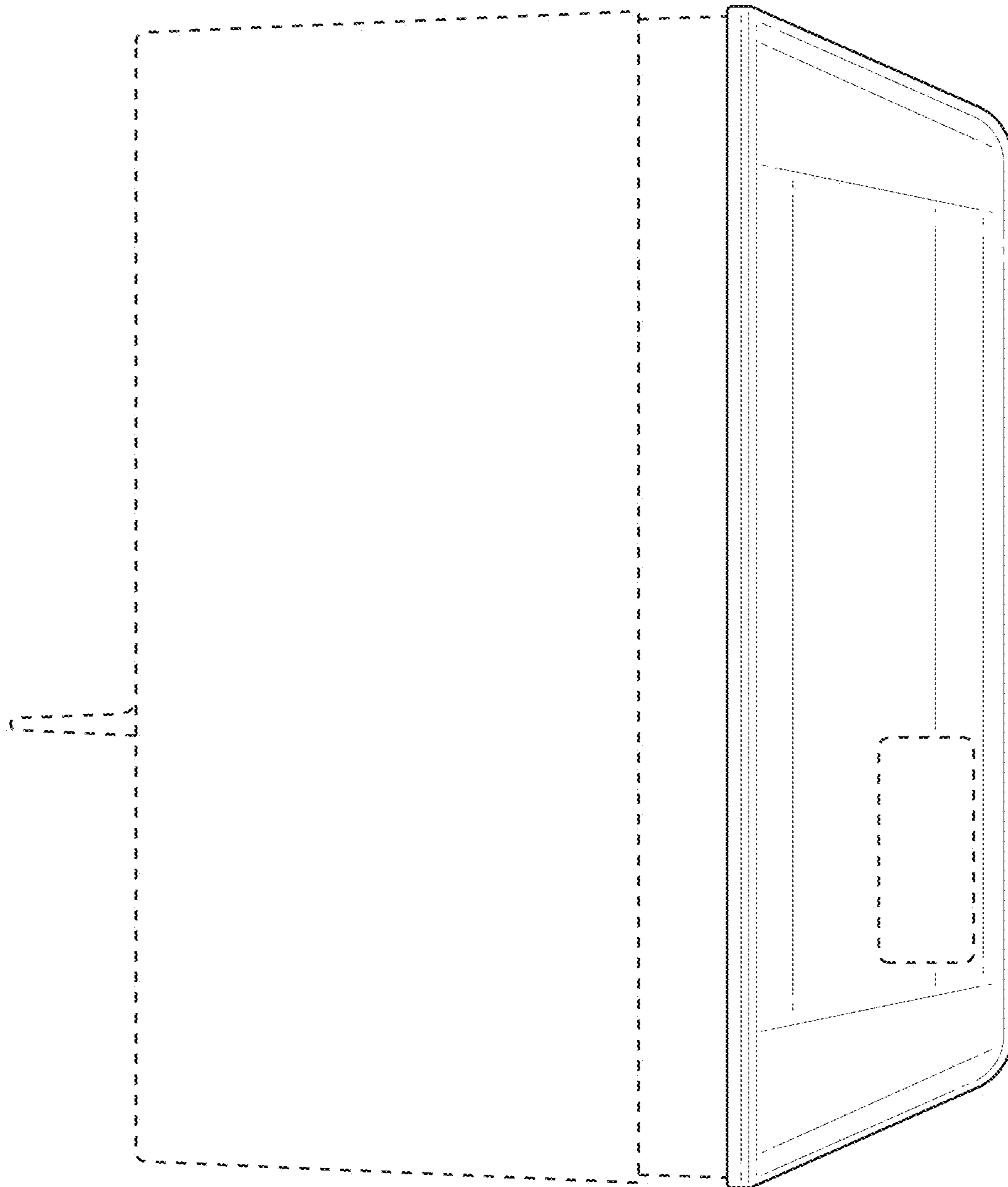


FIG. 5

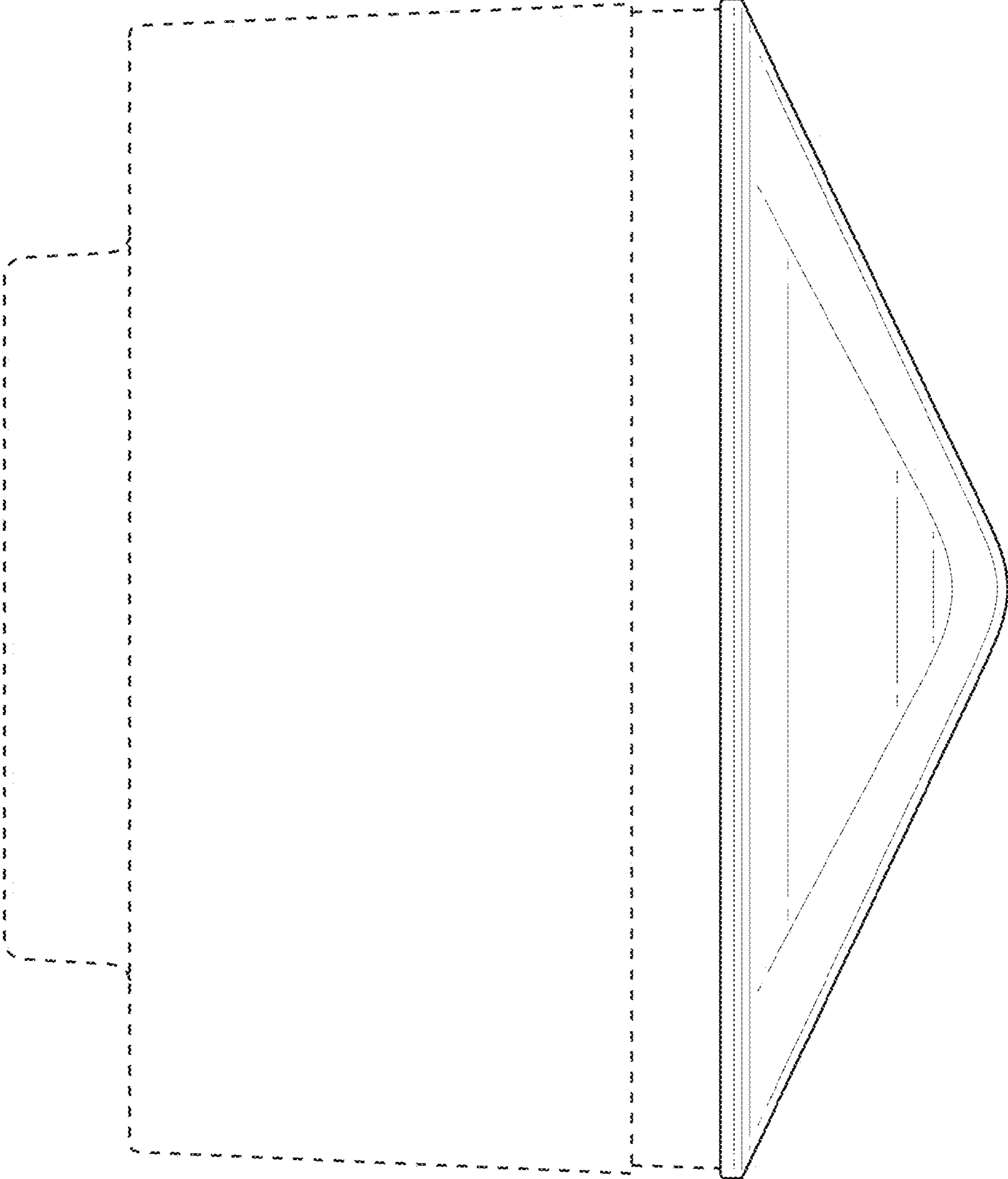


FIG. 6

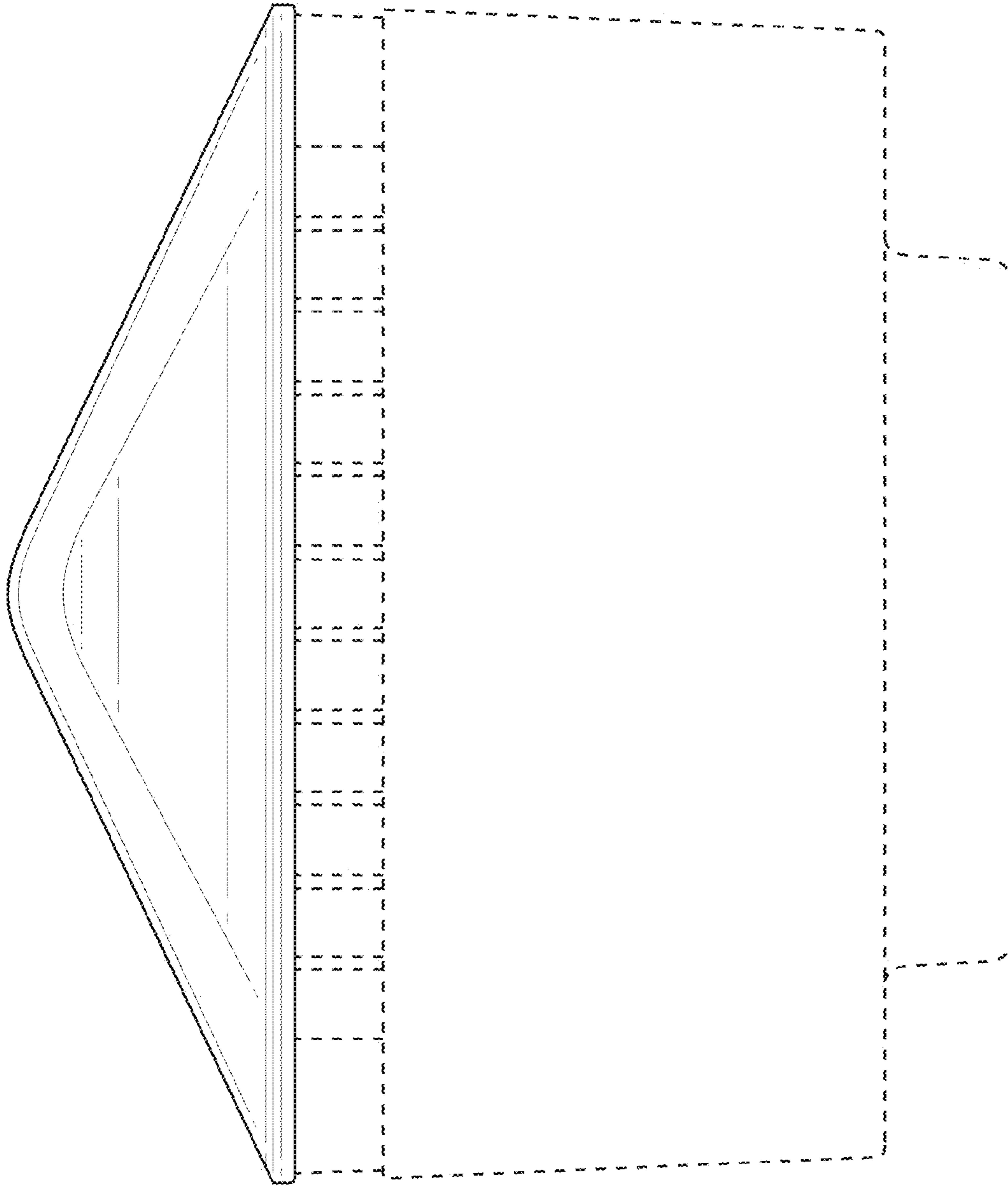


FIG. 7