



US00D931358S

(12) **United States Design Patent** (10) **Patent No.:** **US D931,358 S**
England et al. (45) **Date of Patent:** **** Sep. 21, 2021**

(54) **SECURITY CAMERA**

(71) Applicant: **Amazon Technologies, Inc.**, Seattle, WA (US)

(72) Inventors: **Matthew J. England**, Santa Monica, CA (US); **Wen-Yo Lu**, Pasadena, CA (US); **Christopher Loew**, Palo Alto, CA (US)

(73) Assignee: **Amazon Technologies, Inc.**, Seattle, WA (US)

(**) Term: **15 Years**

(21) Appl. No.: **29/759,421**

(22) Filed: **Nov. 23, 2020**

Related U.S. Application Data

(62) Division of application No. 29/406,825, filed on Sep. 24, 2019, now Pat. No. Des. 902,977.

(51) **LOC (13) Cl.** **16-05**

(52) **U.S. Cl.**
USPC **D16/219**

(58) **Field of Classification Search**
USPC D16/200, 202-206, 208, 218, 219, 242;
348/143, 148, 151, 373-376; 396/419,
396/427, 535, 539-541
CPC G03B 17/02; G03B 19/04; G03B 17/56;
G03B 17/04; G03B 15/03; H04N 5/2251;
H04N 5/2252; H04N 5/2253; H04N
5/2254; H04N 7/181; H04N 7/183; H04N
7/18; G08B 13/1963; G08B 13/19619;
G08B 13/19632; F16M 11/04; F16M
13/00

See application file for complete search history.

(56) **References Cited**

U.S. PATENT DOCUMENTS

D349,714 S 8/1994 Hasegawa
D401,257 S * 11/1998 Iino D16/202

D518,080 S 3/2006 Uehara
D618,265 S * 6/2010 Wozniak D16/202
D701,893 S 4/2014 Bart et al.
D747,383 S 1/2016 Li
D781,361 S 3/2017 Dimitriadis et al.
D795,941 S 8/2017 Dimitriadis et al.
D798,935 S 10/2017 Dimitriadis et al.
D810,169 S 2/2018 Bhattacharya
D817,379 S * 5/2018 Laurans D16/219
D818,515 S 5/2018 Laurans et al.
D821,477 S 6/2018 Moon et al.

(Continued)

OTHER PUBLICATIONS

Japanese Office Action dated Aug. 25, 2020 for Japanese Patent Application No. 2020-005351, a counterpart of U.S. Appl. No. 29/706,825, 6 pages.

(Continued)

Primary Examiner — Ramzi Almatrahi

(74) *Attorney, Agent, or Firm* — Lee & Hayes, P.C.

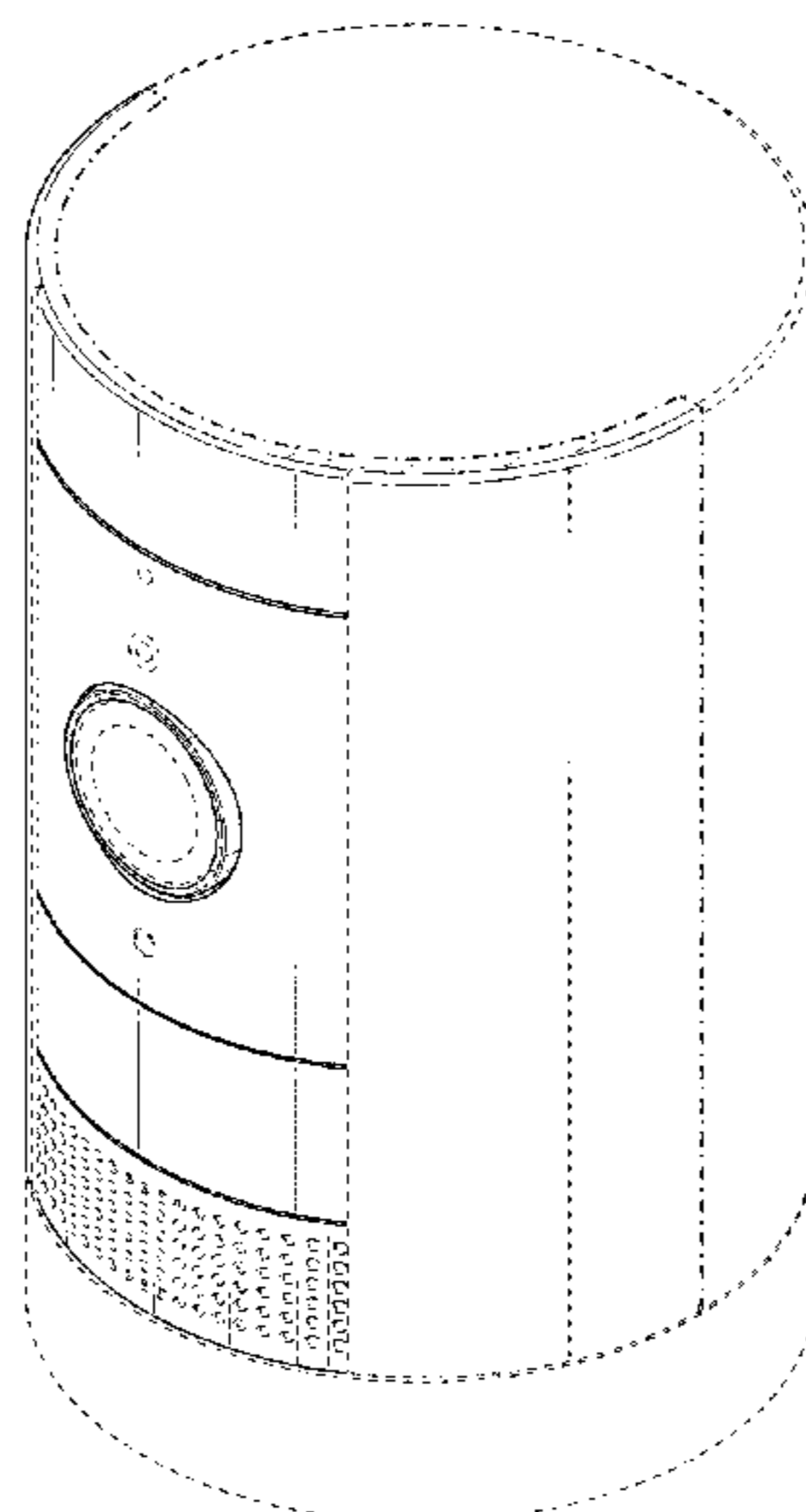
(57) **CLAIM**

The ornamental design for a security camera, as shown and described.

DESCRIPTION

FIG. 1 is a top, front, and right-side, top perspective view of a security camera;
FIG. 2 is a front elevation view thereof;
FIG. 3 is a back elevation view thereof;
FIG. 4 is a left-side elevation view thereof;
FIG. 5 is a right-side elevation view thereof;
FIG. 6 is a top plan view thereof; and,
FIG. 7 is a bottom plan view thereof.
The dashed broken lines depict portions of the security camera that form no part of the claimed design. The dot-dashed broken lines denote the boundary of the claim and form no part of the claimed design.

1 Claim, 7 Drawing Sheets



(56)

References Cited

U.S. PATENT DOCUMENTS

D834,631	S	11/2018	Park	
D840,965	S *	2/2019	Ke	D14/159
D842,358	S	3/2019	Puric et al.	
D865,025	S	10/2019	Siminoff et al.	
D874,552	S *	2/2020	Loew	D16/219
D875,159	S *	2/2020	Siminoff	D16/203
D879,177	S *	3/2020	Siminoff	D16/203
D896,864	S *	9/2020	Hasani	D16/203
10,761,409	B2 *	9/2020	Vega	G03B 17/02
D899,483	S *	10/2020	Leiponis	D16/203
D902,281	S *	11/2020	Yang	D16/203
D902,977	S *	11/2020	England	D16/203
D912,716	S *	3/2021	Sasaki	D16/202

OTHER PUBLICATIONS

Ring Stick Up Cam Battery—2nd generation, retrieved from <<https://www.amazon.com/All-new-Ring-Battery-Security-Two-Way/dp/B07GZX1JYT>>, published on Dec. 16, 2018.

* cited by examiner

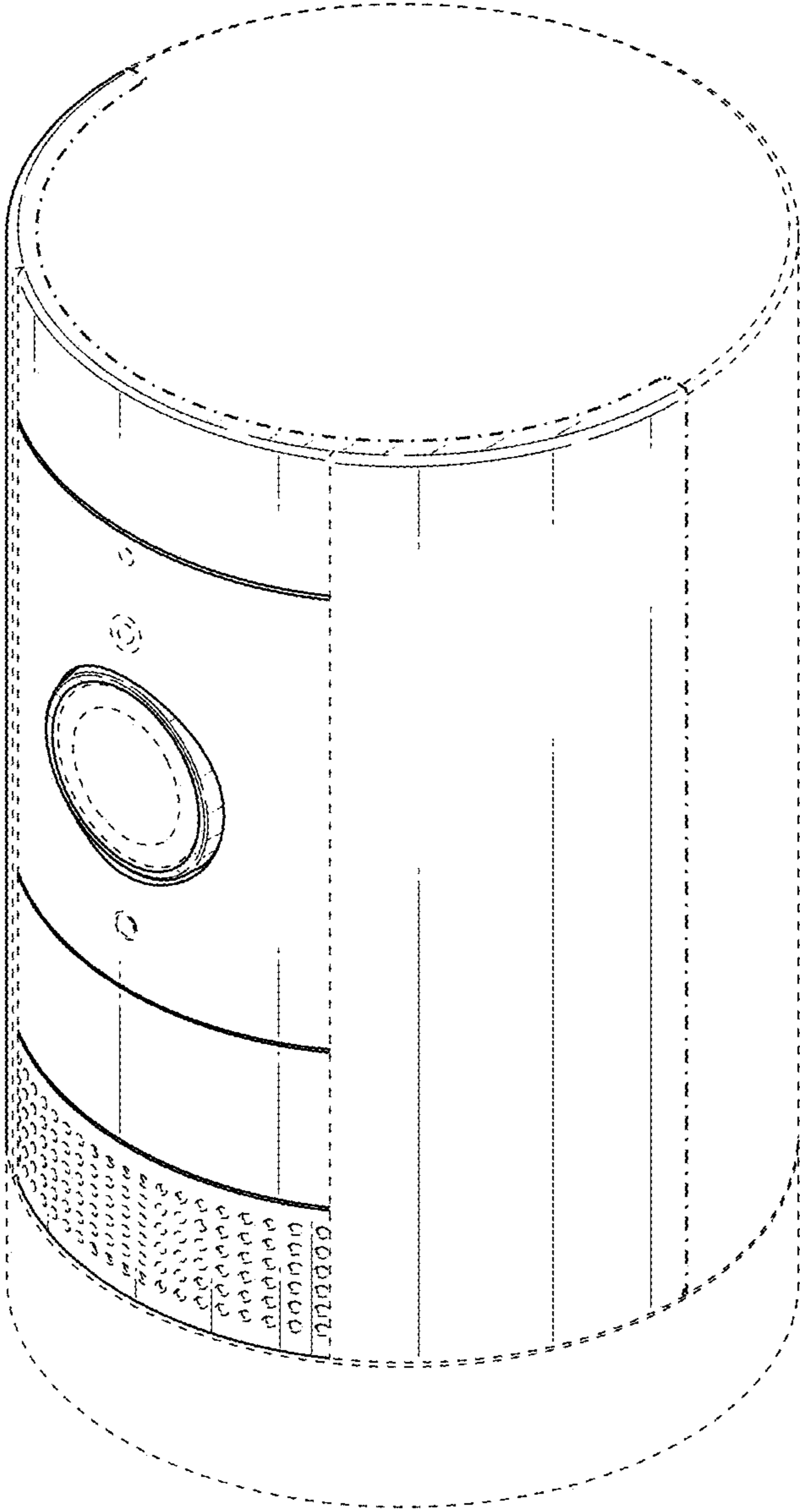


FIG. 1

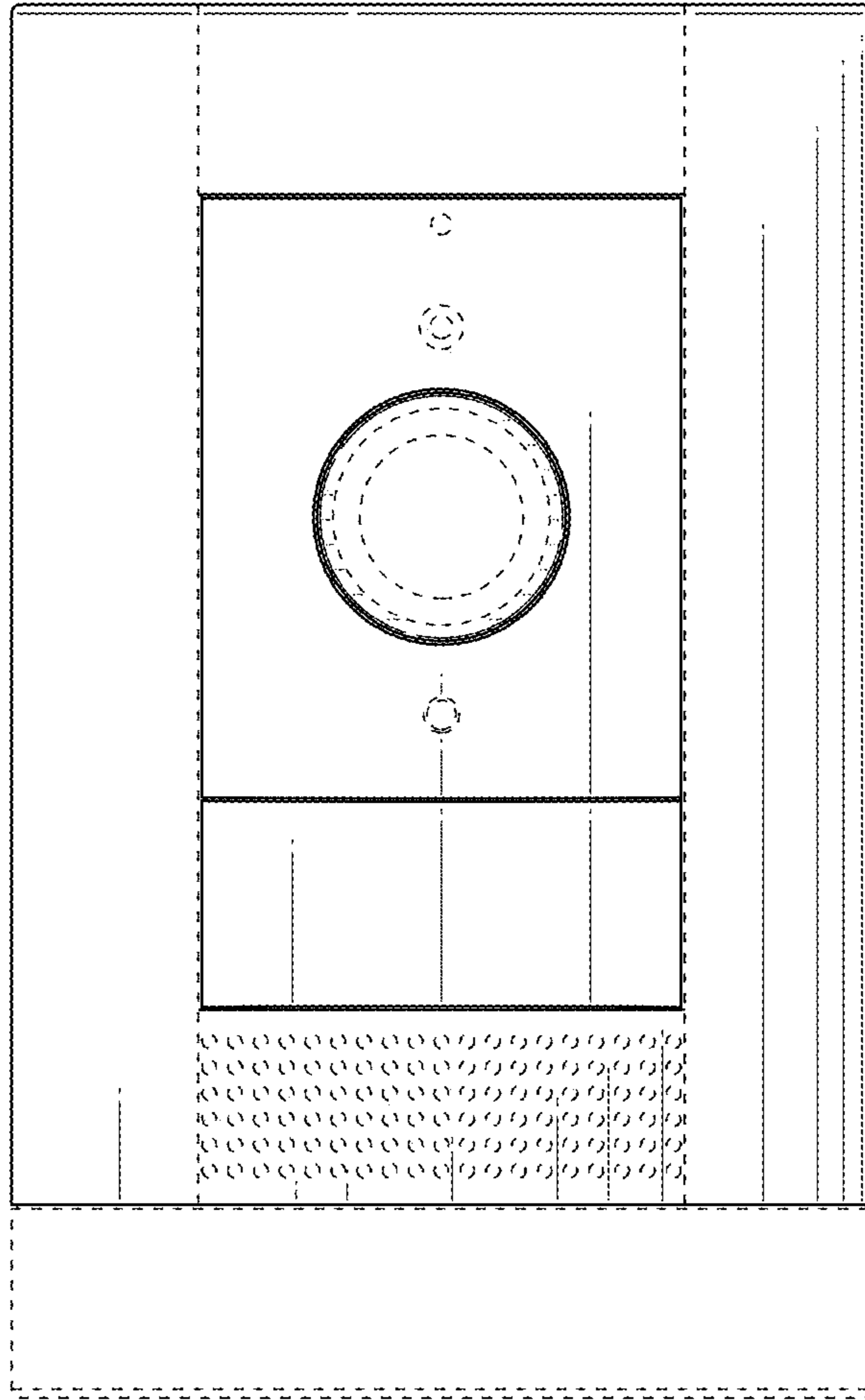


FIG. 2

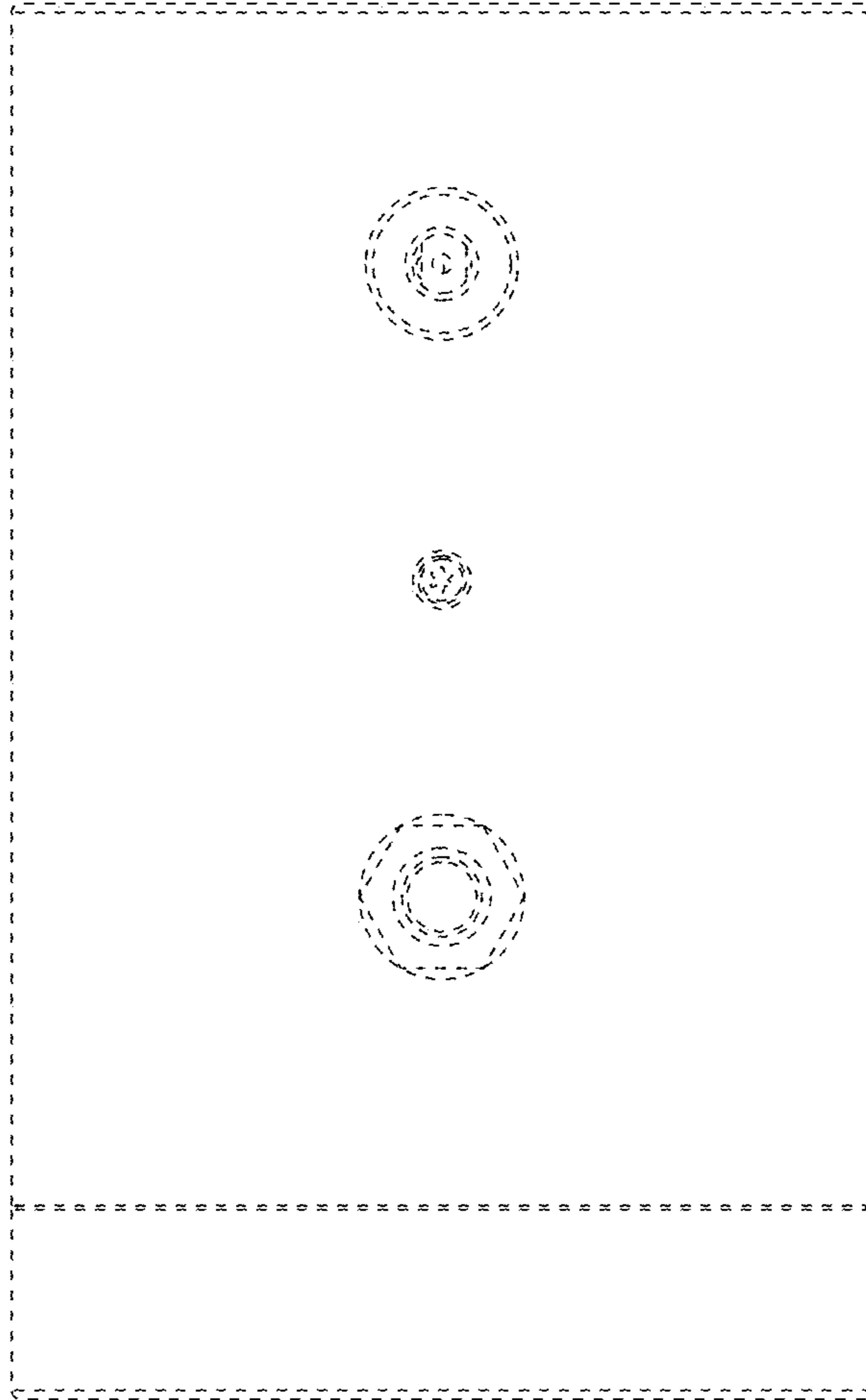


FIG. 3

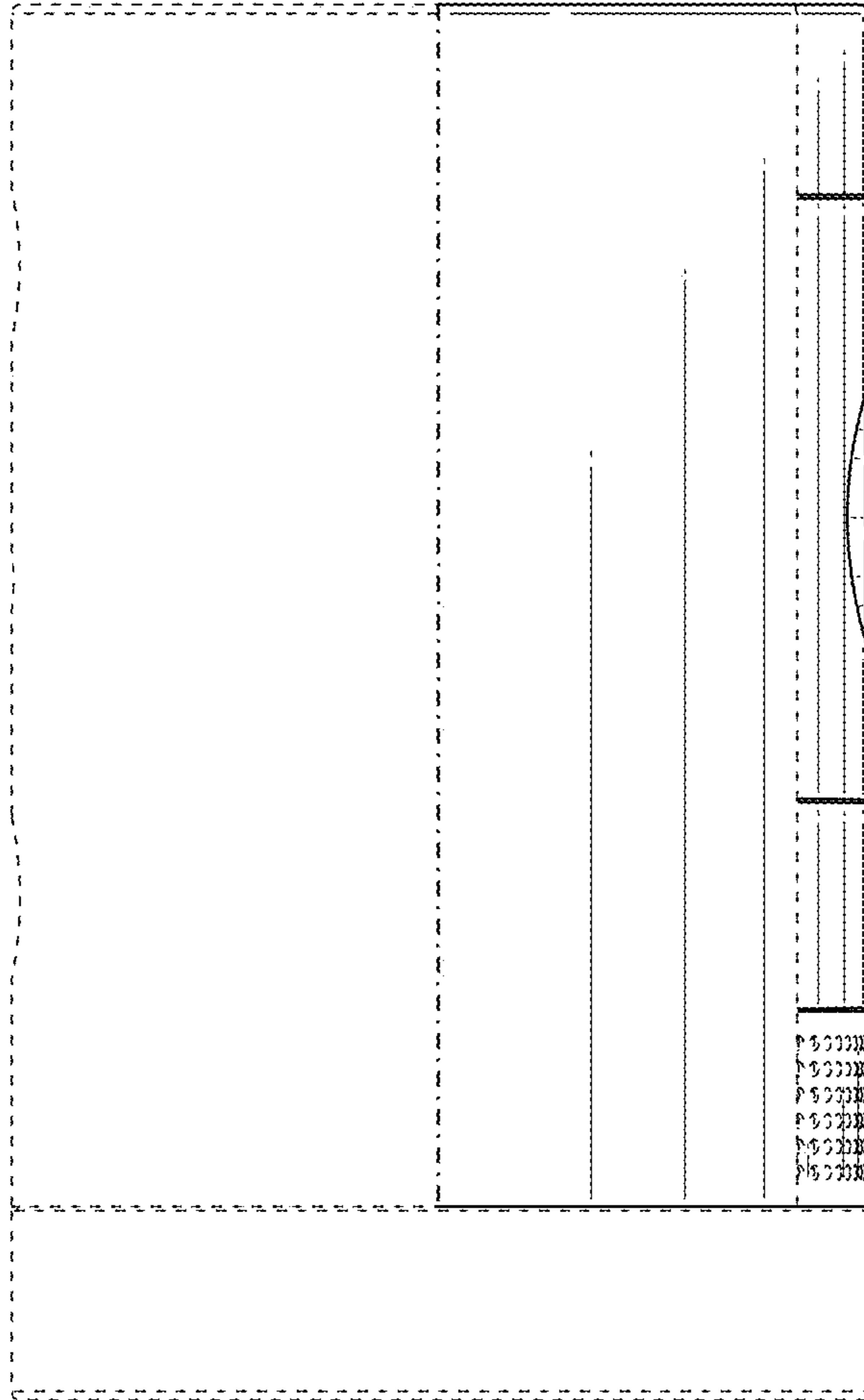


FIG. 4

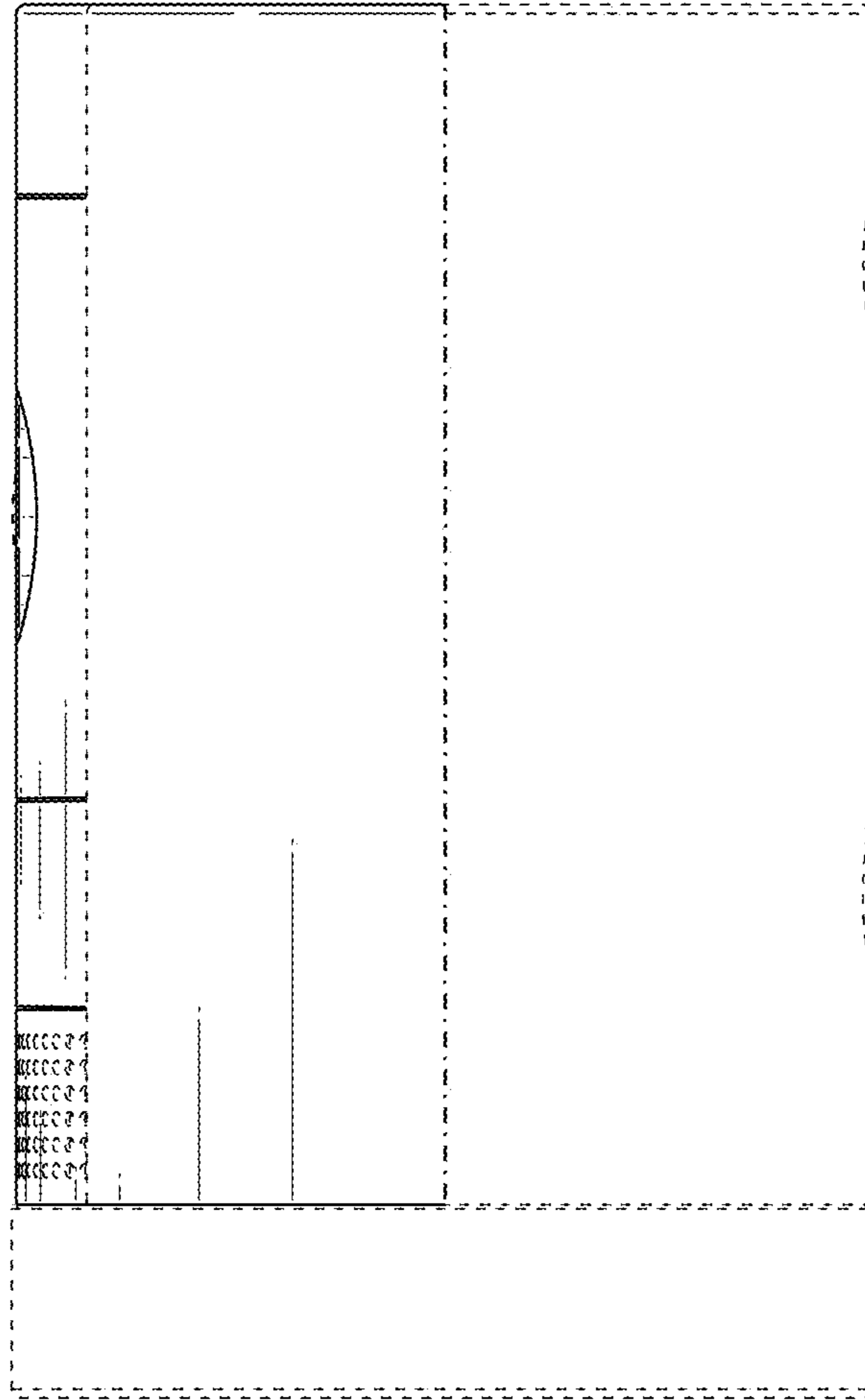


FIG. 5

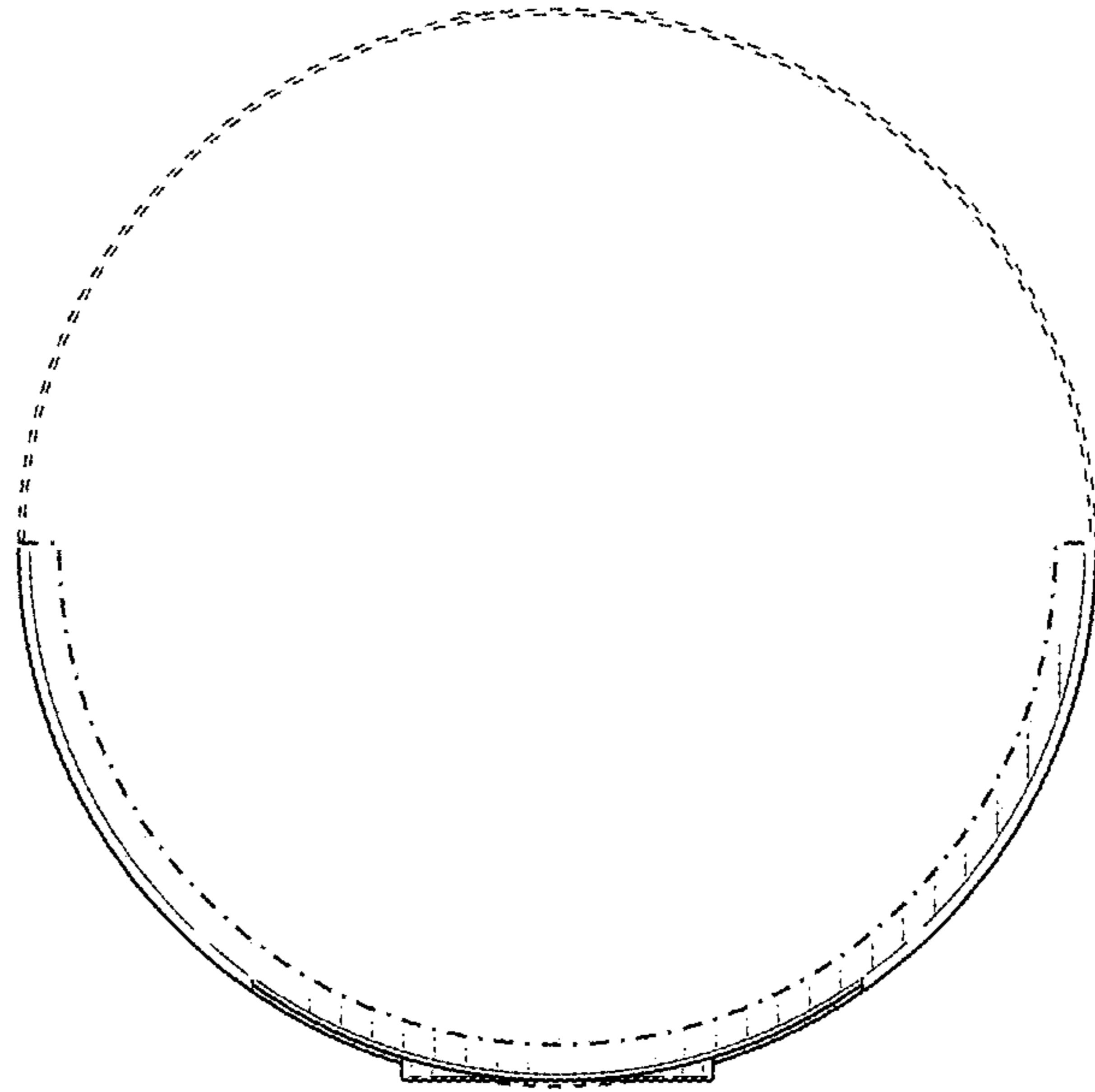


FIG. 6

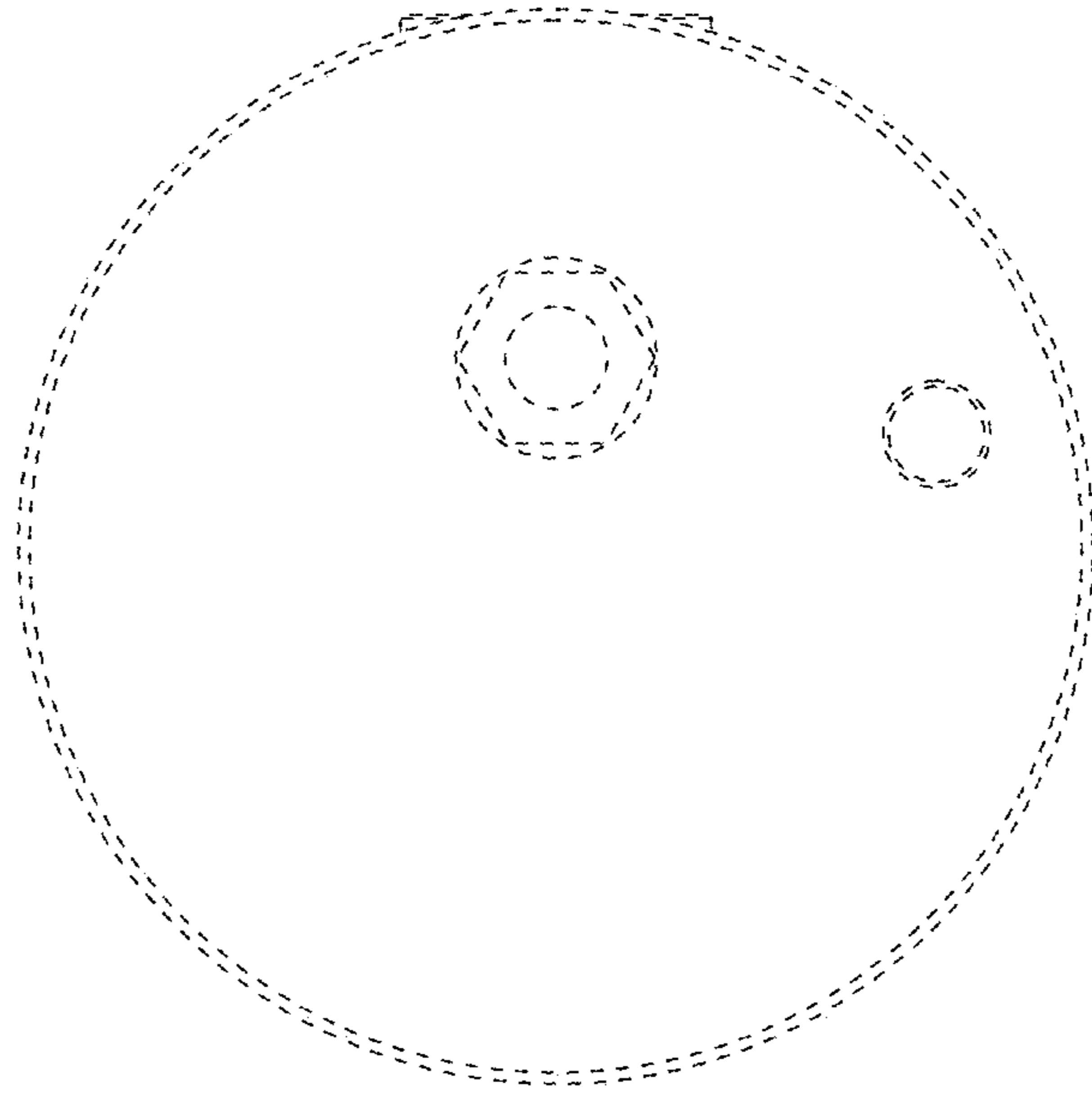


FIG. 7