



US00D931356S

(12) **United States Design Patent**
Morishita

(10) **Patent No.:** **US D931,356 S**

(45) **Date of Patent:** **** Sep. 21, 2021**

(54) **VIDEO CAMERA**

(71) Applicant: **Panasonic Intellectual Property Management Co., Ltd., Osaka (JP)**

(72) Inventor: **Yoshihito Morishita, Tokyo (JP)**

(73) Assignee: **Panasonic Intellectual Property Management Co., Ltd., Osaka (JP)**

(**) Term: **15 Years**

(21) Appl. No.: **29/688,994**

(22) Filed: **Apr. 25, 2019**

(30) **Foreign Application Priority Data**

Apr. 5, 2019 (JP) 2019-007424

(51) **LOC (13) Cl.** **16-05**

(52) **U.S. Cl.**
USPC **D16/219**

(58) **Field of Classification Search**

USPC D16/200, 202–208, 210, 218, 219, 242;
348/231.99, 373–376; 358/906;
396/536–538

CPC G03B 17/02; G03B 19/04; G03B 17/56;
G03B 17/04; G03B 15/03; G03B 17/14;
H04N 5/2251; H04N 5/2252; H04N
5/2253; H04N 5/2254

See application file for complete search history.

(56) **References Cited**

U.S. PATENT DOCUMENTS

D289,157 S * 4/1987 Inai D16/202
D412,515 S * 8/1999 Oka D16/202
D450,741 S * 11/2001 Oka D16/202
D486,845 S * 2/2004 Oka D16/202
D543,223 S * 5/2007 Uchiyama D16/202
D558,247 S * 12/2007 Kim D16/202
D559,879 S * 1/2008 Sumita D16/202

D589,547 S * 3/2009 Yamada D16/202
D605,212 S 12/2009 Mori et al.
D679,310 S * 4/2013 Wu D16/219

(Continued)

Primary Examiner — Ramzi Almatrahi

(74) *Attorney, Agent, or Firm* — Panasonic IP Management; Kerry S. Culpepper

(57) **CLAIM**

I claim the ornamental design for a video camera, as shown and described.

DESCRIPTION

FIG. 1 is a top and rear perspective view of a video camera showing my new design;

FIG. 2 is a bottom and rear perspective view thereof;

FIG. 3 is a top and front perspective view thereof;

FIG. 4 is a front view thereof;

FIG. 5 is a rear view thereof;

FIG. 6 is a first side view thereof;

FIG. 7 is a second side view thereof;

FIG. 8 is a top view thereof;

FIG. 9 is a bottom view thereof;

FIG. 10 is a top and rear perspective thereof, shown with bottom cover in an open configuration;

FIG. 11 is a top and rear perspective thereof, shown with middle and bottom cover in an open configuration;

FIG. 12 is a top and rear perspective thereof, shown with top, middle and bottom cover in an open configuration;

FIG. 13 is a rear view of FIG. 10;

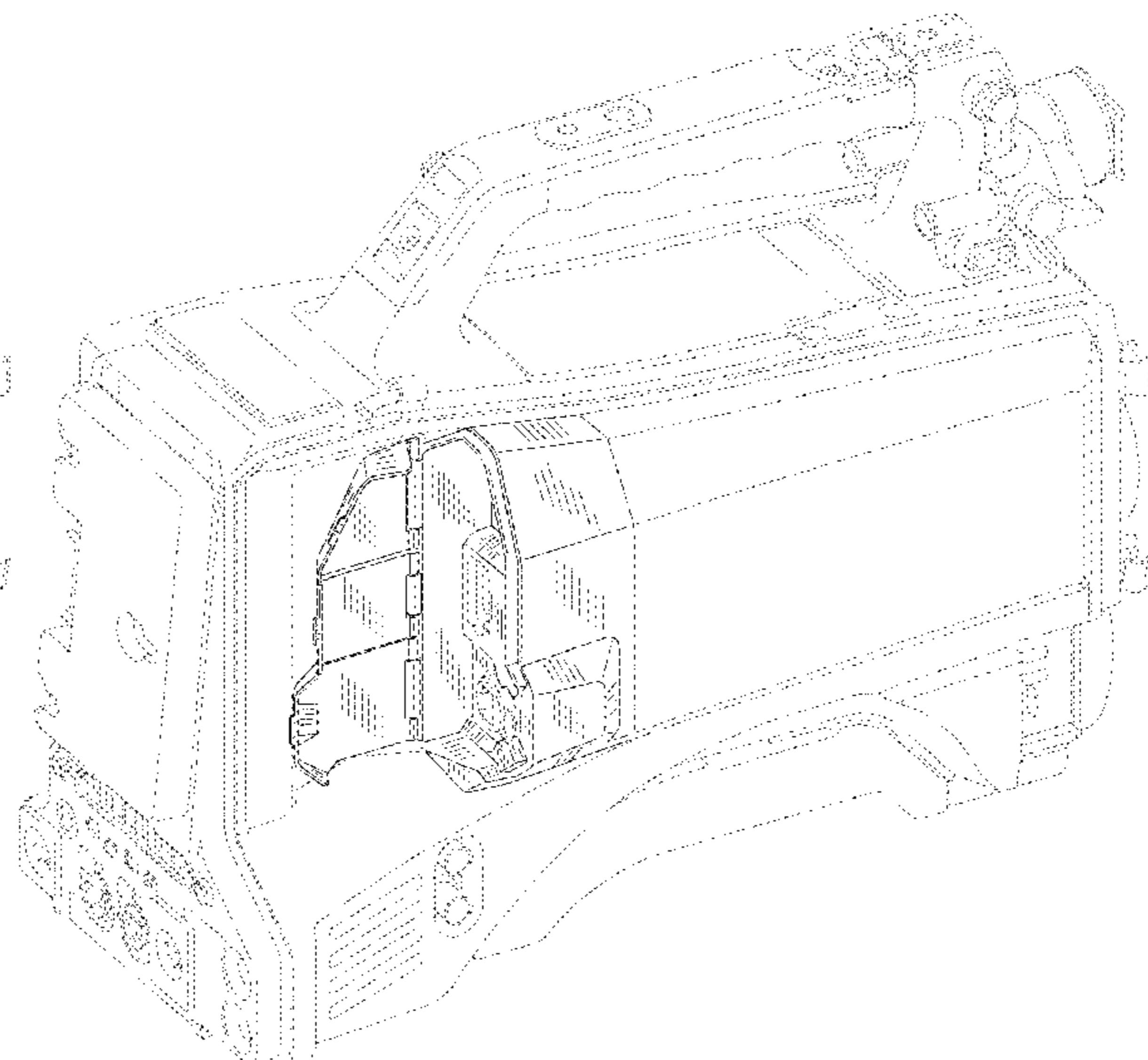
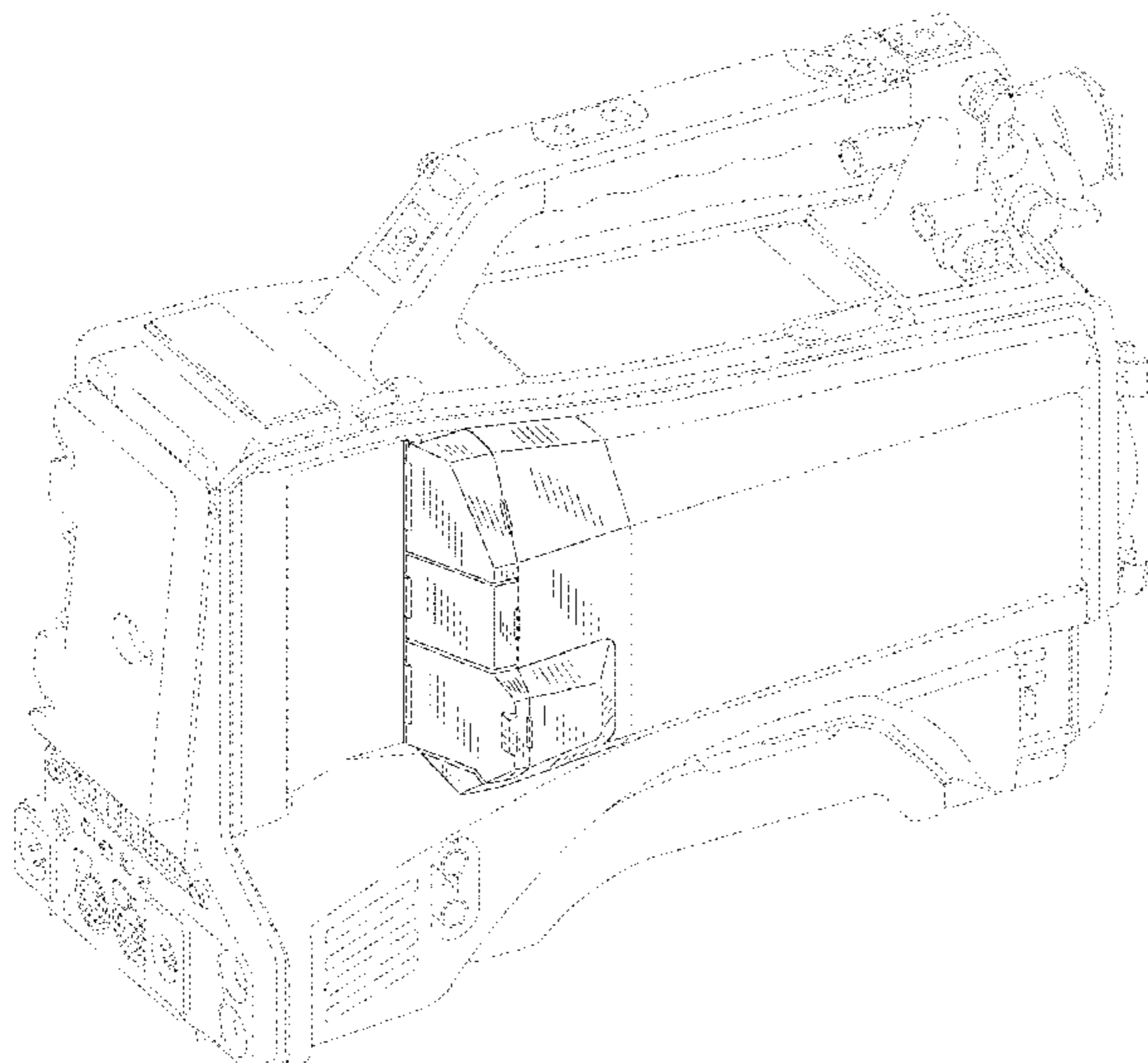
FIG. 14 is a rear view of FIG. 11;

FIG. 15 is a rear view of FIG. 12; and,

FIG. 16 is a cross-sectional view thereof taken along line 16-16 of FIG. 5, in which an internal structure thereof is not shown.

The broken lines depict portions of the video camera in which the design is embodied that form no part of the claimed design. Additionally, the dash-dot lines denote the boundary of the claim and form no part of the claimed design.

1 Claim, 16 Drawing Sheets



(56)

References Cited

U.S. PATENT DOCUMENTS

D719,203 S	*	12/2014	Horiki	D16/202
D741,929 S	*	10/2015	Tanifuji	D16/202
D768,225 S	*	10/2016	Hirose	D16/219
D768,749 S	*	10/2016	Koppetz	D16/202

* cited by examiner

FIG. 1

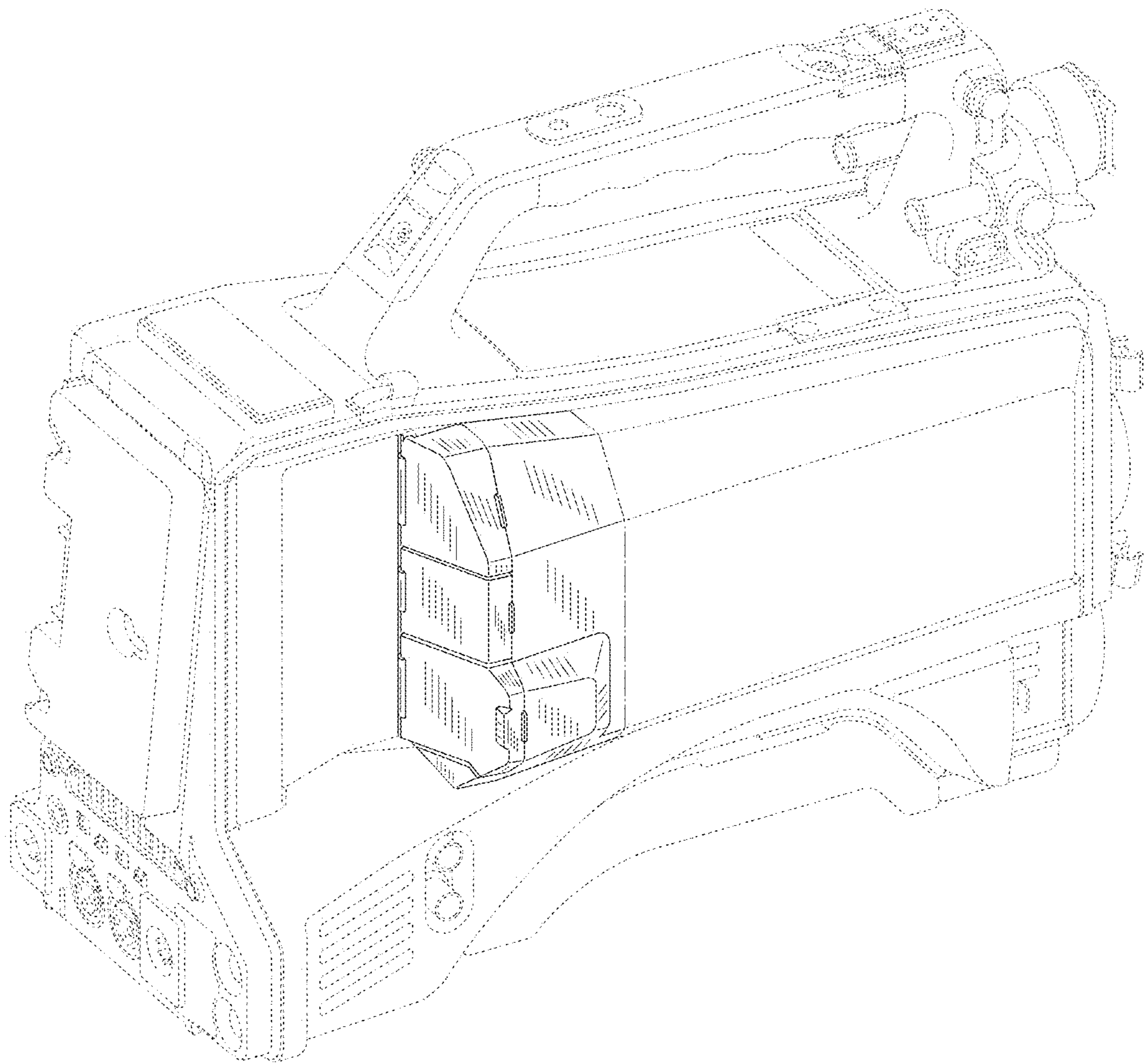


FIG. 2

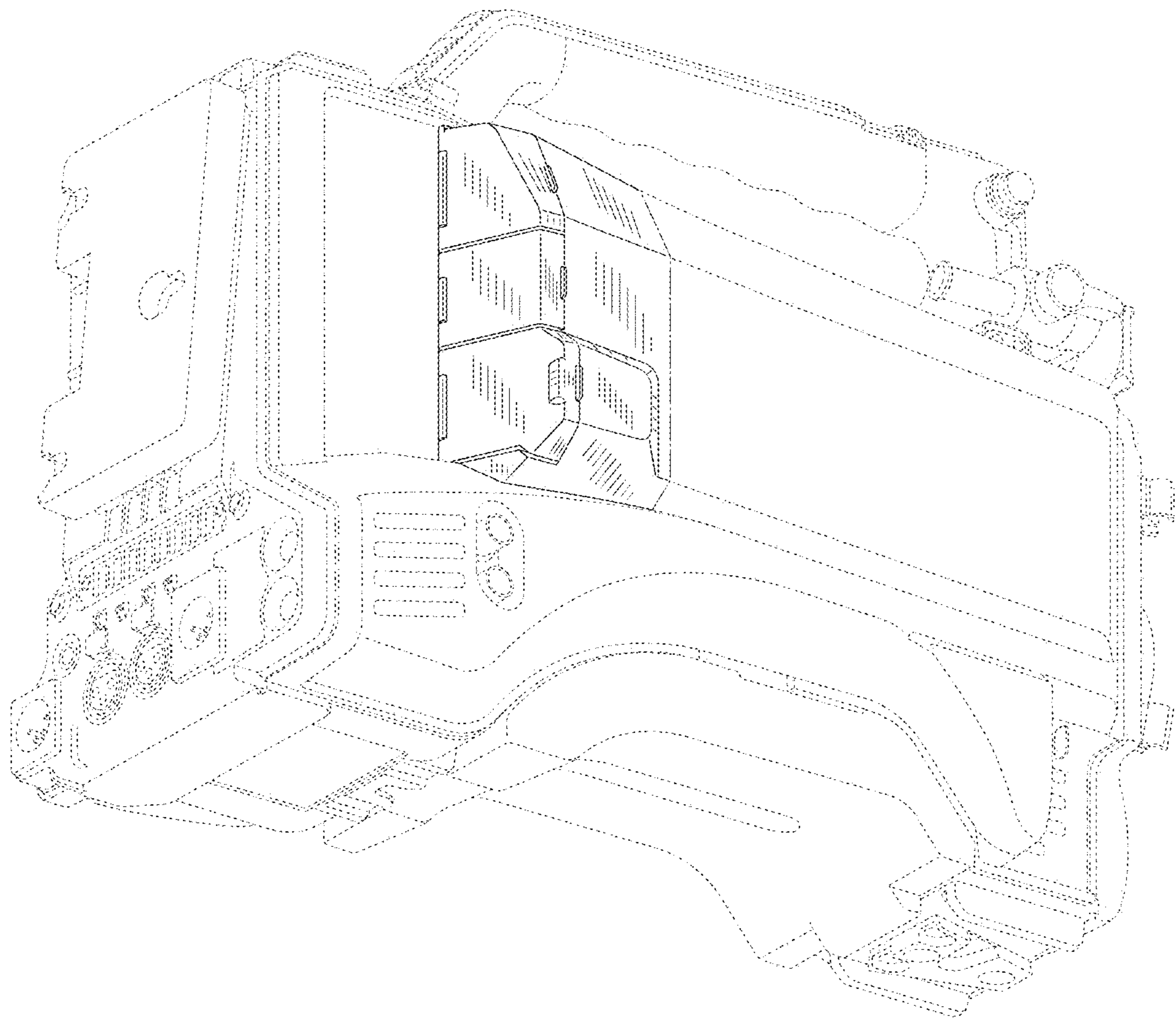


FIG. 3

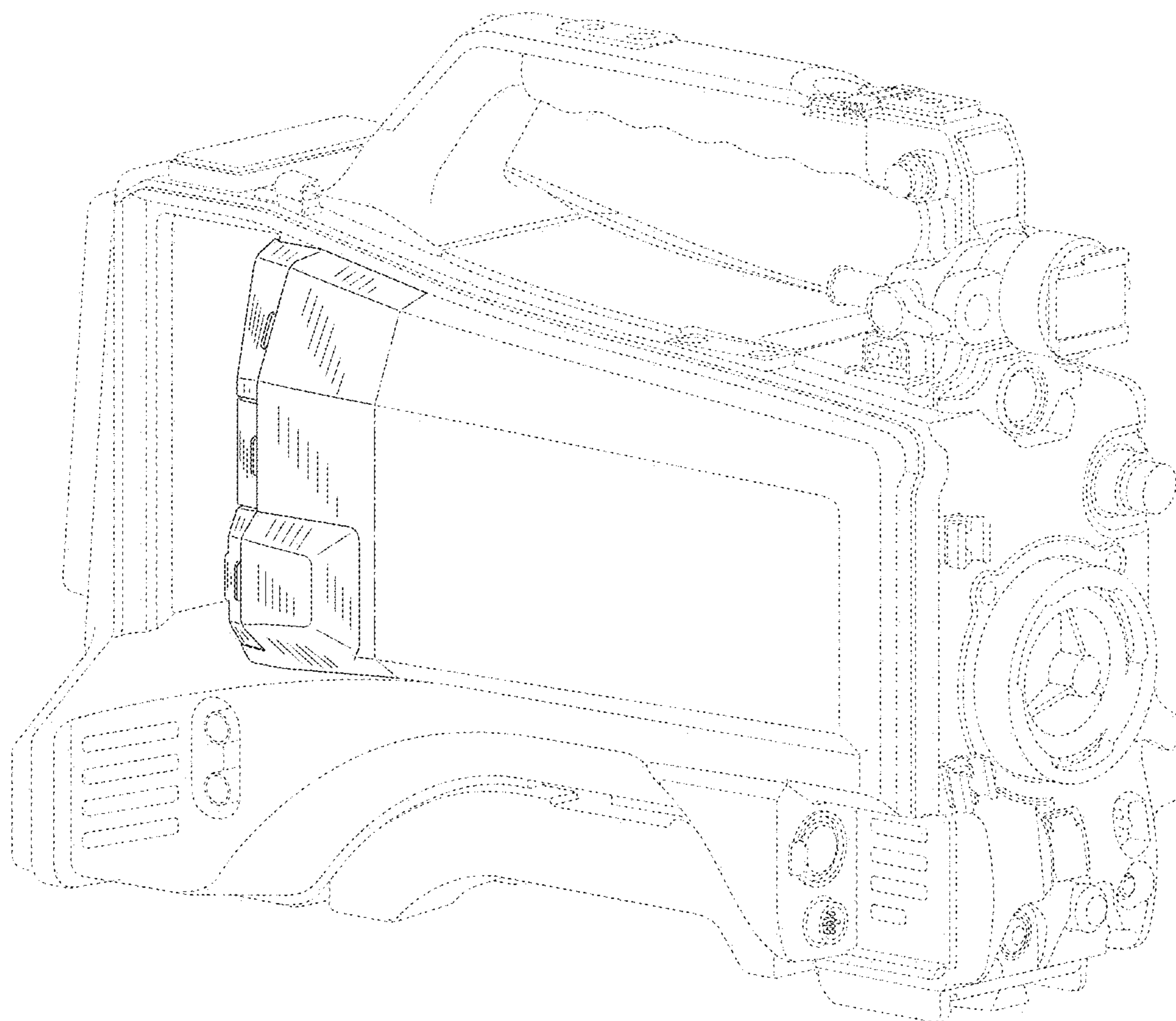


FIG. 4

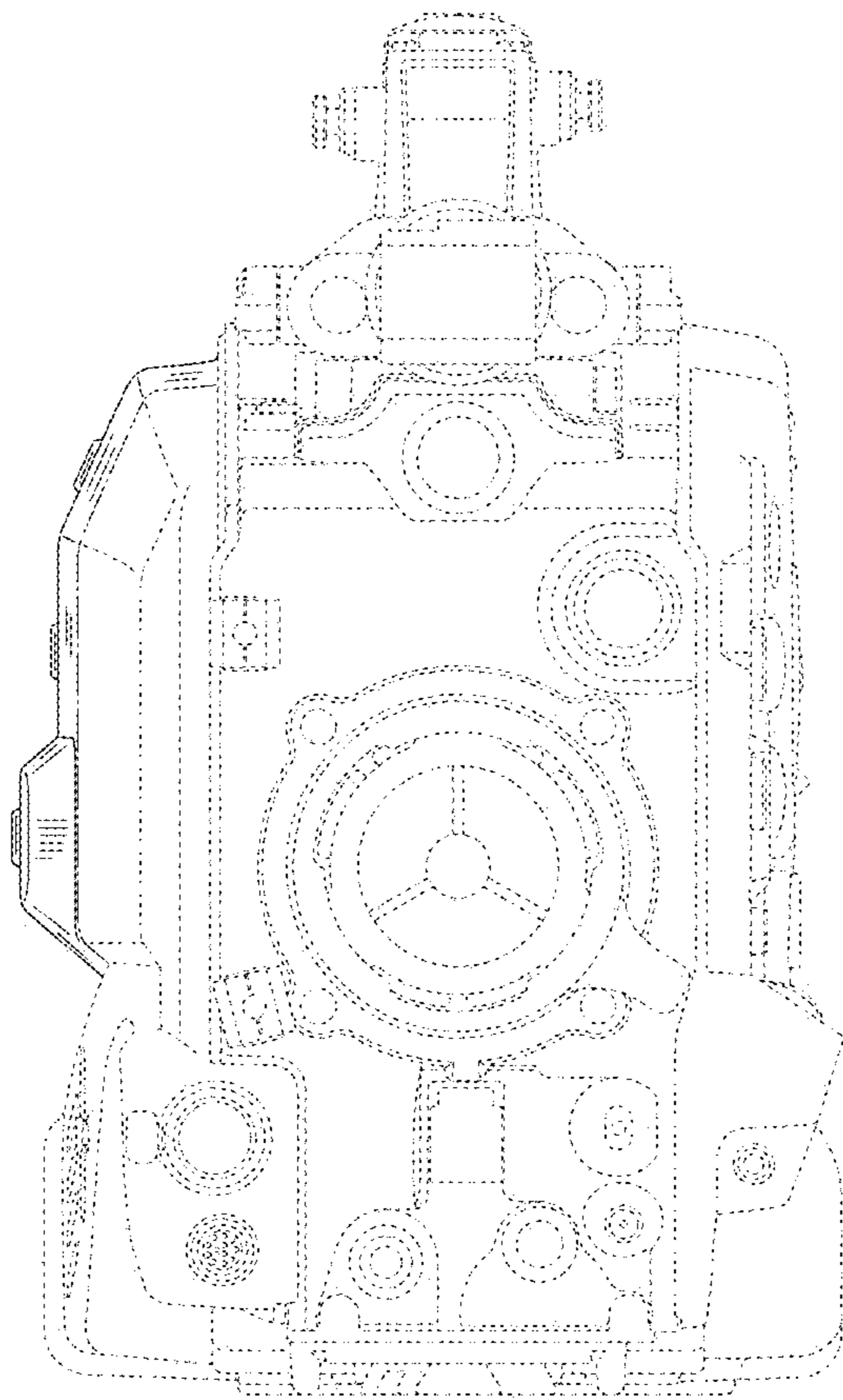


FIG. 5

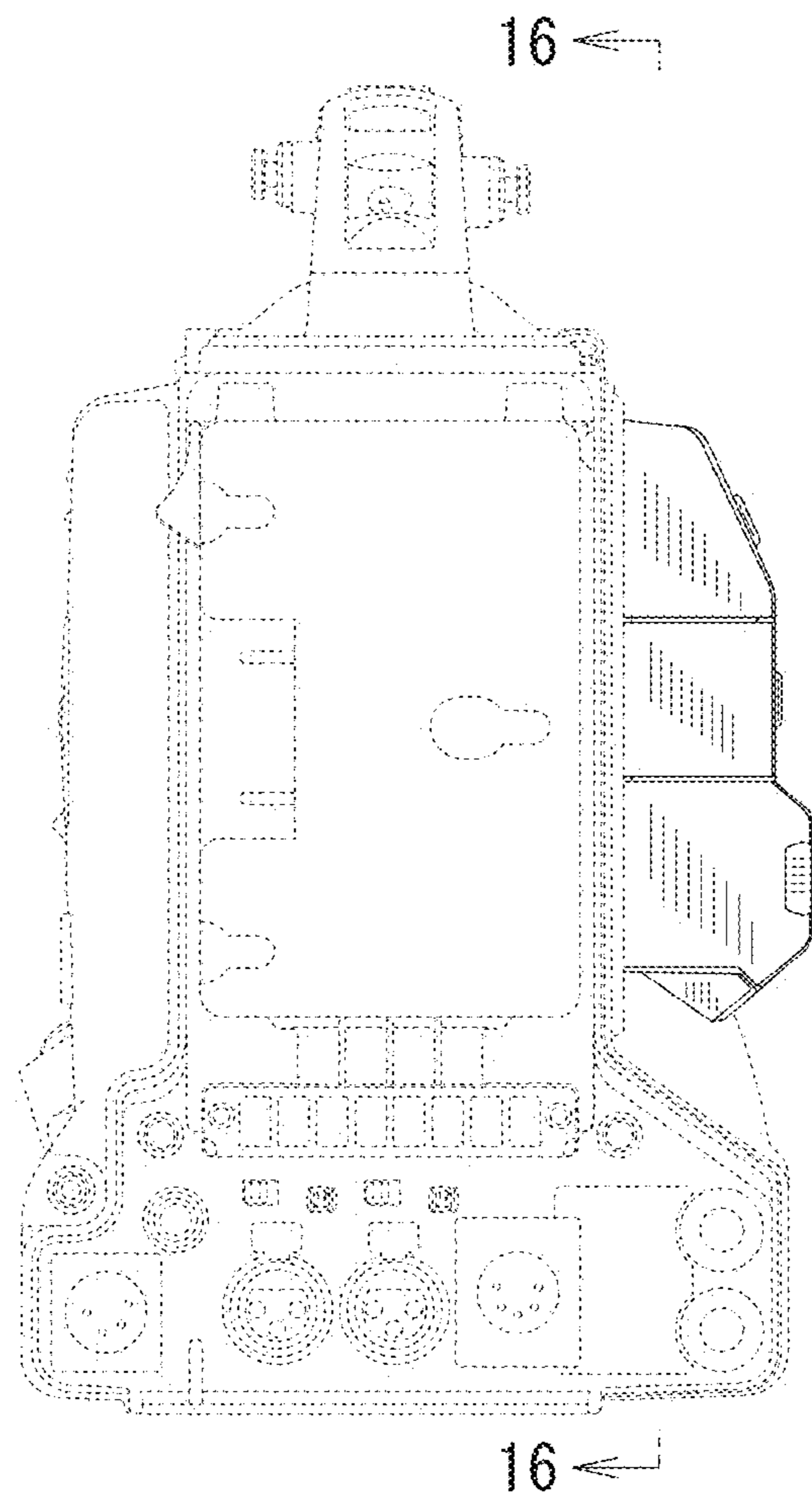


FIG. 6

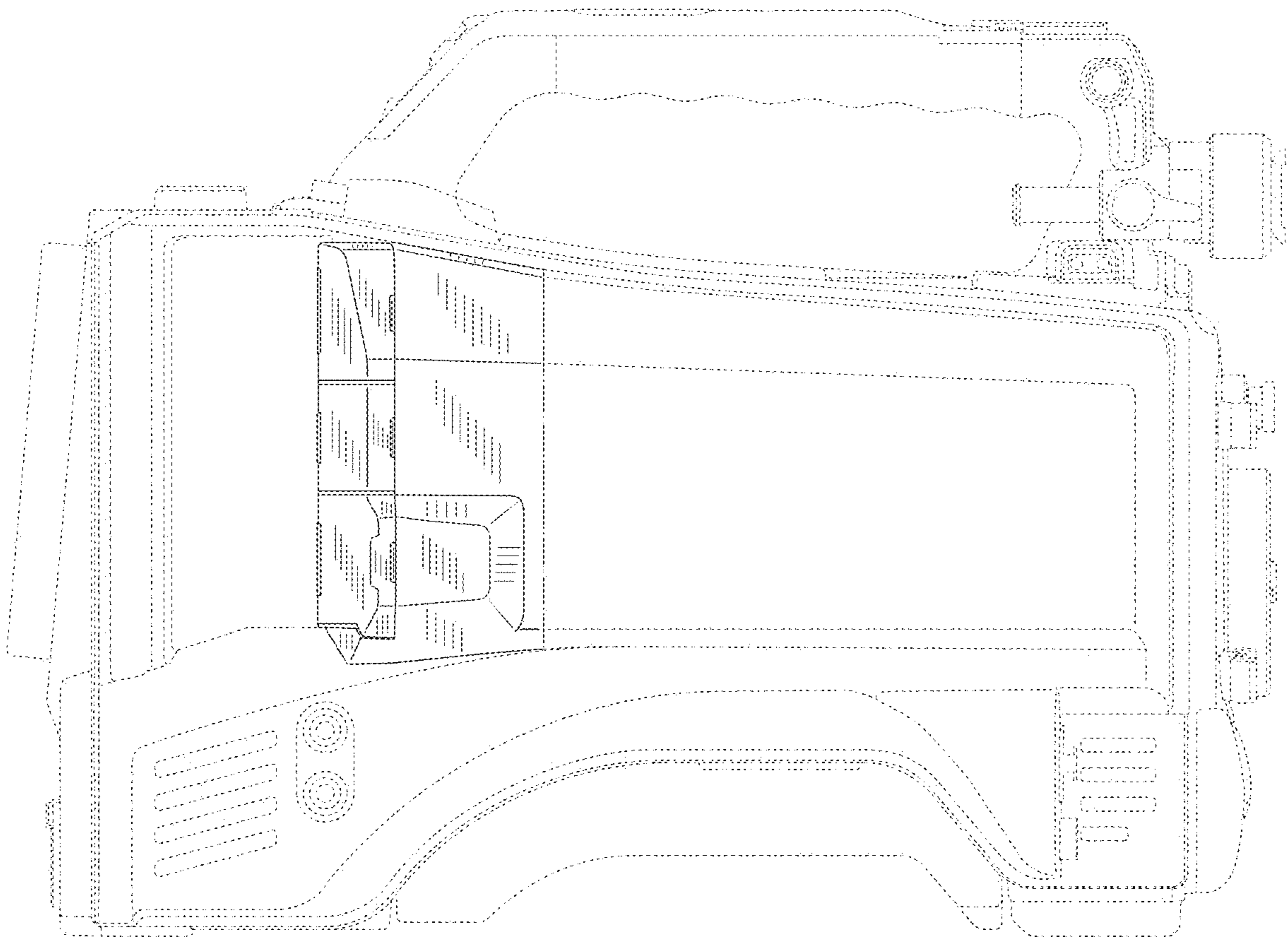


FIG. 7

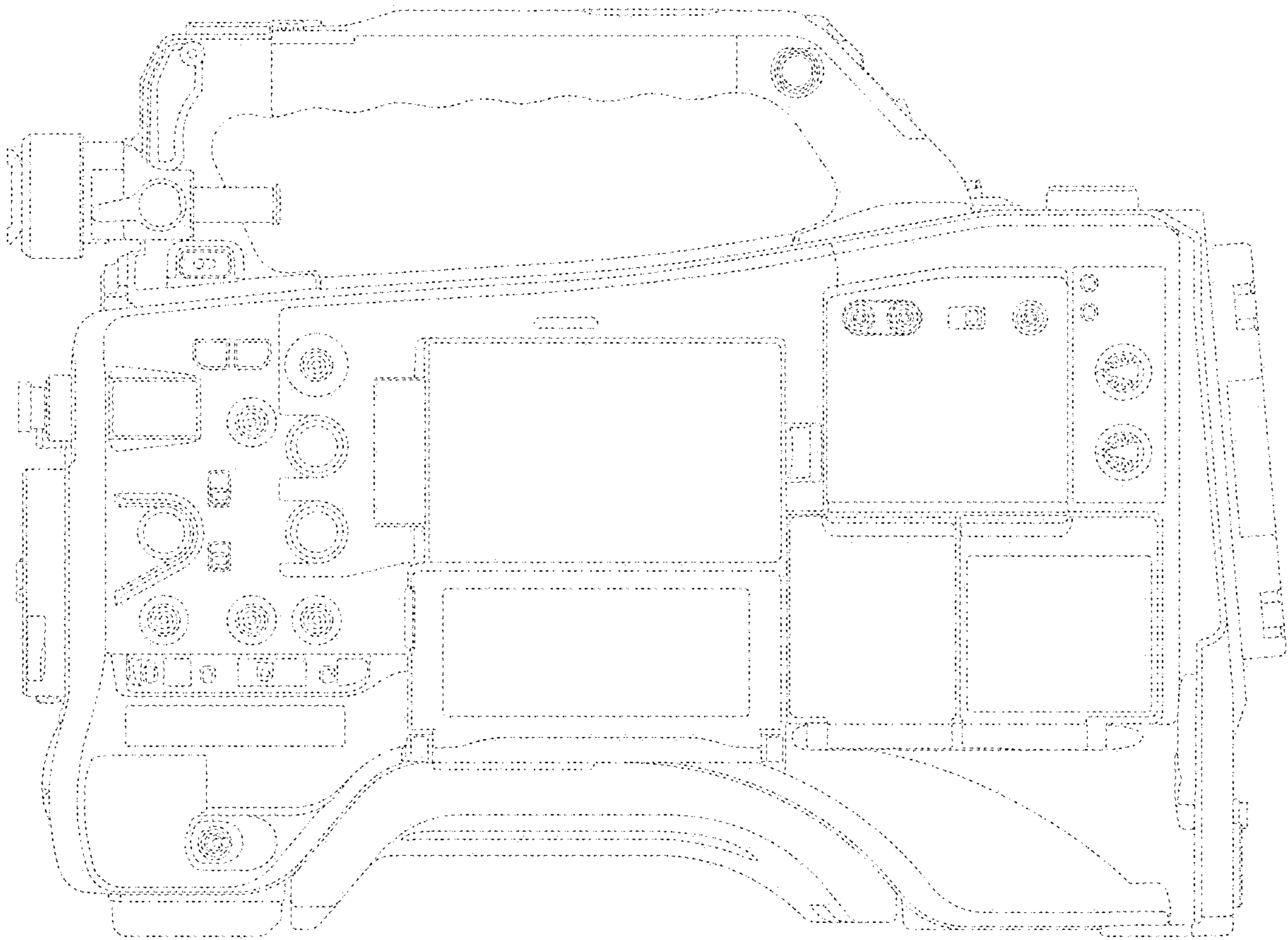


FIG. 8

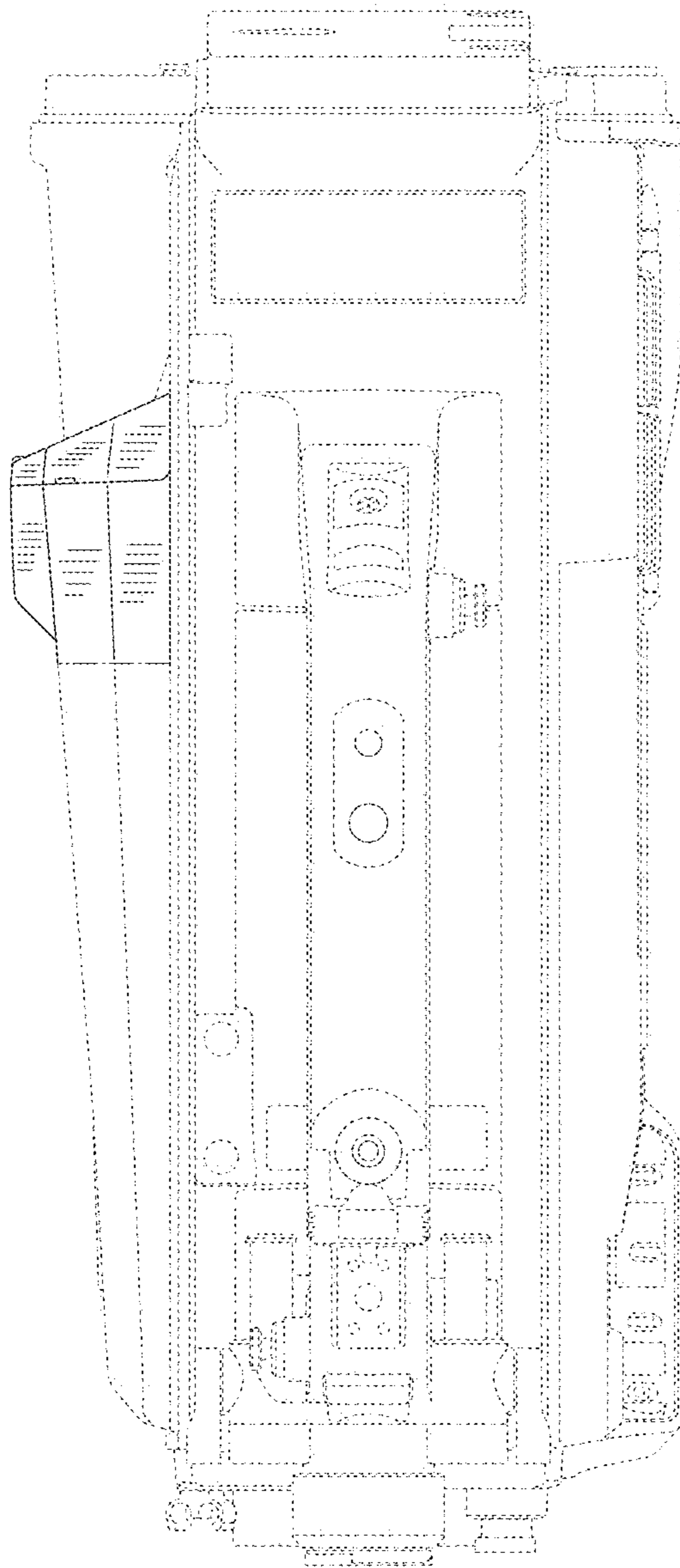


FIG. 9

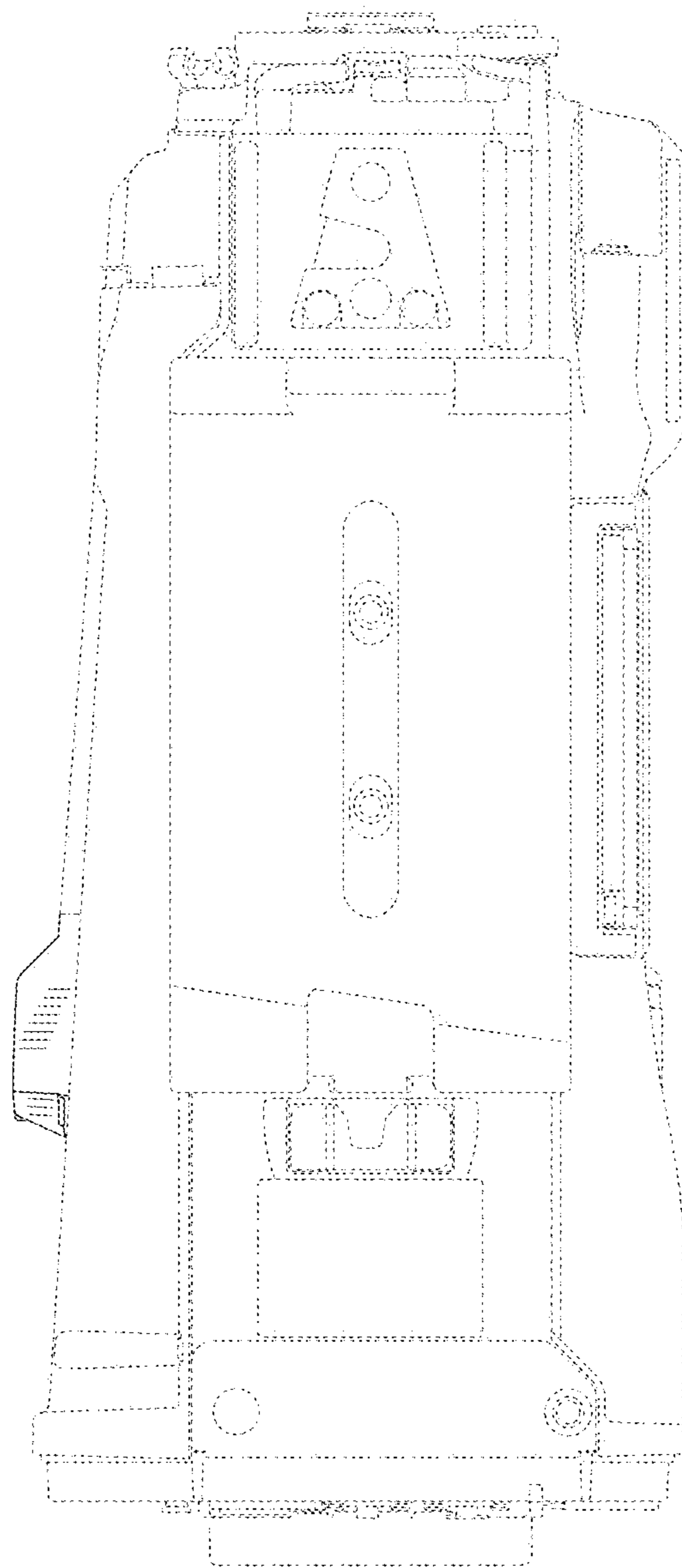


FIG. 10

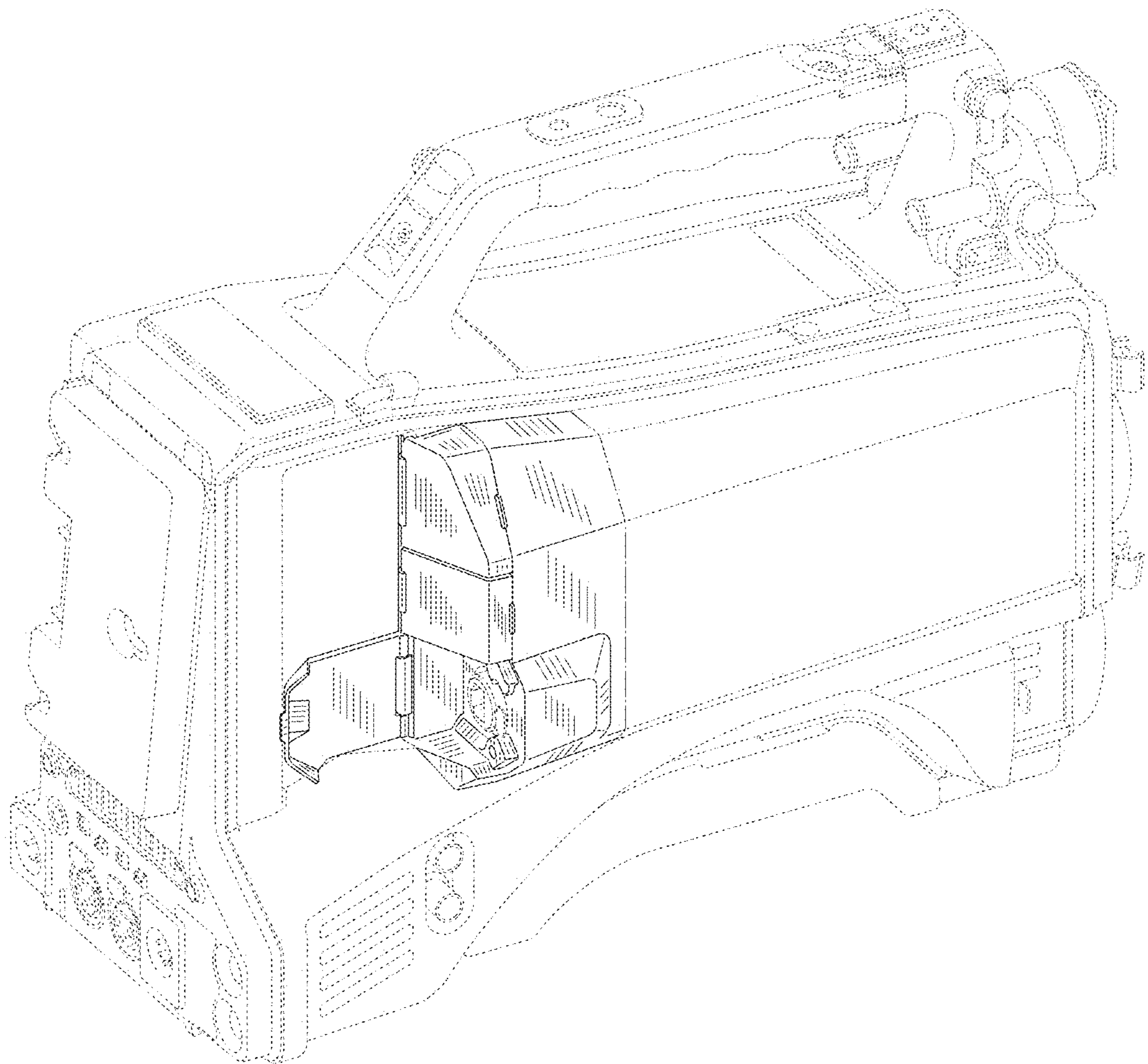


FIG. 11

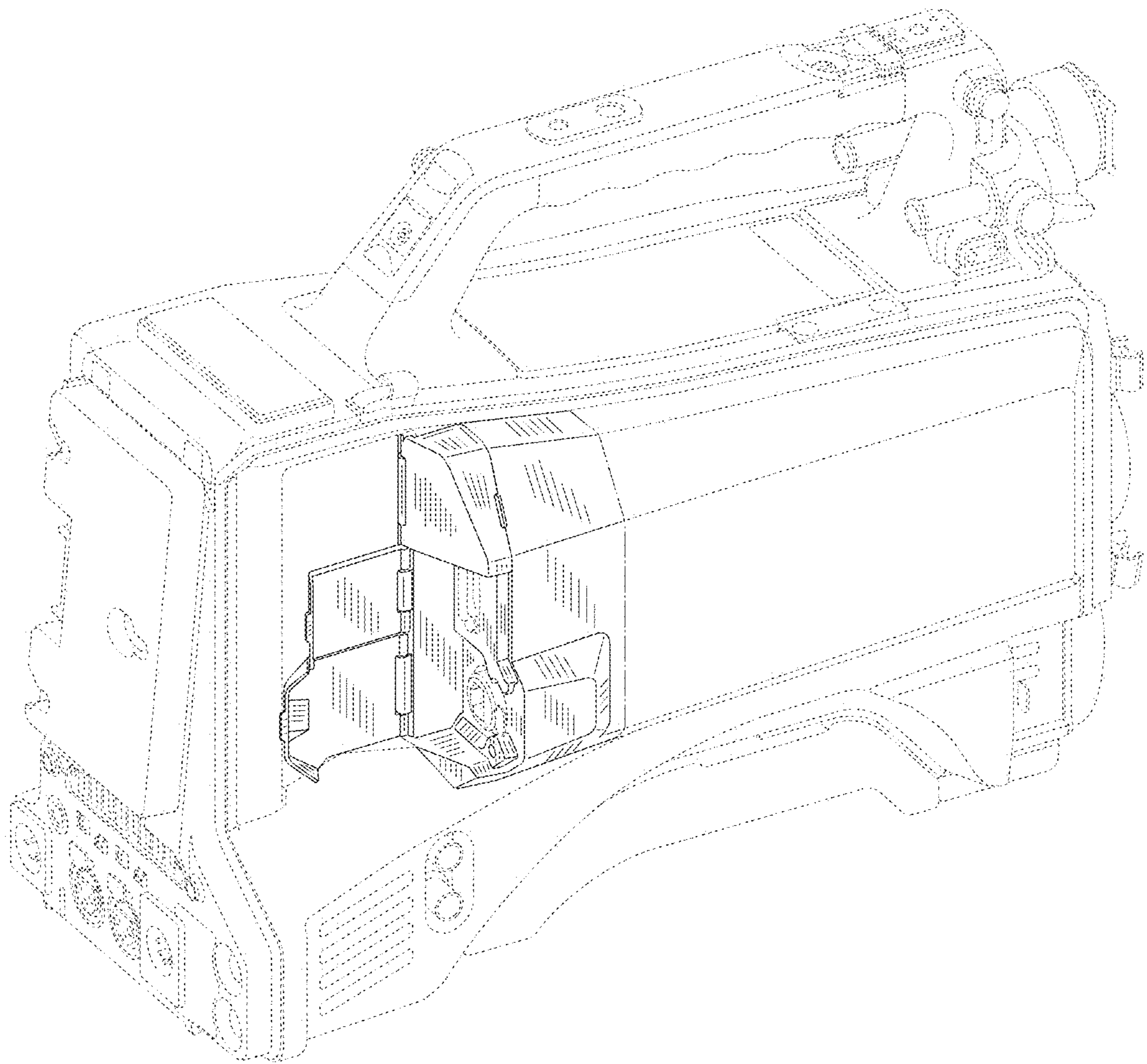


FIG. 12

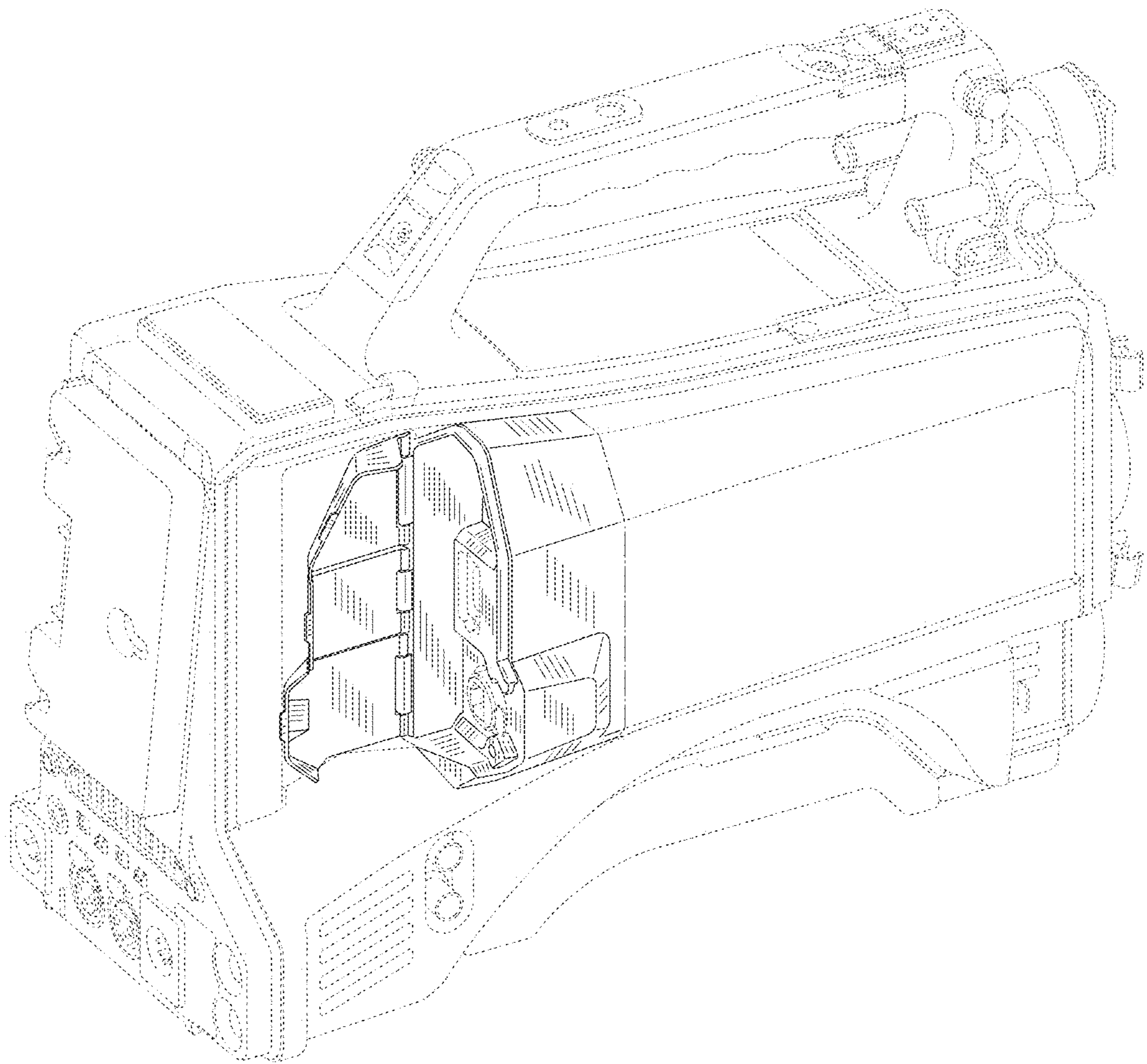


FIG. 13

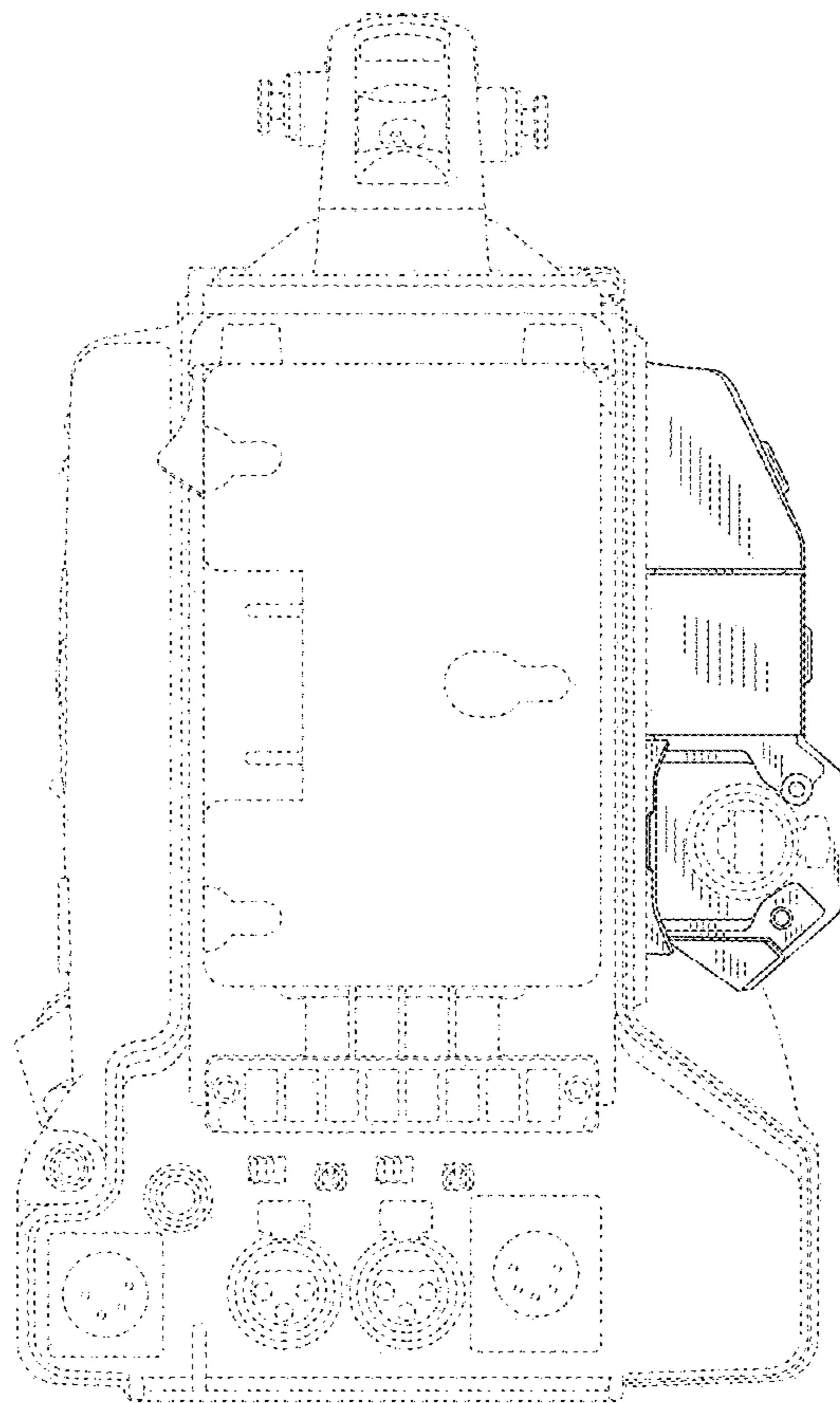


FIG. 14

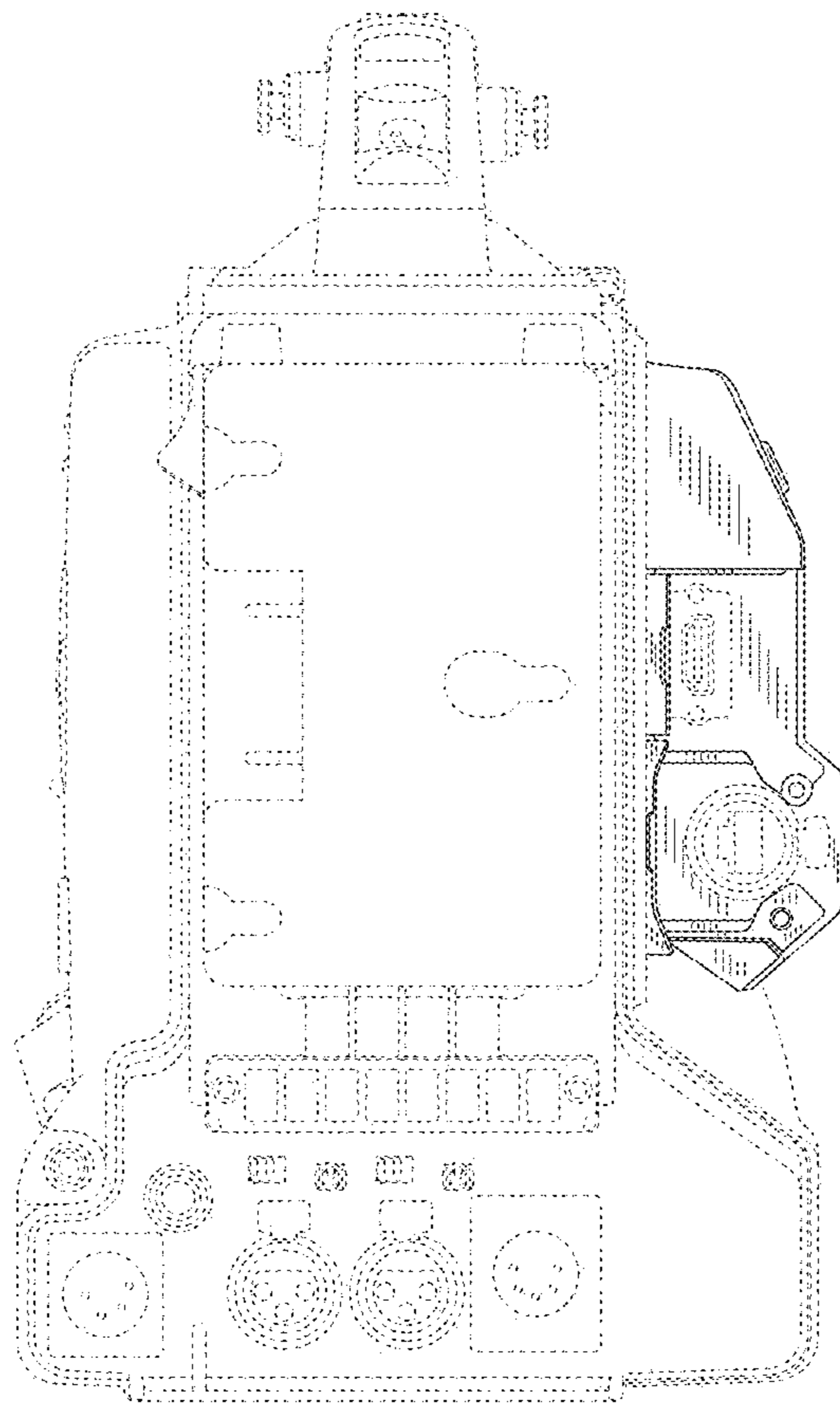


FIG. 15

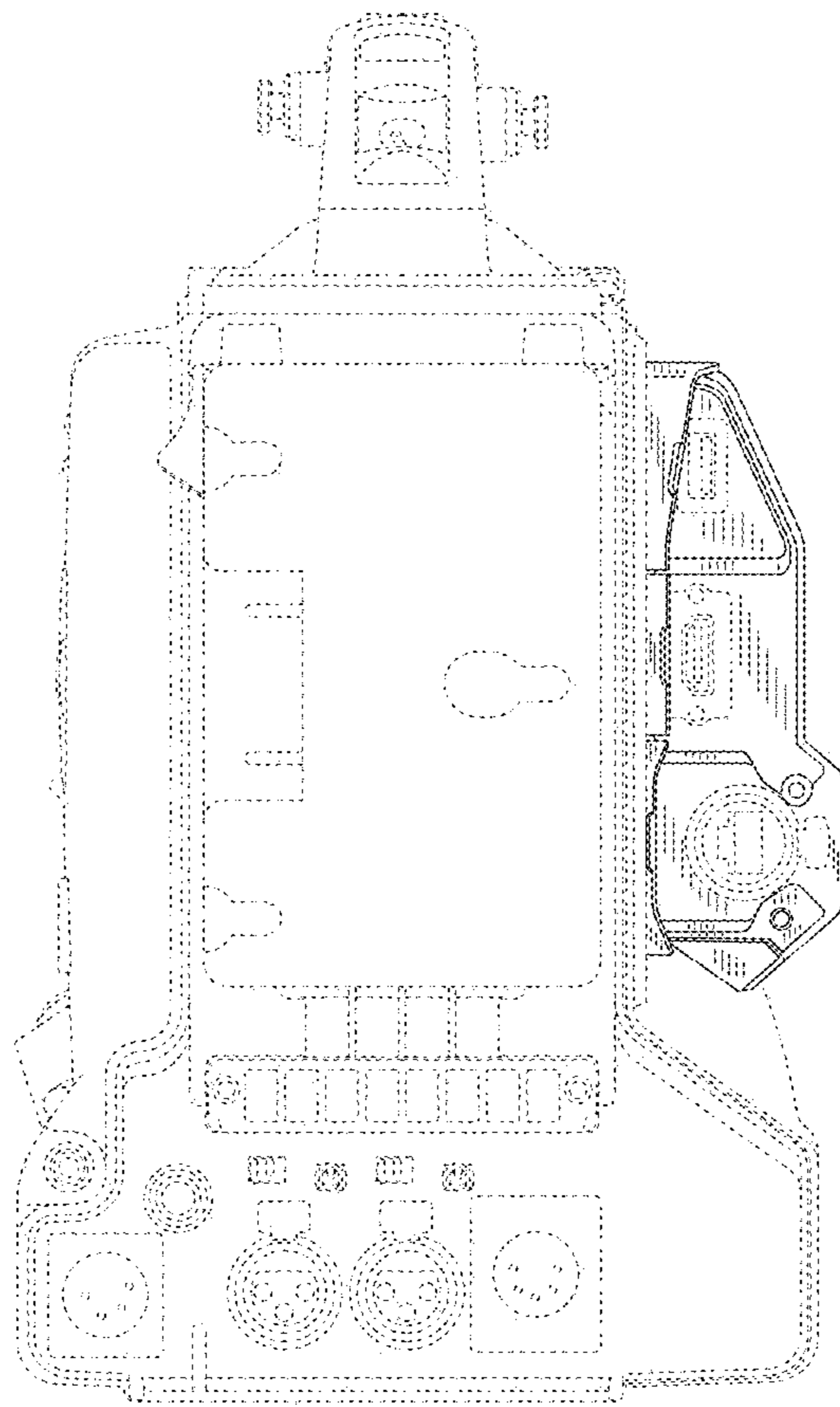


FIG. 16

