



US00D931354S

(12) **United States Design Patent**
Ye et al.

(10) **Patent No.:** **US D931,354 S**

(45) **Date of Patent:** **** Sep. 21, 2021**

(54) **TELESCOPE**

(71) Applicant: **THE NEW GENIUS(SZ)**
TECHNOLOGY CO., LIMITED,
Guangdong (CN)

(72) Inventors: **Jianrong Ye**, Guangdong (CN); **Dong Chen**, Guangdong (CN)

(73) Assignee: **THE NEW GENIUS(SZ)**
TECHNOLOGY CO., LIMITED,
Guangdong (CN)

(**) Term: **15 Years**

(21) Appl. No.: **29/694,714**

(22) Filed: **Jun. 13, 2019**

(51) **LOC (13) Cl.** **16-06**

(52) **U.S. Cl.**
USPC **D16/133**

(58) **Field of Classification Search**
USPC D16/130, 133, 136, 237
CPC G02B 23/00; G02B 23/18
See application file for complete search history.

(56) **References Cited**

U.S. PATENT DOCUMENTS

D412,921 S *	8/1999	Hayamizu	D16/133
D521,037 S *	5/2006	Swift	D16/133
D551,272 S *	9/2007	Fujii	D16/133
D590,856 S *	4/2009	Hayamizu	D16/133
D590,857 S *	4/2009	Fujii	D16/133
D627,378 S *	11/2010	Watanabe	D16/133
D660,895 S *	5/2012	Fischbach	D16/133

D662,119 S *	6/2012	Hoshi	D16/133
D681,709 S *	5/2013	Radau	D16/133
D684,202 S *	6/2013	Radau	D16/133
D687,081 S *	7/2013	Radau	D16/133
D693,867 S *	11/2013	Radau	D16/133
D716,859 S *	11/2014	Nakajima	D16/133
D780,243 S *	2/2017	Marsiglia	D16/133
D867,416 S *	11/2019	Radau	D16/133
D896,292 S *	9/2020	Ushio	D16/133

* cited by examiner

Primary Examiner — Holly E Thurman

(74) *Attorney, Agent, or Firm* — JCIP Global Inc.

(57) **CLAIM**

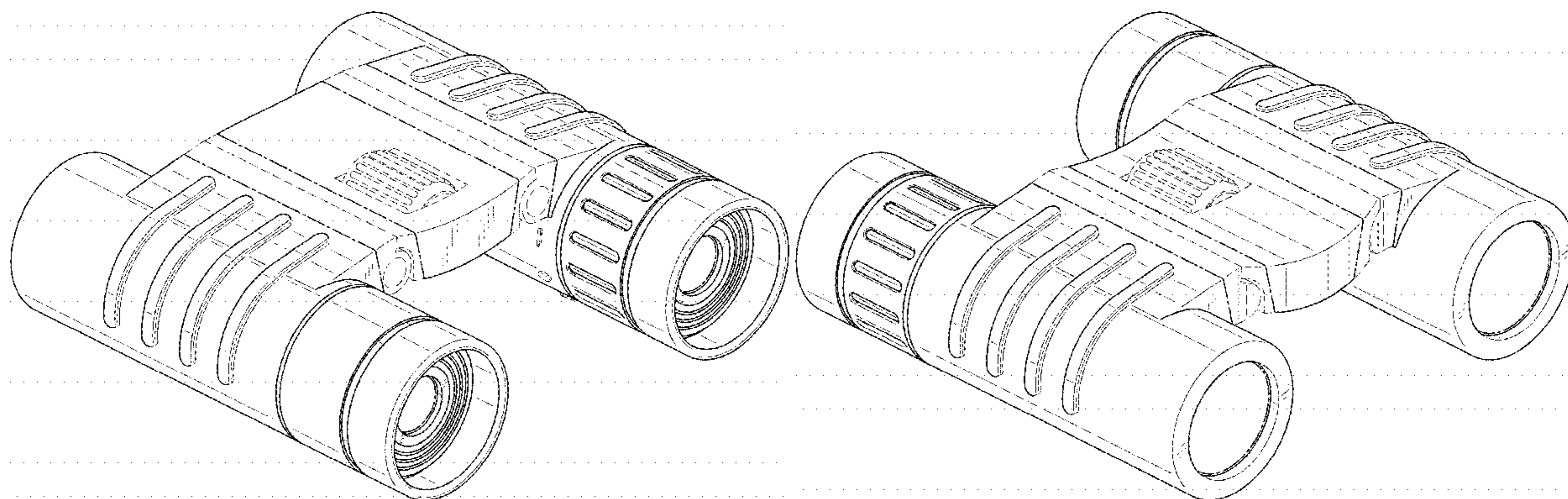
The ornamental design for a telescope, as shown and described.

DESCRIPTION

FIG. 1 is a first perspective view of a telescope showing our new design;
FIG. 2 is a second perspective view thereof;
FIG. 3 is a third perspective view thereof;
FIG. 4 is a fourth perspective view thereof;
FIG. 5 is a front view thereof;
FIG. 6 is a rear view thereof;
FIG. 7 is a left side view thereof;
FIG. 8 is a right side view thereof;
FIG. 9 is a top view thereof; and,
FIG. 10 is a bottom view thereof.

The broken lines shown in the views are for the purpose of illustrating unclaimed subject matter only and form no part of the claimed design. The dash-dotted lines denote the boundary of the claim and form no part of the claimed design.

1 Claim, 8 Drawing Sheets



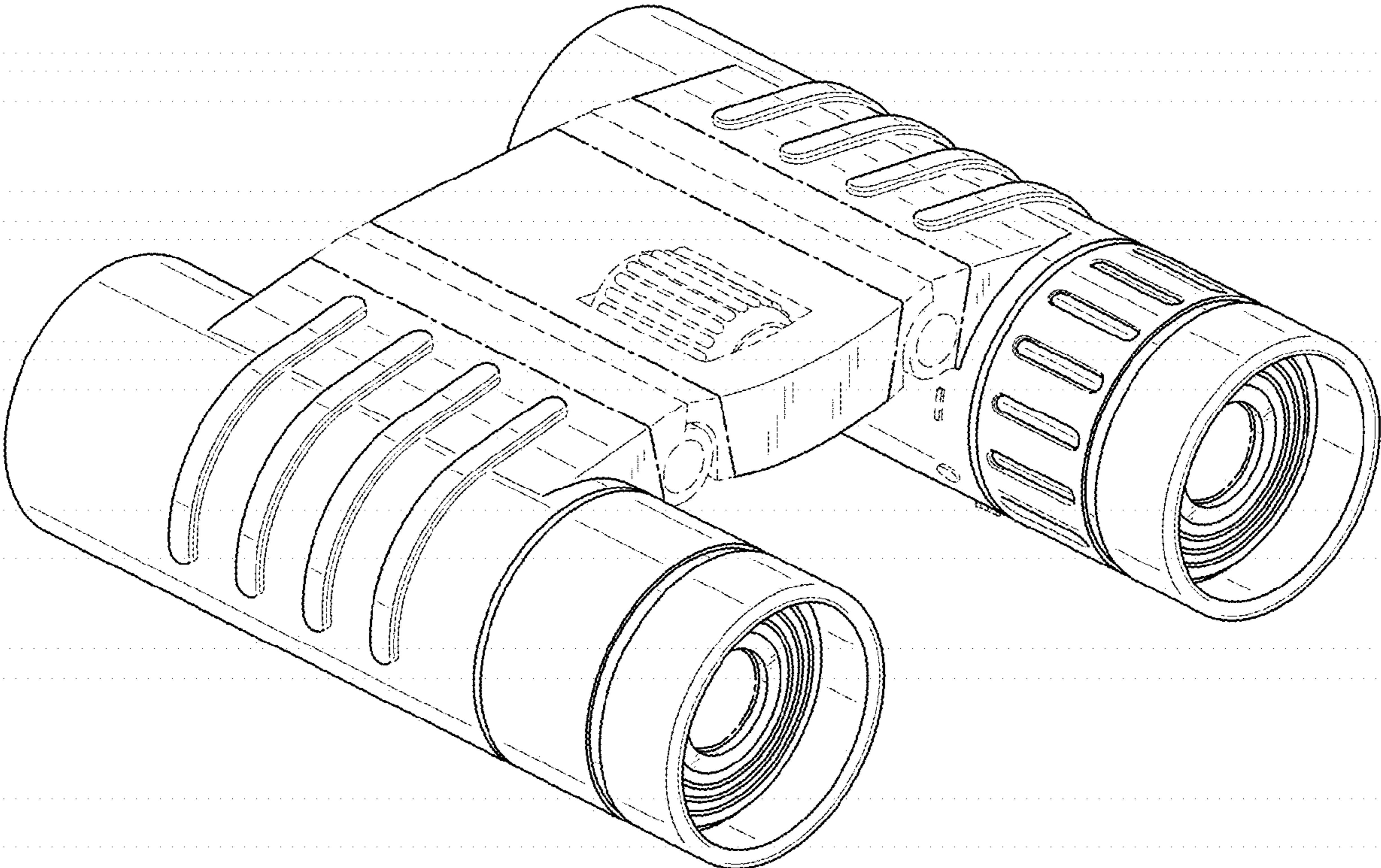


FIG. 1

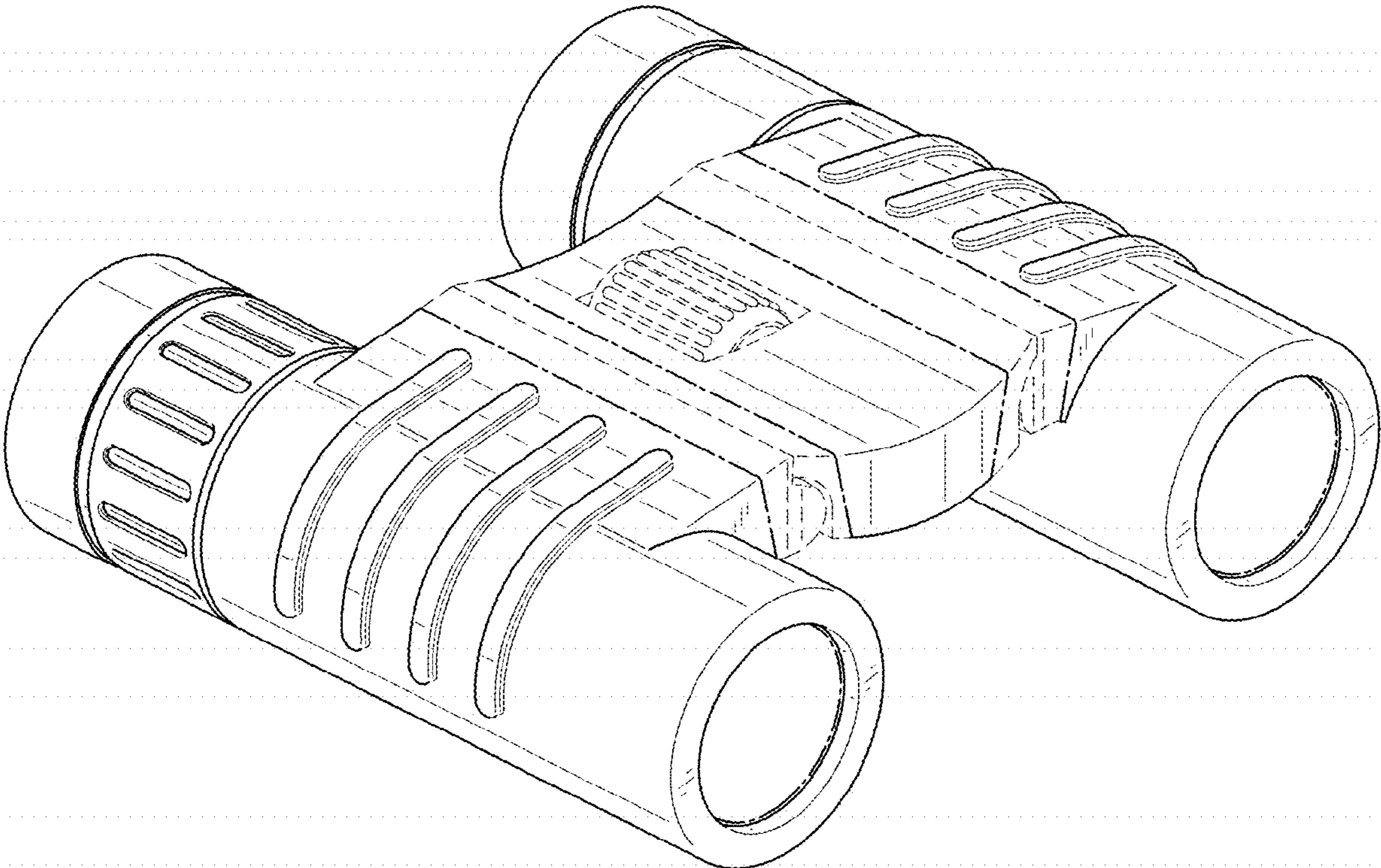


FIG. 2

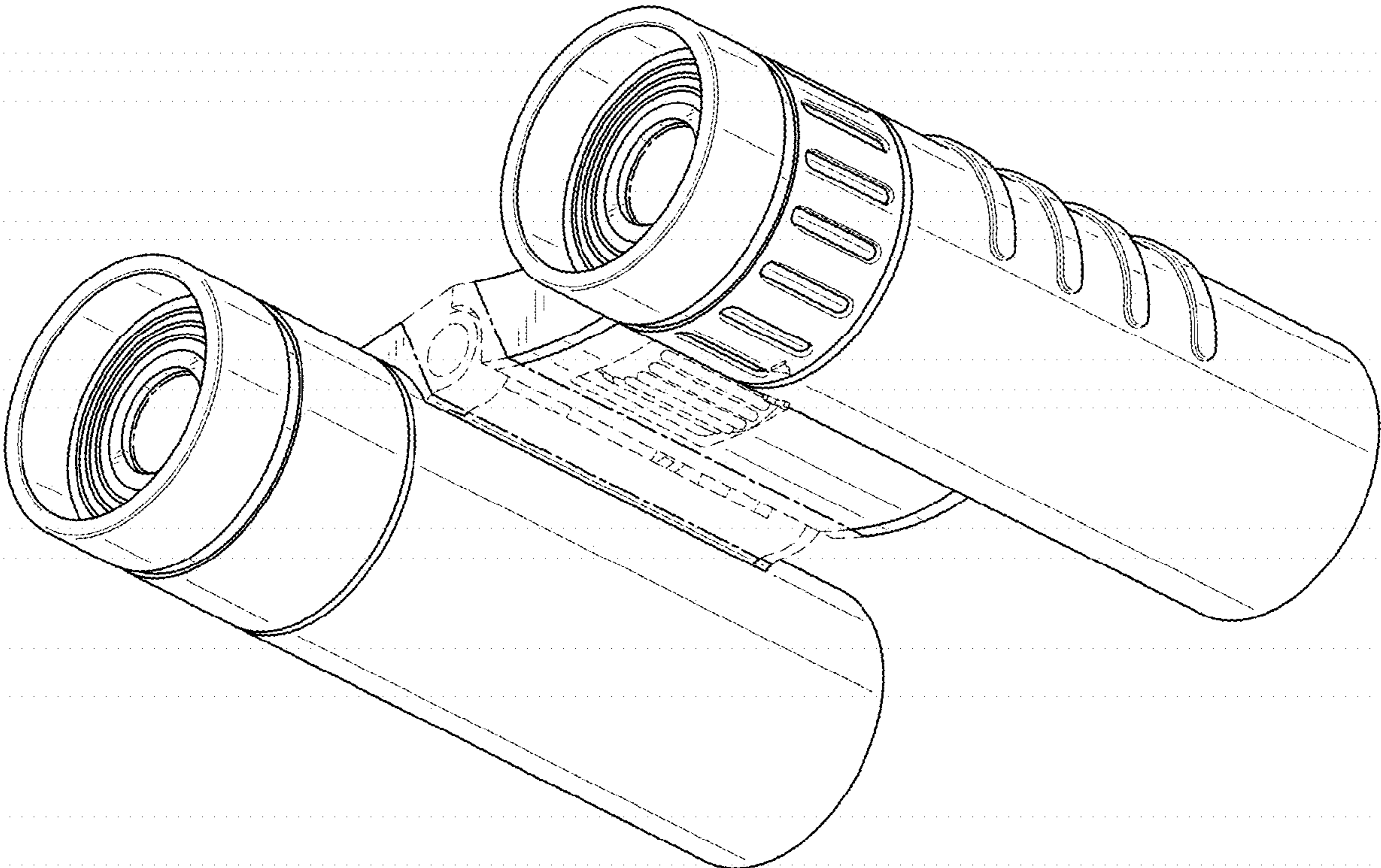


FIG. 3

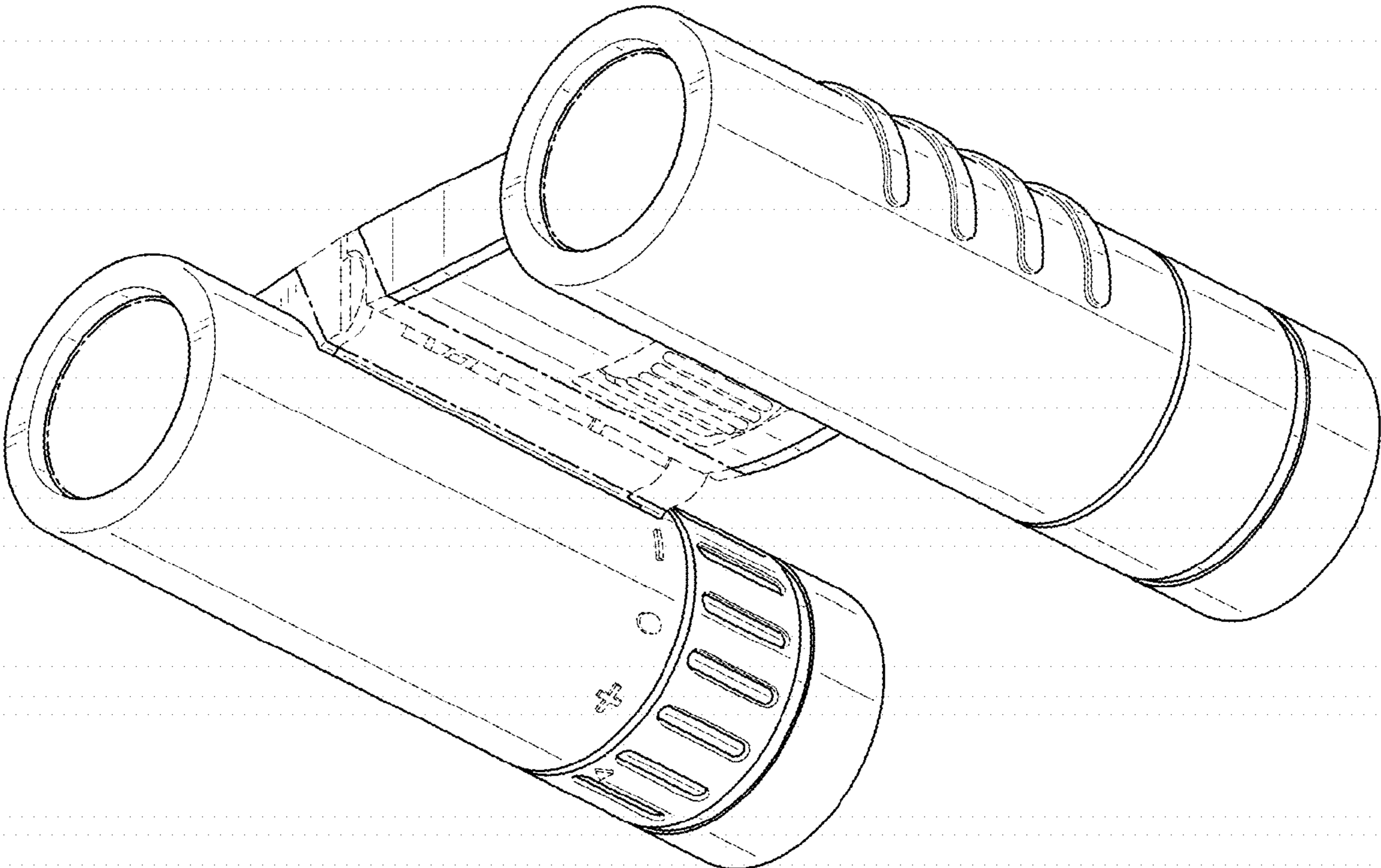


FIG. 4

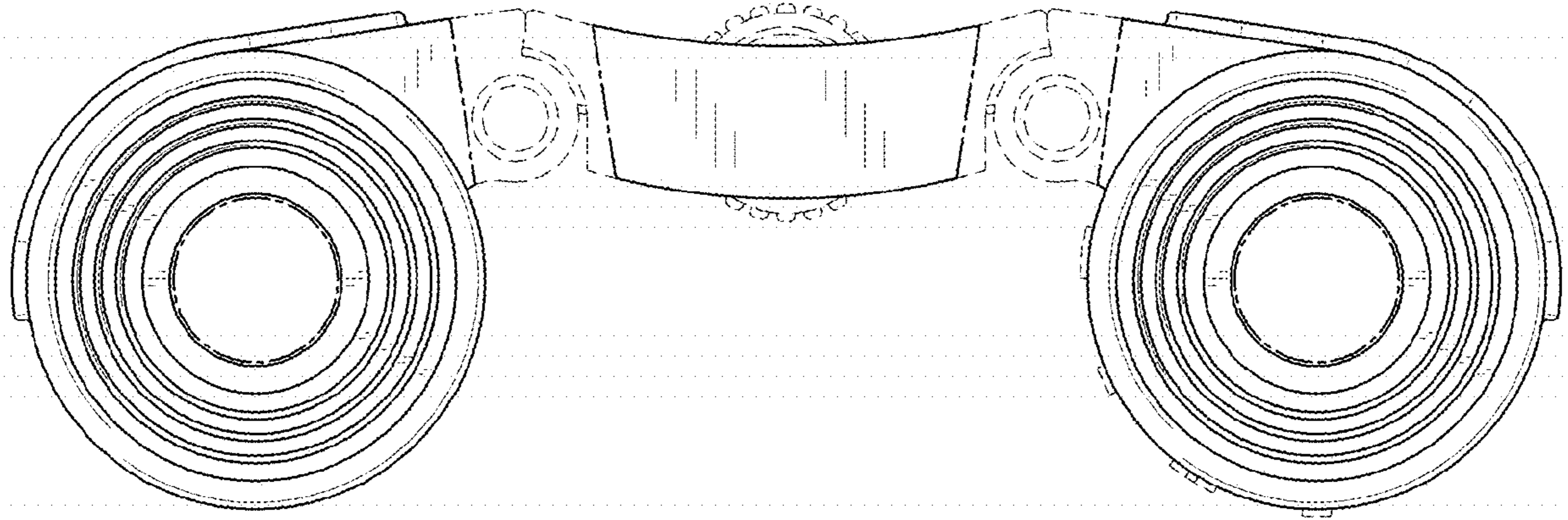


FIG. 5

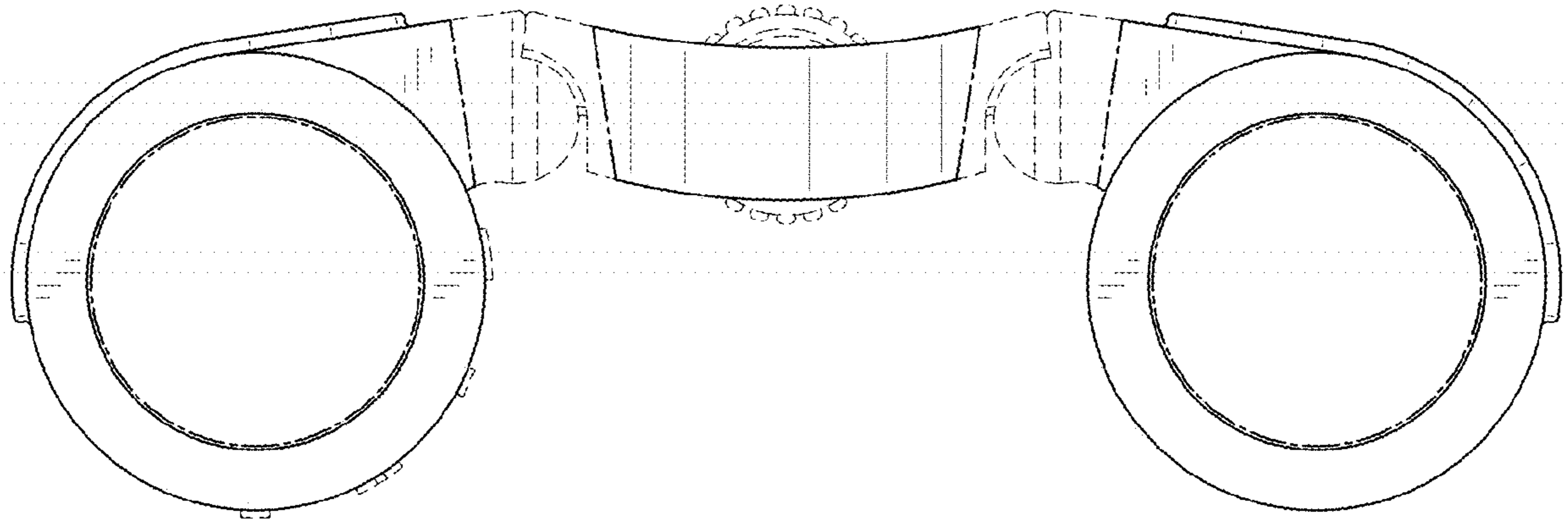


FIG. 6

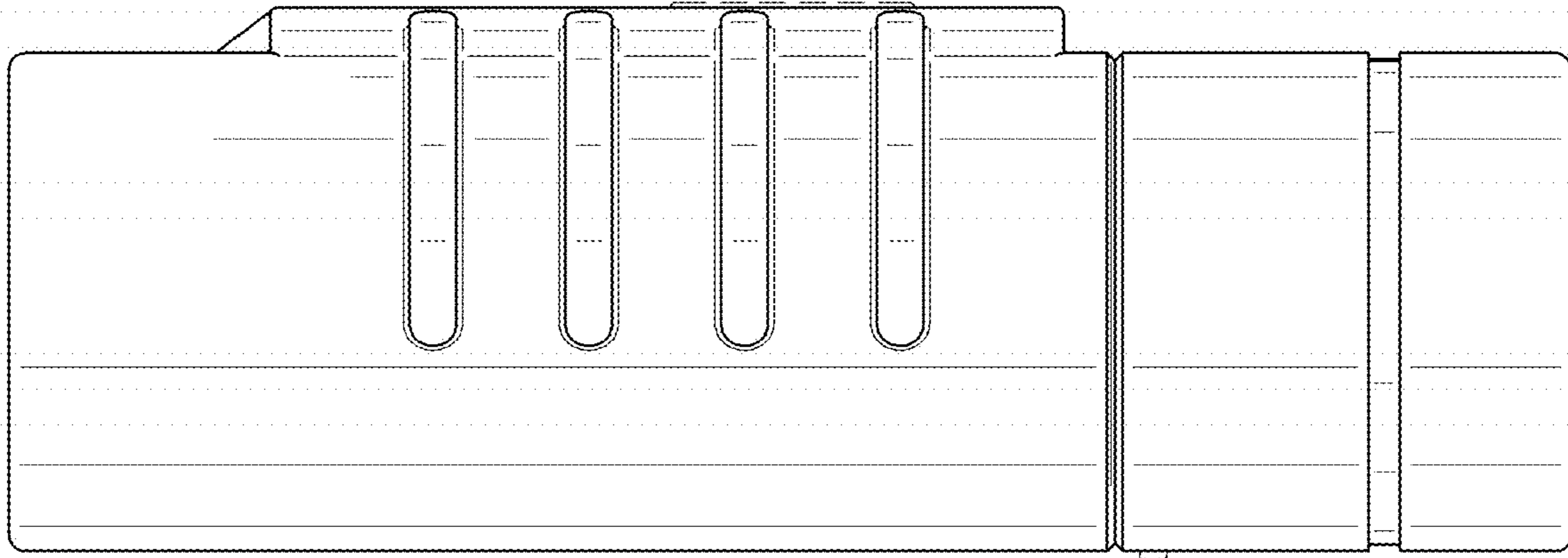


FIG. 7

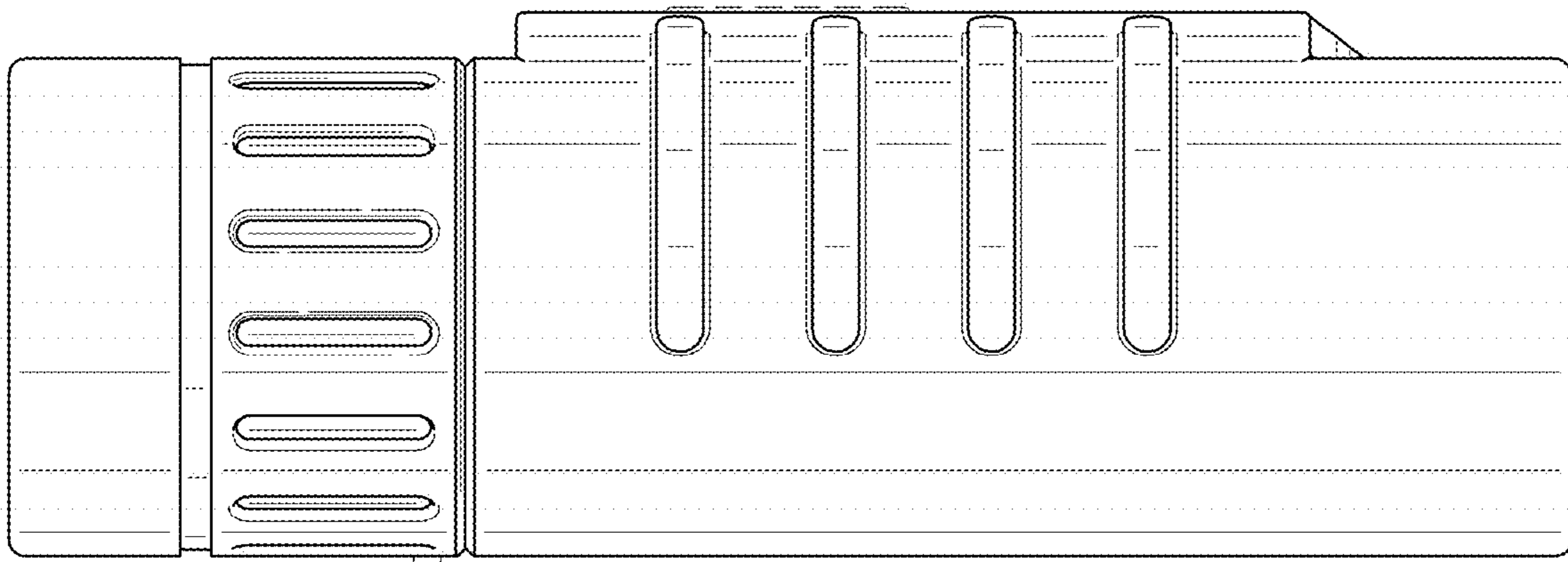


FIG. 8

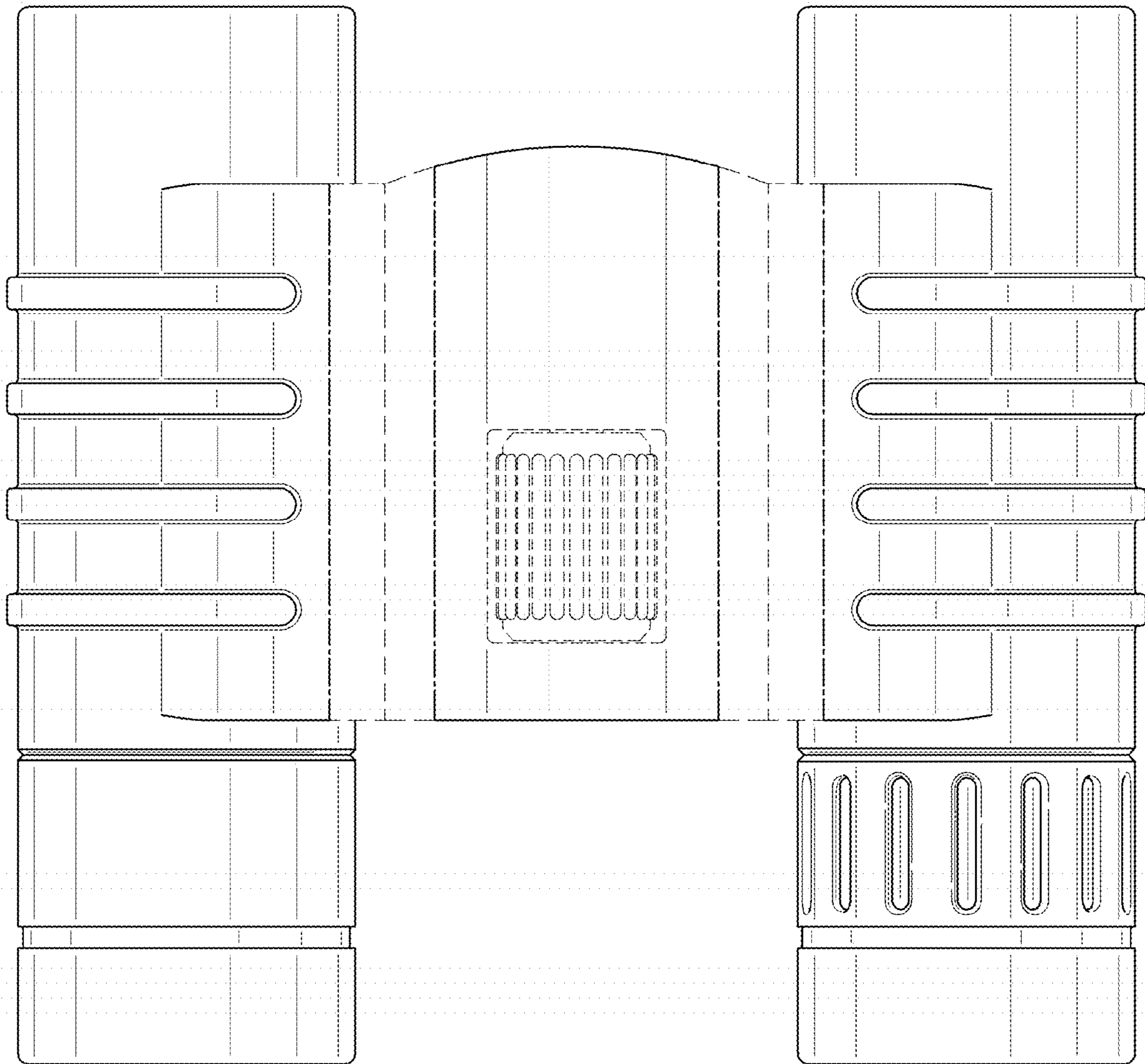


FIG. 9

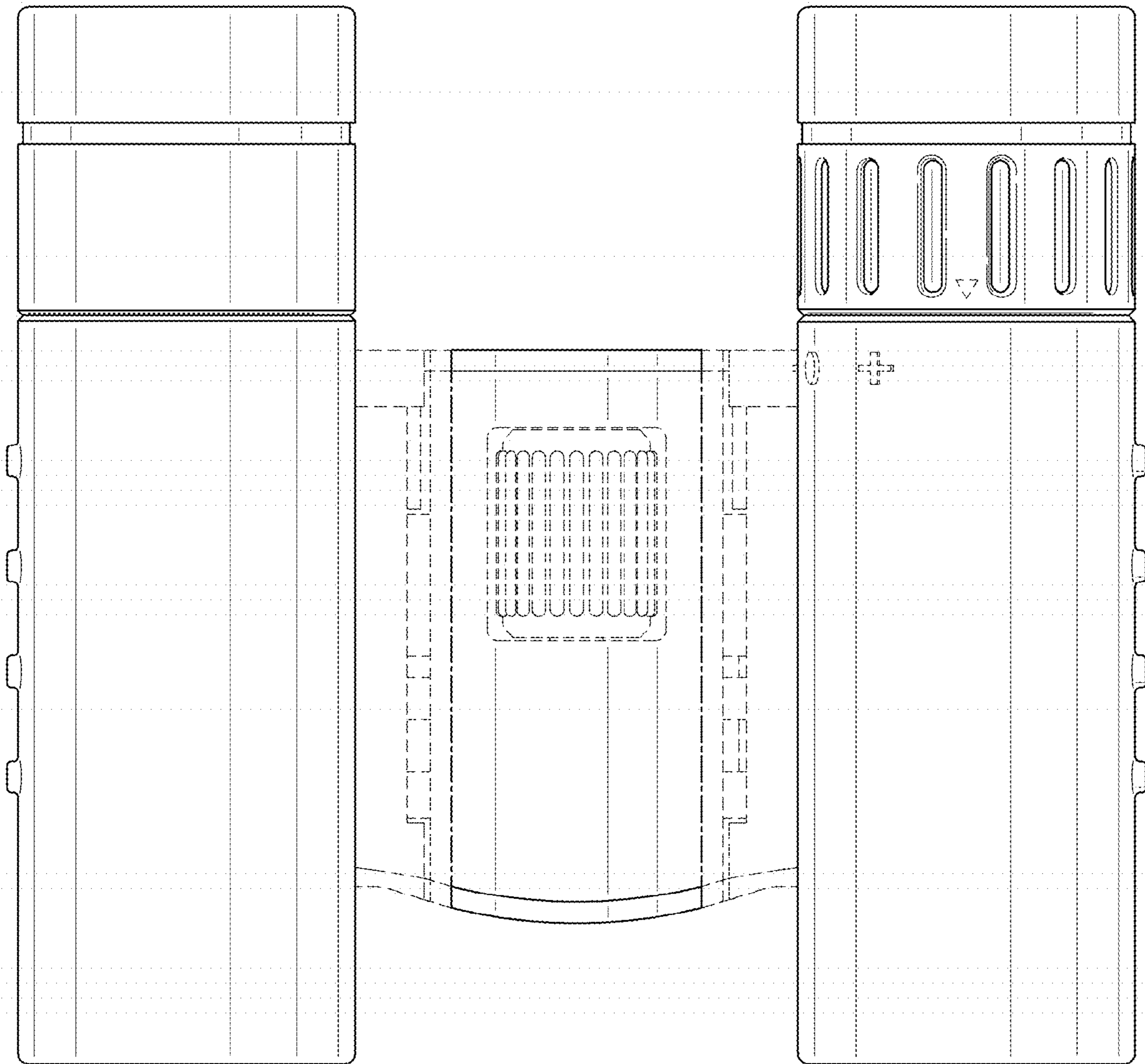


FIG. 10