



US00D931353S

(12) **United States Design Patent**
Kuchler

(10) **Patent No.:** **US D931,353 S**

(45) **Date of Patent:** **** Sep. 21, 2021**

(54) **NIGHT VISION DEVICE**

(71) Applicant: **Leica Camera AG, Wetzlar (DE)**

(72) Inventor: **Marcus Kuchler, Munich (DE)**

(73) Assignee: **Leica Camera AG, Wetzlar (DE)**

(**) Term: **15 Years**

(21) Appl. No.: **29/747,369**

(22) Filed: **Aug. 21, 2020**

(30) **Foreign Application Priority Data**

Mar. 4, 2020 (EM) 007733894-0001

(51) **LOC (13) Cl.** **16-06**

(52) **U.S. Cl.**
USPC **D16/132**

(58) **Field of Classification Search**
USPC D16/132, 133, 130, 131; D22/100, 108,
D22/109; D10/74, 103, 66
CPC ... G01C 3/00; G01C 3/02; G01C 3/04; G01C
3/06; G01C 3/08; G01C 3/085; G01C
3/10; G01C 3/12; G01C 3/16; G01C
3/18; G01C 3/20

See application file for complete search history.

(56) **References Cited**

U.S. PATENT DOCUMENTS

D550,263 S * 9/2007 Zhou D16/132
D571,386 S * 6/2008 Lipsiner D16/131
D572,740 S * 7/2008 Kitera D16/132

D675,239 S * 1/2013 Wunnicke D16/132
D695,326 S * 12/2013 Hoelbl D16/132
D695,327 S * 12/2013 Hoelbl D16/132
D724,129 S * 3/2015 Marsiglia D16/132
D731,571 S * 6/2015 Imamizu D16/132
D774,158 S * 12/2016 Cheng D22/109
D815,676 S * 4/2018 Perry D16/132
D816,795 S * 5/2018 Vogl D22/109
D817,376 S * 5/2018 Vogl D16/132
D818,512 S * 5/2018 Masegg D16/132
D848,499 S * 5/2019 Siminou D16/132
D872,220 S * 1/2020 Vogl D22/109
D903,735 S * 12/2020 Chen D16/132
D910,102 S * 2/2021 Hamilton D16/132

* cited by examiner

Primary Examiner — Mark A Goodwin

Assistant Examiner — Benjamin M Weeks

(74) *Attorney, Agent, or Firm* — Schlee IP International,
PC; Alexander R. Schlee; Pascal A. Schlee

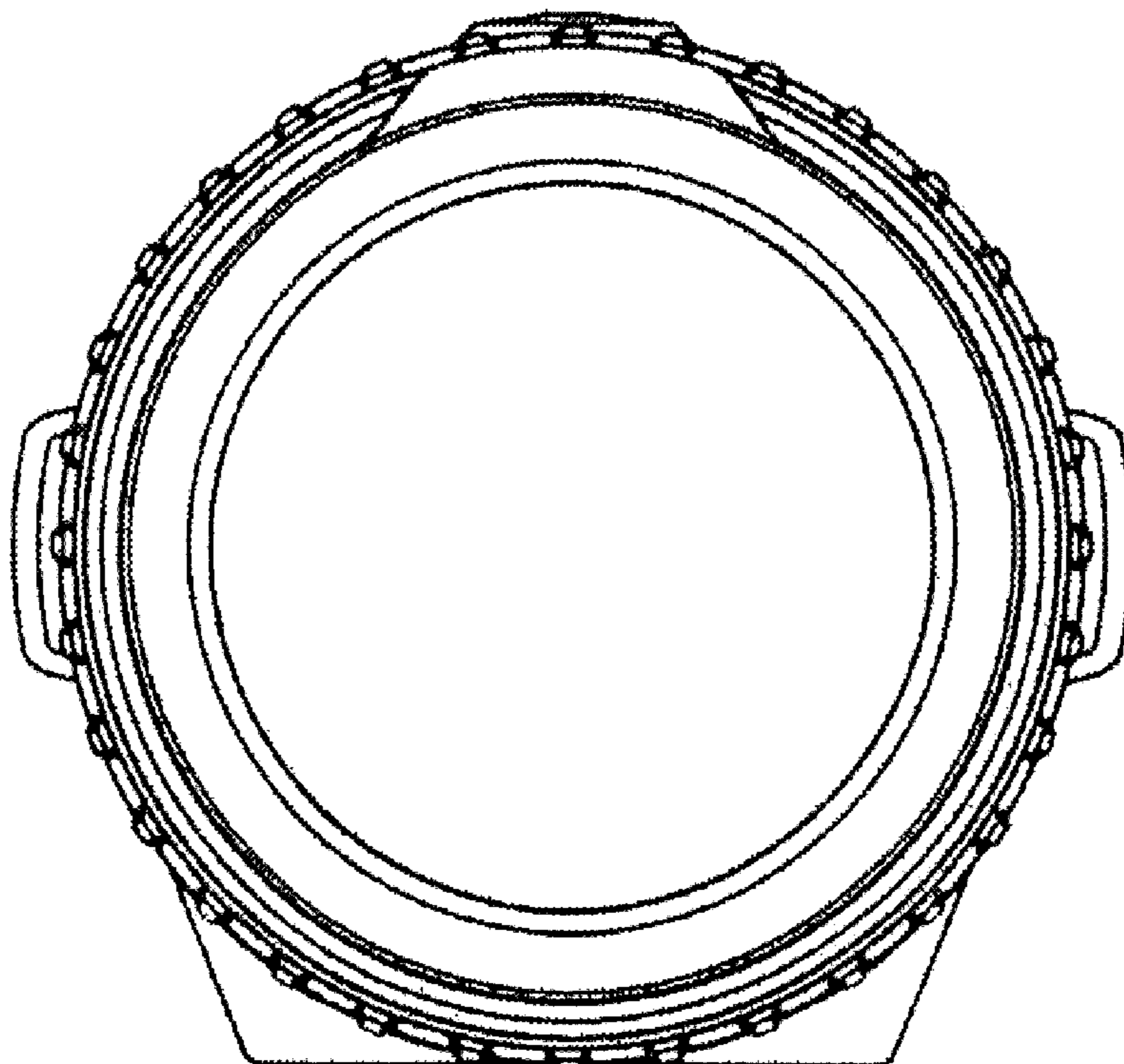
(57) **CLAIM**

The ornamental design for the night vision device, as shown and described.

DESCRIPTION

FIG. 1 is a front view of a night vision device;
FIG. 2 is a rear view of the night vision device;
FIG. 3 is a top view of the night vision device;
FIG. 4 is a bottom view of the night vision device;
FIG. 5 is a left side view of the night vision device;
FIG. 6 is a right side view of the night vision device; and,
FIG. 7 is a front perspective view of the night vision device.

1 Claim, 7 Drawing Sheets



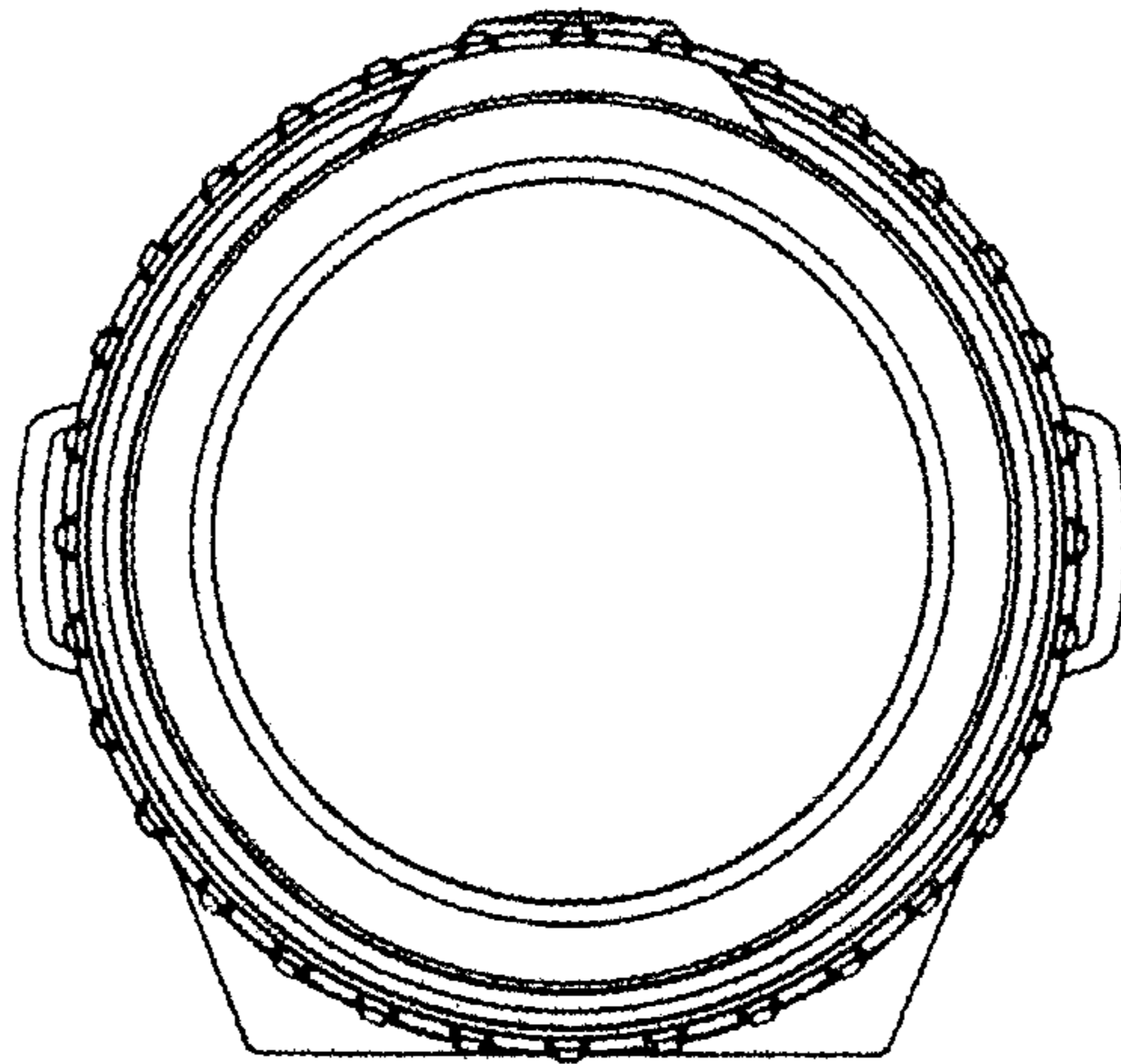


Fig. 1

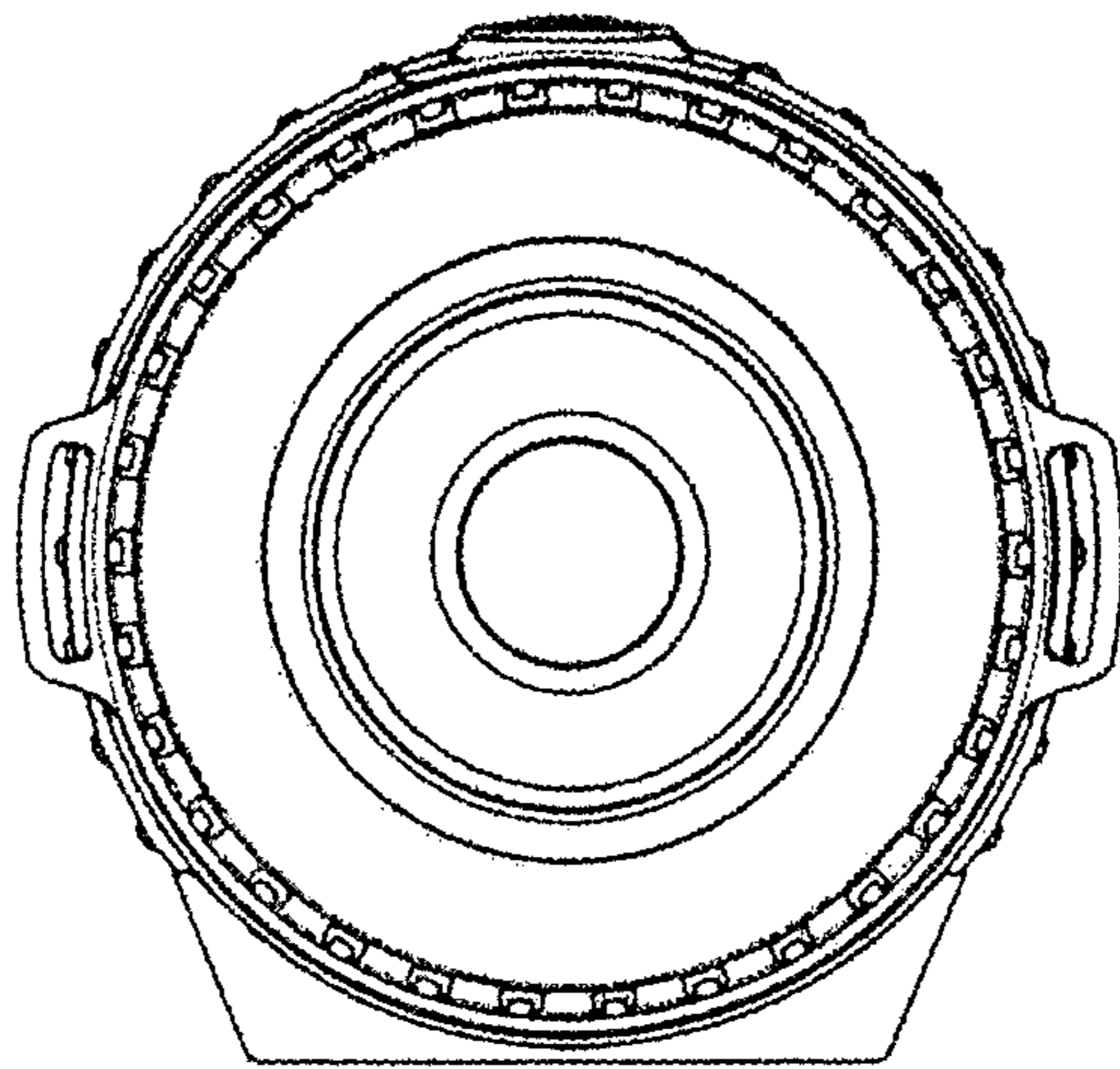


Fig. 2

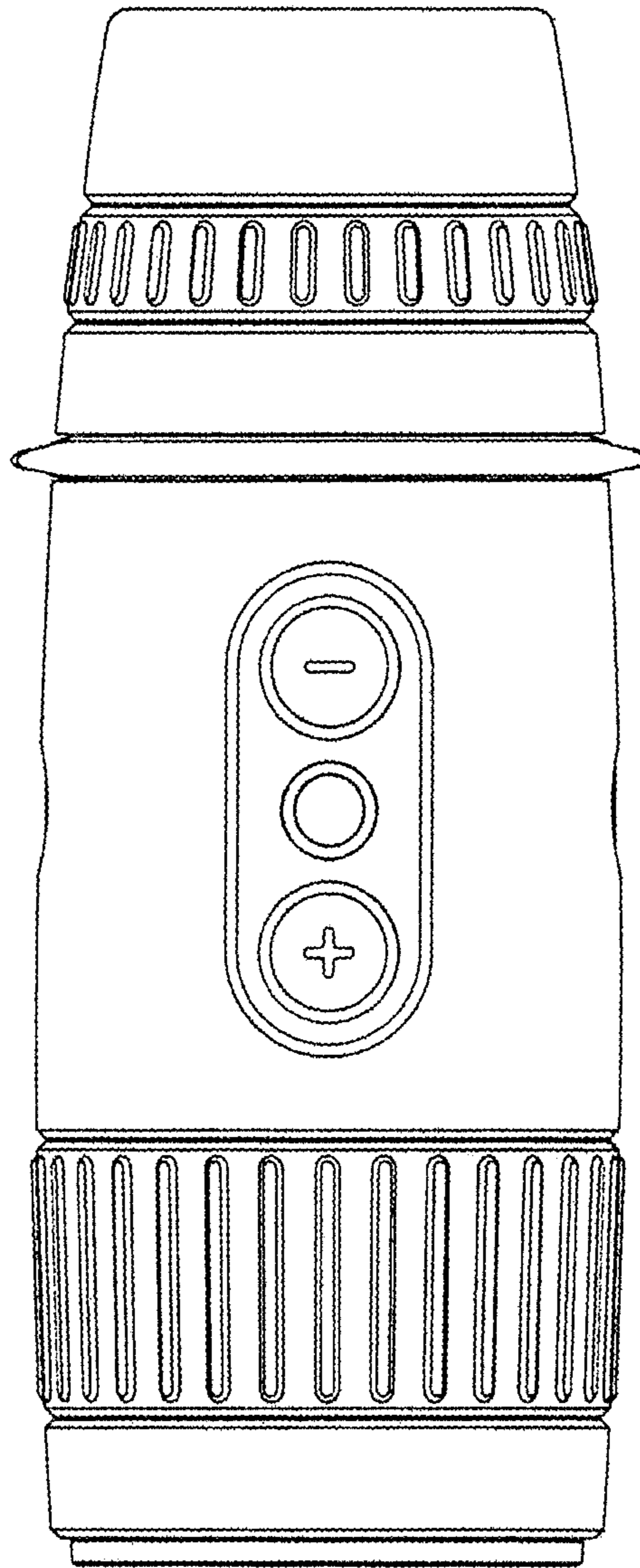


Fig. 3

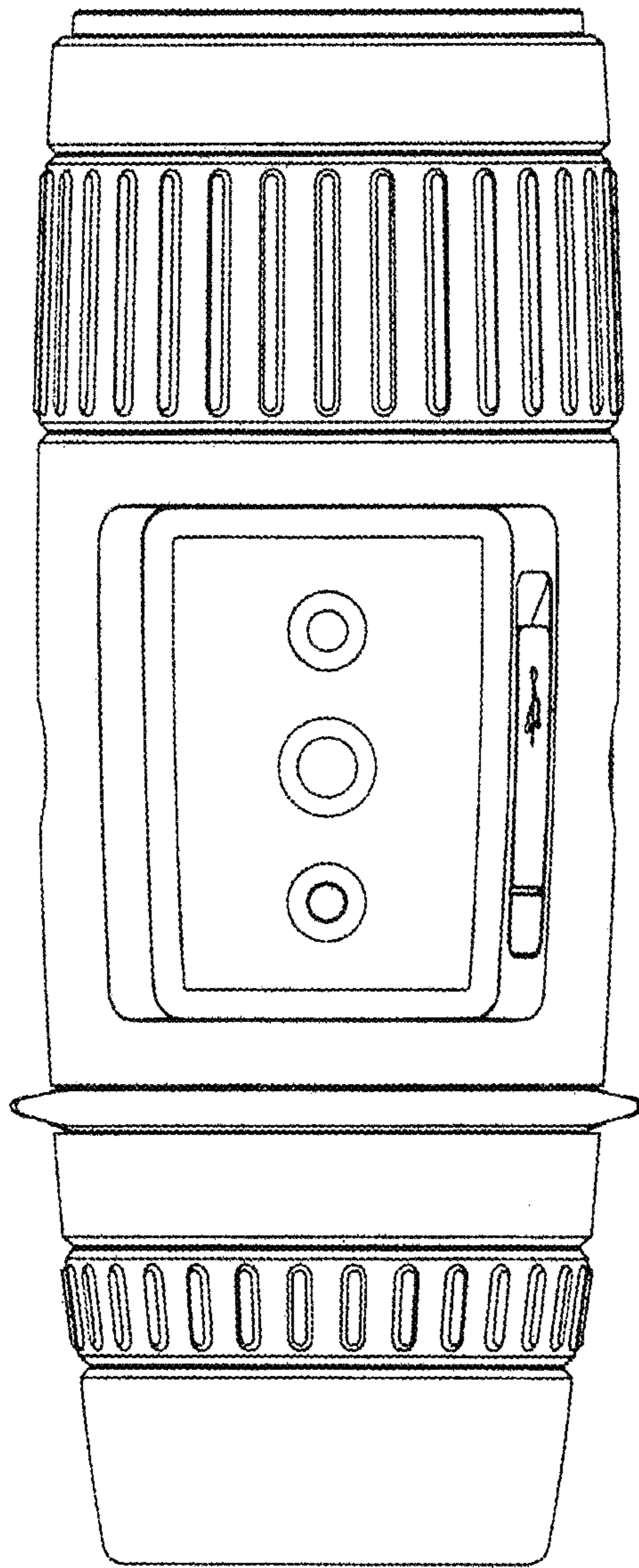


Fig. 4

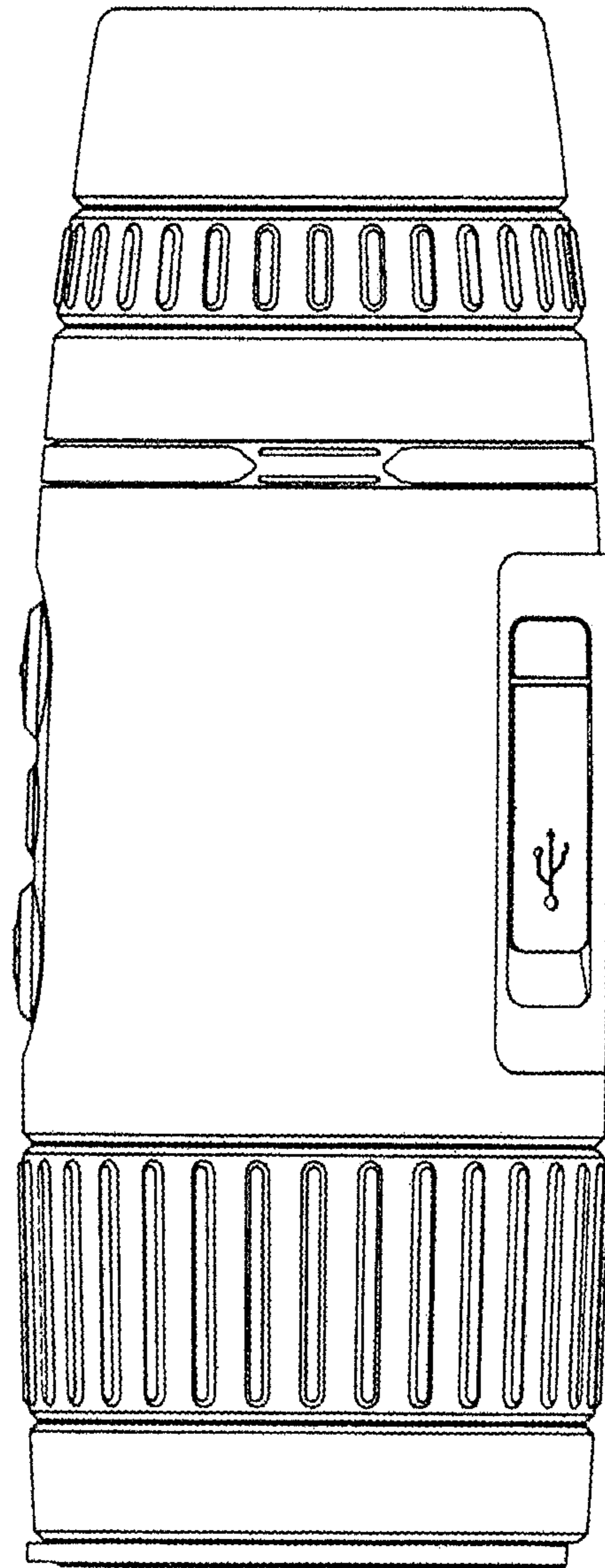


Fig. 5

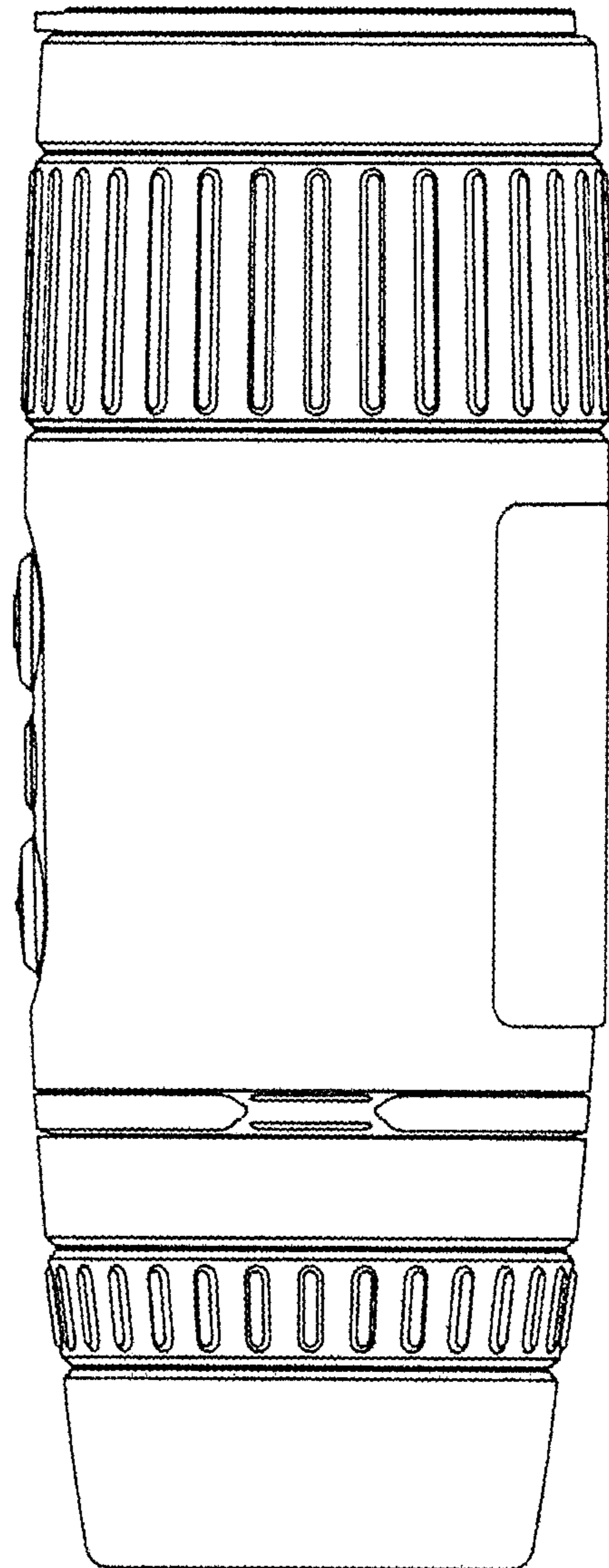


Fig. 6

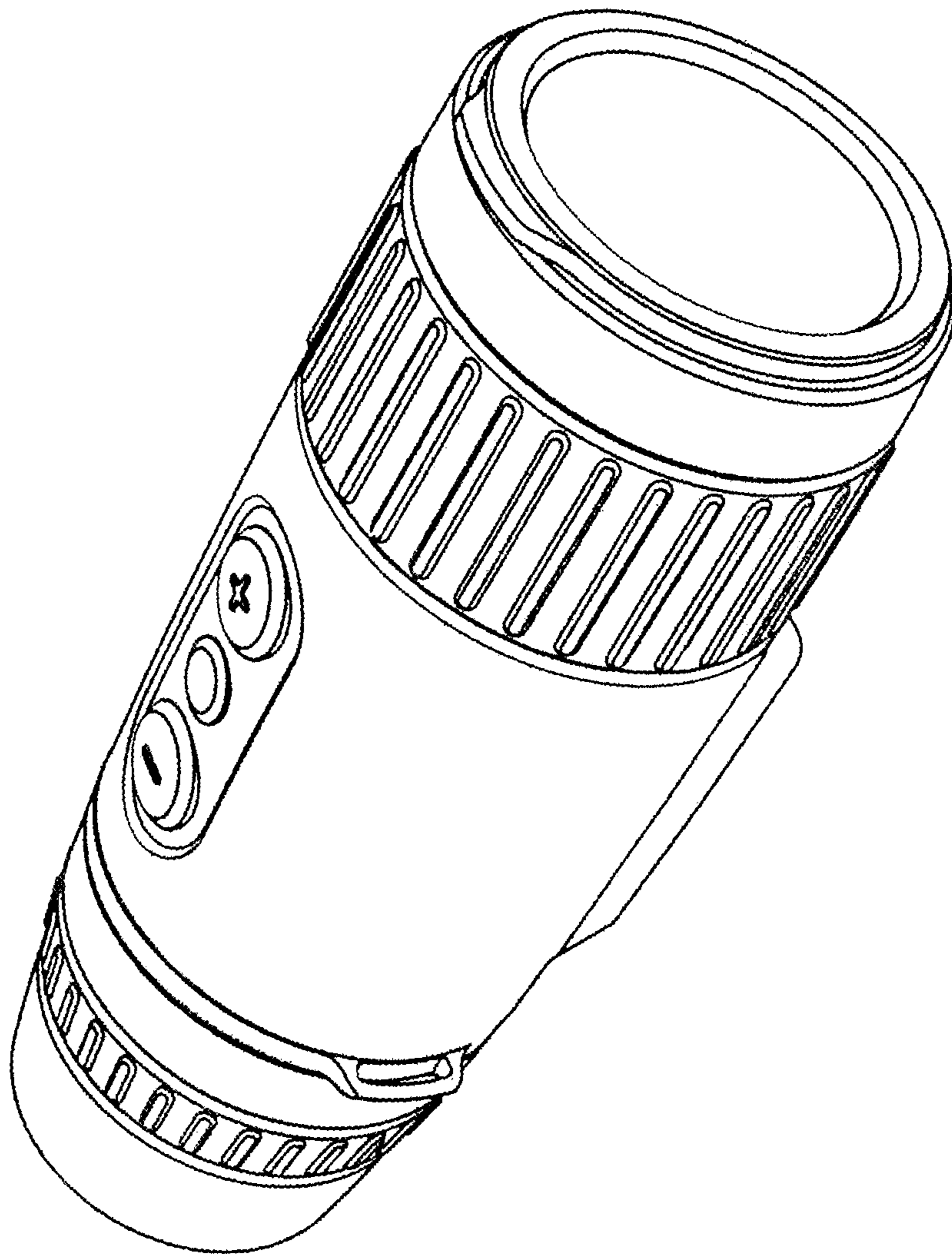


Fig. 7