



US00D931352S

(12) **United States Design Patent** (10) **Patent No.:** **US D931,352 S**
Kossev et al. (45) **Date of Patent:** **** Sep. 21, 2021**

(54) **OPHTHALMIC LENS**
(71) Applicant: **LUMUS LTD.**, Ness Ziona (IL)
(72) Inventors: **Peter Kossev**, Mountain View, CA (US); **Yochay Danziger**, Kfar Vradim (IL); **Tsion Eisenfeld**, Ashkelon (IL)
(73) Assignee: **LUMUS LTD.**, Ness Ziona (IL)
(**) Term: **15 Years**
(21) Appl. No.: **29/687,902**
(22) Filed: **Apr. 17, 2019**
(51) **LOC (13) Cl.** **16-06**
(52) **U.S. Cl.**
USPC **D16/101**
(58) **Field of Classification Search**
USPC D16/101, 300-342, 100, 134; D29/109-110; 351/41, 44, 45-48, 51-52, 351/62, 158, 92, 103-123, 140-153, 63, 351/59
CPC ... A63B 33/00; A63B 33/002; A63B 2244/19; G02C 5/22; G02C 5/2218; G02C 5/2236; G02C 5/2245; G02C 5/2254; G02C 5/2272; G02C 5/16; G02C 5/14; G02C 5/146; G02C 5/008; G02C 2200/00; G02C 2200/02; G02C 2200/04; G02C 2200/06; G02C 2200/08; G02C 5/02; G02C 5/04; G02C 5/143; G02C 5/20; G02C 7/00; G02C 7/02; G02C 7/022; G02C 7/06; G02C 7/061
See application file for complete search history.

5,953,099 A * 9/1999 Walach G02C 7/06 351/159.48
5,956,114 A * 9/1999 Tassier G02C 5/001 351/41
D439,595 S * 3/2001 Gugler D16/304
D451,120 S * 11/2001 Venezia D16/101
(Continued)

FOREIGN PATENT DOCUMENTS

CN 304180447 * 6/2017
JP D1672606 * 11/2020

OTHER PUBLICATIONS

Google search: "striped eyeglass lens" [site visited Jul. 31, 2021]: https://www.google.com/search?q=striped+eyeglass+lens&sxsr=ALeKk03P3lzCMTPaZMgcew9TqM5J84T4IA:1627763814865&source=lnms&tbm=isch&sa=X&ved=2ahUKEwjY1Nnfl7yAhV-F1kFHTsMBrQQ_AUoAnoECAEQBA&biw=1920&bih=969 (Year: 2021).*

(Continued)

Primary Examiner — Sanjeev Paul
(74) *Attorney, Agent, or Firm* — Mark M. Friedman

(57) **CLAIM**

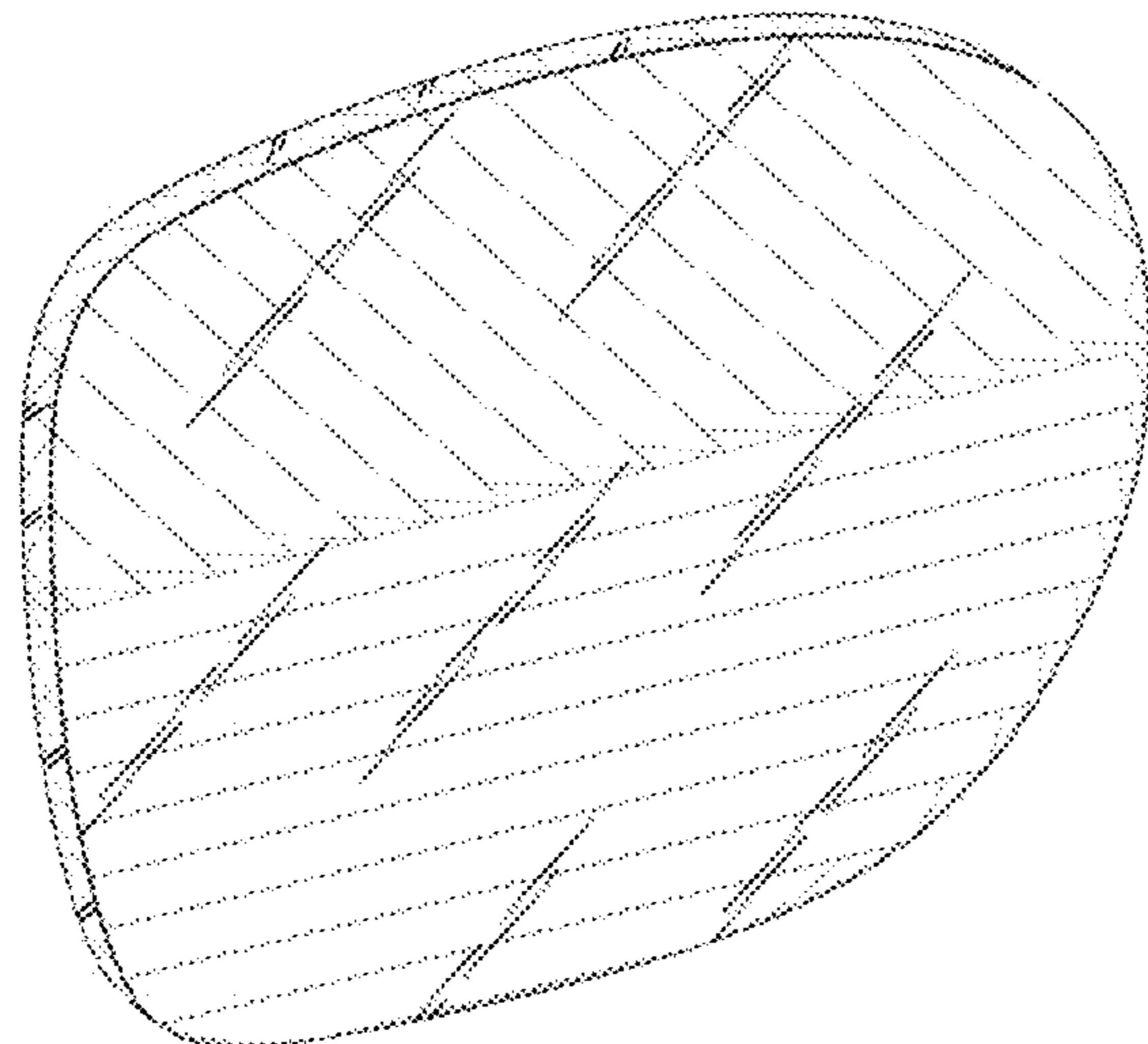
The ornamental design for an ophthalmic lens, as shown and described.

DESCRIPTION

FIG. 1 is a perspective front top left view of an ophthalmic lens showing our new design;
FIG. 2 is a perspective front bottom left view thereof;
FIG. 3 is a front view thereof;
FIG. 4 is a right side view thereof;
FIG. 5 is a left side view thereof;
FIG. 6 is a top view thereof;
FIG. 7 is a bottom view thereof;
FIG. 8 is a rear view thereof;
FIG. 9 is a perspective rear bottom left view thereof; and,
FIG. 10 is a perspective rear top left view thereof.

1 Claim, 10 Drawing Sheets

(56) **References Cited**
U.S. PATENT DOCUMENTS
2,009,700 A * 7/1935 McMurdo G02C 7/16 351/45
2,045,399 A * 6/1936 McMurdo G02C 5/001 351/45
D293,918 S * 1/1988 Maron D16/101
D366,663 S * 1/1996 Metruk D16/101



(56)

References Cited

U.S. PATENT DOCUMENTS

D472,254 S * 3/2003 Mitchell, Jr. D16/101
 D480,740 S * 10/2003 Carr D16/101
 D481,050 S * 10/2003 Carr D16/101
 D672,797 S * 12/2012 Faber D16/101
 D749,668 S * 2/2016 Moss D16/330
 D834,628 S * 11/2018 Jamin D16/101
 D860,284 S * 9/2019 Lussier D16/101
 D863,392 S * 10/2019 Okitsu D16/134
 2008/0316423 A1 * 12/2008 Boghossian G02C 7/10
 351/158
 2019/0079314 A1 * 3/2019 West A61M 21/02
 2021/0072560 A1 * 3/2021 Hofstad G02C 7/02
 2021/0178710 A1 * 6/2021 Tokarski B29D 11/0048

OTHER PUBLICATIONS

Google search: "striped Ophthalmic lens" [site visited Jul. 31, 2021]: https://www.google.com/search?q=striped+OPHTHALMIC+lens&sxsrf=ALeKk00LqB0irz9EPGuZltrOeXWlQ98ywQ:1627764024596&source=lnms&tbm=isch&sa=X&ved=2ahUKEwjNyNrDIY7yAhWWEIkFHd9KBpwQ_AUoAnoECAEQBA&biw=1920&bih=969 (Year: 2021).*
 "OE Maximus" dated Feb. 4, 2021, [online], [site visited Jul. 31, 2021], Available from Internet, <URL: <https://lumusvision.com/products/oe-maximus/> (Year: 2021).*

* cited by examiner

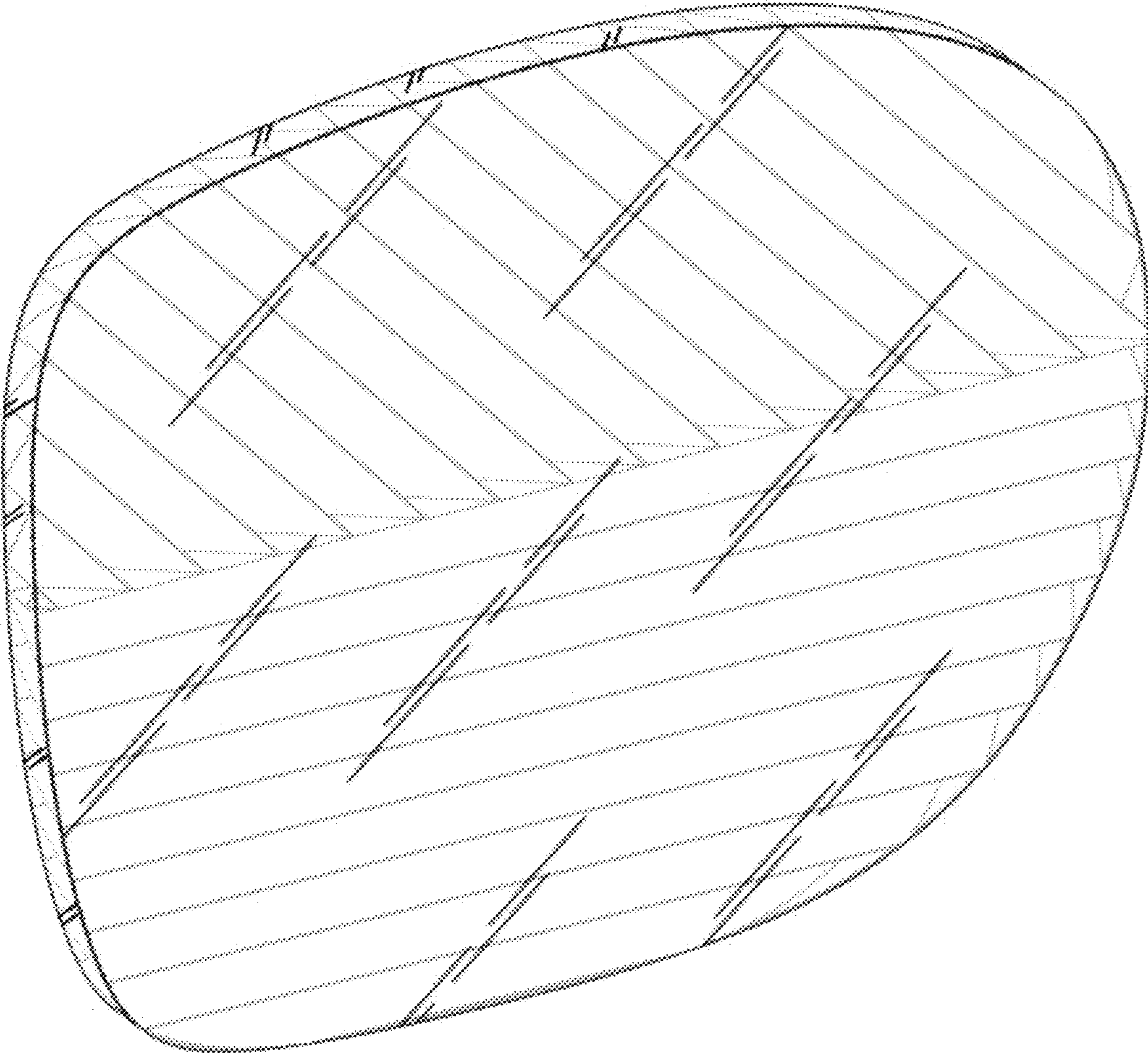


FIG. 1

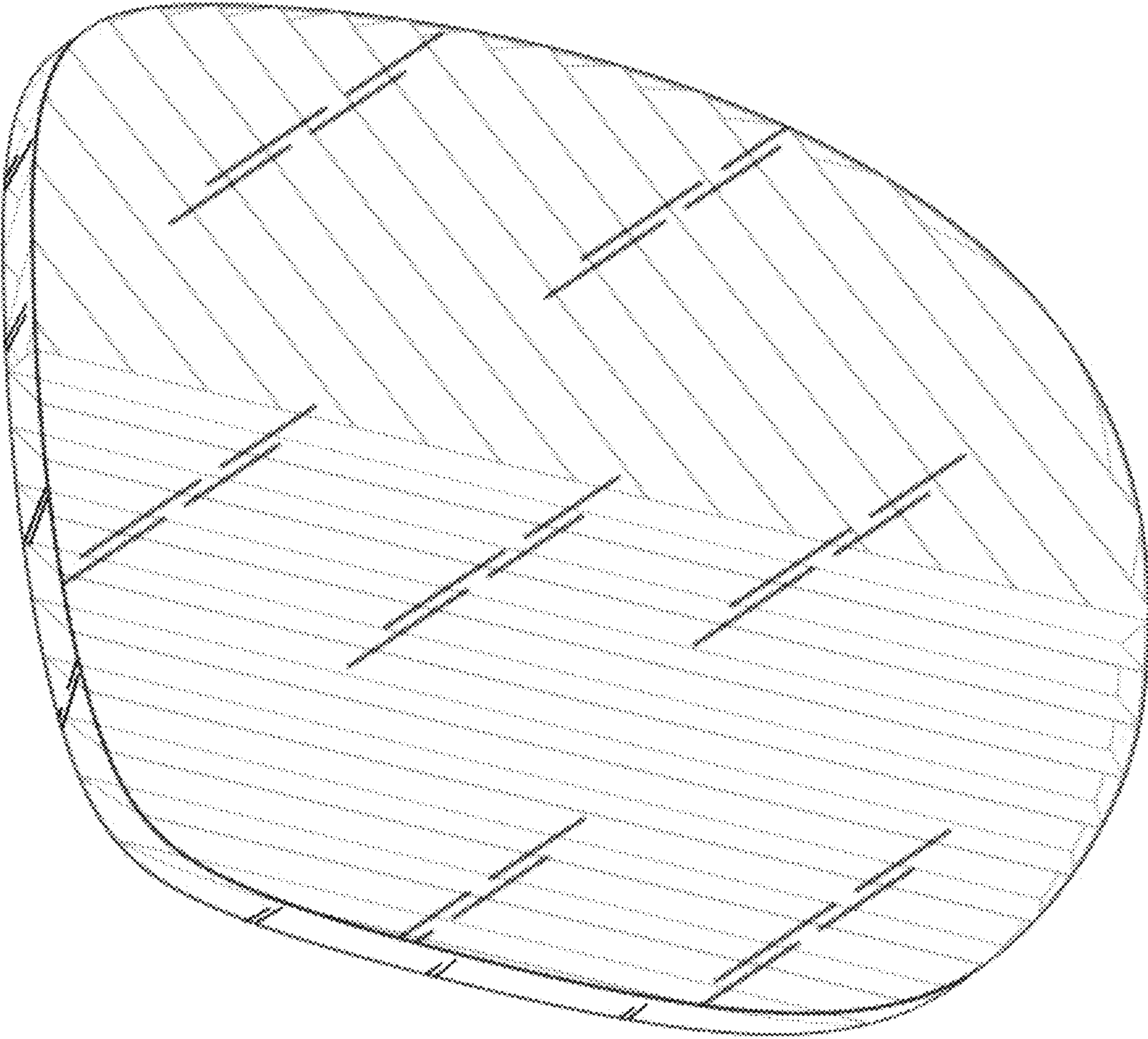


FIG. 2

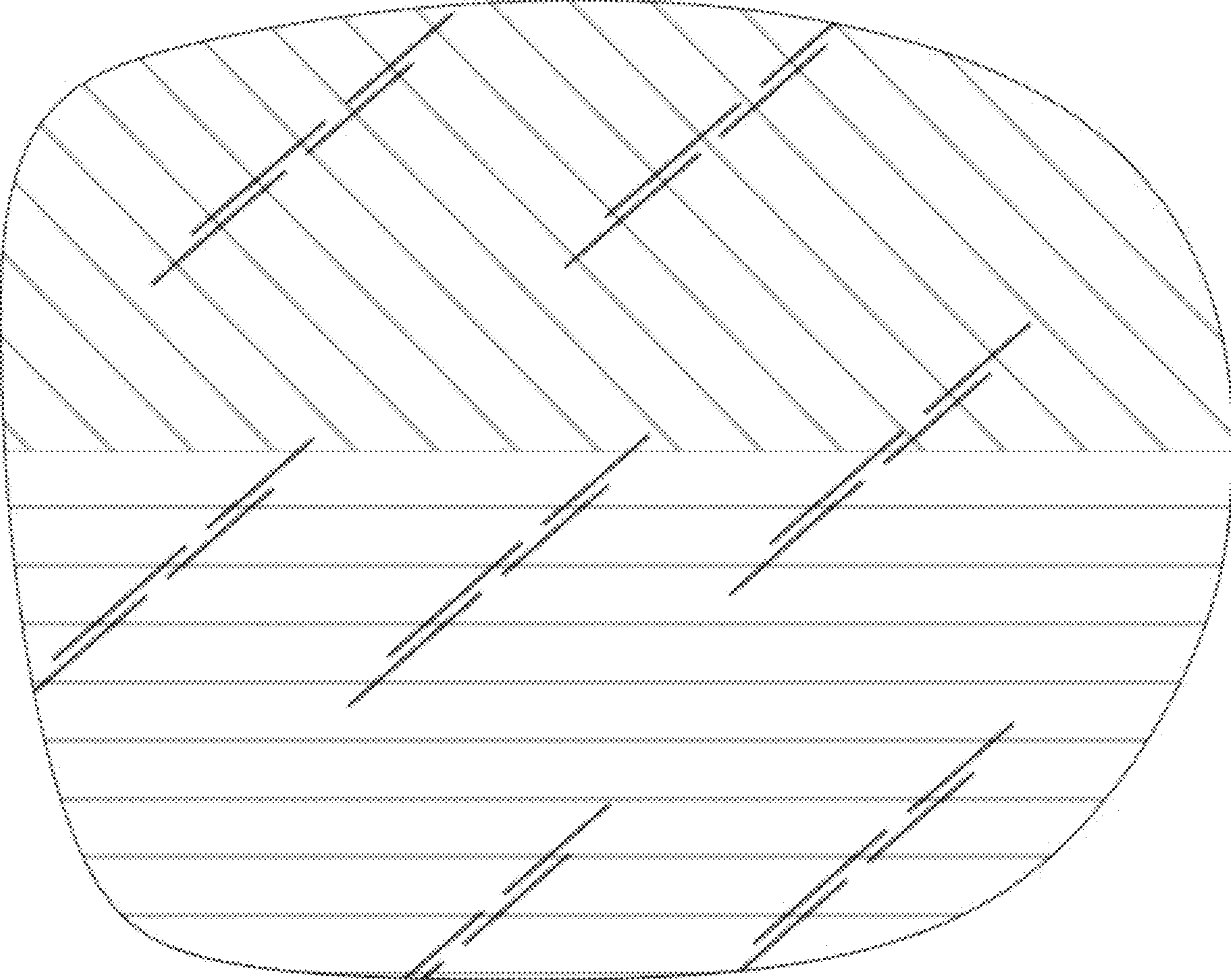


FIG. 3



FIG. 4



FIG. 5

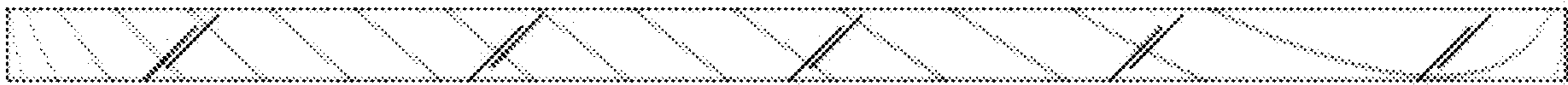


FIG. 6

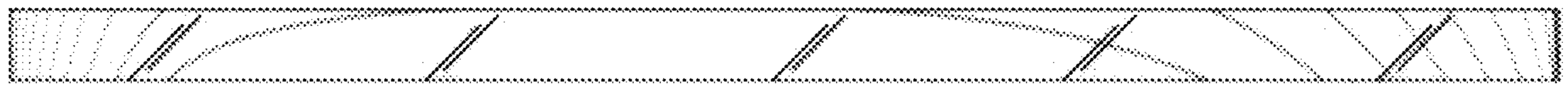


FIG. 7

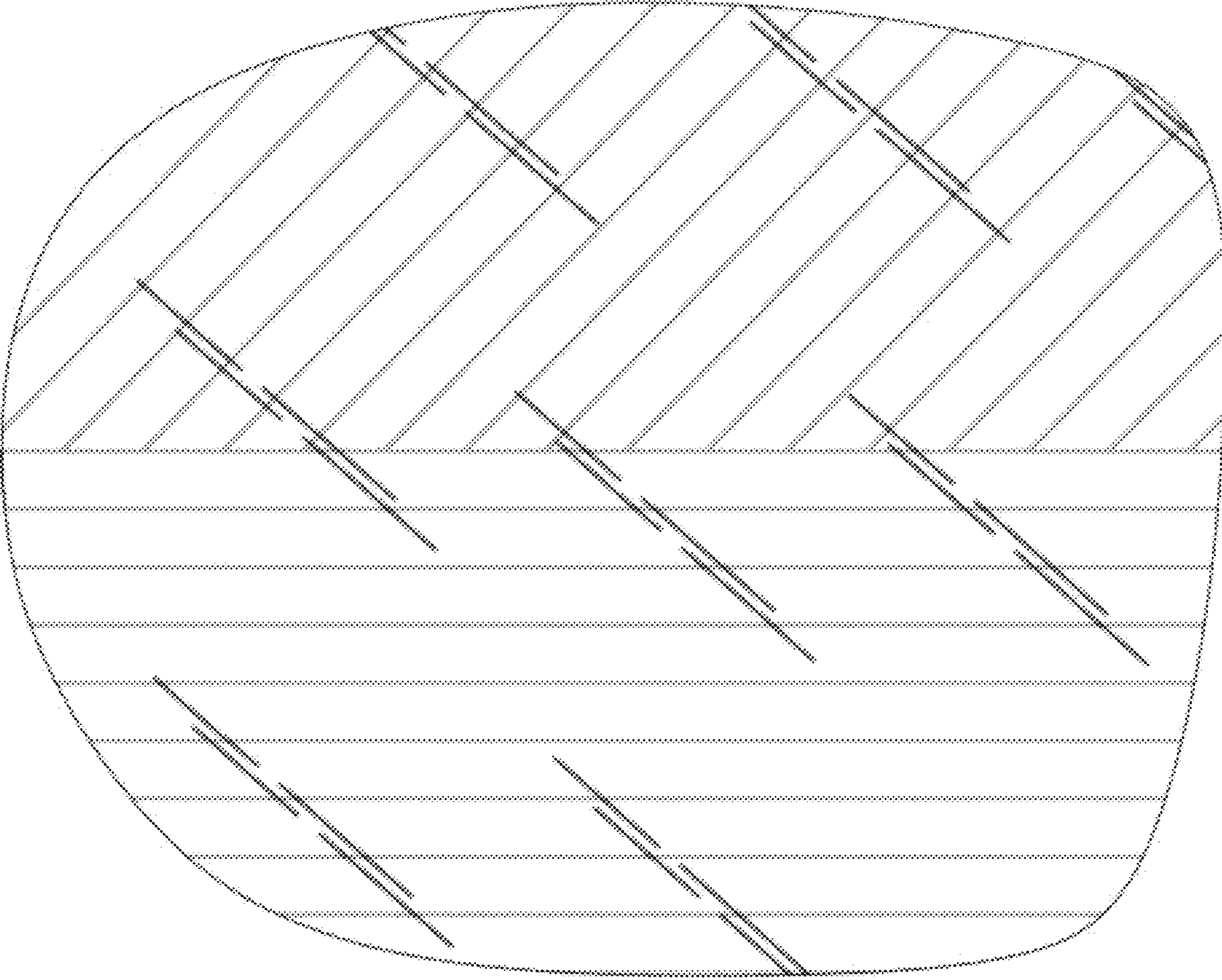


FIG. 8

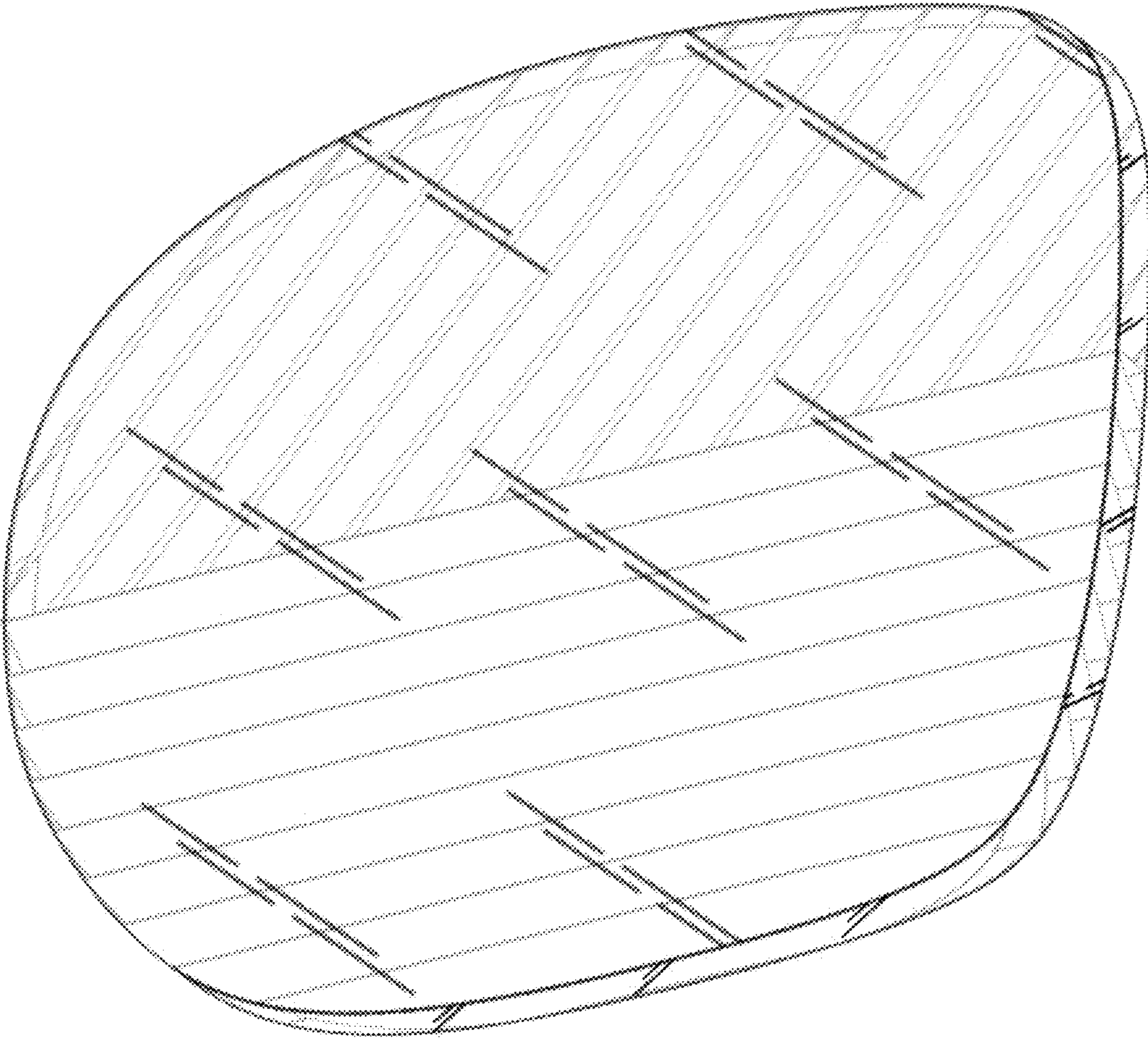


FIG. 9

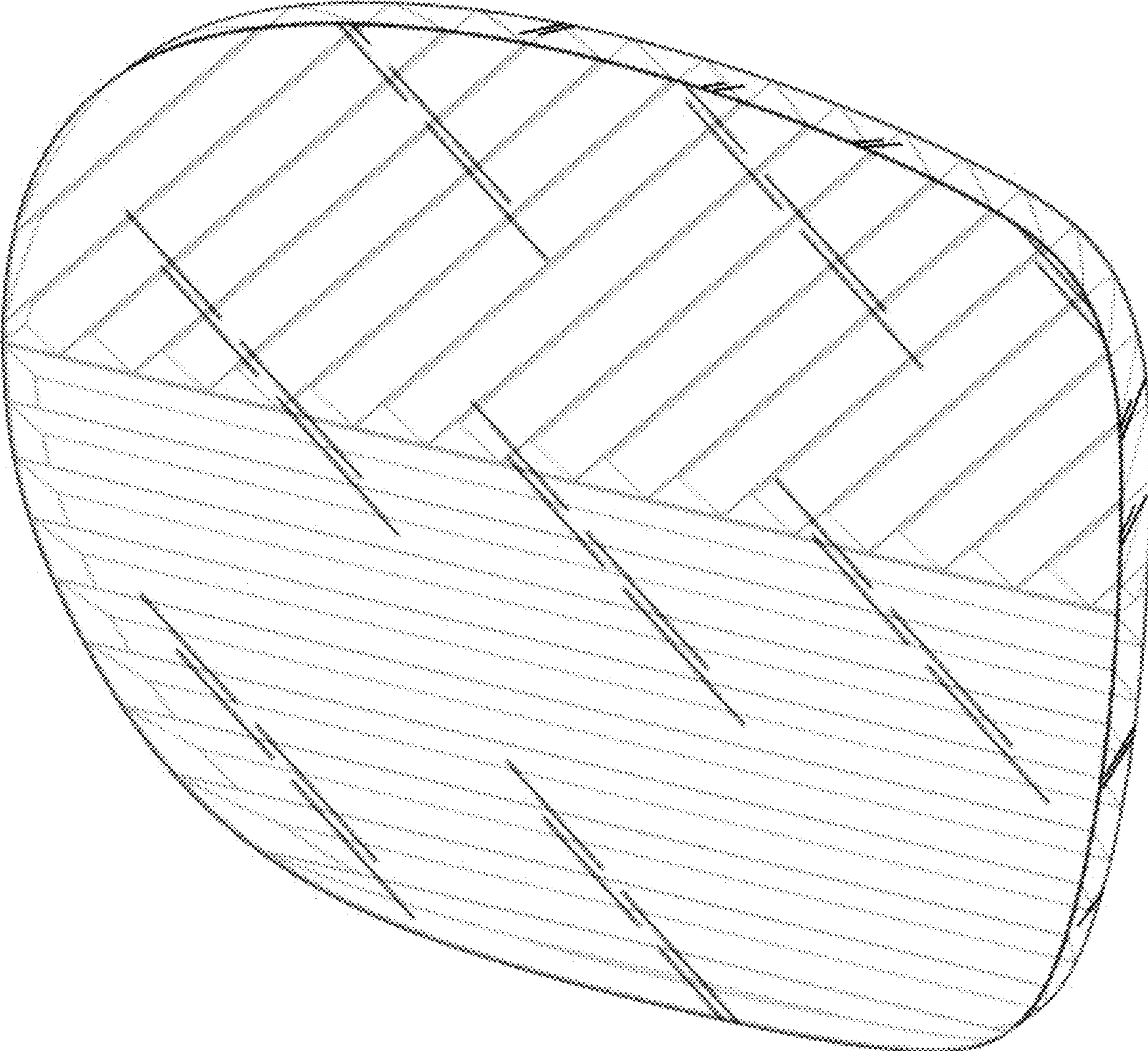


FIG. 10