



US00D931351S

(12) **United States Design Patent**
Watanabe et al.

(10) **Patent No.:** **US D931,351 S**

(45) **Date of Patent:** **** Sep. 21, 2021**

(54) **INDUSTRIAL ROBOT**

(71) Applicant: **FANUC CORPORATION**, Yamanashi (JP)

(72) Inventors: **Hideyuki Watanabe**, Yamanashi (JP);
Kenta Itokazu, Yamanashi (JP);
Makoto Ichikawa, Yamanashi (JP)

(73) Assignee: **FANUC CORPORATION**, Yamanashi (JP)

(**) Term: **15 Years**

(21) Appl. No.: **29/737,918**

(22) Filed: **Jun. 12, 2020**

(30) **Foreign Application Priority Data**

Dec. 13, 2019 (JP) 2019-027769

(51) **LOC (13) Cl.** **15-99**

(52) **U.S. Cl.**
USPC **D15/199**

(58) **Field of Classification Search**
USPC D15/199; D21/578-583, 621, 622
CPC B23K 9/133; B23K 9/287; B25J 9/0018;
B25J 9/0025; Y10T 74/20; Y10T
74/20207; Y10T 74/20307; Y10T
74/20311

See application file for complete search history.

(56) **References Cited**

U.S. PATENT DOCUMENTS

D293,324 S * 12/1987 Gotou D15/122
D343,630 S * 1/1994 Tomiyama D15/199
D800,199 S * 10/2017 Yang D15/199
D818,511 S * 5/2018 Li D15/199

D833,499 S * 11/2018 Wang D15/199
D839,942 S * 2/2019 Feng D15/199
D847,890 S * 5/2019 Liu D15/199
10,384,342 B2 * 8/2019 Adachi B25J 18/007
D880,549 S * 4/2020 Nagayama D15/199
D911,409 S * 2/2021 Ou Yang D15/199
D922,463 S * 6/2021 Liu D15/199
2005/0166699 A1 * 8/2005 Meyerhoff B25J 9/06
74/490.01
2014/0109712 A1 * 4/2014 Ono B25J 9/042
74/490.02
2015/0114161 A1 * 4/2015 Kawase B25J 9/0009
74/490.01
2015/0321344 A1 * 11/2015 Hahakura B25J 19/023
74/490.02
2017/0182658 A1 * 6/2017 Bordegnoni B25J 9/044
2017/0239810 A1 * 8/2017 Bordegnoni B25J 9/0009
2018/0229360 A1 * 8/2018 Adachi B25J 9/042

* cited by examiner

Primary Examiner — Patricia A Palasik

(74) *Attorney, Agent, or Firm* — Banner & Witcoff, Ltd.

(57) **CLAIM**

The ornamental design for an industrial robot, as shown and described.

DESCRIPTION

FIG. 1 is a perspective view of an industrial robot showing our new design;

FIG. 2 is a right side view thereof;

FIG. 3 is a left side view thereof;

FIG. 4 is a top plan view thereof;

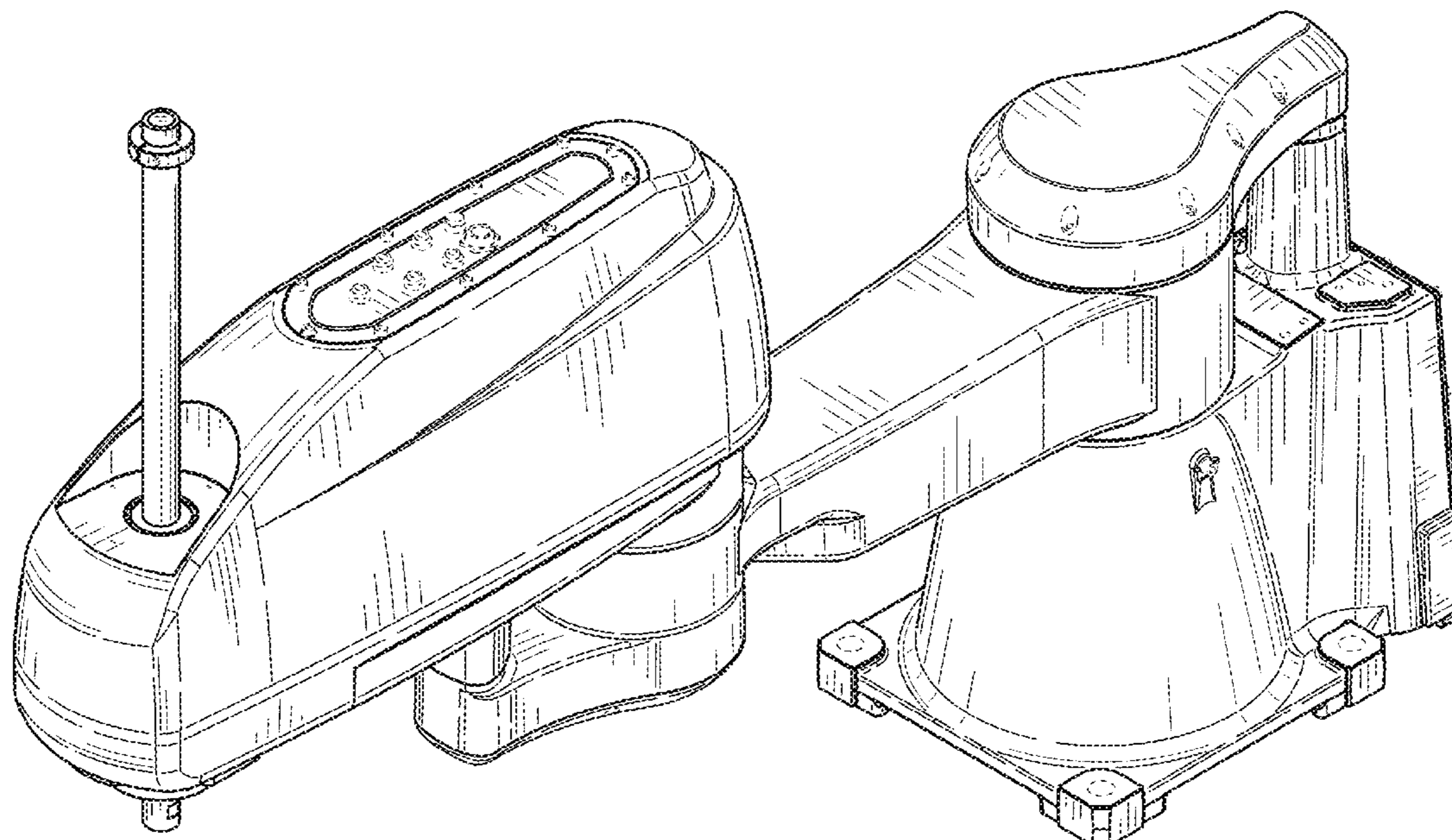
FIG. 5 is a bottom view thereof;

FIG. 6 is a front view thereof; and,

FIG. 7 is a rear view thereof.

The broken lines depict portions of the industrial robot that form no part of the claimed design.

1 Claim, 5 Drawing Sheets



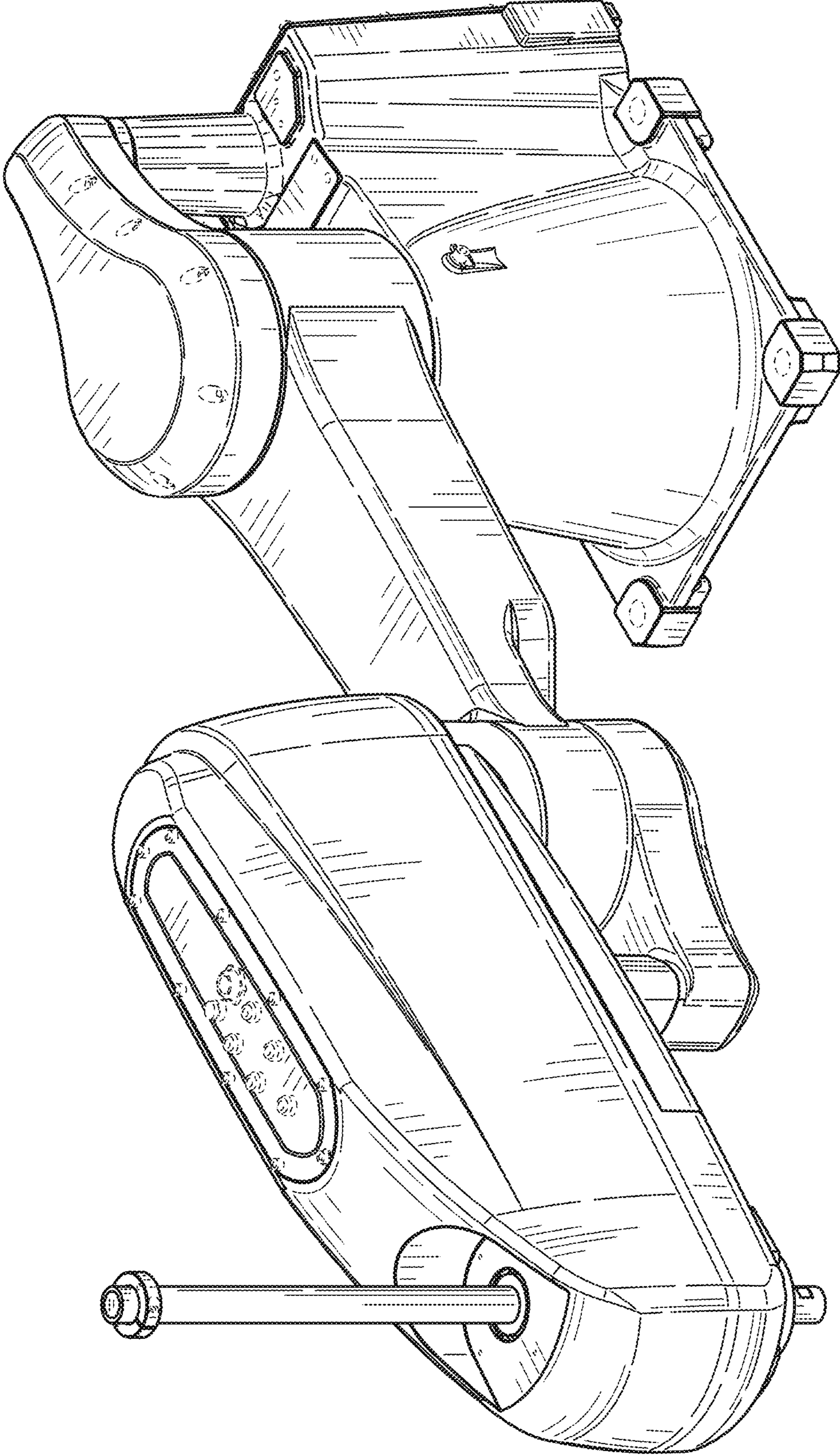


FIG. 1

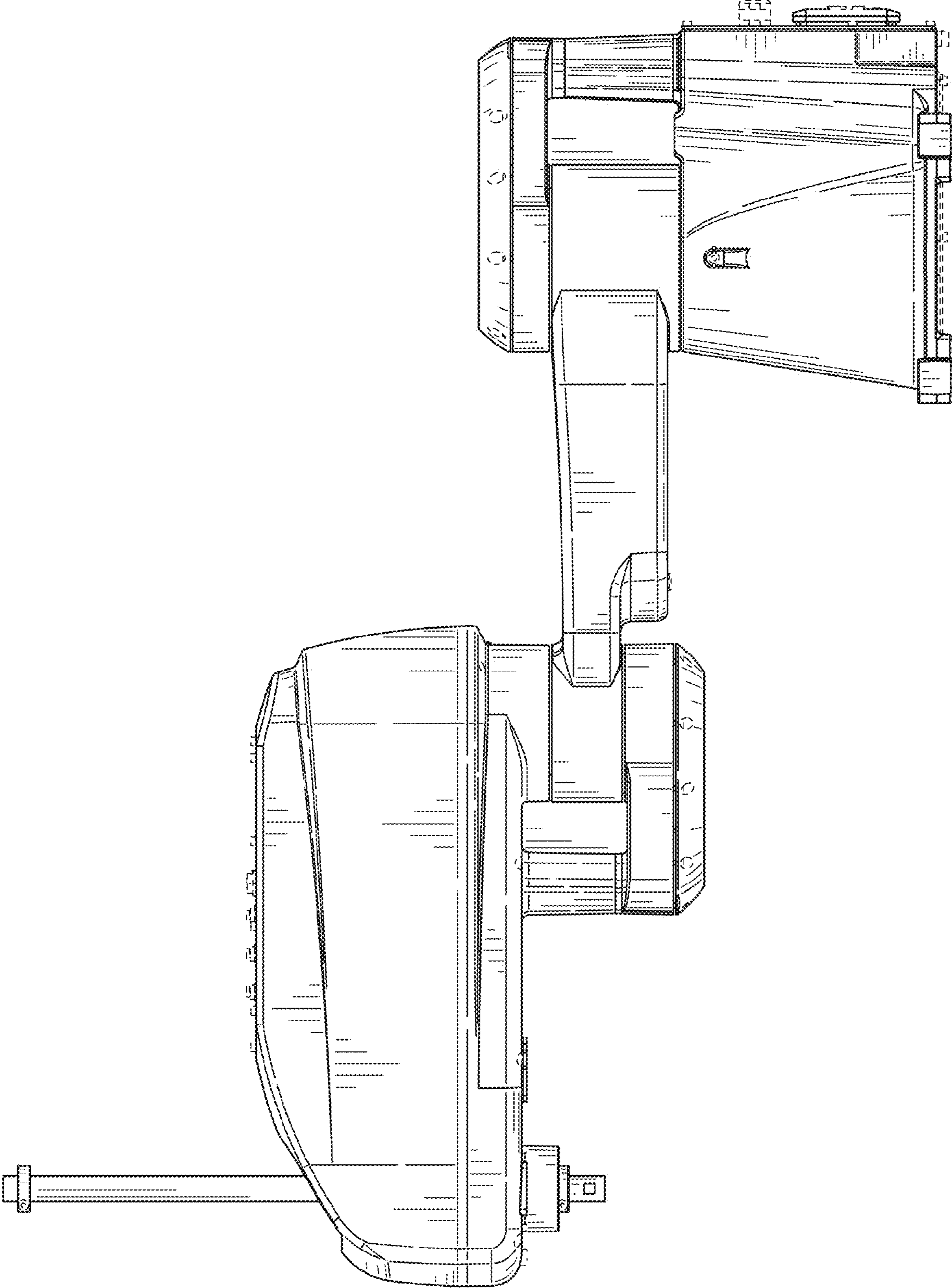


FIG. 2

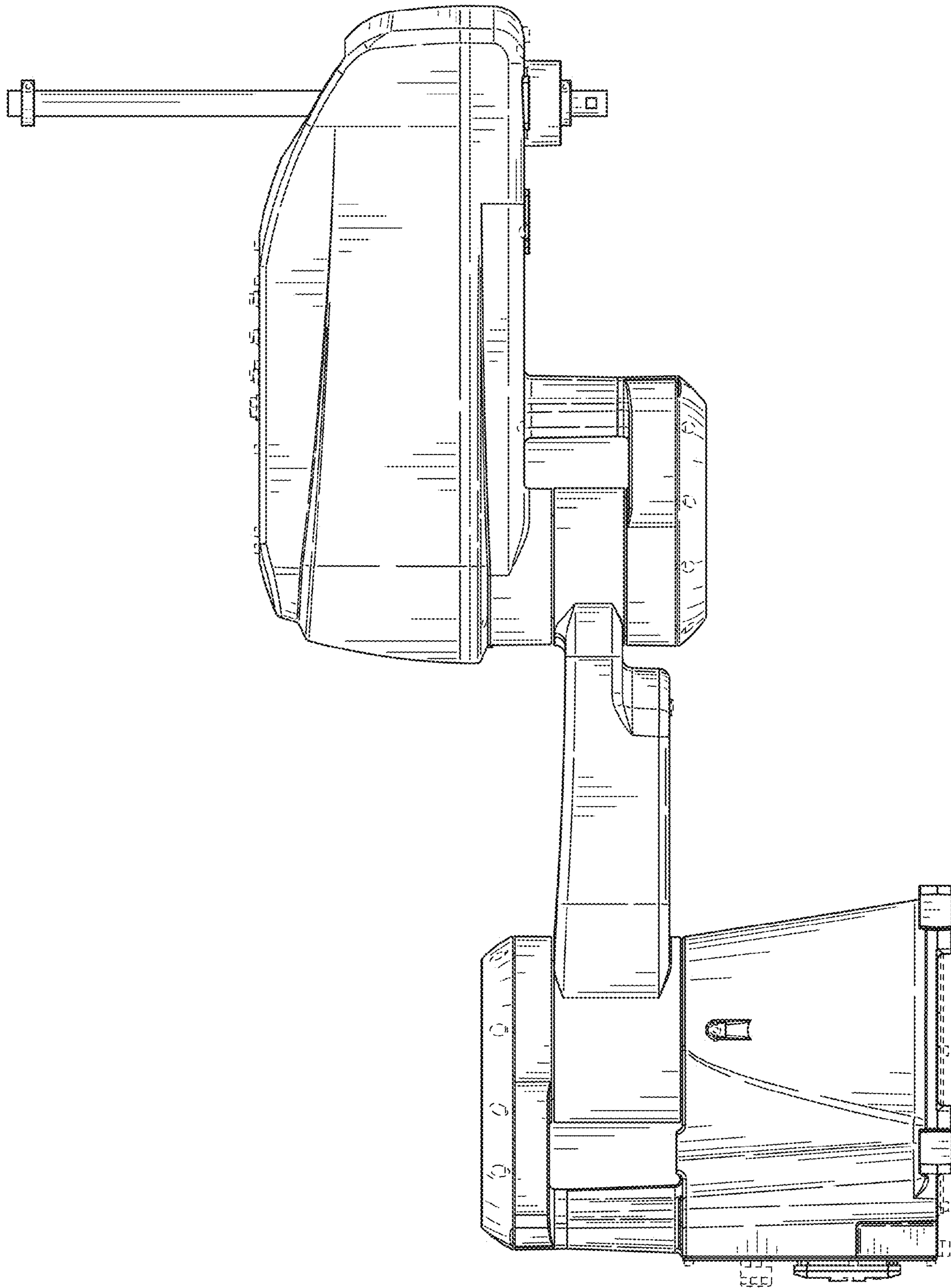


FIG. 3

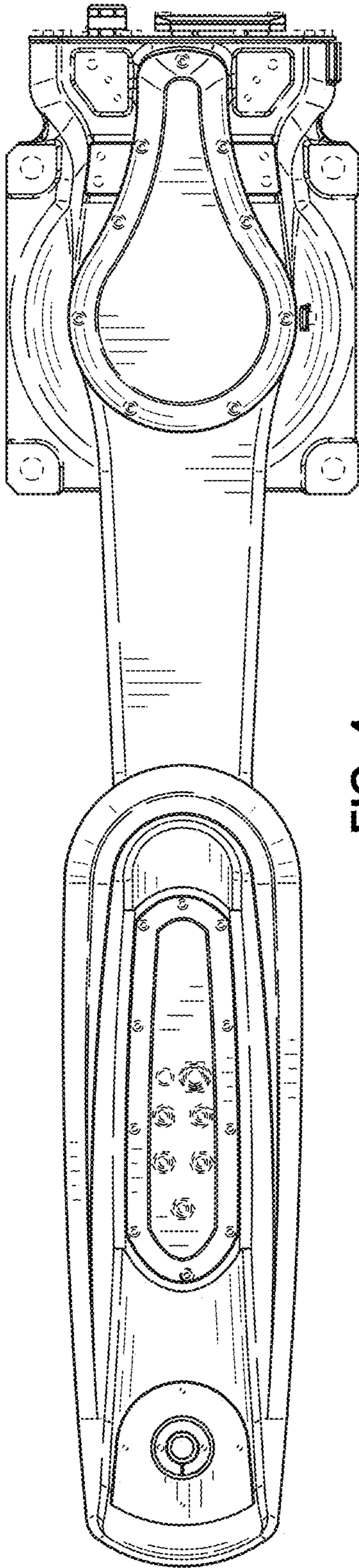


FIG. 4

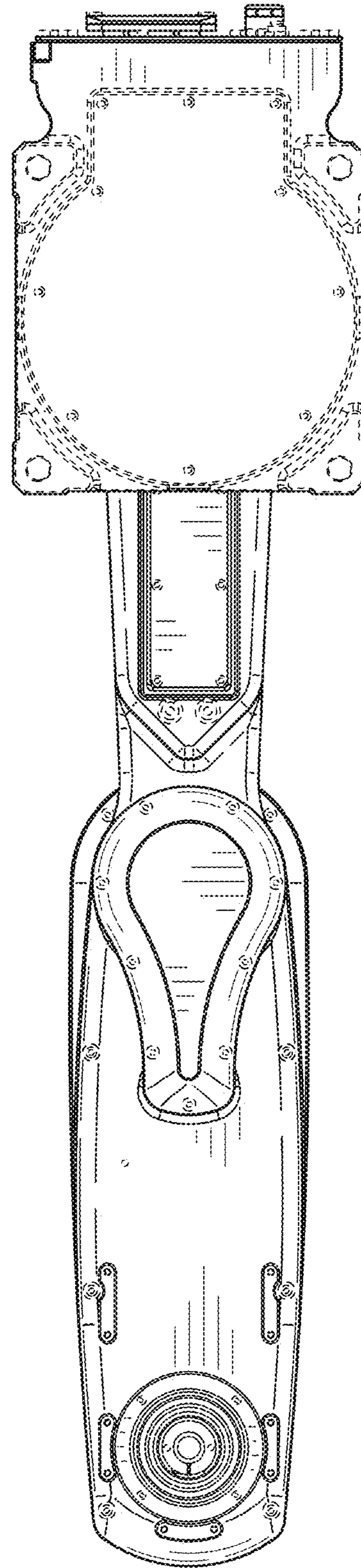


FIG. 5

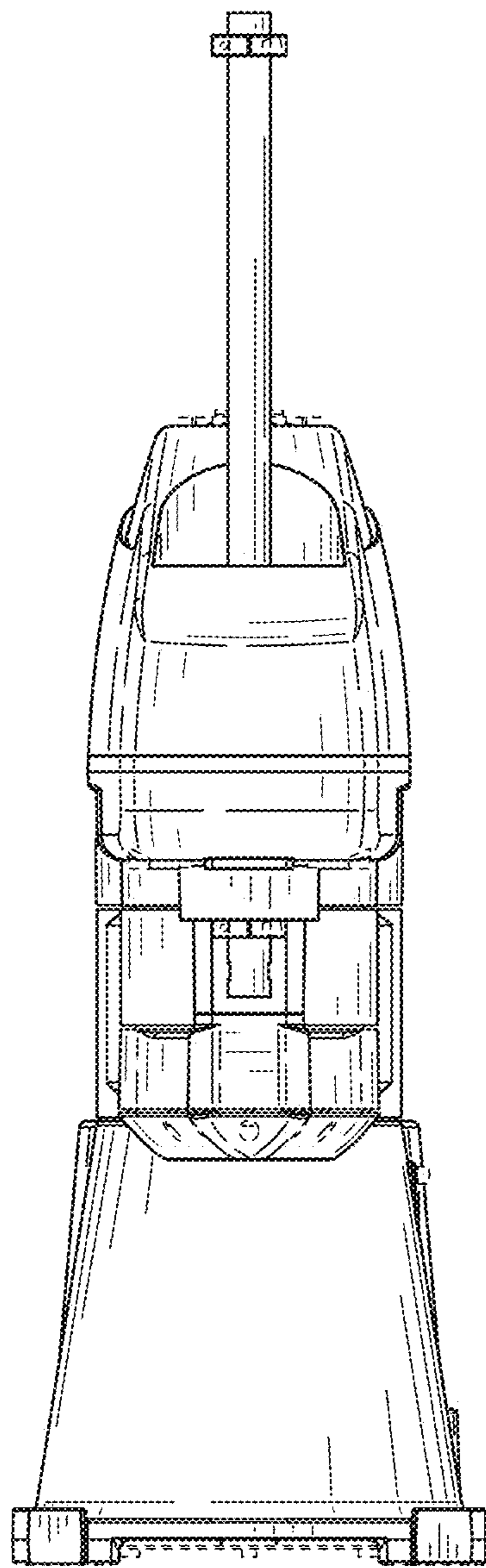


FIG. 6

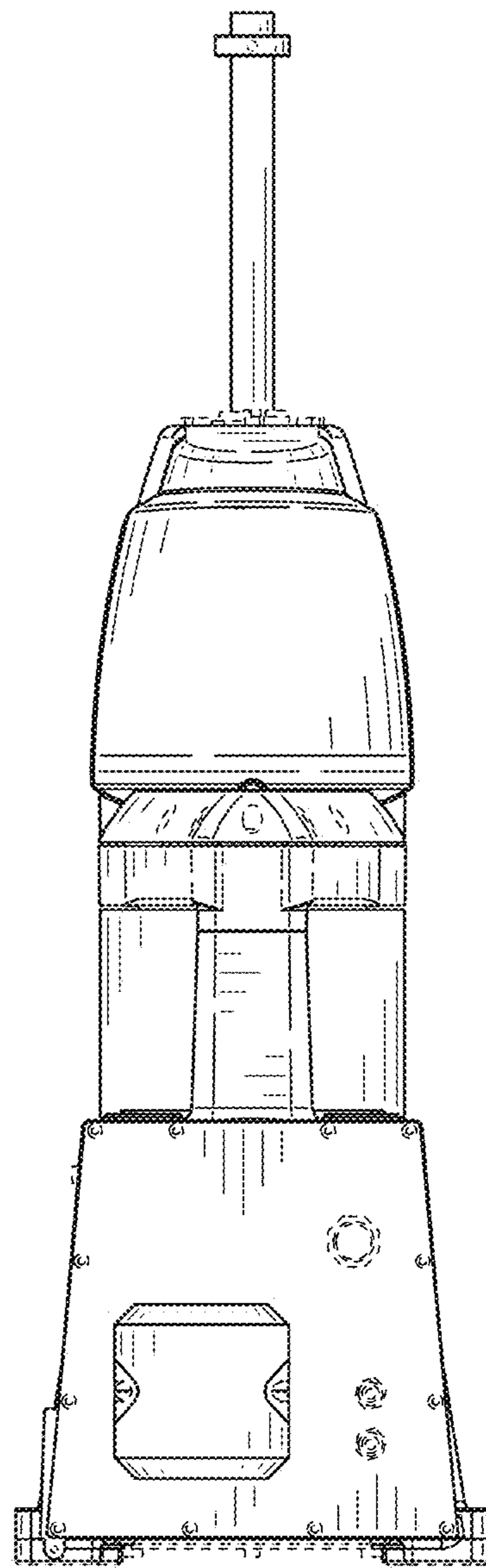


FIG. 7