



US00D931350S

(12) **United States Design Patent** (10) **Patent No.:** **US D931,350 S**  
**Andersson et al.** (45) **Date of Patent:** **\*\* Sep. 21, 2021**

(54) **GEAR WITH CASING**

(71) Applicant: **FLENDER GMBH**, Bocholt (DE)

(72) Inventors: **Jan Andersson**, Erlangen (DE); **Björn Bauer**, Essen (DE); **Stephan Hühne**, Wilhermsdorf (DE); **Michael Klein-Hitpass**, Wesel (DE); **Eugen Schlegel**, Oberhausen (DE)

(73) Assignee: **Flender GmbH**, Bocholt (DE)

(\*\*) Term: **15 Years**

(21) Appl. No.: **29/687,234**

(22) Filed: **Apr. 11, 2019**

(30) **Foreign Application Priority Data**

Oct. 12, 2018 (EM) ..... 005797107

(51) **LOC (13) Cl.** ..... **15-09**

(52) **U.S. Cl.**

USPC ..... **D15/148**

(58) **Field of Classification Search**

USPC ..... D15/5, 148, 149

CPC ..... F16D 41/07; F16D 41/061-064; F16D 41/066; F16D 41/067; F16D 41/105; F16H 1/28; F16H 1/46; F16H 7/082; F16H 57/029; F16H 57/033; F16H 57/0482

See application file for complete search history.

(56) **References Cited**

U.S. PATENT DOCUMENTS

D479,541 S \* 9/2003 Lannoch ..... D15/148

D479,542 S \* 9/2003 Lannoch ..... D15/148

D529,527 S \* 10/2006 Kinoshita ..... D15/148

D529,939 S \* 10/2006 Wilhelm ..... D15/148

D533,204 S \* 12/2006 Kinoshita ..... D15/149

D543,565 S \* 5/2007 Kopecki ..... D15/149

D598,938 S \* 8/2009 Mijno ..... D15/148

D604,347 S \* 11/2009 Wittenstein ..... D15/149

D618,262 S \* 6/2010 Siegfried ..... D15/148

D618,263 S \* 6/2010 Siegfried ..... D15/148

D619,631 S \* 7/2010 Otsuka ..... D15/149

D638,454 S \* 5/2011 Torii ..... D15/143

D673,196 S \* 12/2012 von Hafen ..... D15/148

D673,197 S \* 12/2012 von Hafen ..... D15/148

D682,902 S \* 5/2013 Tanaka ..... D15/149

D683,775 S \* 6/2013 Farrenkopf ..... D15/148

D703,253 S \* 4/2014 Lannoch ..... D15/148

D704,756 S \* 5/2014 Voelker ..... D15/148

8,997,607 B2 \* 4/2015 Kanai ..... F16H 49/001 74/640

9,003,924 B2 \* 4/2015 Kanai ..... F16H 49/001 74/640

D740,867 S \* 10/2015 Barta ..... D15/148

D769,952 S \* 10/2016 Andersson ..... D15/148

D770,551 S \* 11/2016 Heilemann ..... D15/148

D775,252 S \* 12/2016 Shentu ..... D15/149

D777,815 S \* 1/2017 Ebner ..... D15/148

(Continued)

*Primary Examiner* — Patricia A Palasik

(74) *Attorney, Agent, or Firm* — Henry M. Feiereisen LLC

(57) **CLAIM**

The ornamental design for a gear with casing, as shown and described.

**DESCRIPTION**

FIG. 1 is a front view of a gear with casing, showing our new design;

FIG. 2 is a rear view thereof;

FIG. 3 is a top view thereof;

FIG. 4 is a bottom view thereof;

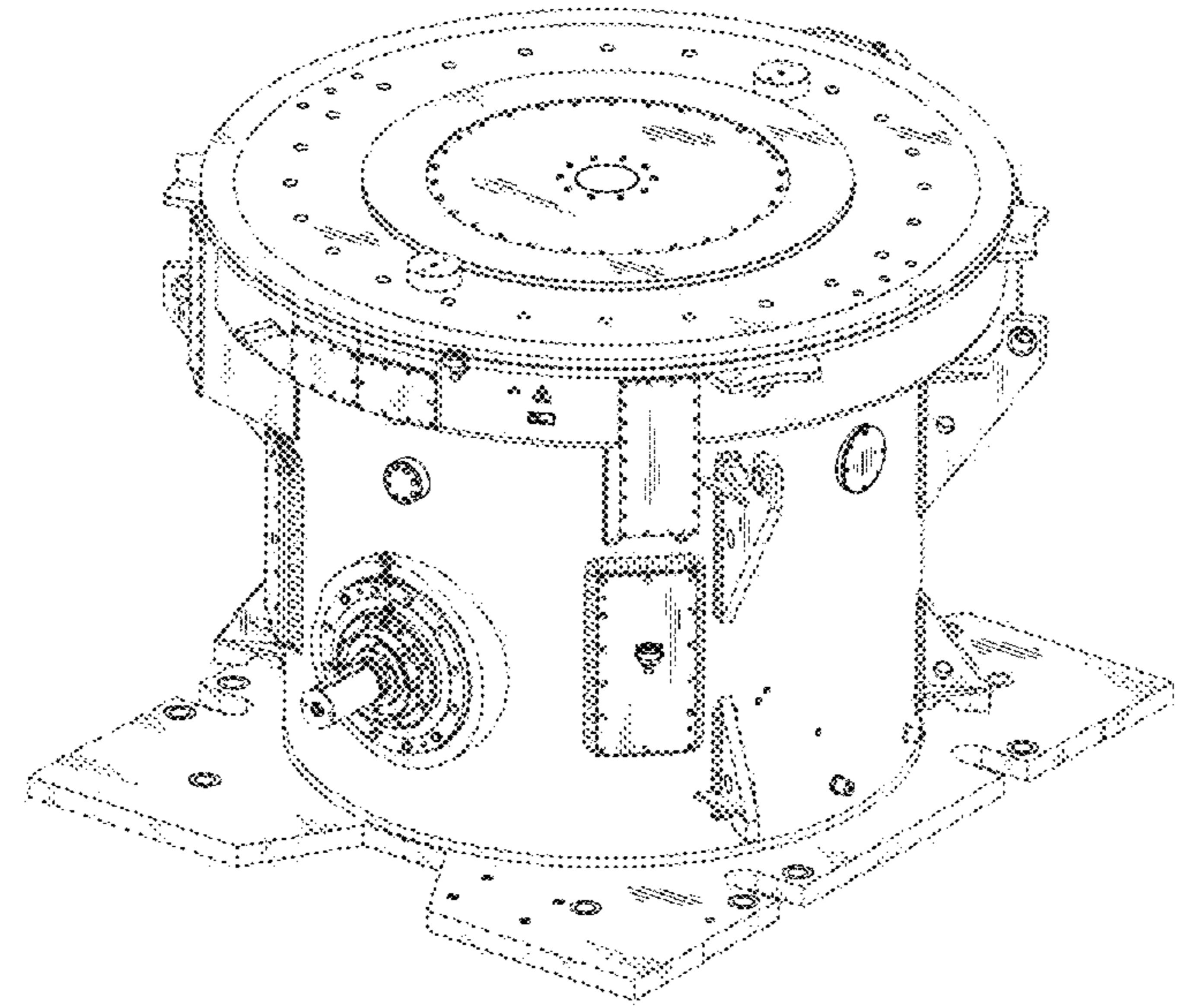
FIG. 5 is a right side view thereof;

FIG. 6 is a left side view thereof;

FIG. 7 is a top, front and right side perspective view thereof; and,

FIG. 8 is a top, rear and left side perspective view thereof.

**1 Claim, 8 Drawing Sheets**



(56)

**References Cited**

U.S. PATENT DOCUMENTS

D780,119 S \* 2/2017 Schieck ..... D13/112  
D781,943 S \* 3/2017 Ries ..... D15/199  
2004/0166986 A1\* 8/2004 Bayer ..... F16H 57/0482  
475/331  
2006/0096412 A1\* 5/2006 Wittenstein ..... F16H 57/08  
74/606 R  
2017/0373554 A9\* 12/2017 Kim ..... H02K 7/1166

\* cited by examiner

FIG 1

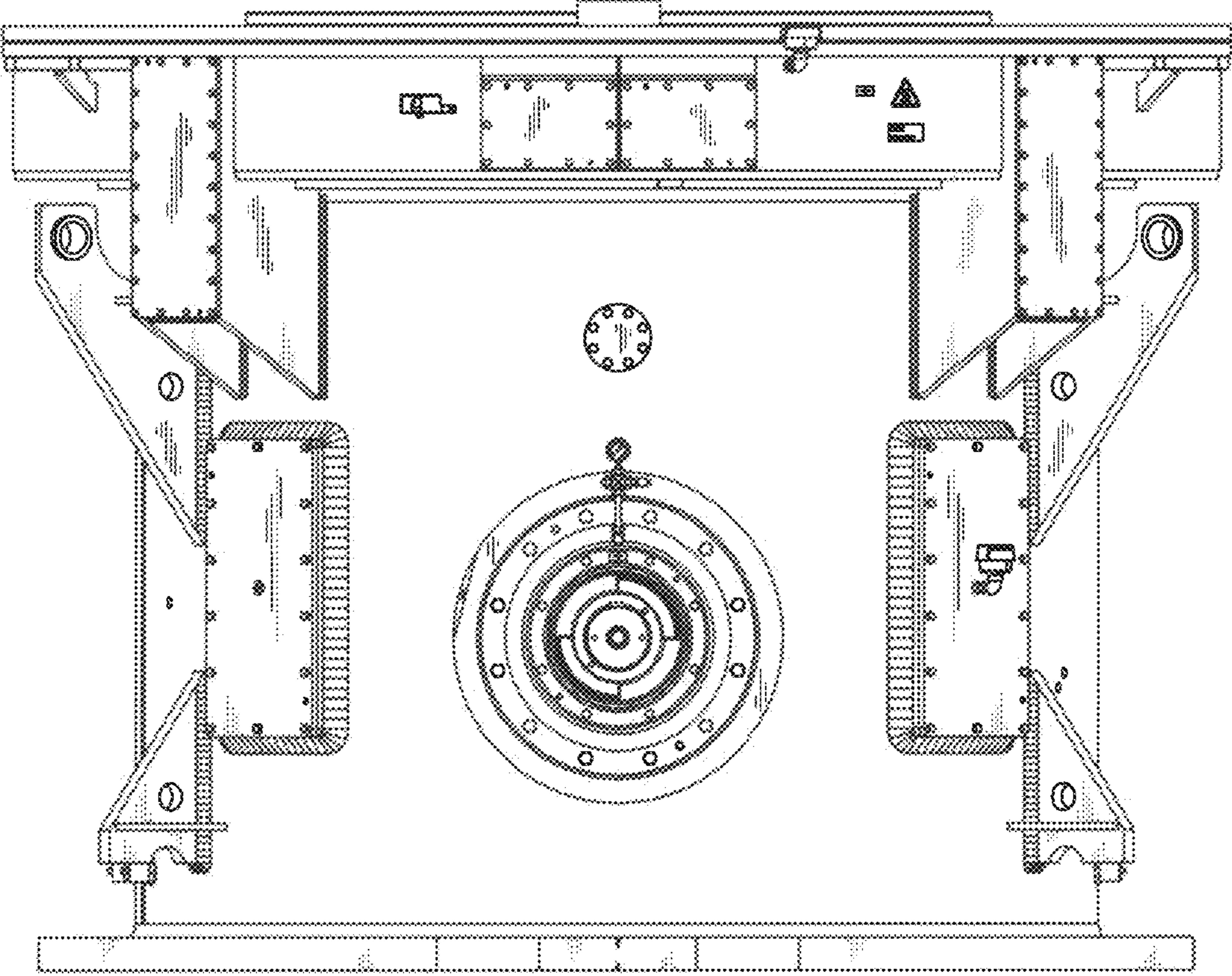


FIG 2

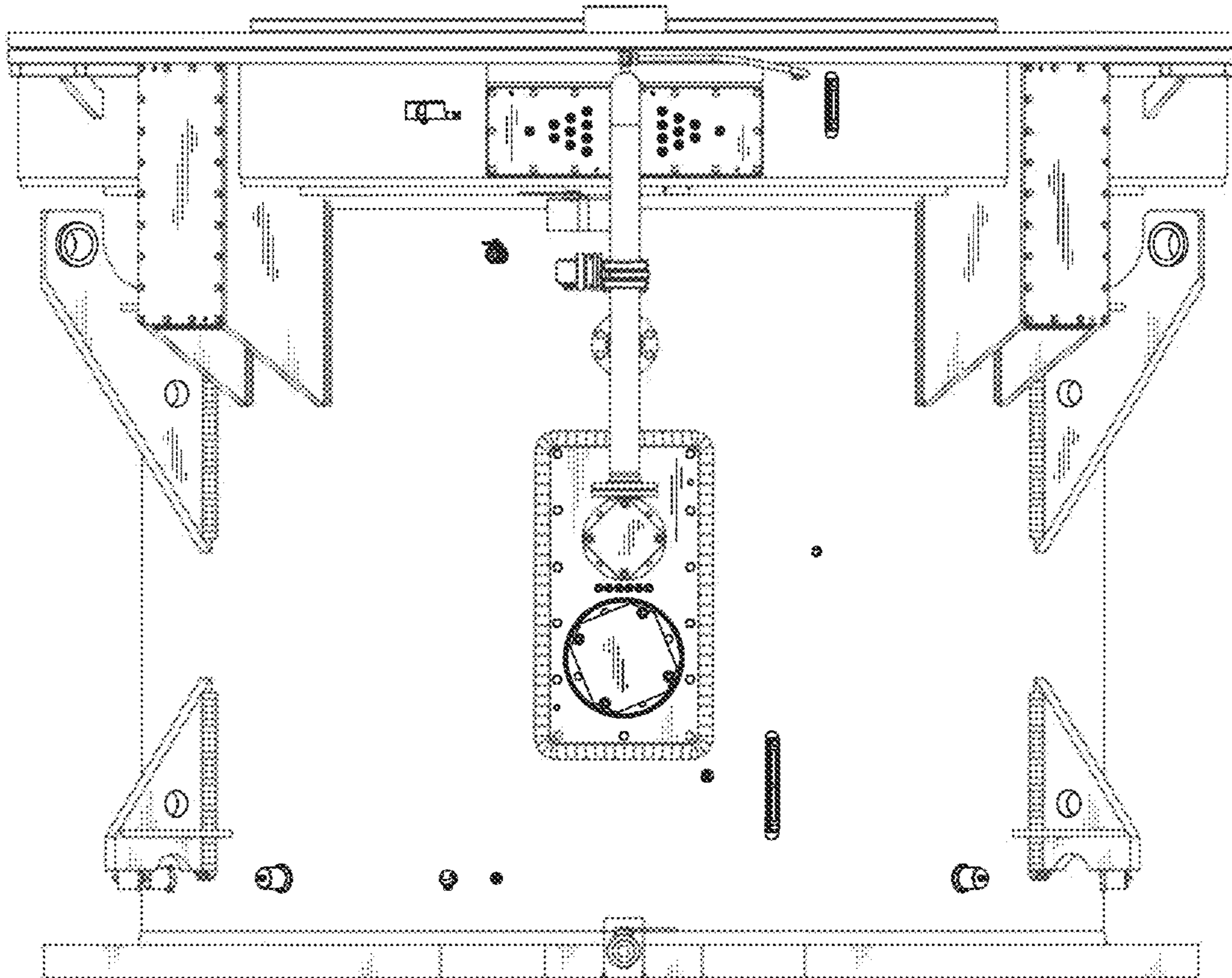


FIG 3

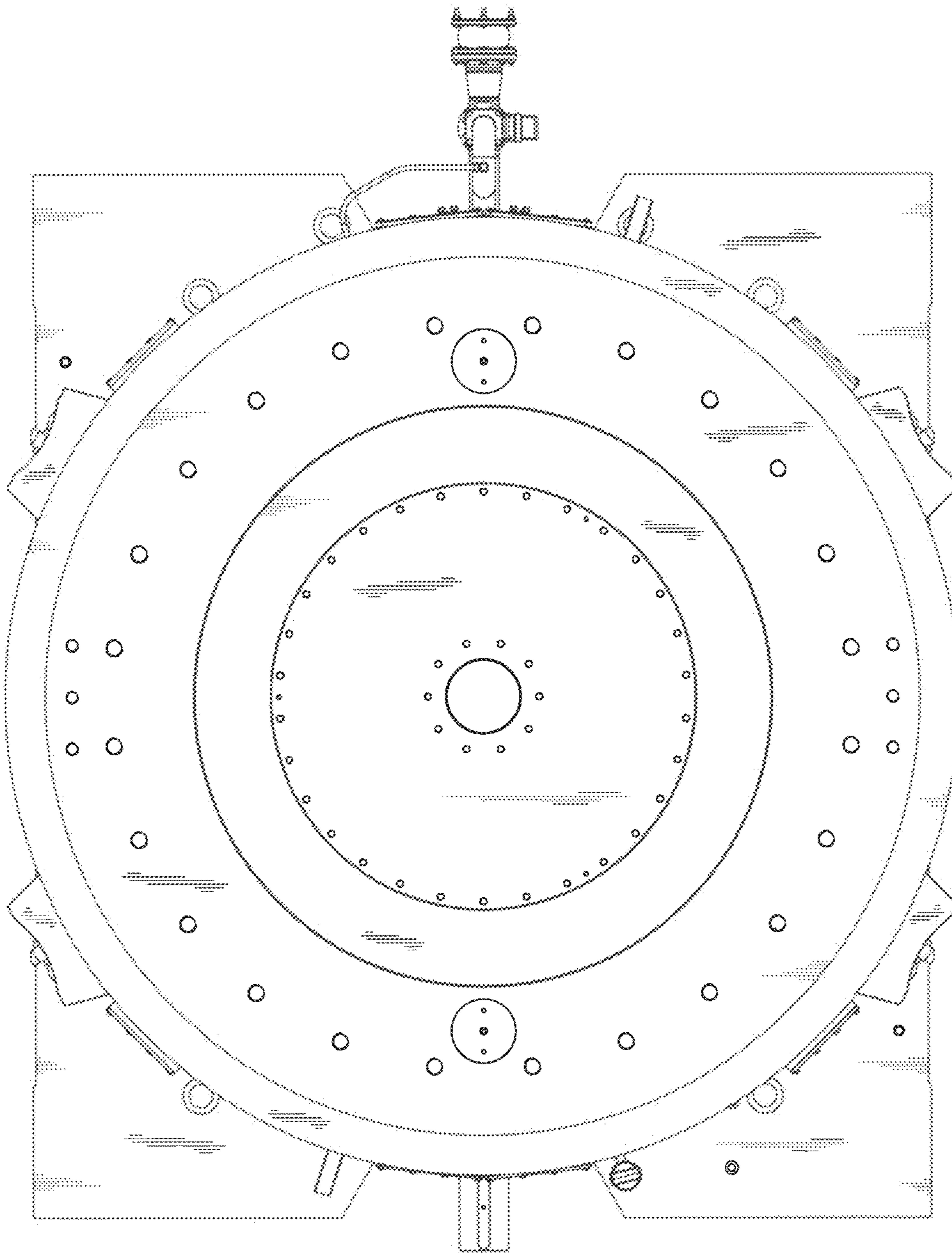


FIG 4

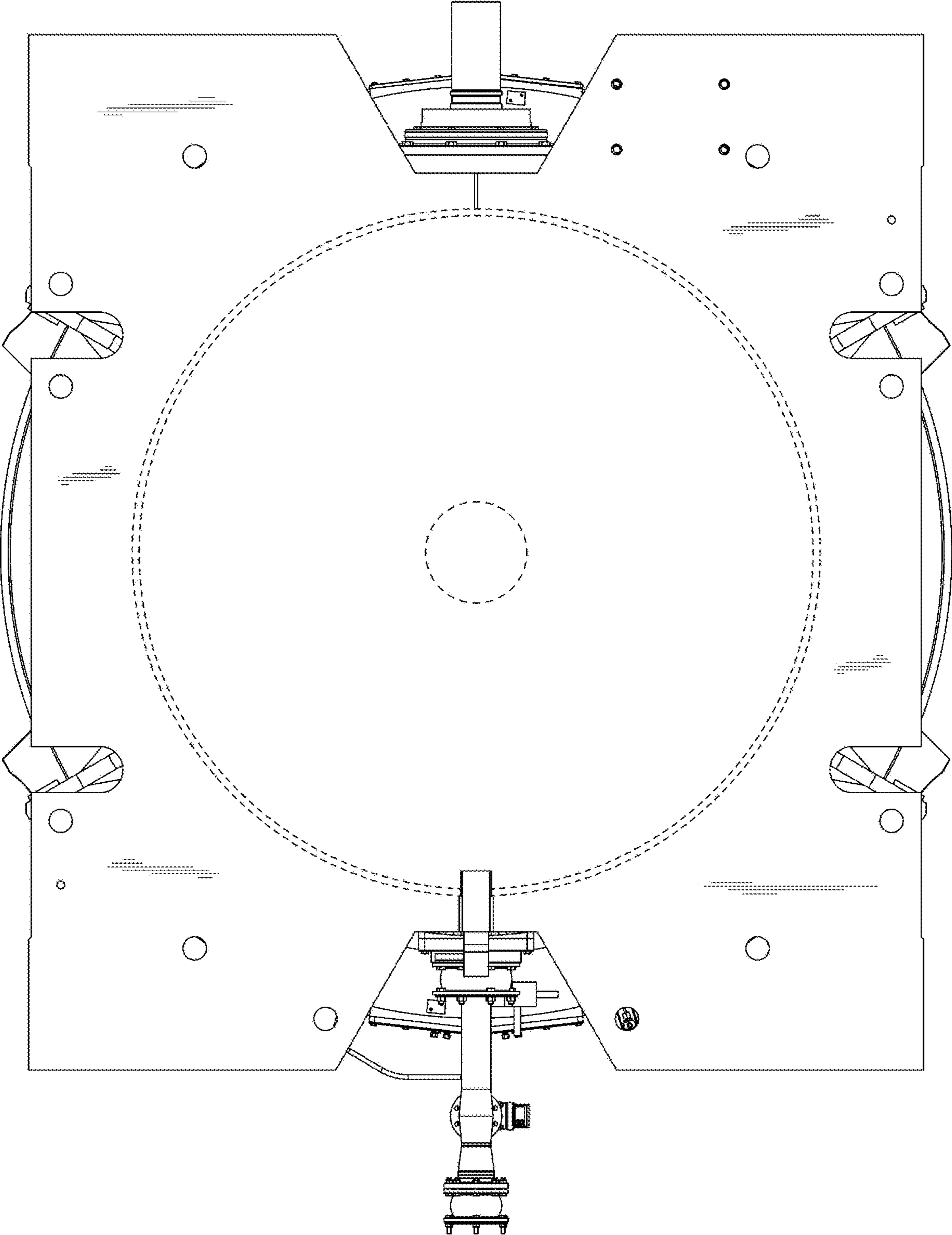


FIG 5

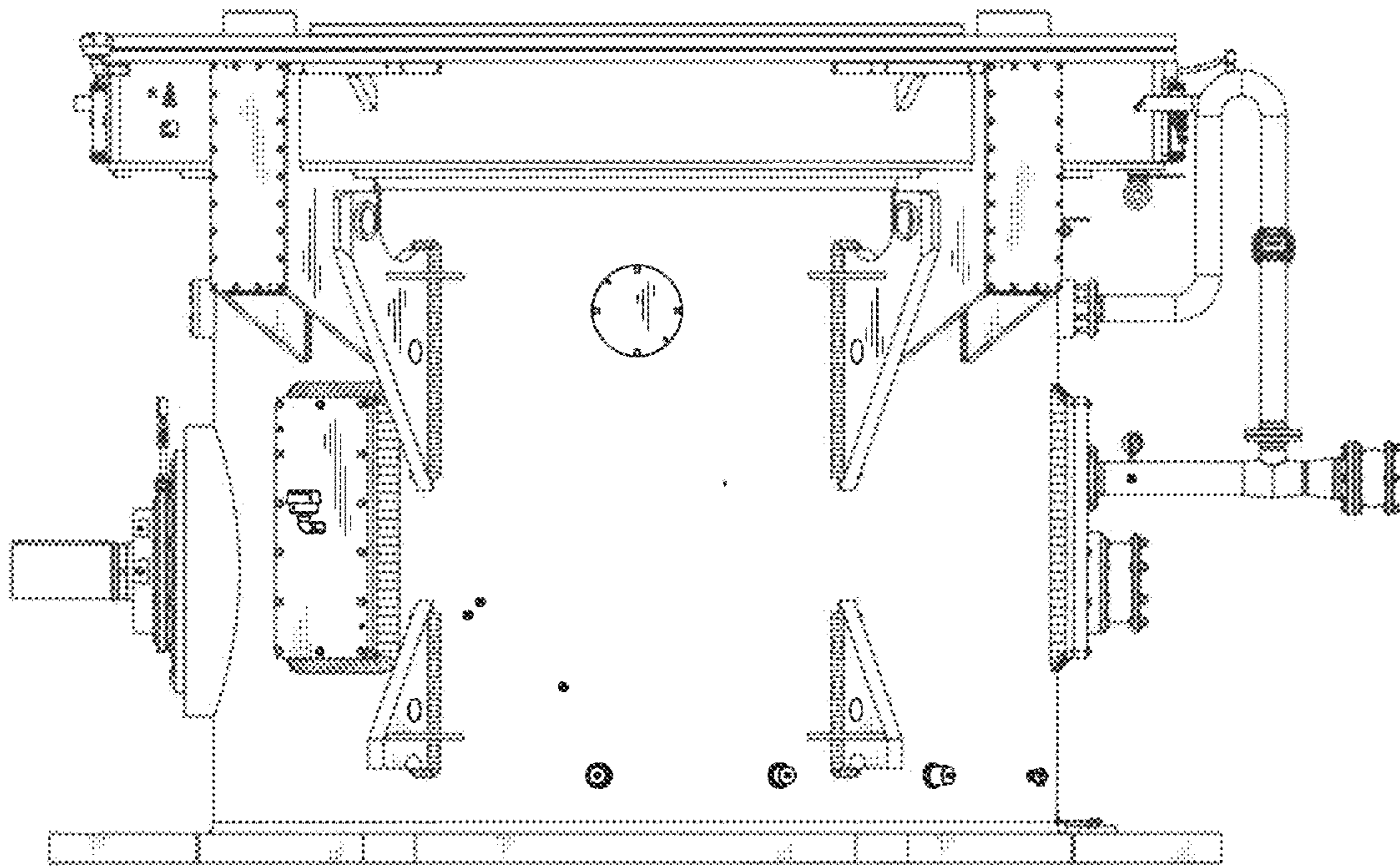


FIG 6

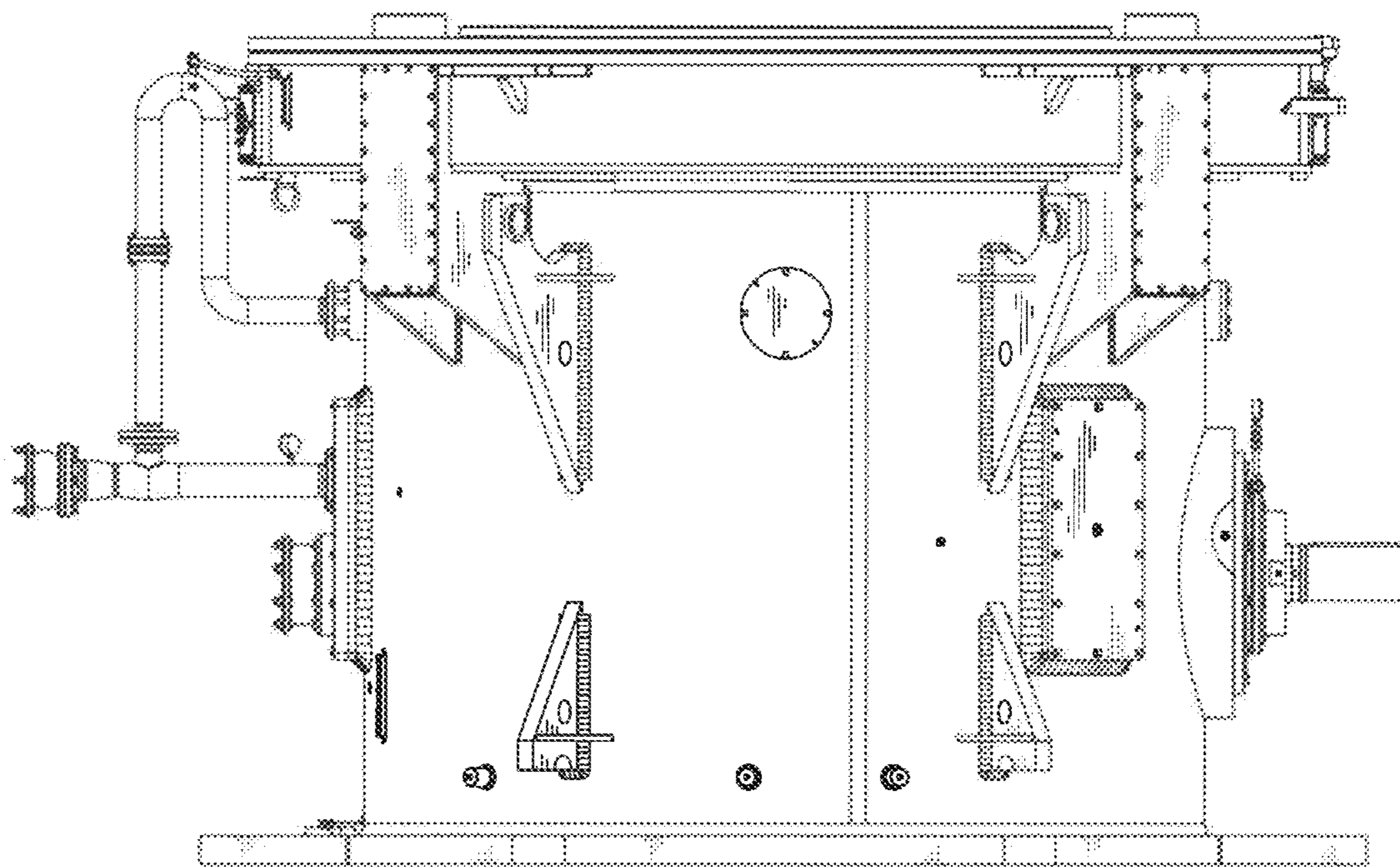




FIG 7

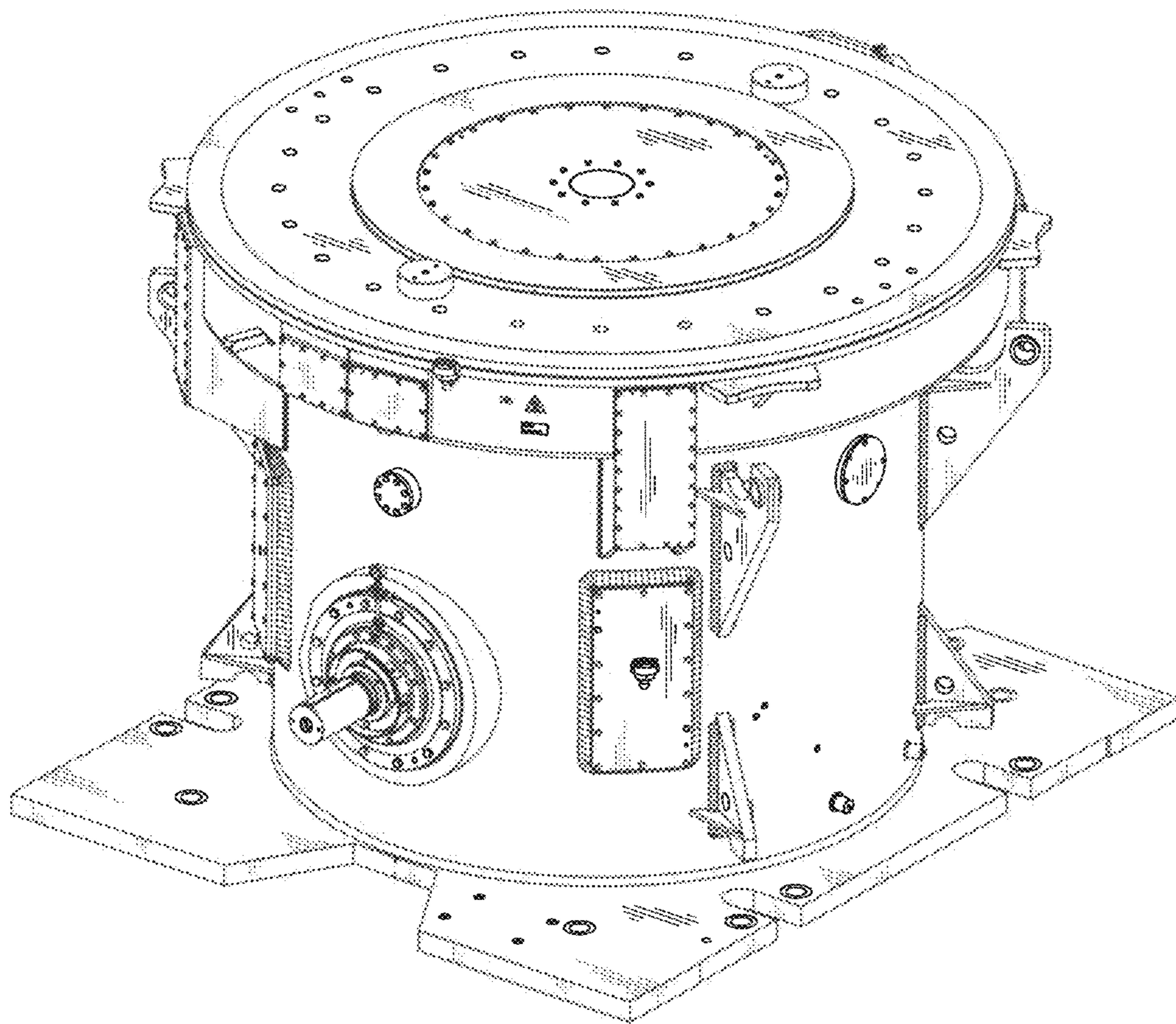


FIG 8

