



US00D931349S

(12) **United States Design Patent**  
**Zhou**

(10) **Patent No.:** **US D931,349 S**

(45) **Date of Patent:** **\*\* \*Sep. 21, 2021**

(54) **SHAKER SCREEN**

(71) Applicant: **HEBEI GN SOLIDS CONTROL CO., LTD.**, Hebei (CN)

(72) Inventor: **Pengxian Zhou**, Hebei (CN)

(73) Assignee: **HEBEI GN SOLIDS CONTROL CO., LTD.**, Langfang (CN)

(\*) Notice: This patent is subject to a terminal disclaimer.

(\*\*) Term: **15 Years**

(21) Appl. No.: **29/618,805**

(22) Filed: **Sep. 25, 2017**

(30) **Foreign Application Priority Data**

Aug. 25, 2017 (CN) ..... 201730397160.9

(51) **LOC (13) Cl.** ..... **15-04**

(52) **U.S. Cl.**  
USPC ..... **D15/147**

(58) **Field of Classification Search**  
USPC ..... D15/147, 122, 131, 132; D23/365, 33;  
D5/1-11, 199

CPC ..... B07B 1/4645; B07B 1/46; B07B 1/4663  
See application file for complete search history.

(56) **References Cited**

**U.S. PATENT DOCUMENTS**

4,892,767	A *	1/1990	Freissle	.....	B07B 1/4645
					209/414
D353,476	S *	12/1994	Davis	.....	D30/106
D366,040	S *	1/1996	Leone, Sr.	.....	D15/147
D377,182	S *	1/1997	Simpson	.....	D15/147
D377,656	S *	1/1997	Leone	.....	D15/147
5,842,578	A *	12/1998	Cordeiro	.....	B07B 1/005
					209/420

6,216,367	B1 *	4/2001	Tubbs	.....	B03B 5/26
					209/474
D480,096	S *	9/2003	Hovian	.....	D15/147
6,799,681	B1 *	10/2004	Warren	.....	B03B 5/26
					209/268
D591,779	S *	5/2009	Malmberg	.....	D15/144
D592,688	S *	5/2009	Malmberg	.....	D15/144
D594,043	S *	6/2009	Malmberg	.....	D15/144
D594,044	S *	6/2009	Malmberg	.....	D15/144
D594,045	S *	6/2009	Malmberg	.....	D15/144
D651,624	S *	1/2012	Furukawa	.....	D15/147
8,171,601	B1 *	5/2012	Yurkon	.....	D01B 3/00
					19/200
D722,365	S *	2/2015	Bernoti	.....	D23/259
D728,630	S *	5/2015	Vetter	.....	D15/21
D736,286	S *	8/2015	Vetter	.....	D15/147

(Continued)

**FOREIGN PATENT DOCUMENTS**

CA	2972663	A1 *	7/2016
CA	2998751	A1 *	3/2017

*Primary Examiner* — Michael C Stout

*Assistant Examiner* — Fritzgerald L Butac

(74) *Attorney, Agent, or Firm* — Ladas & Parry LLP

(57) **CLAIM**

The ornamental design for the shaker screen, as shown.

**DESCRIPTION**

FIG. 1 is a top plan view of a shaker screen in accordance with the present invention;

FIG. 2 is a bottom plan view thereof;

FIG. 3 is a left side elevation view thereof;

FIG. 4 is a right side elevation view thereof;

FIG. 5 is a front elevation view thereof;

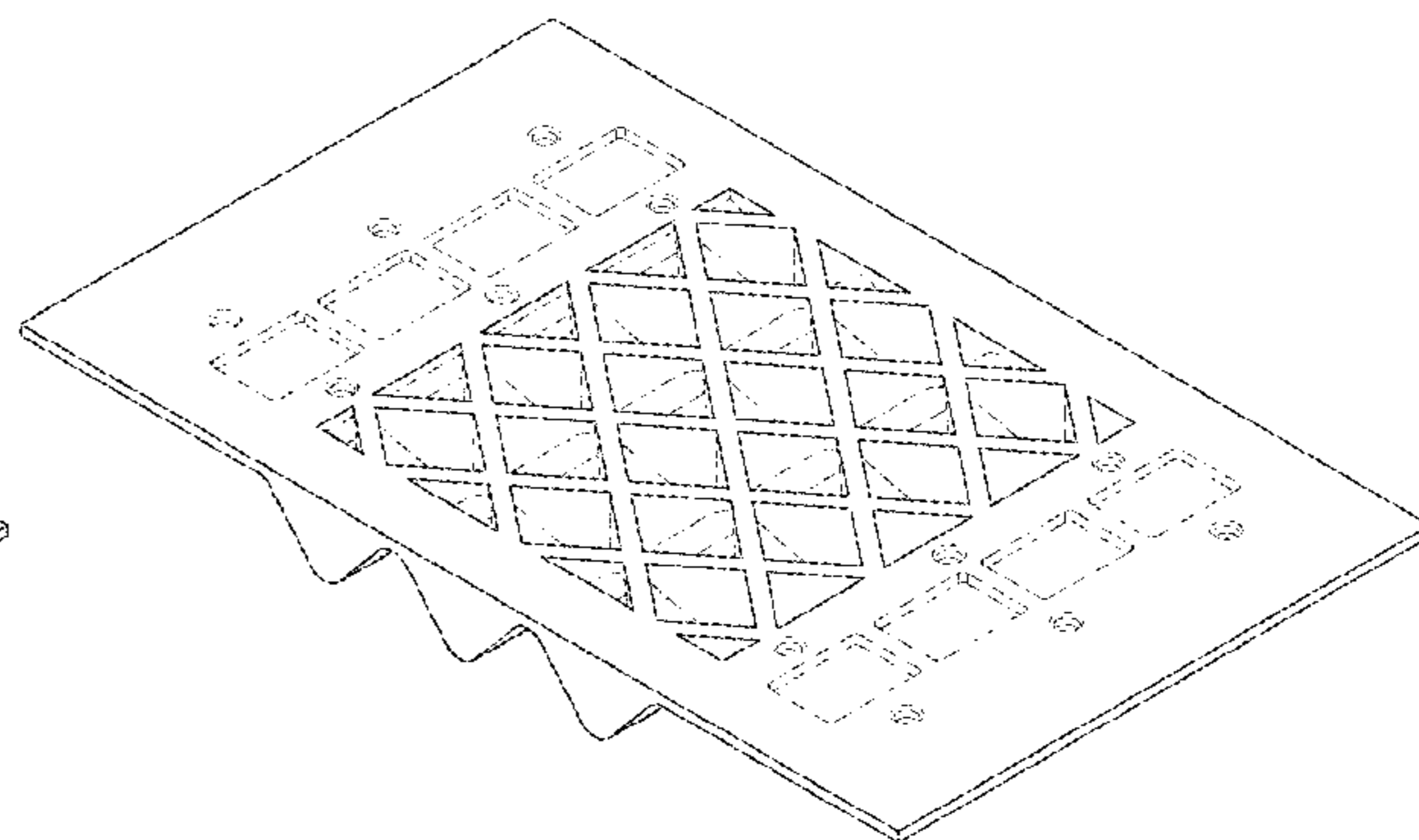
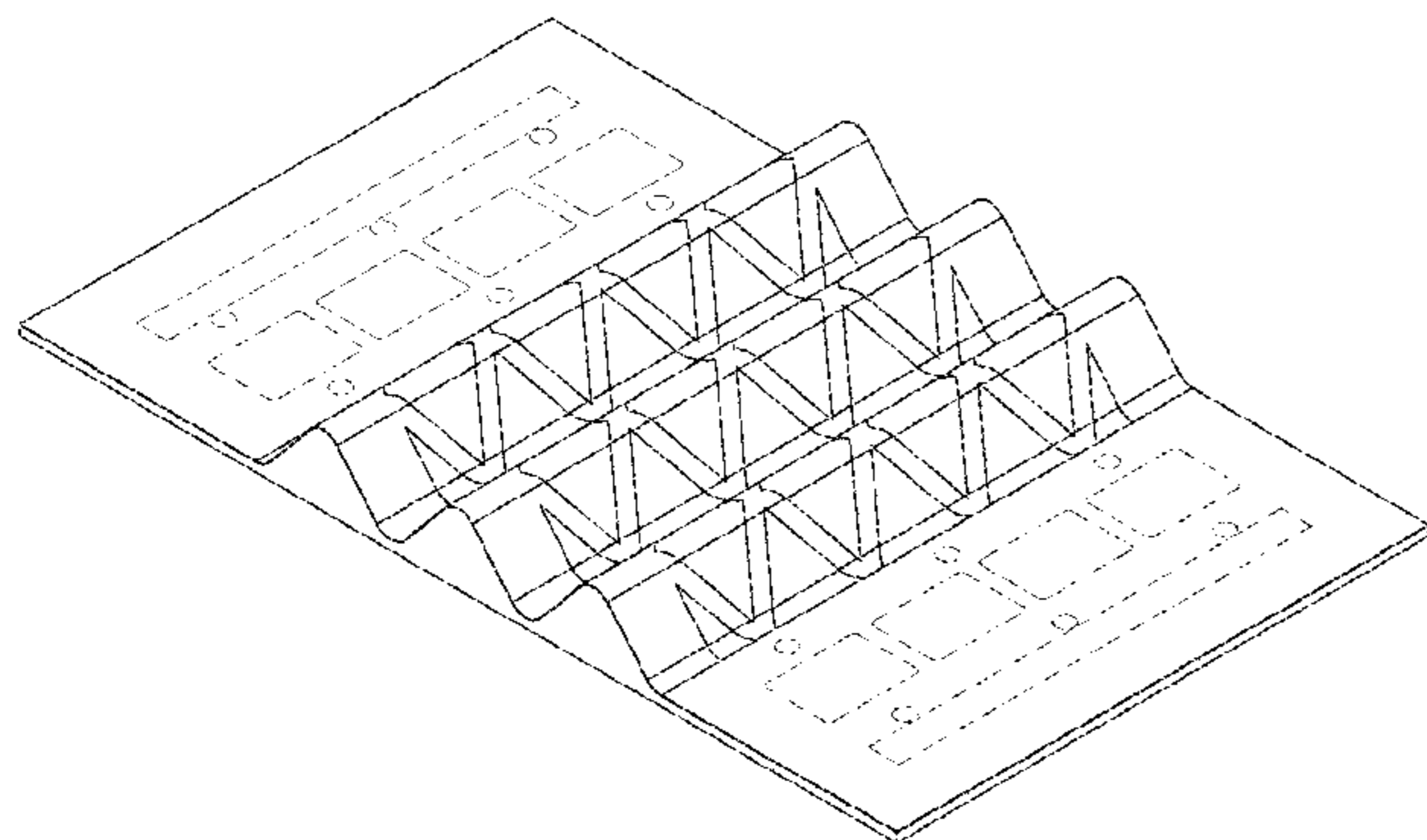
FIG. 6 is a back elevation view thereof;

FIG. 7 is a top perspective view thereof; and,

FIG. 8 is a bottom perspective view thereof.

The broken lines show portions of the shaker screen that form no part of the claimed design.

**1 Claim, 8 Drawing Sheets**



(56)

**References Cited**

U.S. PATENT DOCUMENTS

D736,287	S *	8/2015	Vetter	.....	D15/147
D736,288	S *	8/2015	Vetter	.....	D15/147
D736,842	S *	8/2015	Vetter	.....	D15/147
D739,886	S *	9/2015	Vetter	.....	D15/147
D745,073	S *	12/2015	Malmberg	.....	D15/147
D761,893	S *	7/2016	Vetter	.....	D15/147
D768,745	S *	10/2016	Vetter	.....	D15/147
9,801,344	B1 *	10/2017	Lehan	.....	B07B 1/40
D809,036	S *	1/2018	Vetter	.....	D15/147
D818,510	S *	5/2018	Bell	.....	D15/147
D822,734	S *	7/2018	Malmberg	.....	D15/147
2014/0291238	A1 *	10/2014	Cady	.....	B07B 1/4618 210/498
2015/0122500	A1 *	5/2015	Cady	.....	B07B 1/4645 166/312
2017/0209901	A1 *	7/2017	Quinn	.....	B07B 1/4645
2019/0374976	A1 *	12/2019	Herrington	.....	B07B 1/469
2020/0055089	A1 *	2/2020	Mumm	.....	B07B 1/4645

\* cited by examiner

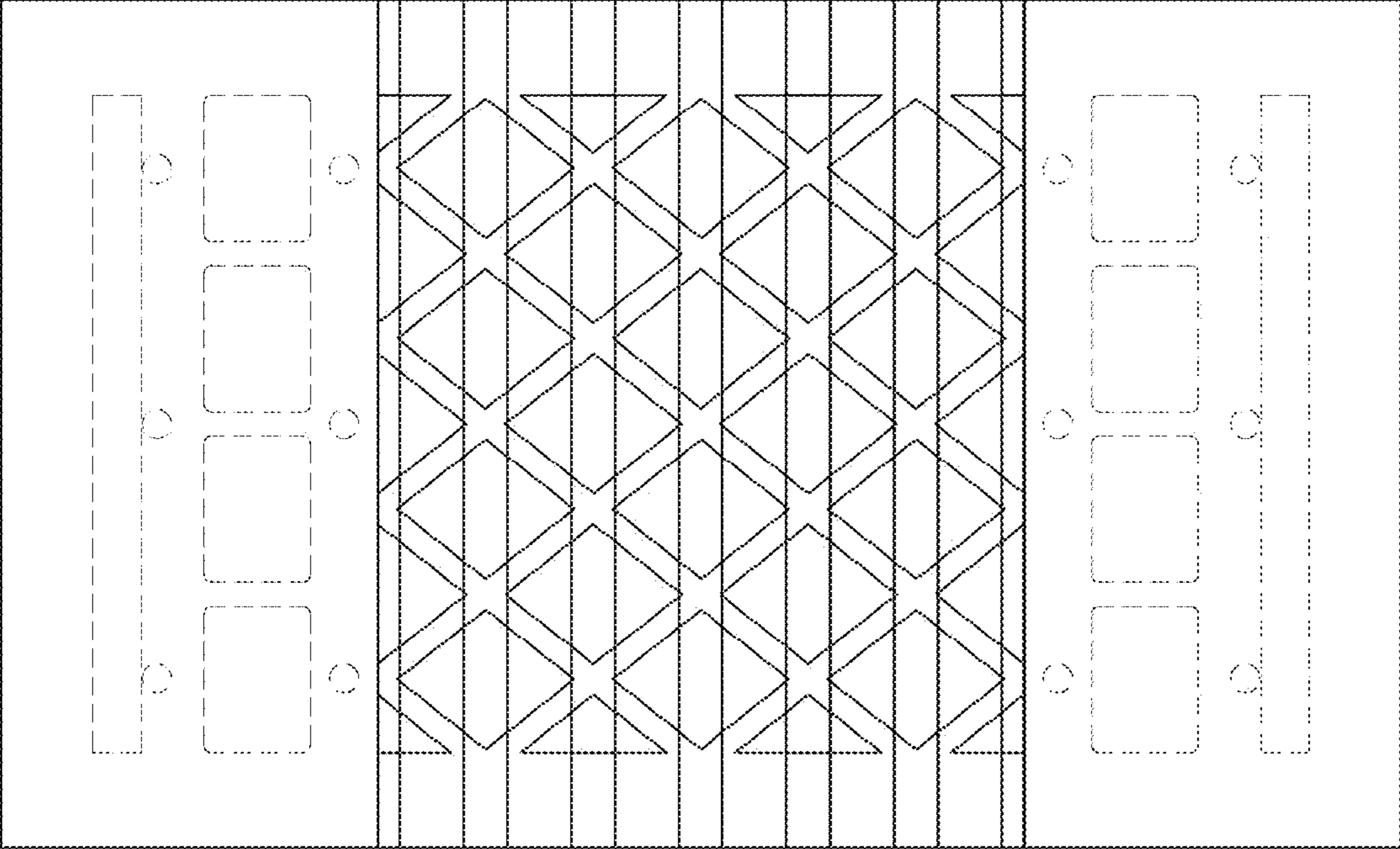


FIG. 1

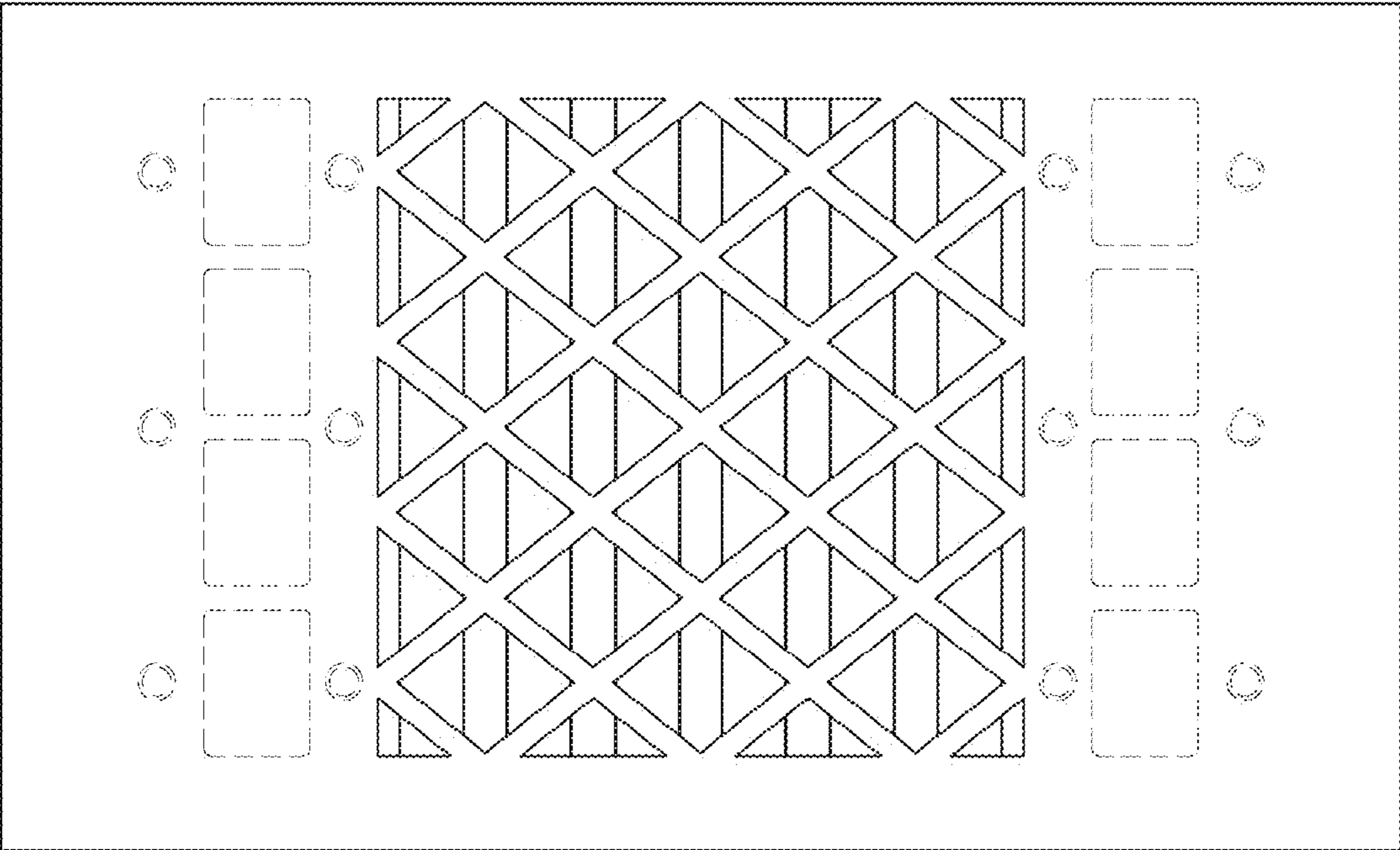


FIG. 2

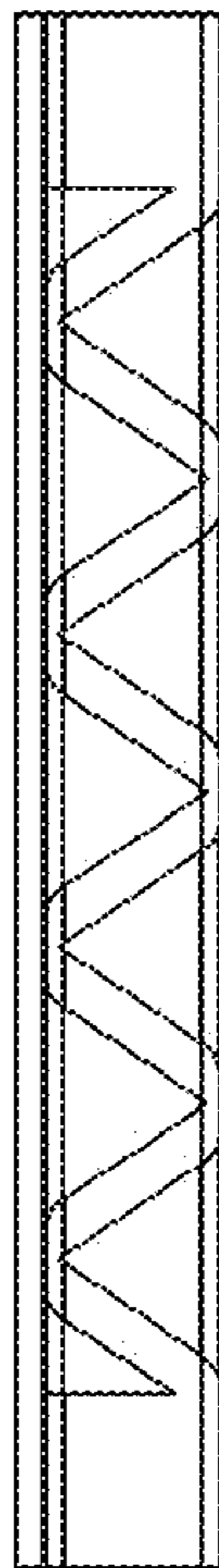


FIG. 3

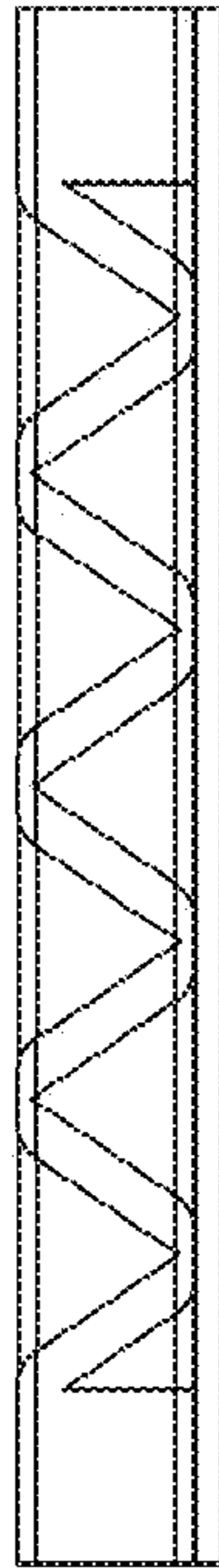


FIG. 4

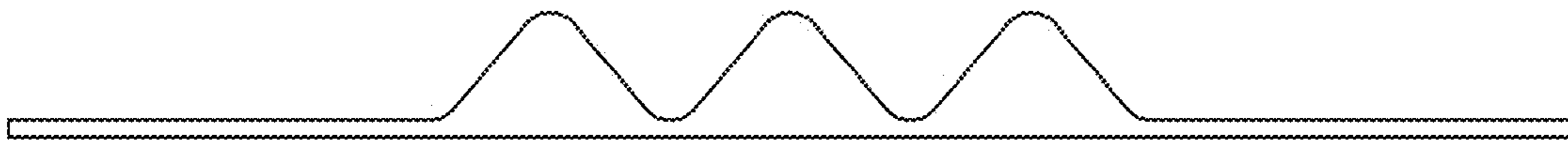


FIG. 5

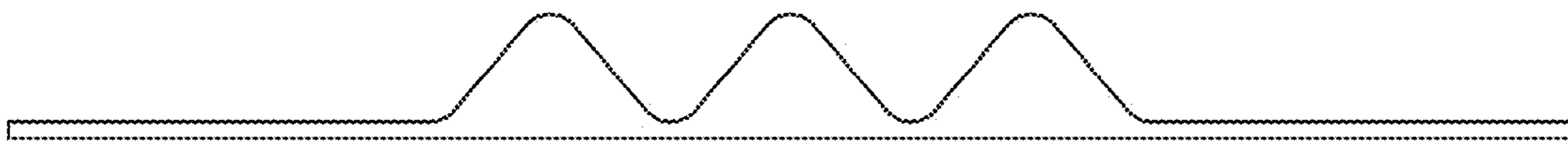


FIG. 6



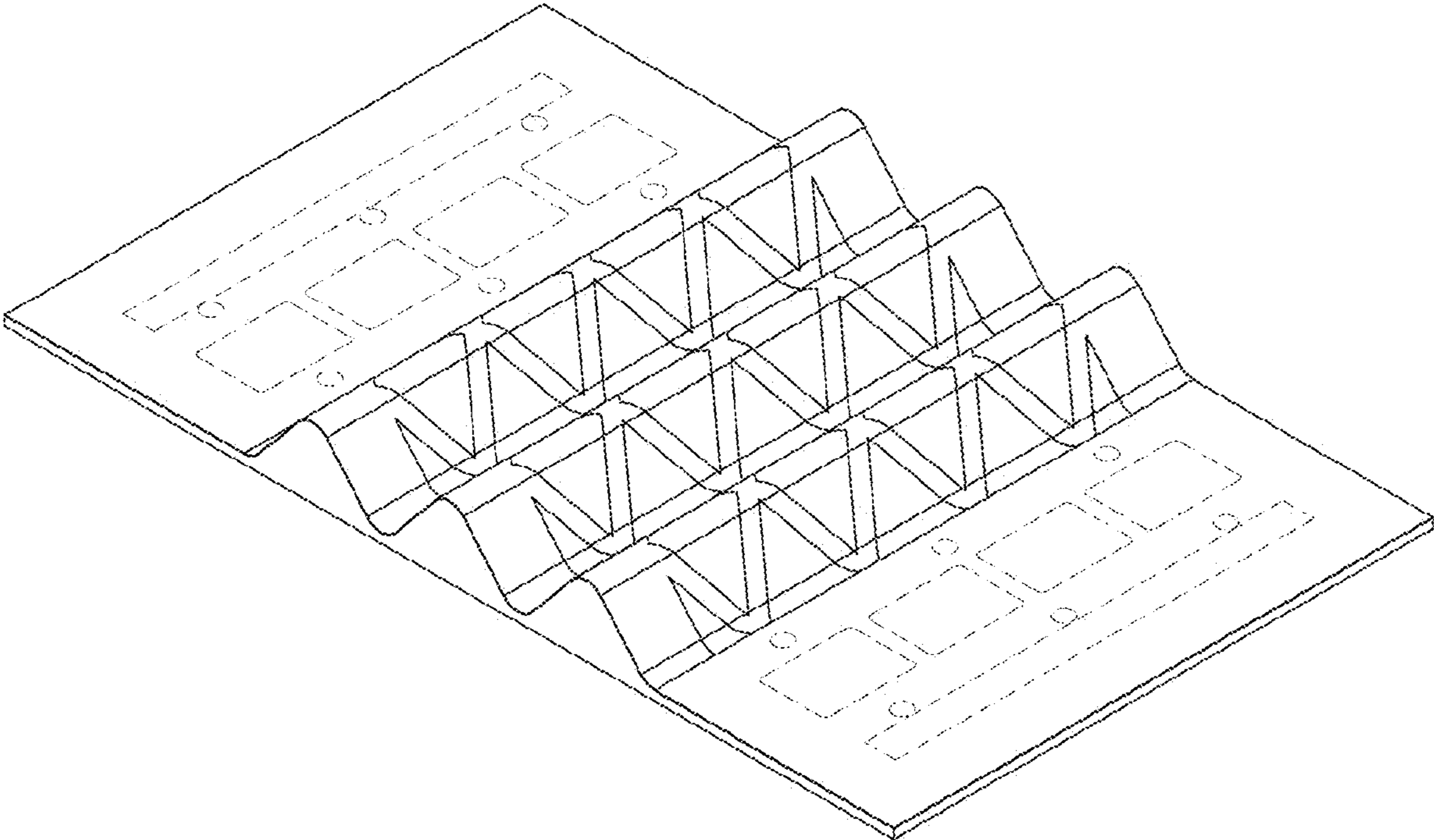


FIG. 7

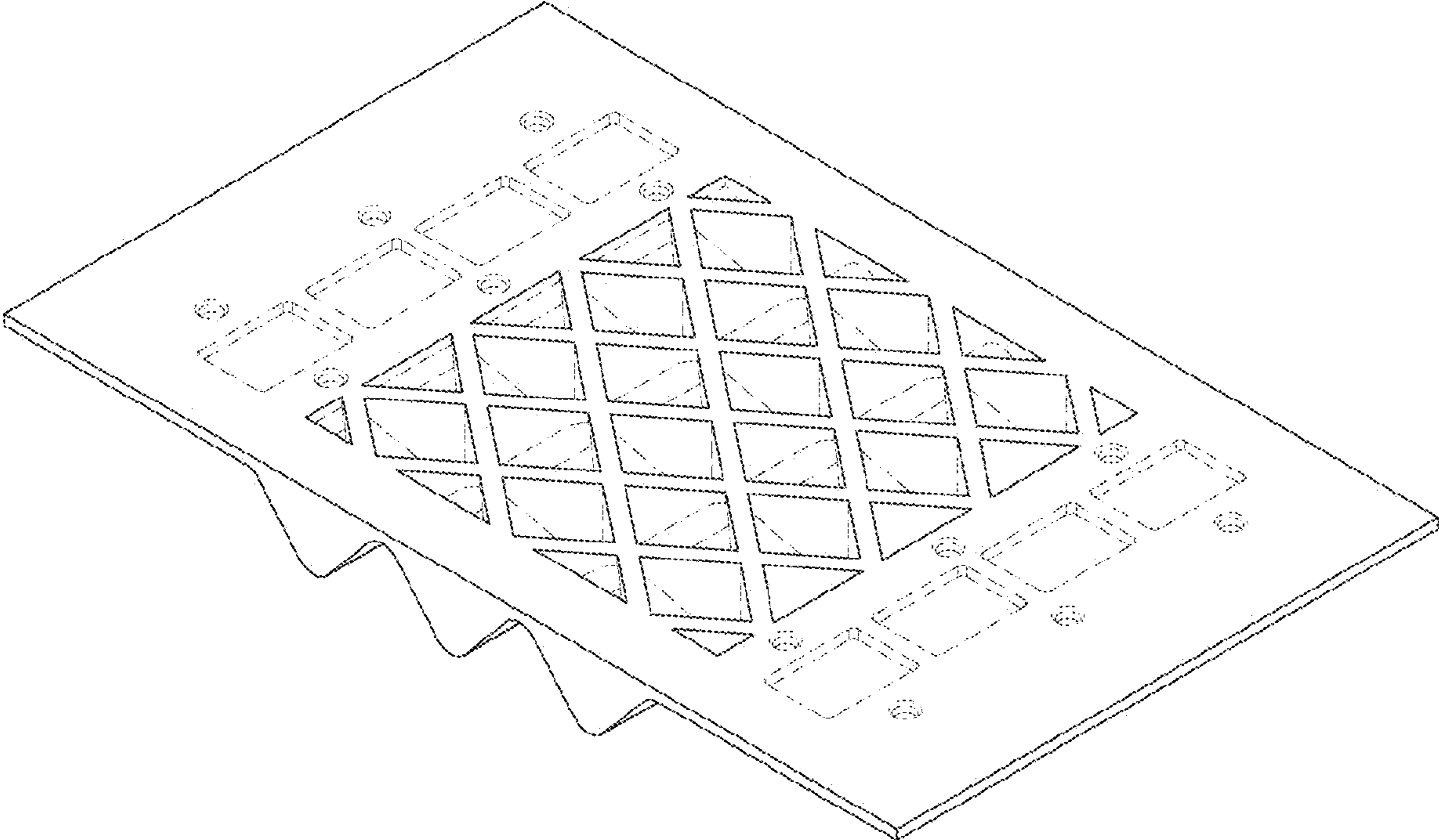


FIG. 8