



US00D931347S

(12) **United States Design Patent** (10) **Patent No.:** **US D931,347 S**
Sato et al. (45) **Date of Patent:** **** Sep. 21, 2021**

(54) **SCROLL MEMBER OF A SCROLL FLUID MACHINE**

FOREIGN PATENT DOCUMENTS

(71) Applicant: **mitsubishi Heavy Industries Thermal Systems, Ltd.**, Tokyo (JP)

EP 2 740 938 A1 6/2014
JP 2002-22778 A 8/2002
(Continued)

(72) Inventors: **Hajime Sato**, Tokyo (JP); **Yoshiyuki Kimata**, Tokyo (JP); **Takahide Ito**, Tokyo (JP)

OTHER PUBLICATIONS
“Piston manufacturer supporting clean engines with its leading-edge technology”, p. 3, JPO Design Division Public Document No. HN1302460400, Nov. 26, 2001, total 3 pages.
(Continued)

(73) Assignee: **mitsubishi Heavy Industries Thermal Systems, Ltd.**, Tokyo (JP)

Primary Examiner — Ania Aman
(74) *Attorney, Agent, or Firm* — Birch, Stewart, Kolasch & Birch, LLP

(**) Term: **15 Years**

(57) **CLAIM**

(21) Appl. No.: **29/595,512**

The ornamental design for a scroll member of a scroll fluid machine, as shown and described.

(22) Filed: **Feb. 28, 2017**

DESCRIPTION

(30) **Foreign Application Priority Data**

Aug. 31, 2016 (JP) 2016-018715
(51) **LOC (13) Cl.** **15-09**
(52) **U.S. Cl.**
USPC **D15/138**
(58) **Field of Classification Search**
USPC D15/7-9, 138, 147, 5; D23/231, 232, D23/225

FIG. 1 is a front view of a scroll member of a scroll fluid machine showing our new design;
FIG. 2 is a rear view thereof;
FIG. 3 is a top view thereof;
FIG. 4 is a bottom view thereof;
FIG. 5 is a right side view thereof;
FIG. 6 is a left side view thereof;
FIG. 7 is a perspective view thereof in the direction of arrow 7 of FIG. 3;
FIG. 8 is a perspective view thereof in the direction of arrow 8 of FIG. 3;
FIG. 9 is a sectional view along line 9-9 of FIG. 3;
FIG. 10 is a sectional view along line 10-10 of FIG. 3; and,
FIG. 11 is a reference top view wherein the shaded area represents the claimed portion of the present design.
The evenly spaced broken lines depict portions of the scroll member of a scroll fluid machine that form no part of the claimed design; the dash-dot broken lines define the boundary of the claimed design and form no part thereof.

(Continued)

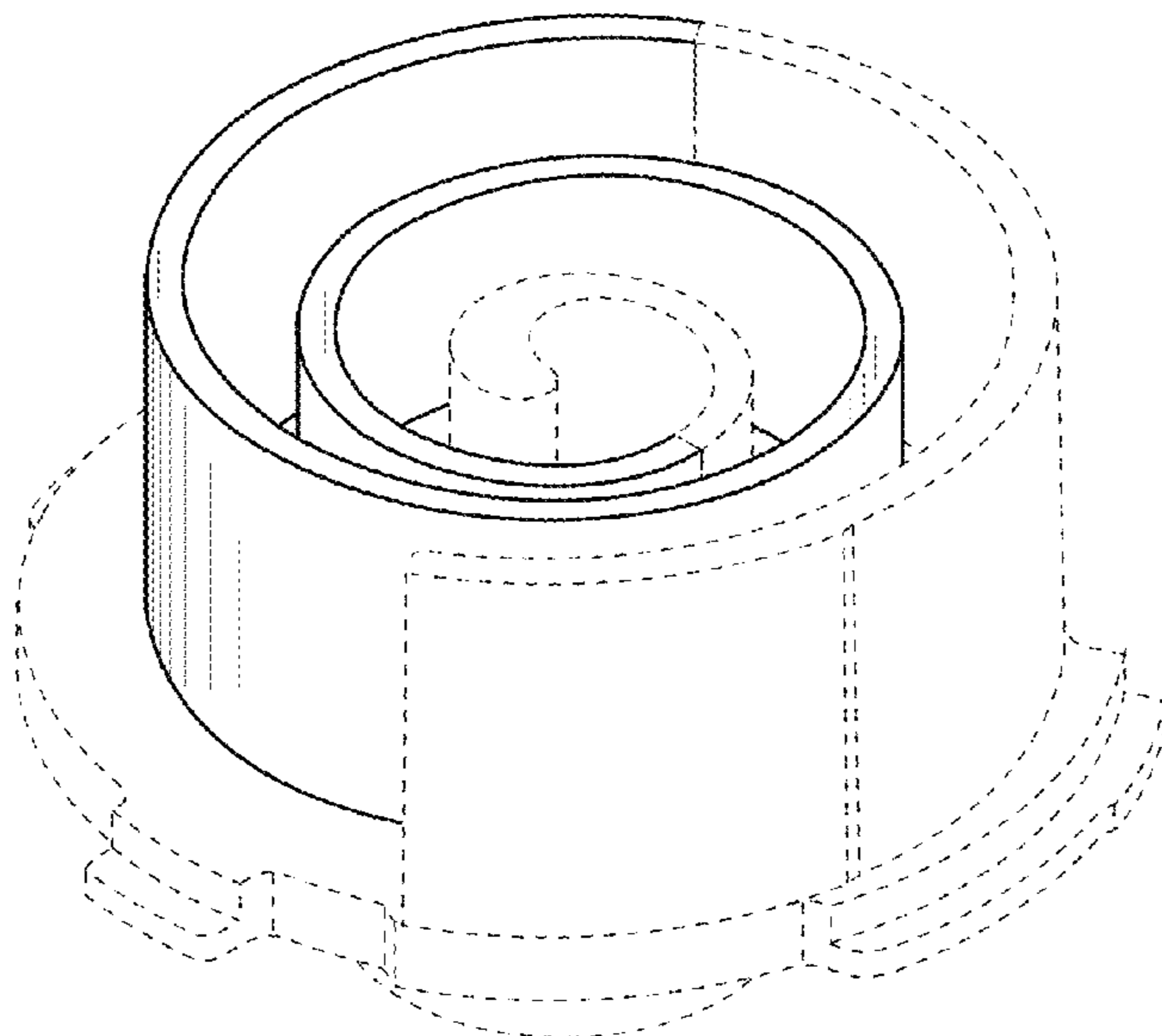
(56) **References Cited**

U.S. PATENT DOCUMENTS

D258,589 S 3/1981 Sugiura
4,453,899 A * 6/1984 Hiraga F01C 19/08
277/399

(Continued)

1 Claim, 6 Drawing Sheets



(58) **Field of Classification Search**

CPC F04C 18/0215; F04C 18/0276; F04C
2230/00

See application file for complete search history.

D583,391 S 12/2008 Metcalfe
D586,826 S 2/2009 Cantrill et al.
D603,878 S 11/2009 Chu
D624,631 S 9/2010 Cantrill et al.
8,967,986 B2* 3/2015 Harashima F01C 19/005
277/357

(56) **References Cited**

U.S. PATENT DOCUMENTS

4,627,799 A * 12/1986 Terauchi F01C 19/08
277/399
4,648,814 A 3/1987 Shiibayashi
4,652,363 A 3/1987 Miller
4,655,697 A * 4/1987 Nakamura F01C 1/0215
418/142
4,753,583 A * 6/1988 Hiraga F04C 27/005
277/361
5,037,279 A * 8/1991 Suefuji F04C 18/0269
418/150
5,295,808 A 3/1994 Machida et al.
5,427,512 A 6/1995 Kohsokabe et al.
5,458,472 A * 10/1995 Kobayashi F04C 29/0021
418/55.5
D378,120 S * 2/1997 Wood D23/201
5,624,247 A * 4/1997 Nakamura F04C 18/0215
418/55.2
5,702,241 A * 12/1997 Matsumoto F04C 27/005
418/142
5,775,888 A 7/1998 Sakamoto et al.
5,803,723 A * 9/1998 Suefuji F01C 17/063
418/55.2
D415,181 S 10/1999 Rogers et al.
D415,182 S 10/1999 Rogers et al.
6,074,185 A * 6/2000 Protos F04C 18/0284
418/142
6,210,137 B1 4/2001 Kobayashi et al.
6,224,357 B1 5/2001 Komai et al.
D443,281 S 6/2001 Sodergard
6,267,572 B1 7/2001 Suefuji et al.
D464,067 S 10/2002 Rogers et al.
6,544,014 B2* 4/2003 Kobayashi F04C 18/0284
418/15
7,225,790 B2 8/2007 Rogers et al.

9,353,748 B2* 5/2016 Hockliffe F04C 27/005
D822,746 S * 7/2018 Sebring D16/215
D828,400 S 9/2018 Cinotti et al.
D863,381 S * 10/2019 Sato D15/138
2004/0197090 A1* 10/2004 Kudo F24H 7/0408
392/341
2008/0101973 A1 5/2008 Iwano et al.
2008/0145253 A1* 6/2008 Uekawa F01C 17/00
418/55.3
2008/0240957 A1 10/2008 Yanagisawa
2008/0304994 A1 12/2008 Ohtahara et al.
2010/0303661 A1 12/2010 Kimata et al.
2014/0119970 A1* 5/2014 Kobayashi F01C 1/0215
418/55.4
2017/0209875 A1 7/2017 MacLean et al.
2017/0232454 A1 8/2017 Irvin, Sr.
2018/0085761 A1 3/2018 Dressler et al.
2018/0355722 A1* 12/2018 Watanabe F01C 21/04

FOREIGN PATENT DOCUMENTS

JP 2006-192450 A 7/2006
JP 2009-299498 A 12/2009
JP 2013-36366 A 2/2013
JP 2014-237300 A 12/2014

OTHER PUBLICATIONS

Office Action for JP 2016-018714 dated Feb. 7, 2017.
Office Action for JP 2016-018715 dated Feb. 7, 2017.
The Decision to Grant a Patent has been received for JP 2016-018714 dated Feb. 7, 2017.
The Decision to Grant a Patent has been received for JP 2016-018715 dated Feb. 7, 2017.
Office Action issued in copending U.S. Appl. No. 29/595,470, dated Jan. 11, 2019.

* cited by examiner

Figure 1

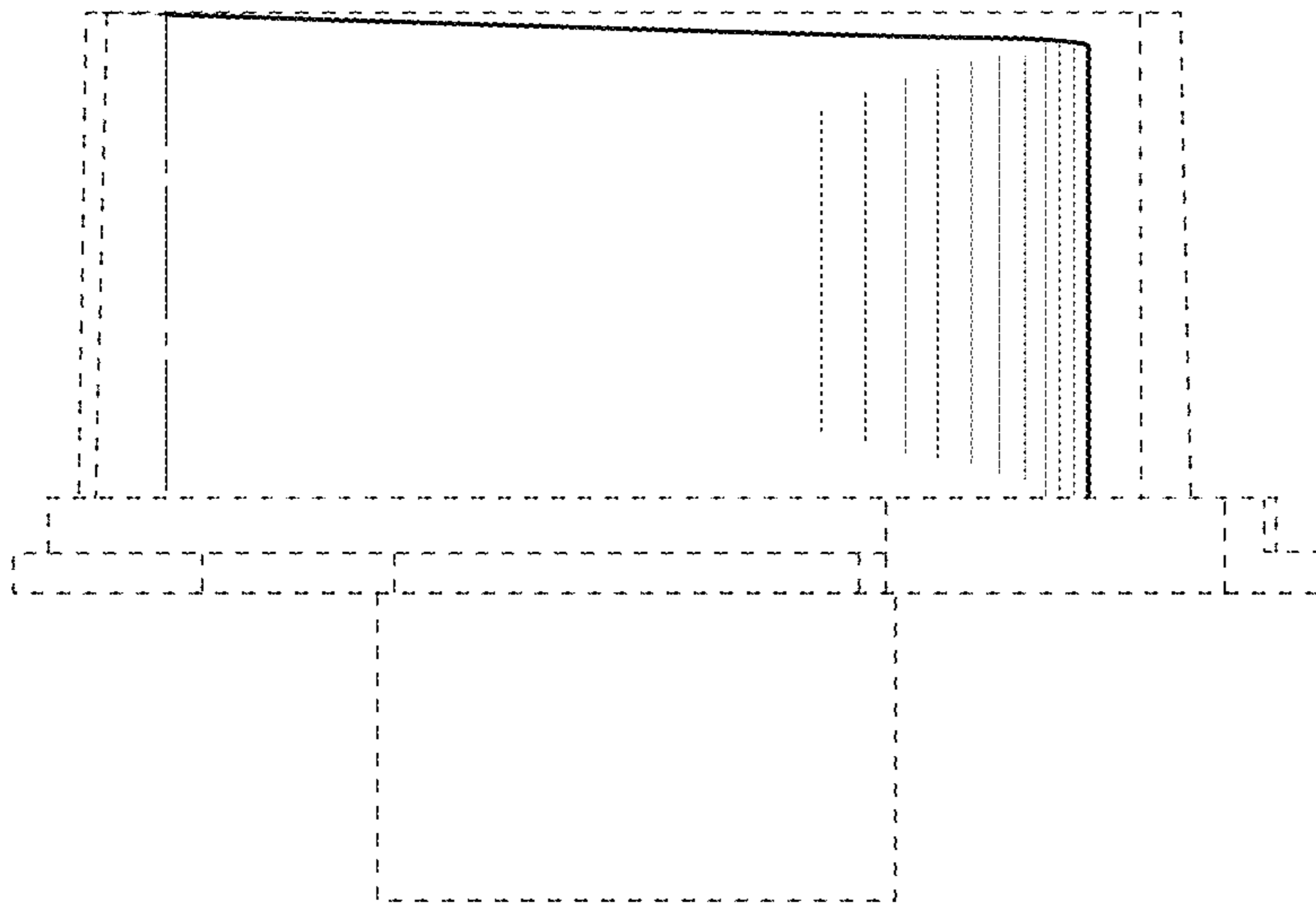


Figure 2

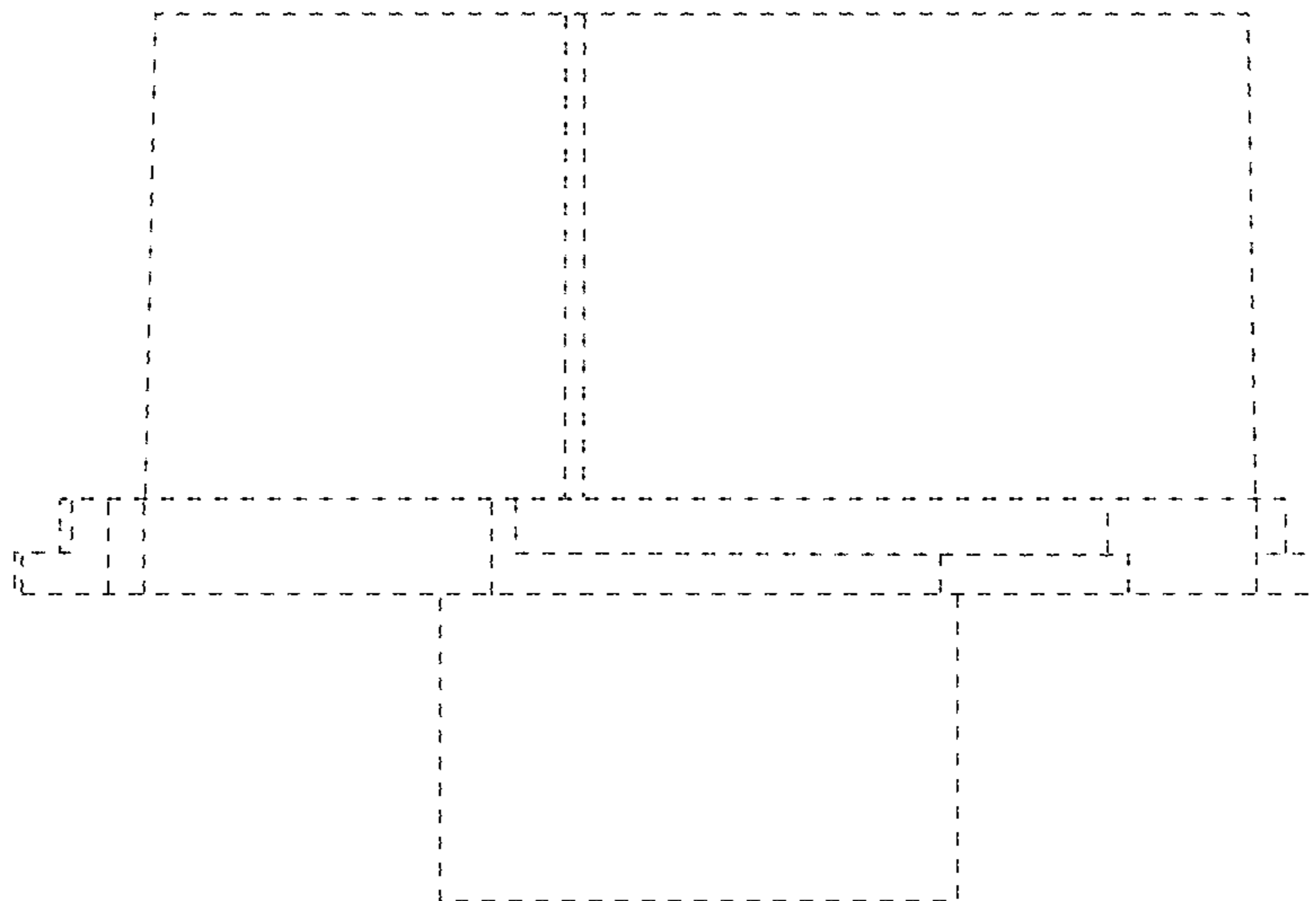


Figure 3

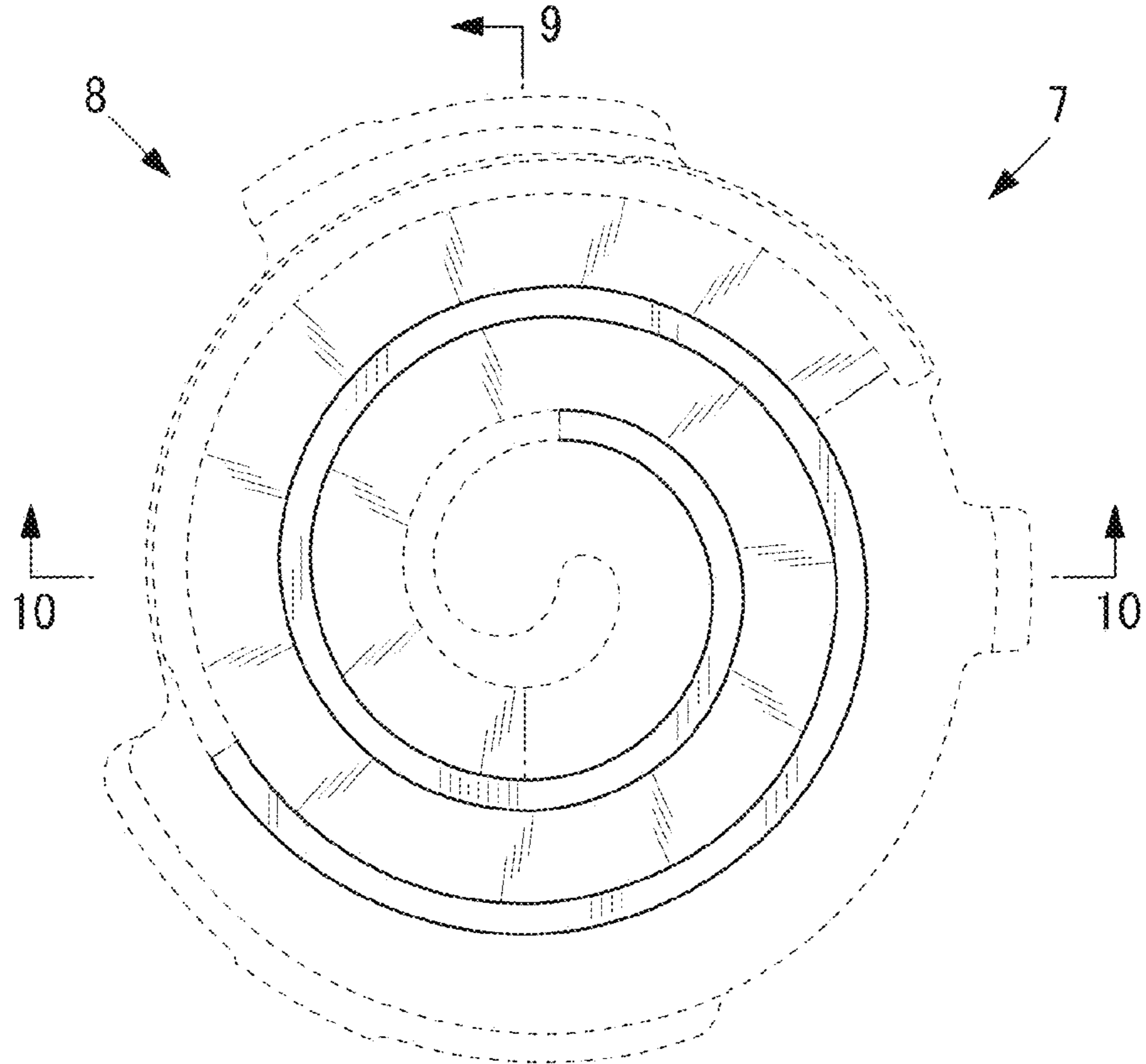


Figure 4

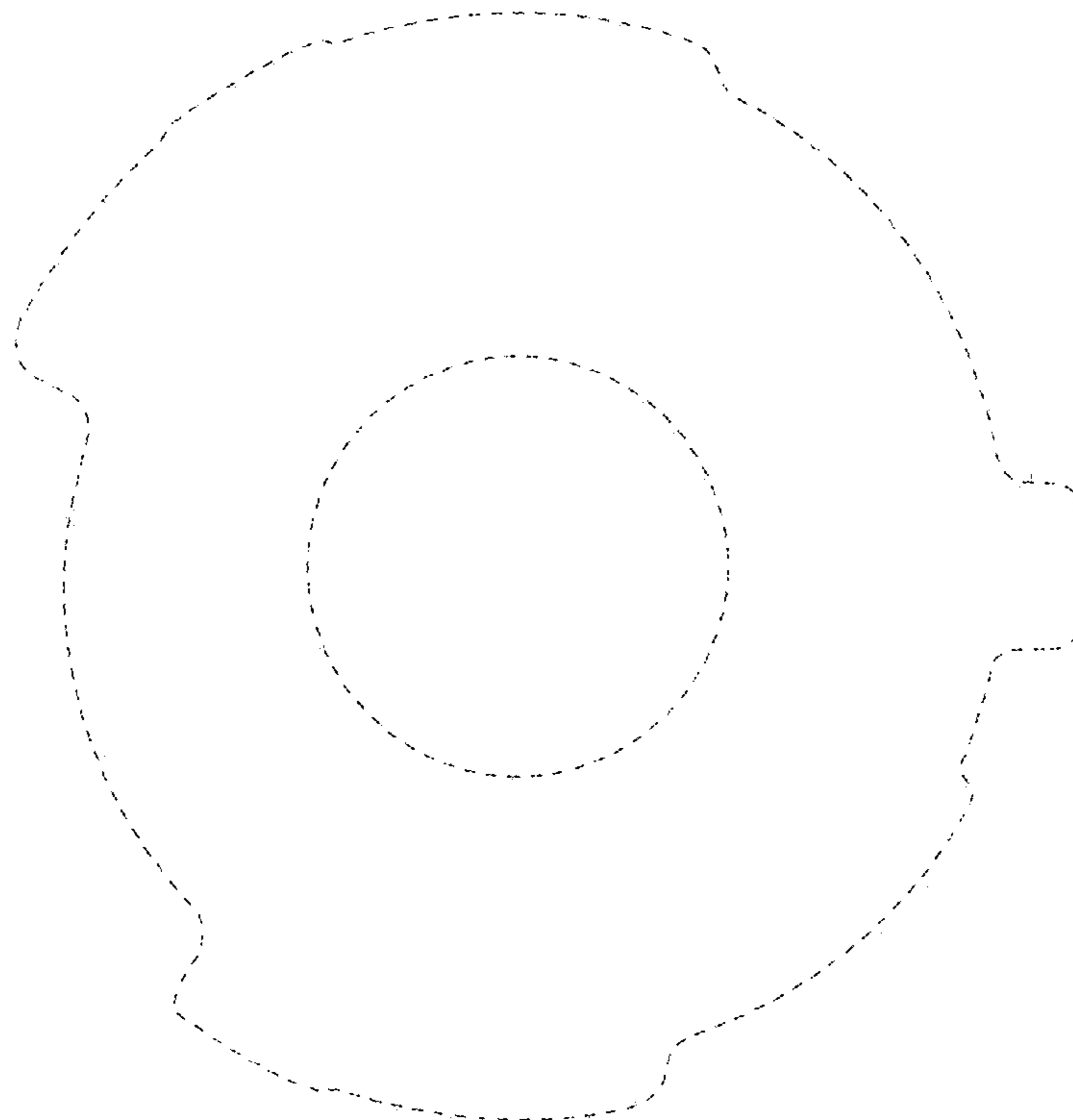


Figure 5

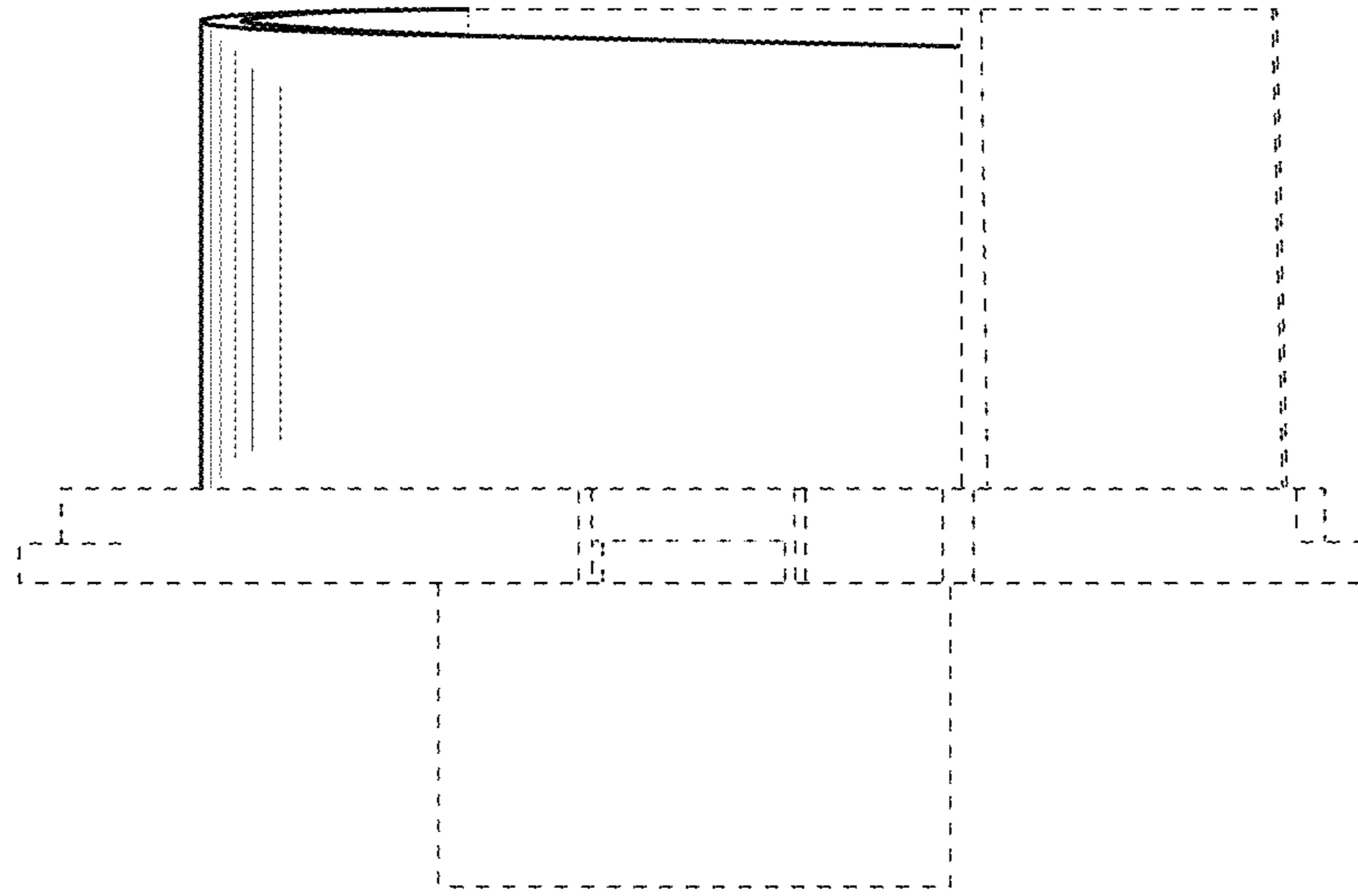


Figure 6

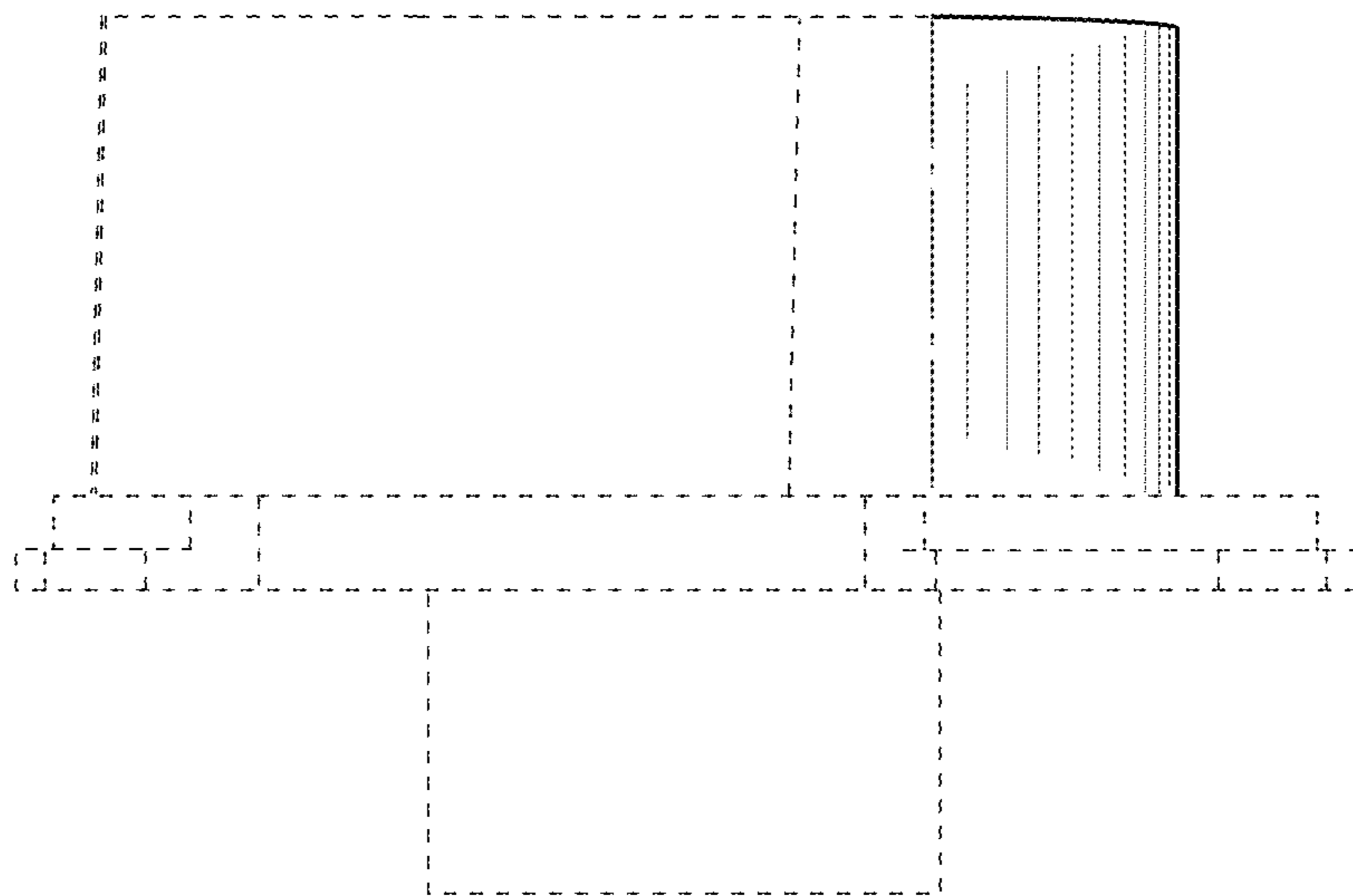


Figure 7

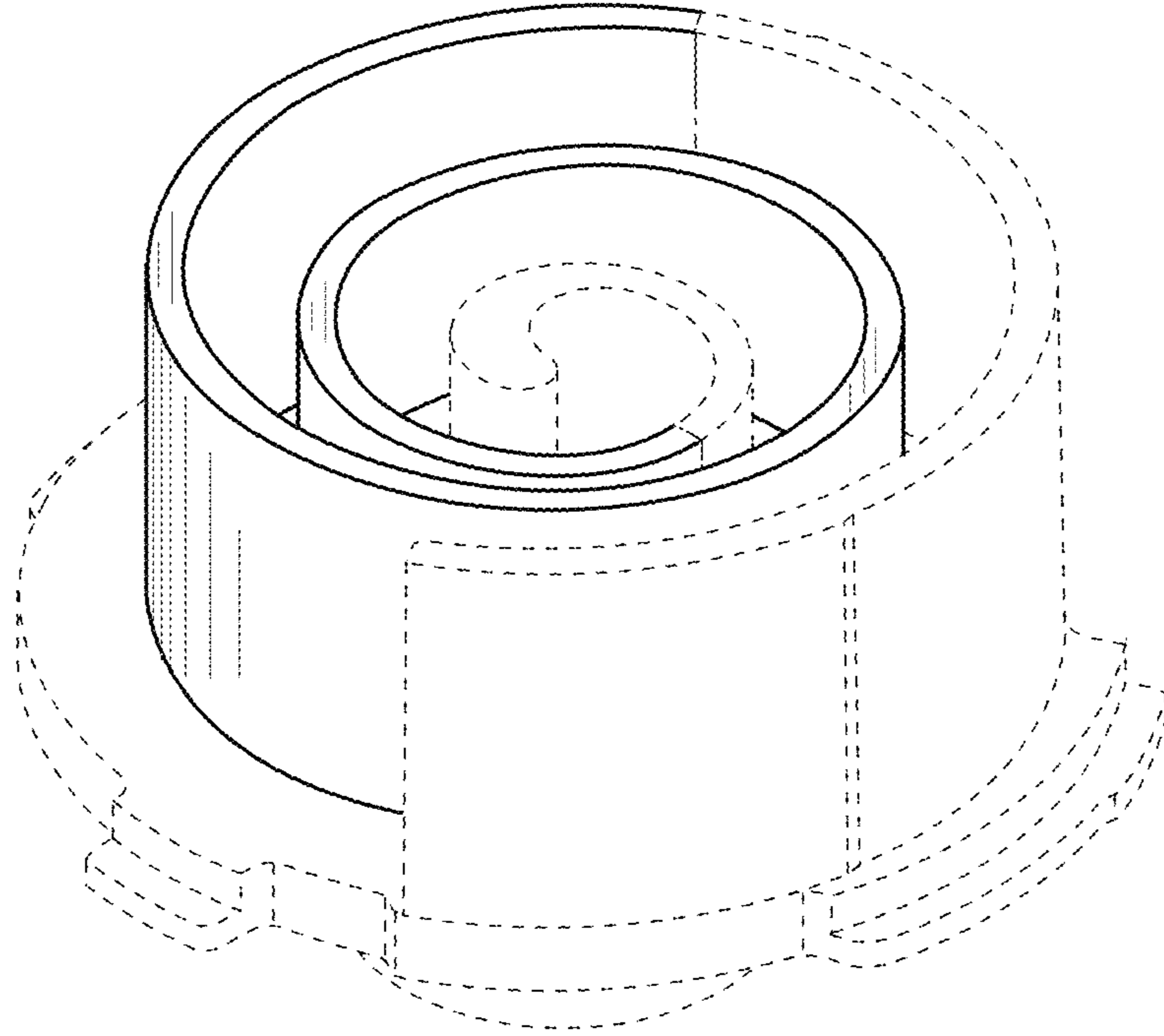


Figure 8

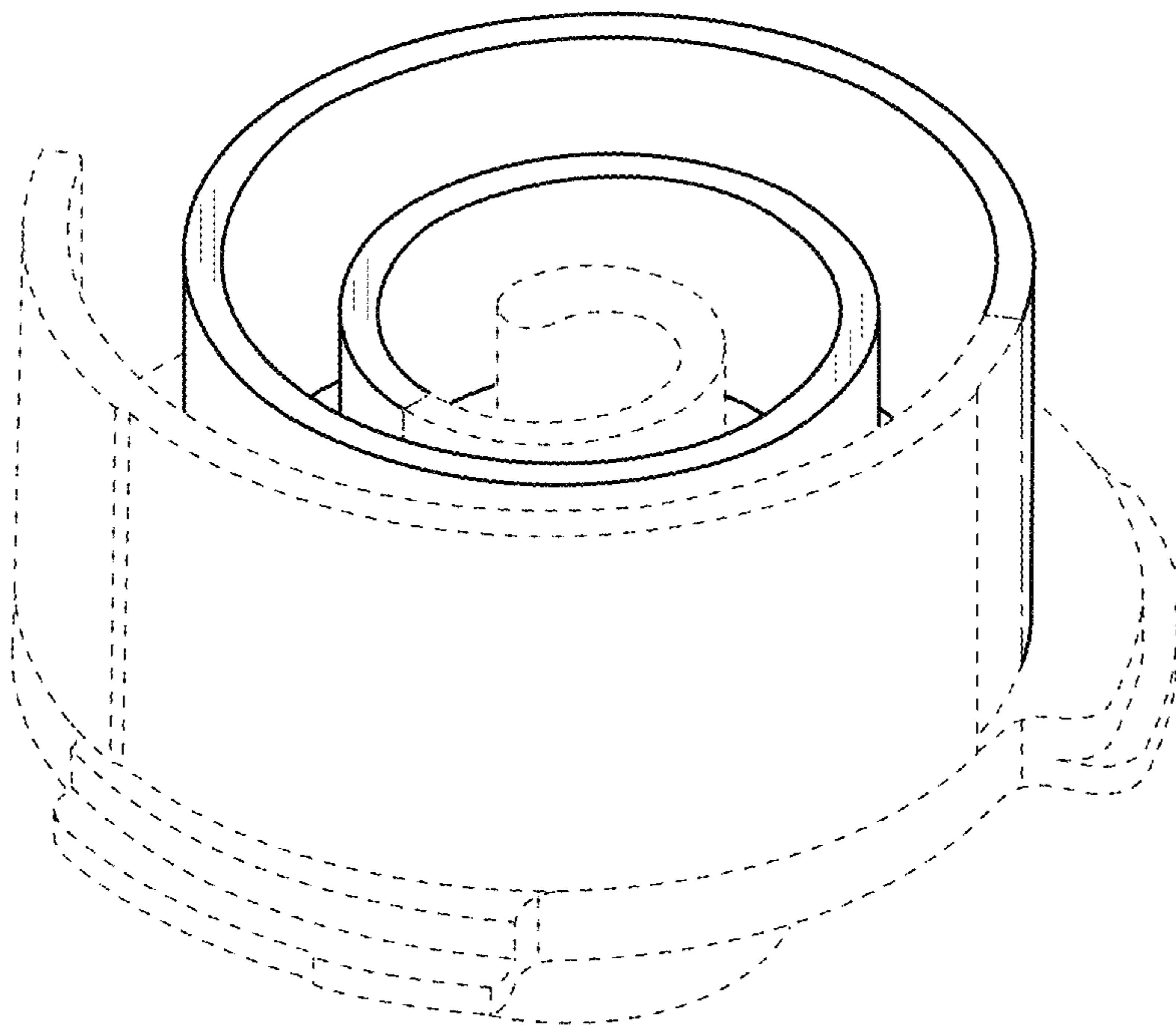


Figure 9

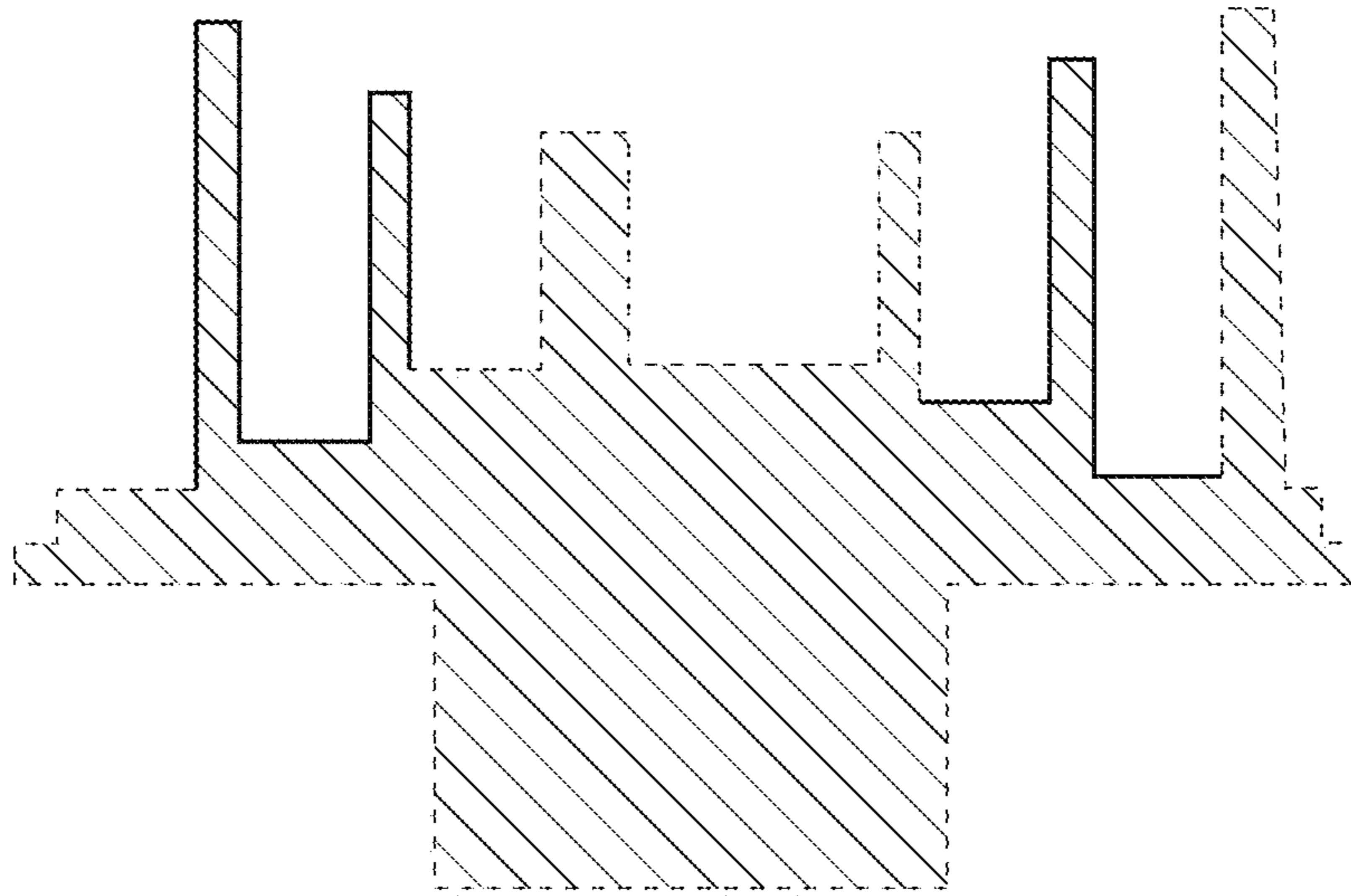


Figure 10

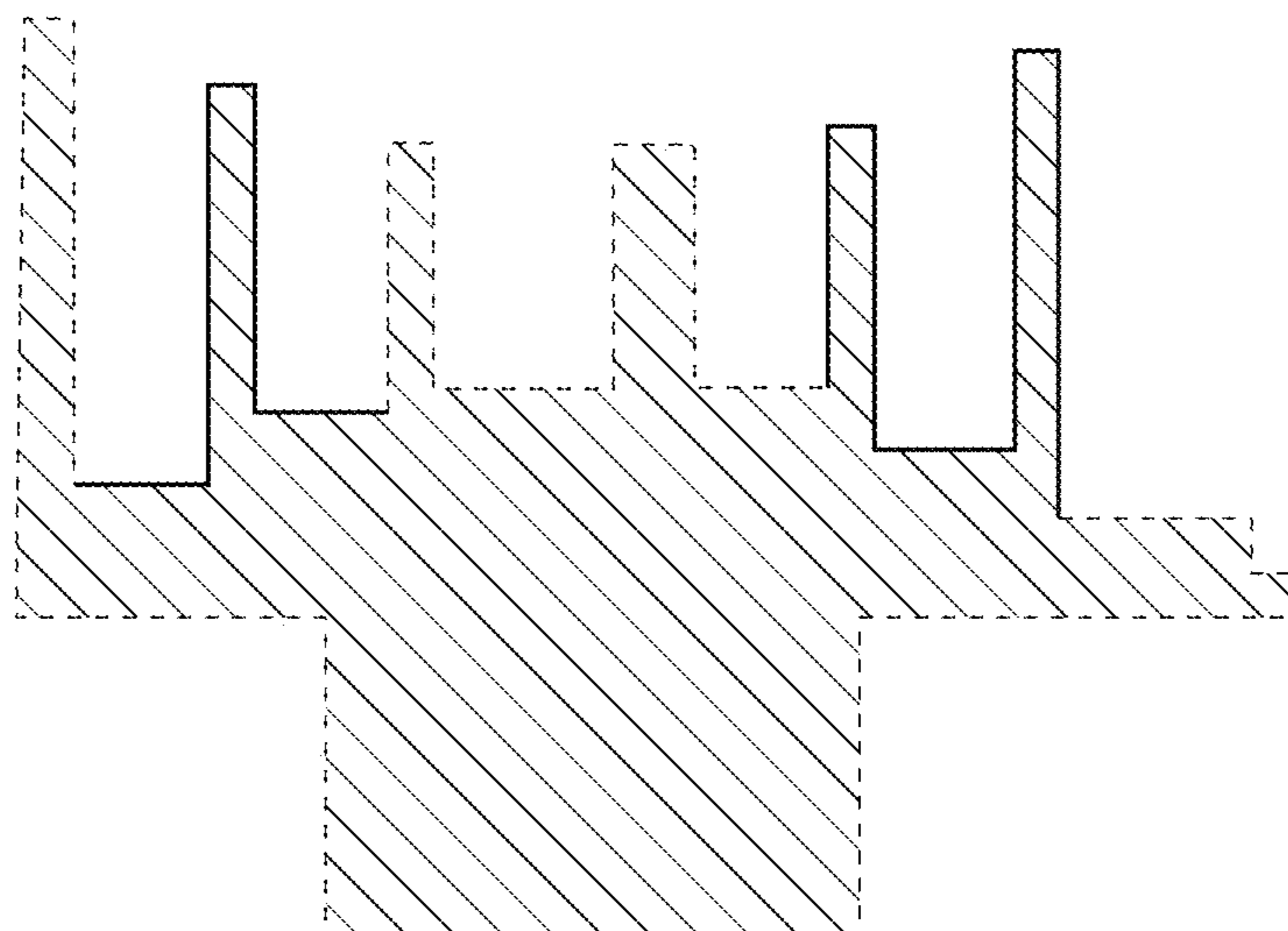


Figure 11

