



US00D931346S

(12) **United States Design Patent** (10) **Patent No.:** **US D931,346 S**
Yeo et al. (45) **Date of Patent:** **** Sep. 21, 2021**

(54) **WALL-MOUNTED REFRIGERATOR**

F25D 17/047; F25D 2317/041; F25D 2317/04131; F25D 2317/043; F25D 2317/0664; F25D 2321/147; F25D 2323/02; F25D 2323/023

(71) Applicant: **LG ELECTRONICS INC.**, Seoul (KR)

See application file for complete search history.

(72) Inventors: **Insun Yeo**, Seoul (KR); **Yezo Yun**, Seoul (KR)

(56) **References Cited**

(73) Assignee: **LG Electronics Inc.**, Seoul (KR)

U.S. PATENT DOCUMENTS

(**) Term: **15 Years**

5,474,213 A * 12/1995 Unger F25C 5/22
222/108
2008/0278335 A1* 11/2008 Welte G07C 9/28
340/573.3
2017/0188542 A1* 7/2017 Dix A01K 1/035
2018/0172337 A1* 6/2018 Choi E06B 1/00
2019/0271500 A1* 9/2019 Lee G02B 6/0088

(21) Appl. No.: **35/509,380**

(22) Filed: **Sep. 4, 2019**

* cited by examiner

(80) **Hague Agreement Data**

Int. Filing Date: **Sep. 4, 2019**
Int. Reg. No.: **DM/207973**
Int. Reg. Date: **Sep. 4, 2019**
Int. Reg. Pub. Date: **May 15, 2020**

Primary Examiner — Richard E Chilcot
(74) *Attorney, Agent, or Firm* — Birch, Stewart, Kolasch & Birch, LLP

(30) **Foreign Application Priority Data**

Mar. 14, 2019 (KR) 30-2019-0011633

(57) **CLAIM**

The ornamental design for a wall-mounted refrigerator, as shown and described.

(51) **LOC (13) Cl.** **15-07**

(52) **U.S. Cl.**

USPC **D15/81**
CPC **F25D 25/025** (2013.01)

DESCRIPTION

(58) **Field of Classification Search**

USPC D15/79-91; 312/112-119, 236, 352, 312/400-408; 62/3.1, 3.6, 3.63, 3.64, 62/293, 31, 371, 400, 467, 529, 531
CPC F25D 25/025; F25D 23/028; F25D 2323/024; F25D 23/00; F25D 23/02; F25D 2323/021; F25D 23/065; F25D 11/00; F25D 2201/14; F25D 23/021; F25D 23/025; F25D 23/04; F25D 27/00; F25D 23/062; F25D 23/067; F25D 2400/18; F25D 23/08; F25D 23/085; F25D 2500/02; F25D 25/00; F25D 25/005; F25D 25/022; F25D 25/024;

1. Wall-mounted refrigerator

1.1 : Perspective

1.2 : Front

1.3 : Back

1.4 : Left

1.5 : Right

1.6 : Top

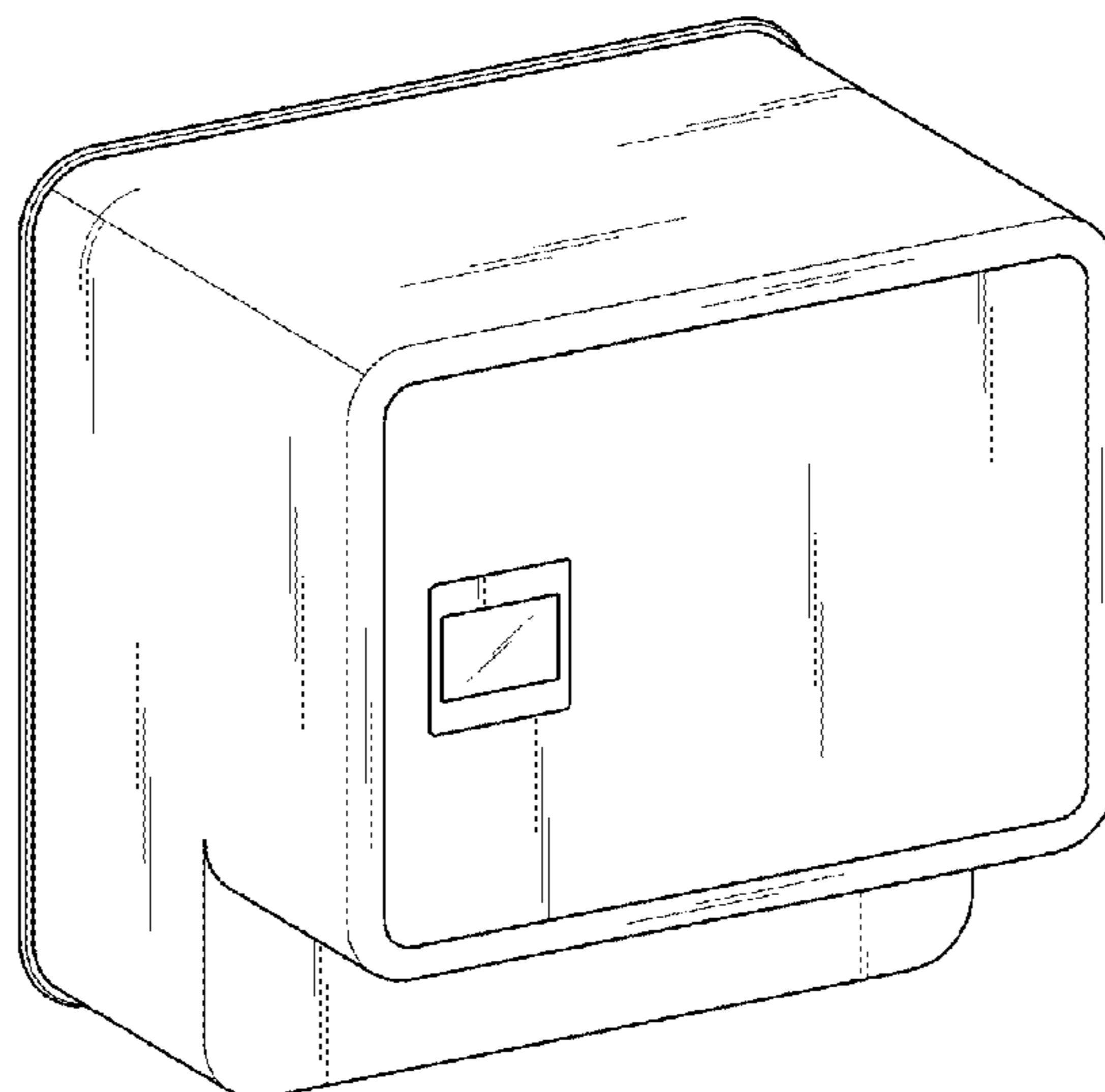
1.7 : Bottom

1.8 : Perspective view shown in an environment of use

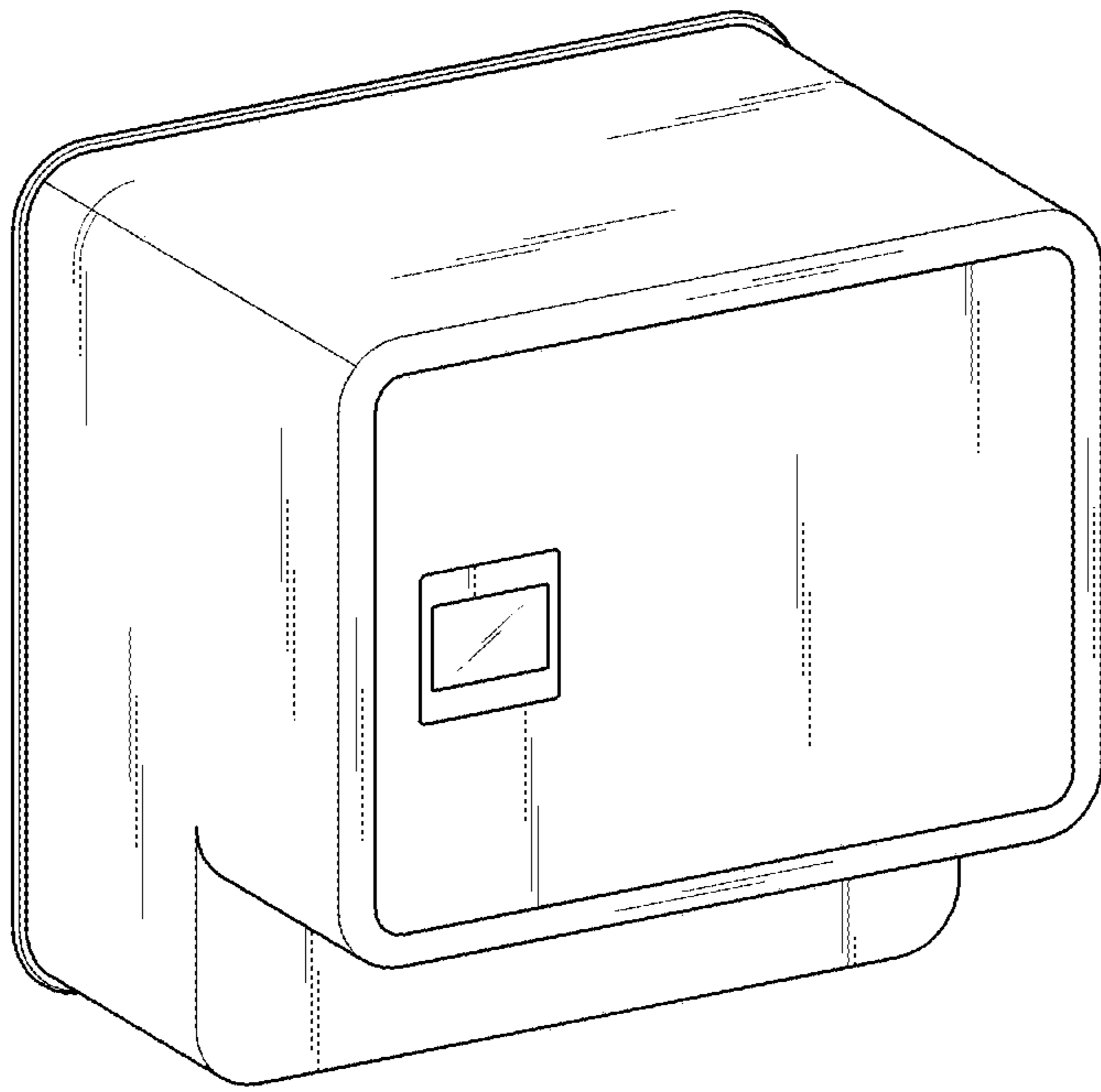
1.9 : Perspective view shown in an environment of use

Broken lines illustrate environmental condition only and form no part of the claimed design.

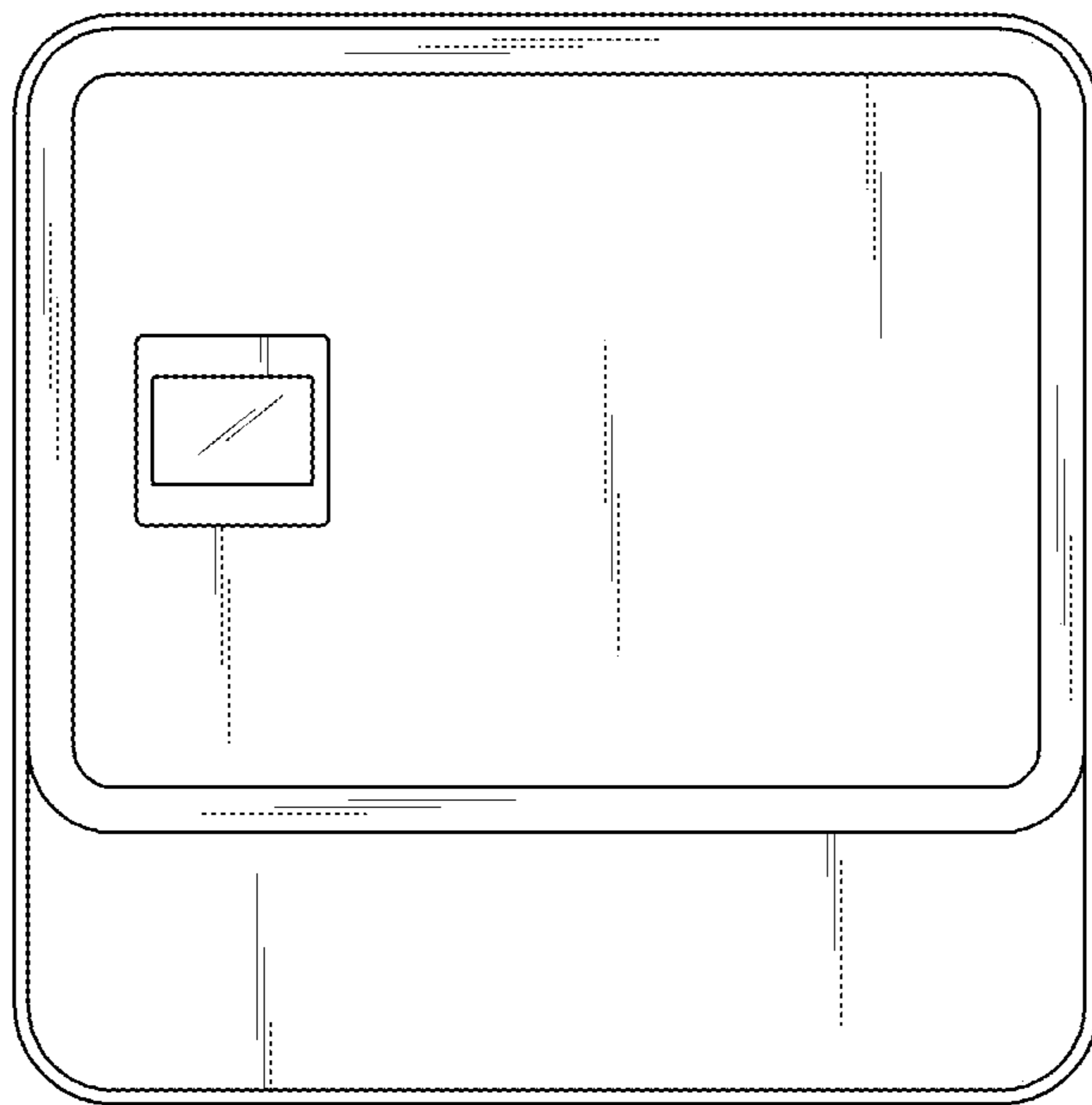
1 Claim, 9 Drawing Sheets



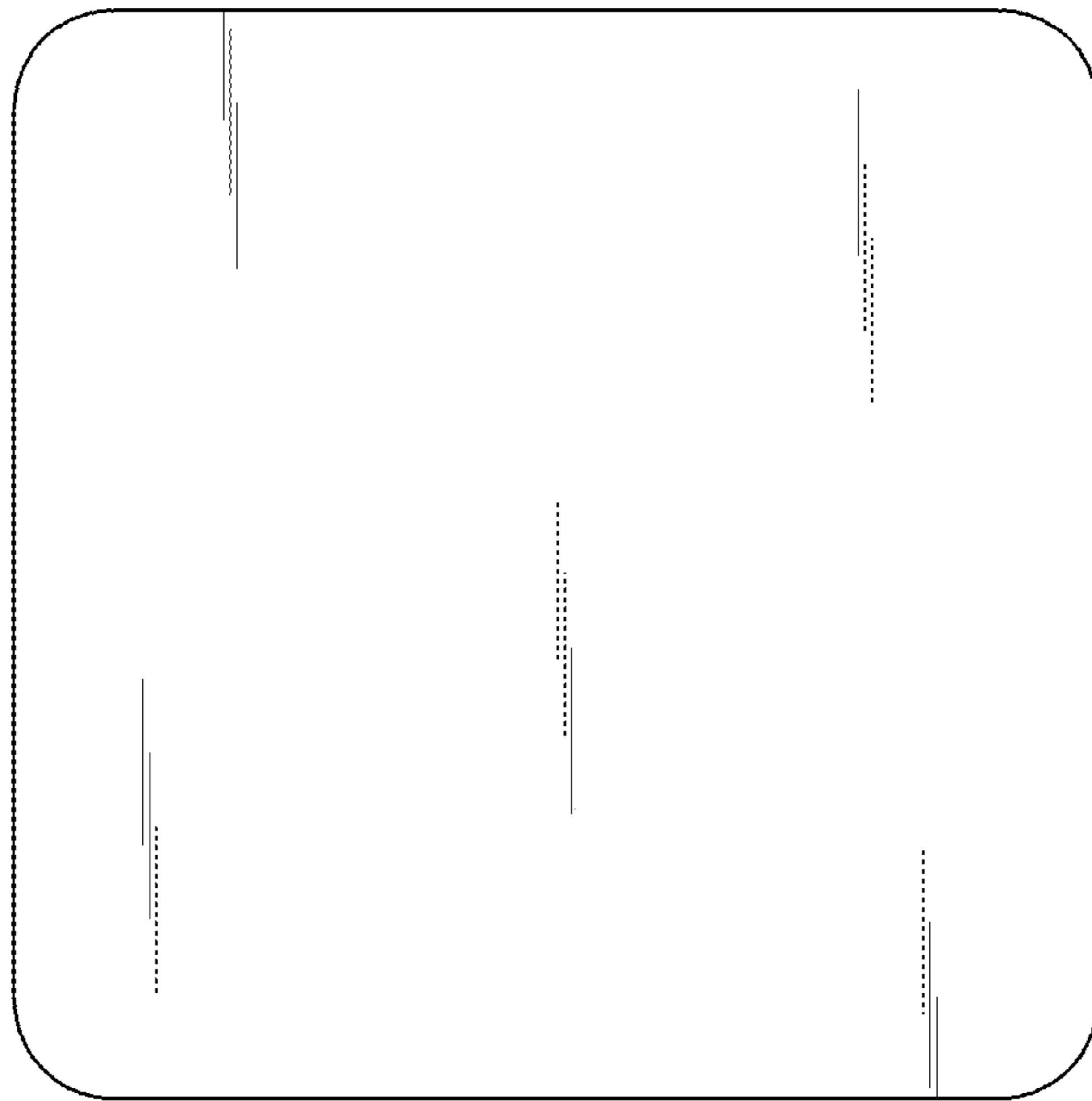
1.1



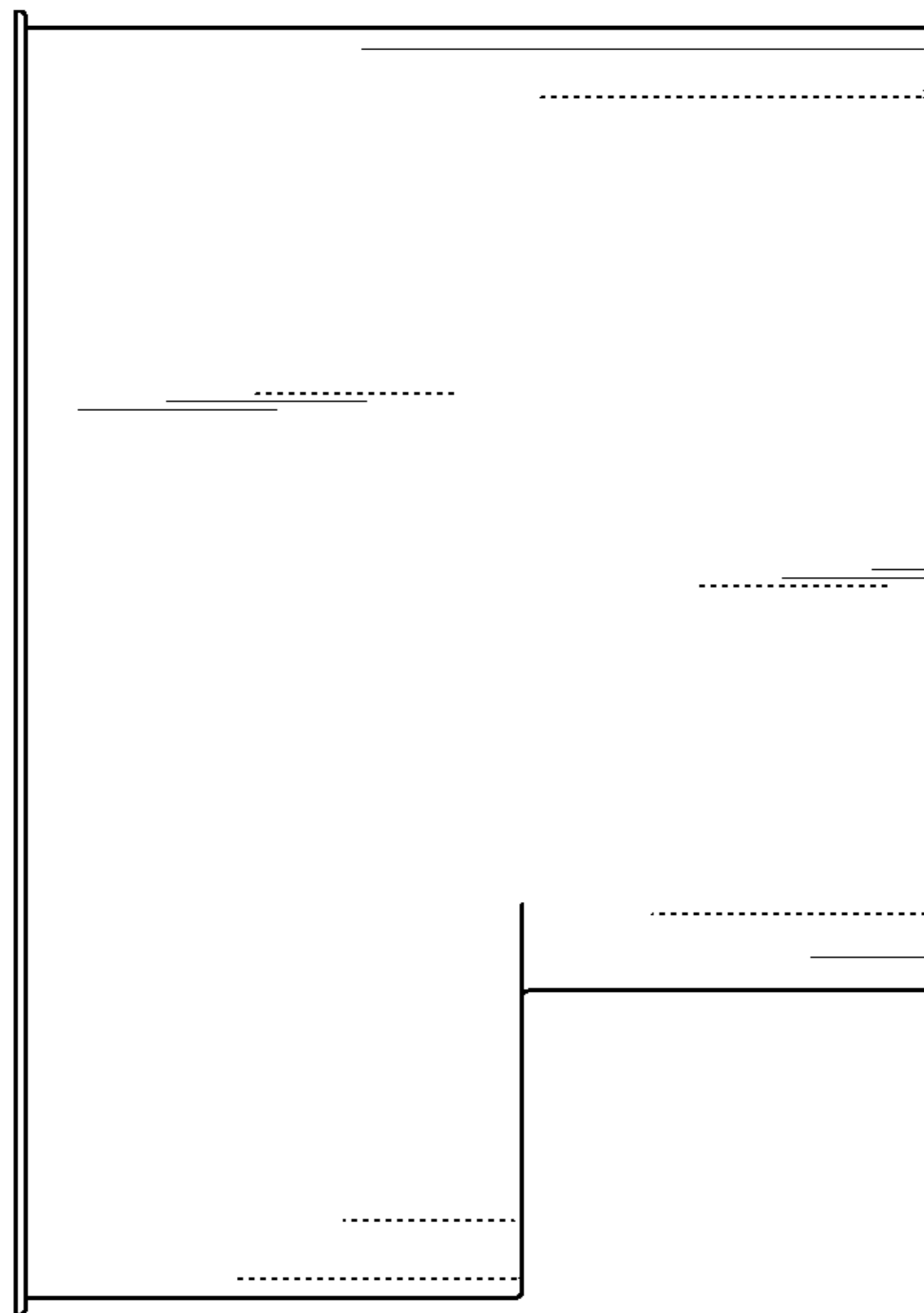
1.2



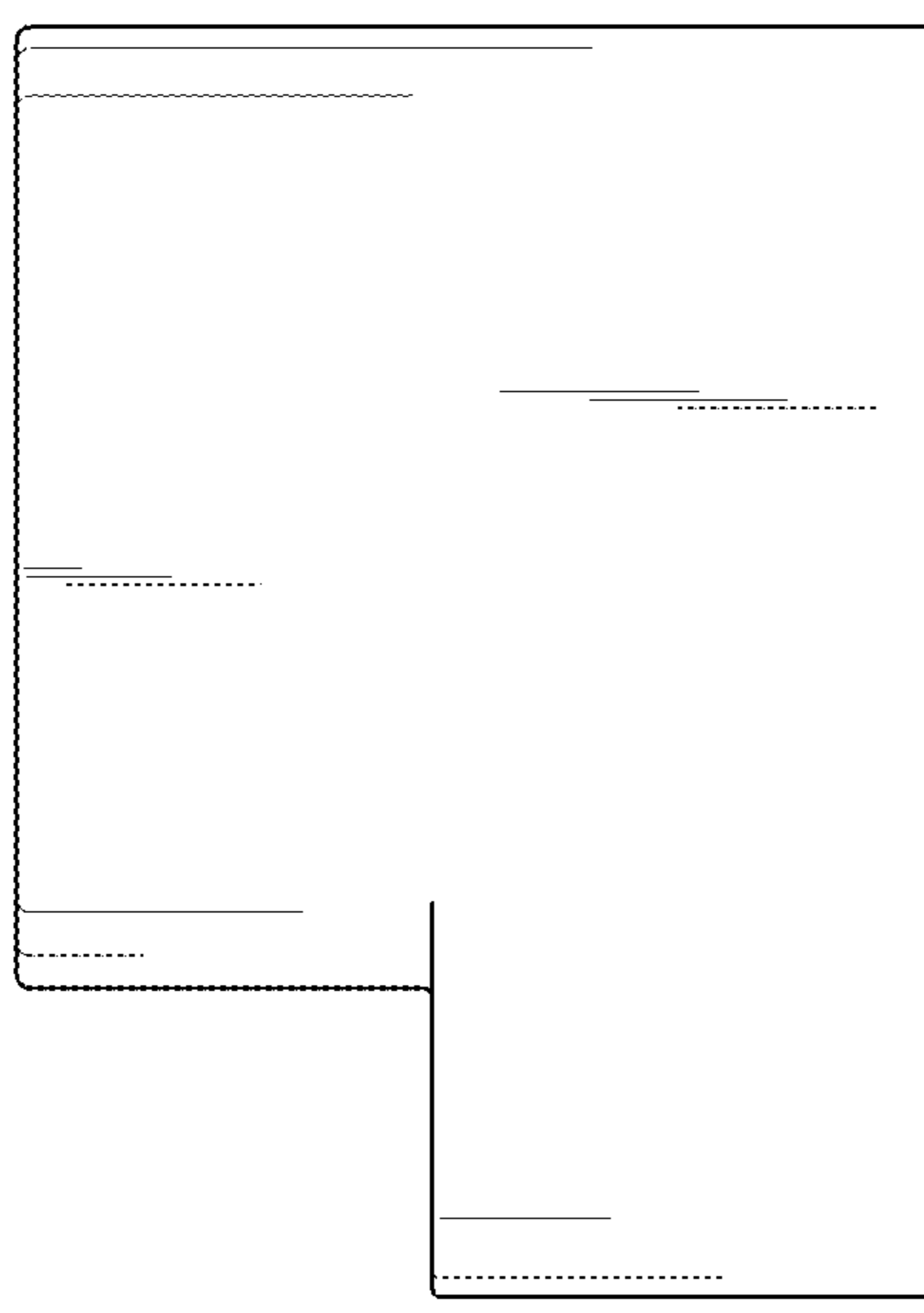
1.3



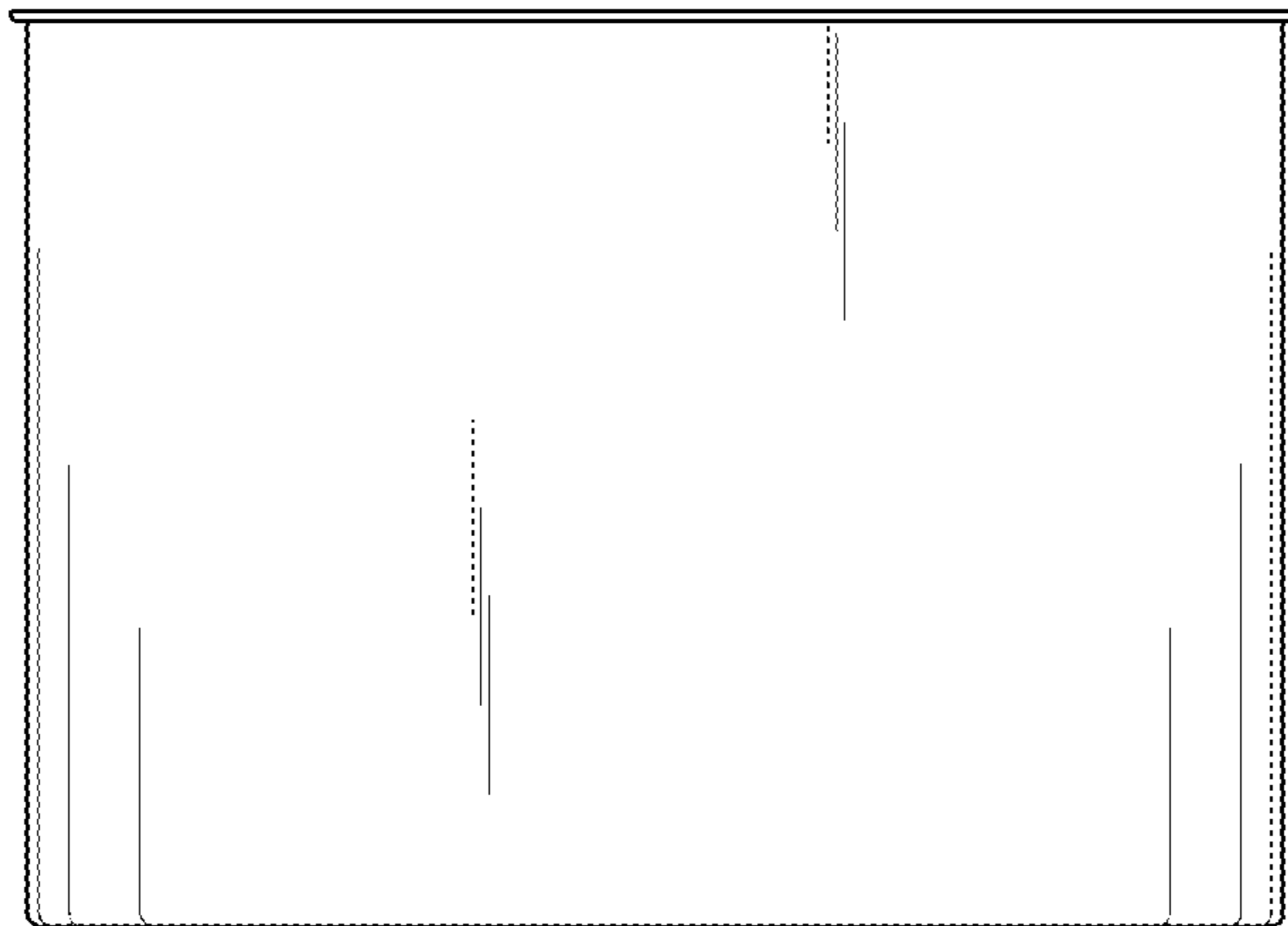
1.4



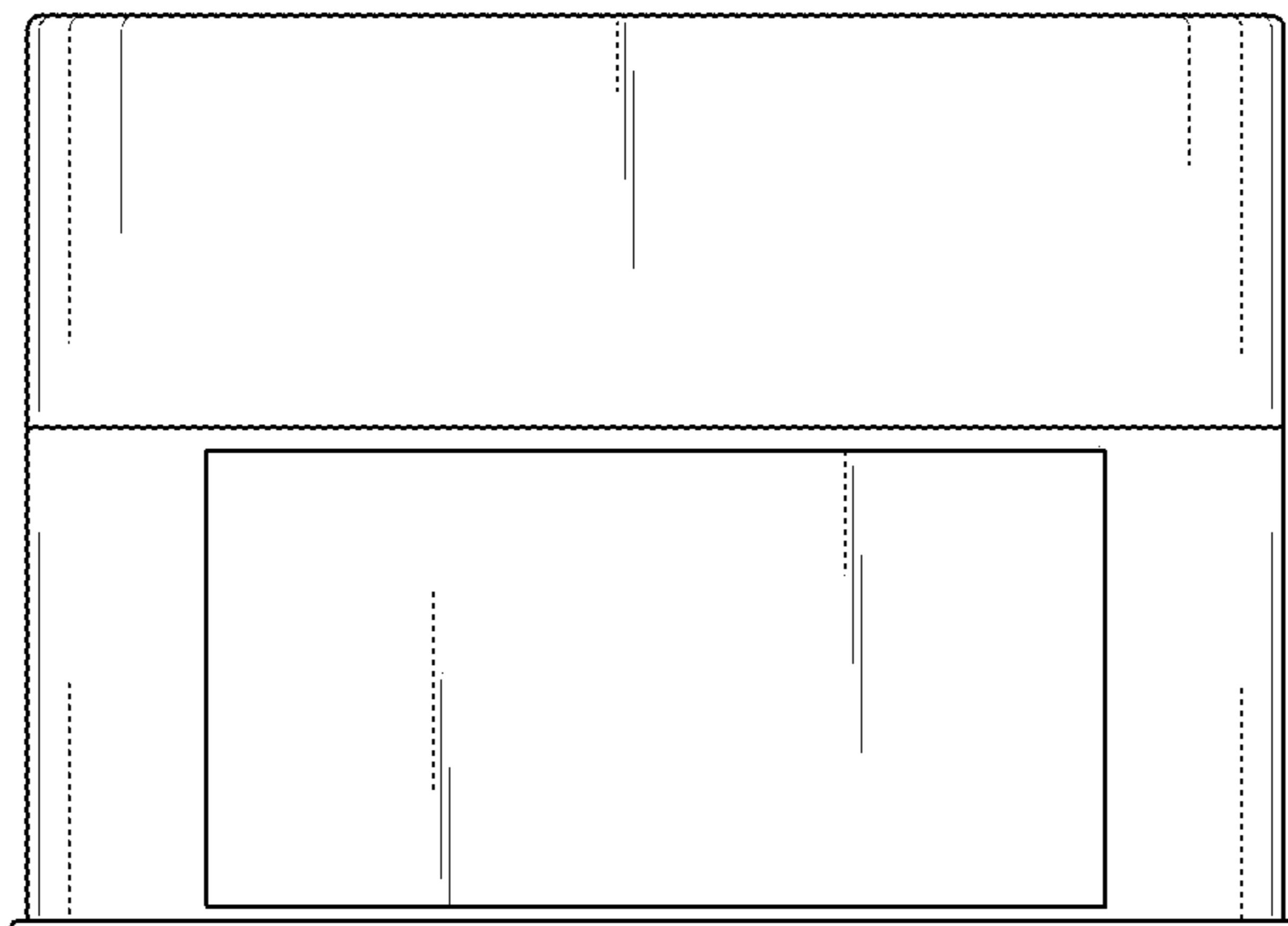
1.5



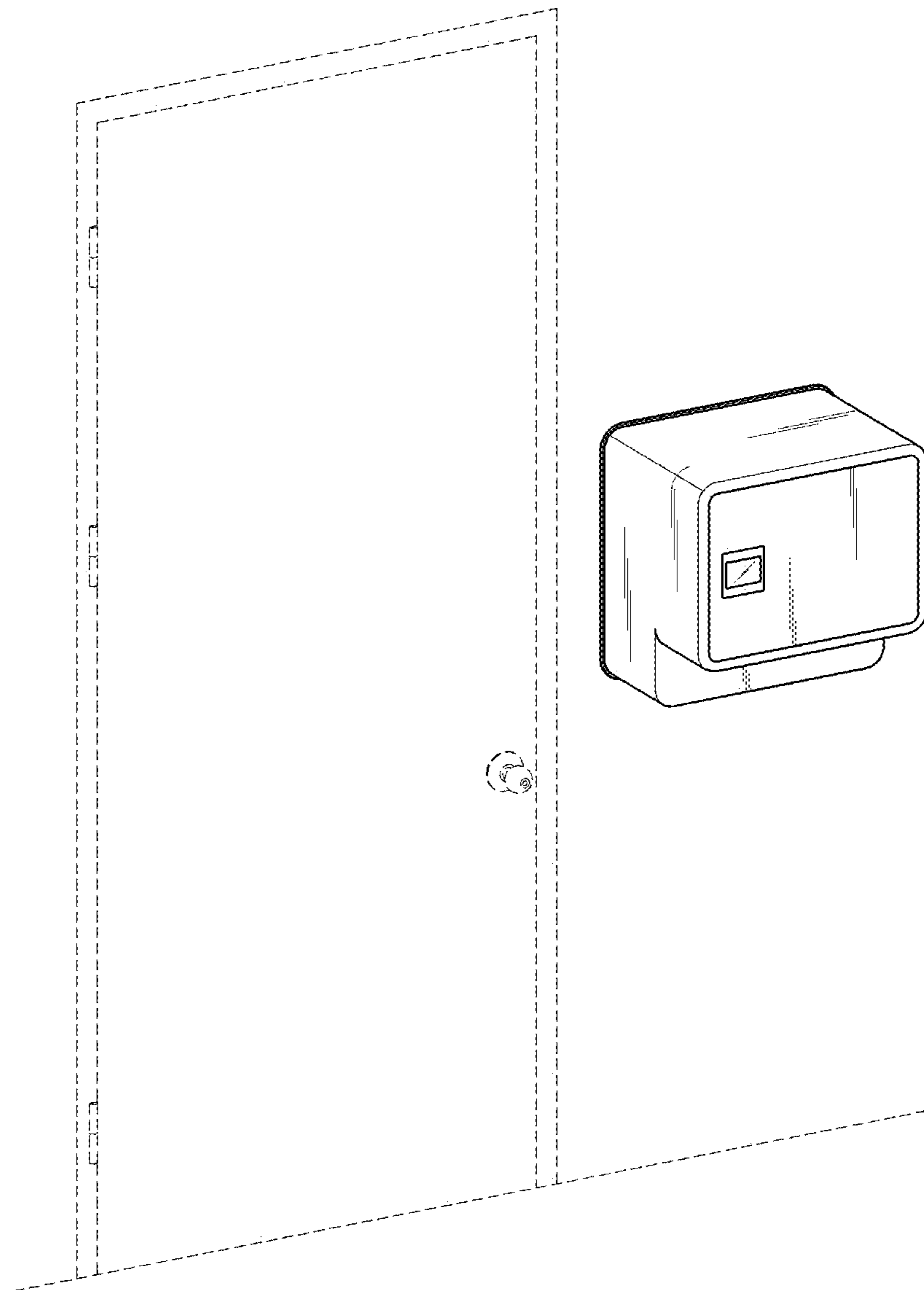
1.6



1.7



1.8



1.9

