



US00D931343S

(12) **United States Design Patent**
Price et al.

(10) **Patent No.:** **US D931,343 S**
(45) **Date of Patent:** **** Sep. 21, 2021**

(54) EXCAVATOR UNDERCARRIAGE	7,293,374 B2 *	11/2007	Fukushima	B62D 21/186 180/311
(71) Applicant: J.C. BAMFORD EXCAVATORS LIMITED , Uttoxeter (GB)	7,717,201 B2 *	5/2010	Park	B62D 55/0966 180/9.5
(72) Inventors: David Price , Uttoxeter (GB); Christopher Streat , Uttoxeter (GB)	8,177,017 B2 *	5/2012	Asam	E02F 9/006 180/311
(73) Assignee: J.C. BAMFORD EXCAVATORS LIMITED , Uttoxeter (GB)	8,657,057 B2 *	2/2014	Bolz	E02F 9/121 180/291
(**) Term: 15 Years	D853,452 S *	7/2019	Jilbert	D15/25
	10,683,635 B2 *	6/2020	Malmberg	B60K 17/10
	2003/0150138 A1 *	8/2003	Akahane	E02F 9/0883 37/347

(Continued)

(21) Appl. No.: **29/716,886**

Primary Examiner — Mark A Goodwin

(22) Filed: **Dec. 12, 2019**

(74) *Attorney, Agent, or Firm* — Marshall, Gerstein & Borun LLP

(30) **Foreign Application Priority Data**

Jun. 26, 2019 (WO) DM/202358

(51) **LOC (13) Cl.** **15-03**

(52) **U.S. Cl.**
USPC **D15/33**

(58) **Field of Classification Search**

USPC D15/10, 22–26, 28, 30, 33; 180/89.1,
180/89.12, 89.13, 900, 9.1, 9.2, 9.62;
37/379; 414/694, 699, 722–724, 660,
414/685, 698, 719, 743

CPC E02F 3/32; E02F 3/76; E02F 3/40; E02F
3/325; E02F 3/352; E02F 3/384; E02F
3/425; E02F 3/437; E02F 3/627; E02F
3/964; E02F 9/163; E02F 9/0858; E02F
9/0875; E02F 9/2045; E02F 9/006; E02F
9/0808; E02F 9/0833; E02F 9/2004; E02F
9/207; E02F 9/2091; E02F 9/2246; E02F
9/2292; E02F 9/0086; E02F 9/18; F01N
13/001; F01N 2590/08

See application file for complete search history.

(56) **References Cited**

U.S. PATENT DOCUMENTS

4,135,597 A *	1/1979	Barth	B62D 12/00 180/41
6,905,139 B2 *	6/2005	Akahane	B62D 21/16 220/564

(57) **CLAIM**

The ornamental design for an excavator undercarriage, as shown and described.

DESCRIPTION

FIG. 1 is a top, front, and right-side isometric view of an excavator undercarriage showing the new design.

FIG. 2 is a top plan view of the excavator undercarriage.

FIG. 3 is a right-side elevation view of the excavator undercarriage.

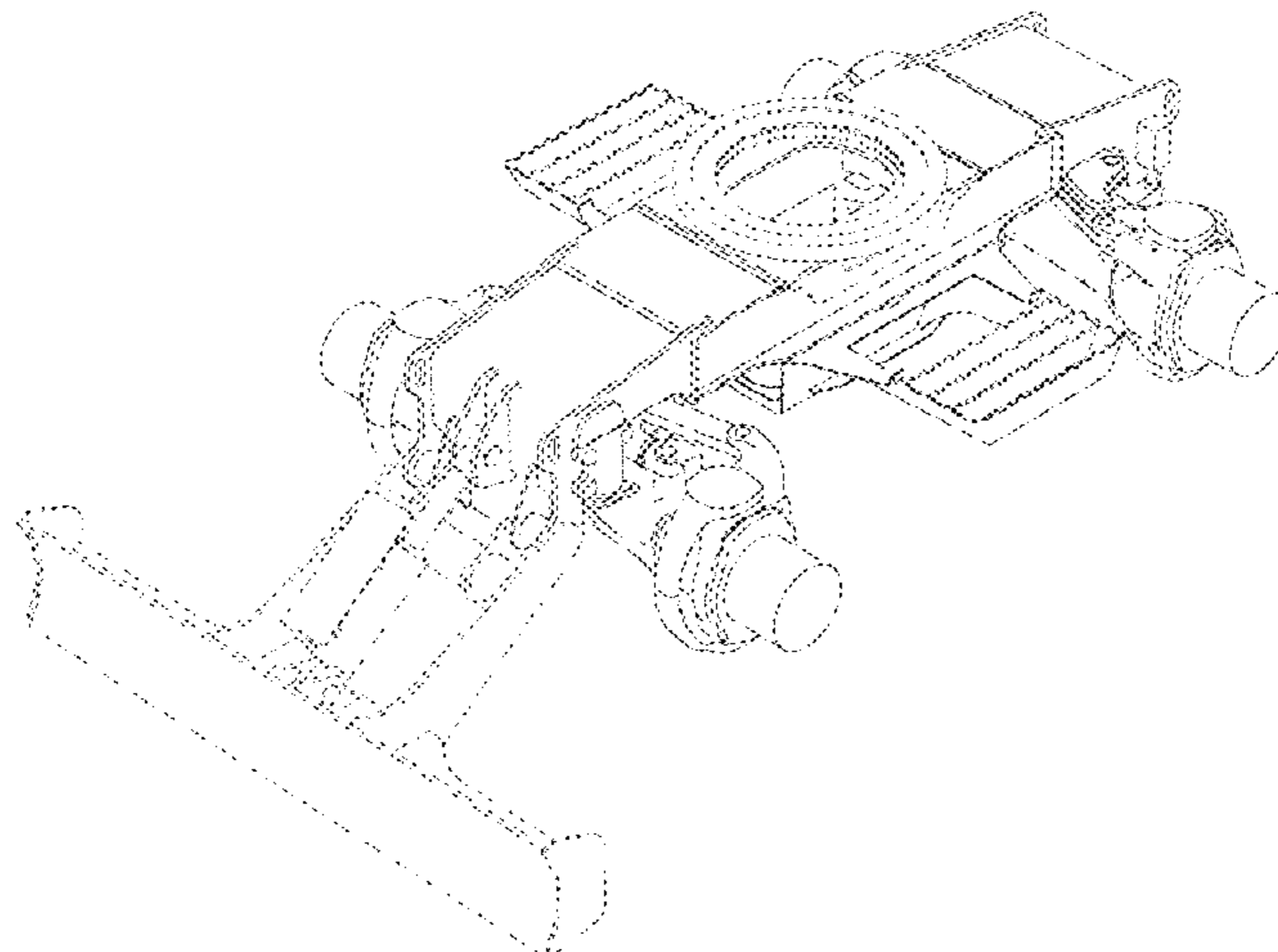
FIG. 4 is a left-side elevation view of the excavator undercarriage.

FIG. 5 is a front elevation view of the excavator undercarriage; and,

FIG. 6 is a rear elevation view of the excavator undercarriage.

The broken lines depict portions of the excavator undercarriage that form no part of the claimed design.

1 Claim, 6 Drawing Sheets



(56)

References Cited

U.S. PATENT DOCUMENTS

2004/0107607 A1* 6/2004 Fukushima E02F 9/0825
37/348
2006/0267304 A1* 11/2006 Park B62D 55/104
280/124.109
2007/0152438 A1* 7/2007 Lacher E02F 9/10
280/781
2010/0096211 A1* 4/2010 Asam E02F 9/006
180/311
2010/0258364 A1* 10/2010 Bolz E02F 9/00
180/9.1
2011/0253467 A1* 10/2011 Bolz B62D 33/06
180/68.4
2013/0026789 A1* 1/2013 Schott E02F 9/0808
296/193.01
2016/0122972 A1* 5/2016 Price E02F 3/325
180/312
2018/0169685 A1* 6/2018 Taylor B25J 19/022
2019/0017244 A1* 1/2019 Malmberg B62D 55/04
2020/0070892 A1* 3/2020 Durkin B62D 21/186

* cited by examiner

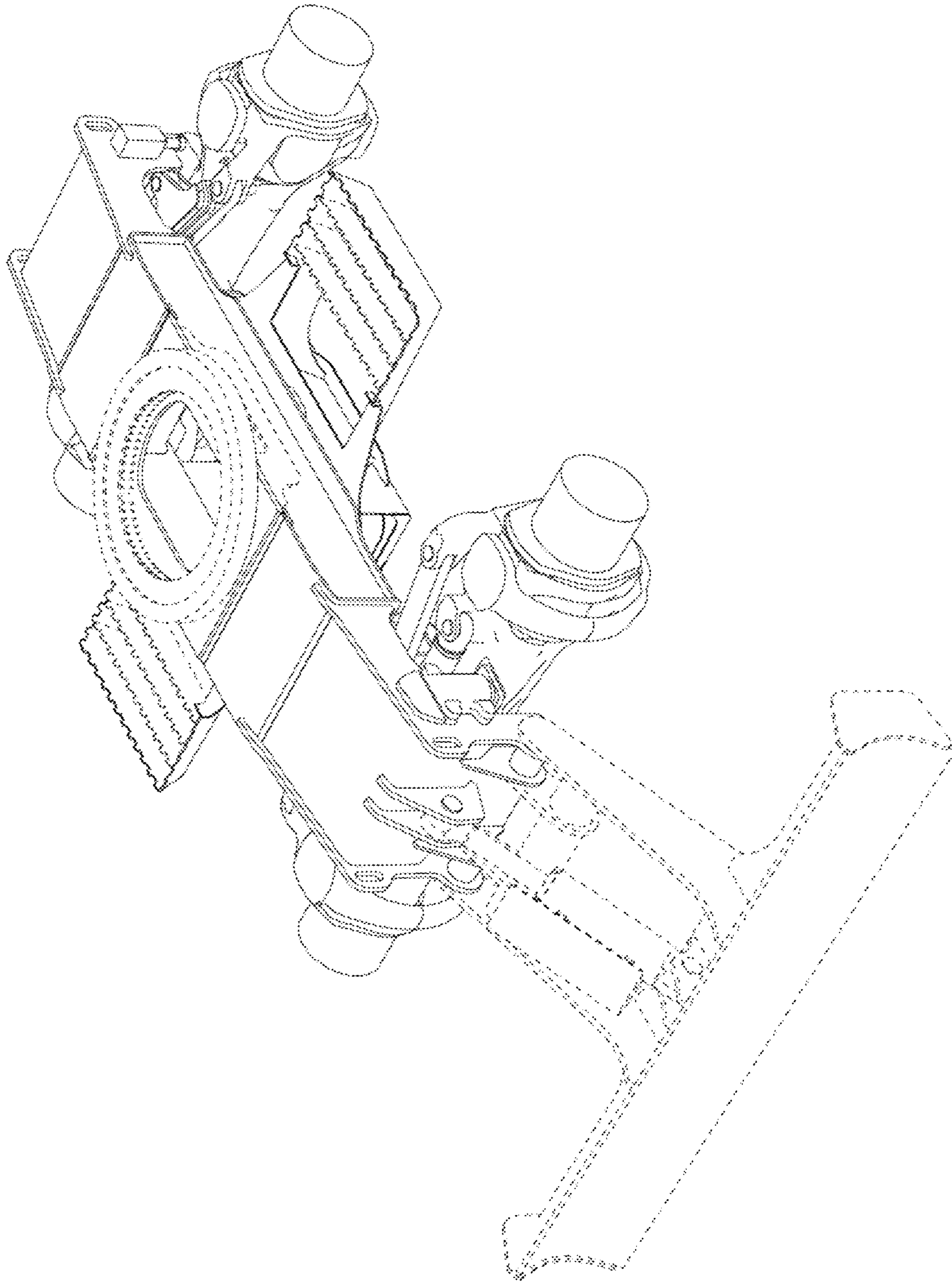


Fig. 1

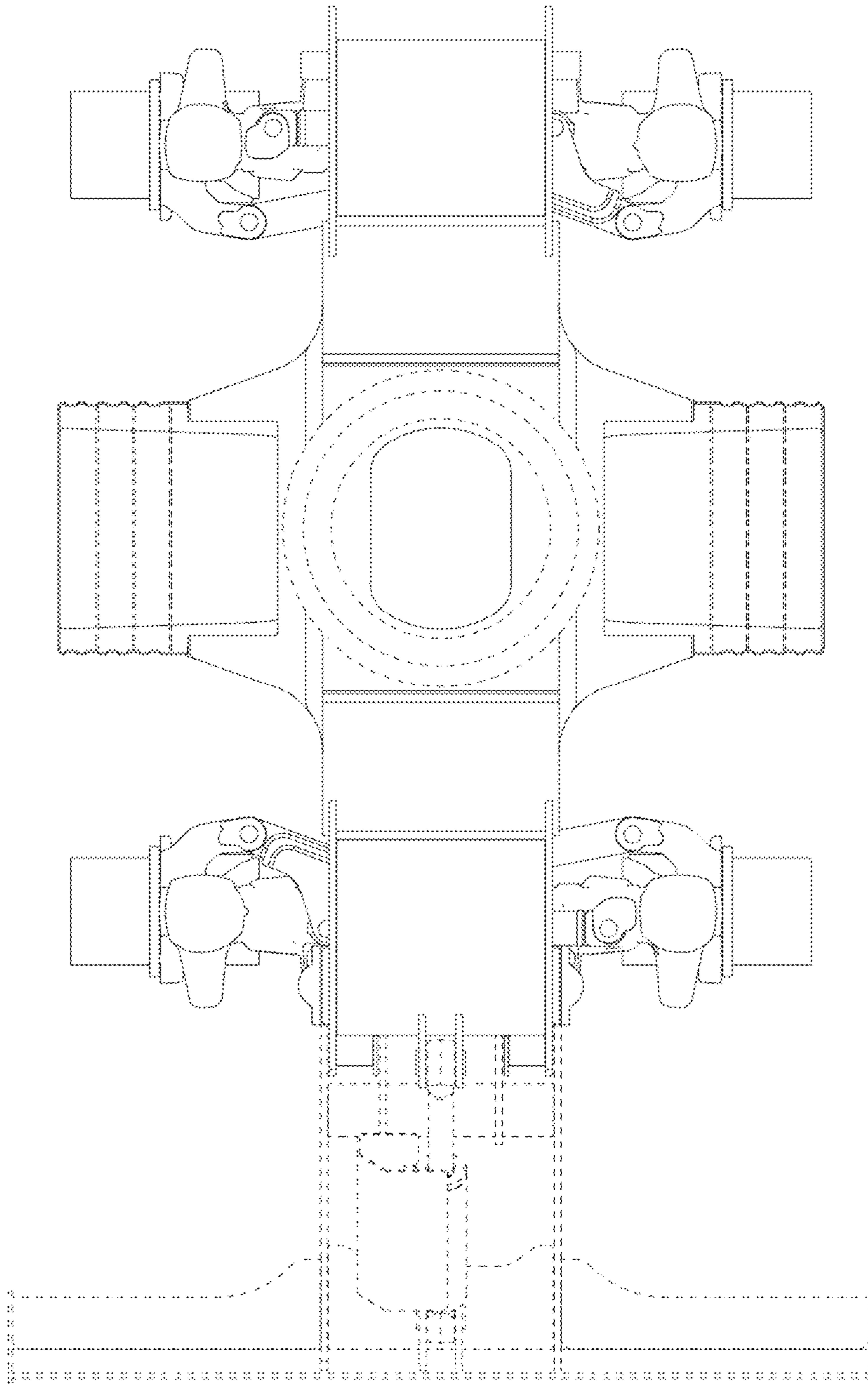


Fig. 2

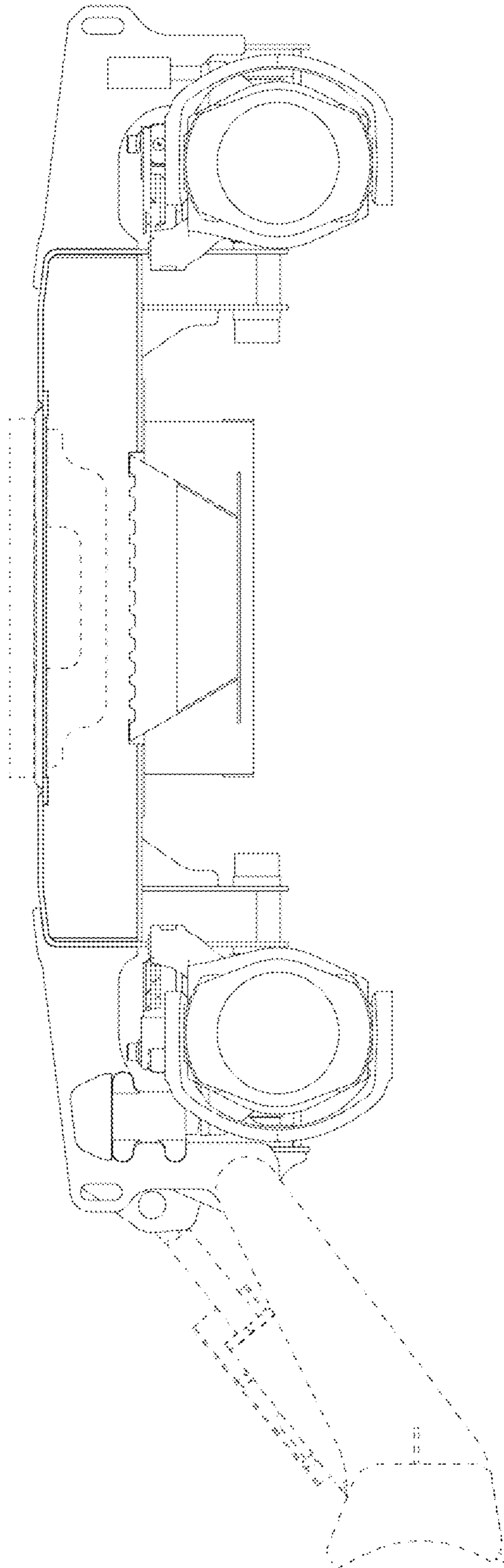


Fig. 3

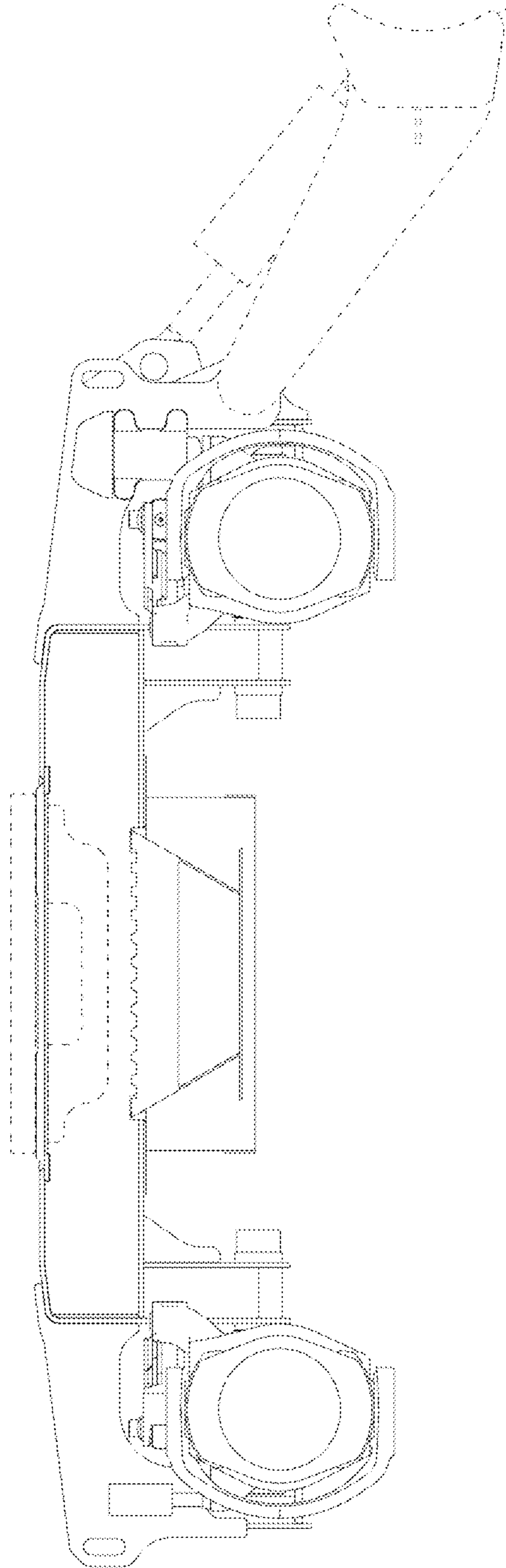


Fig. 4

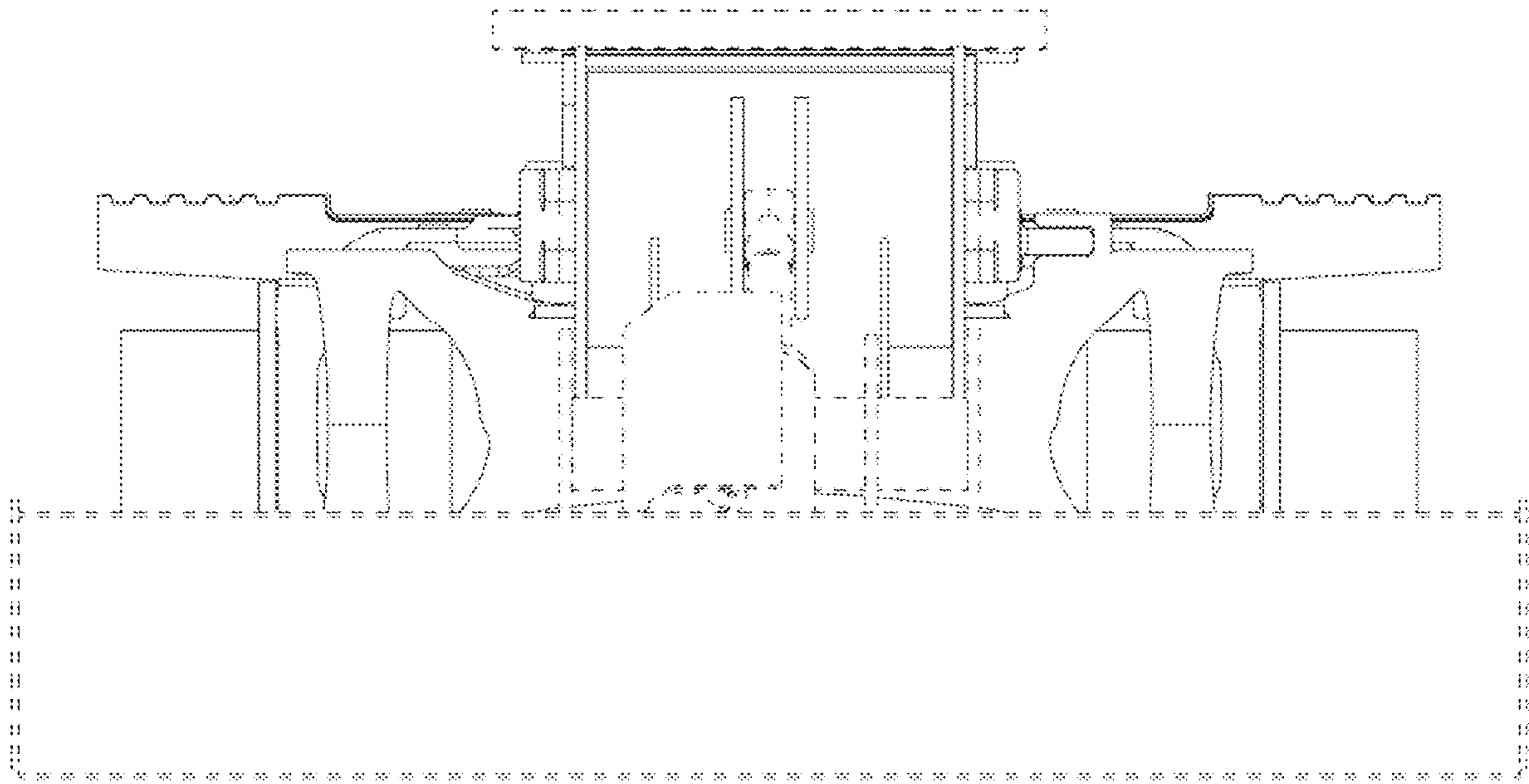


Fig. 5

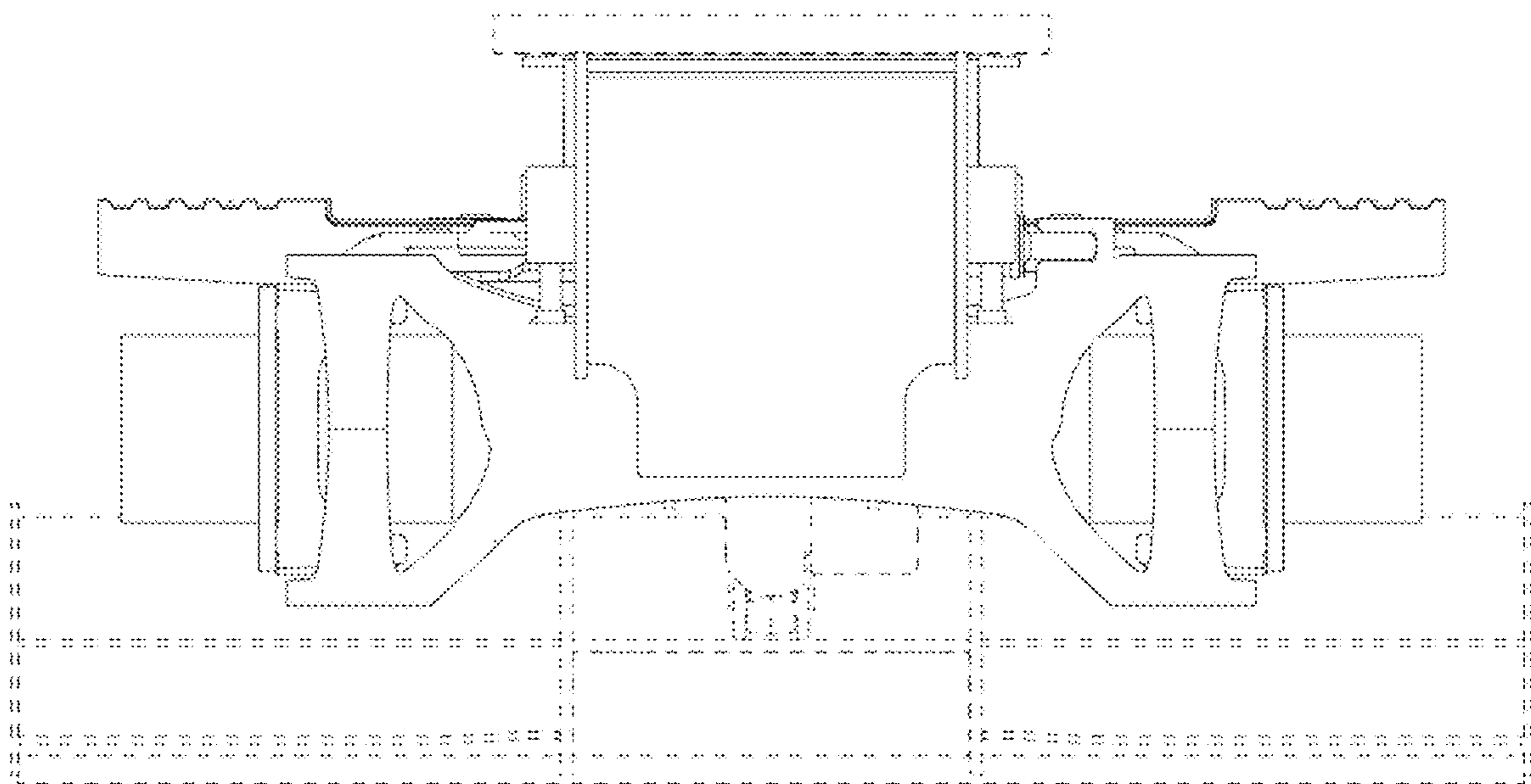


Fig. 6

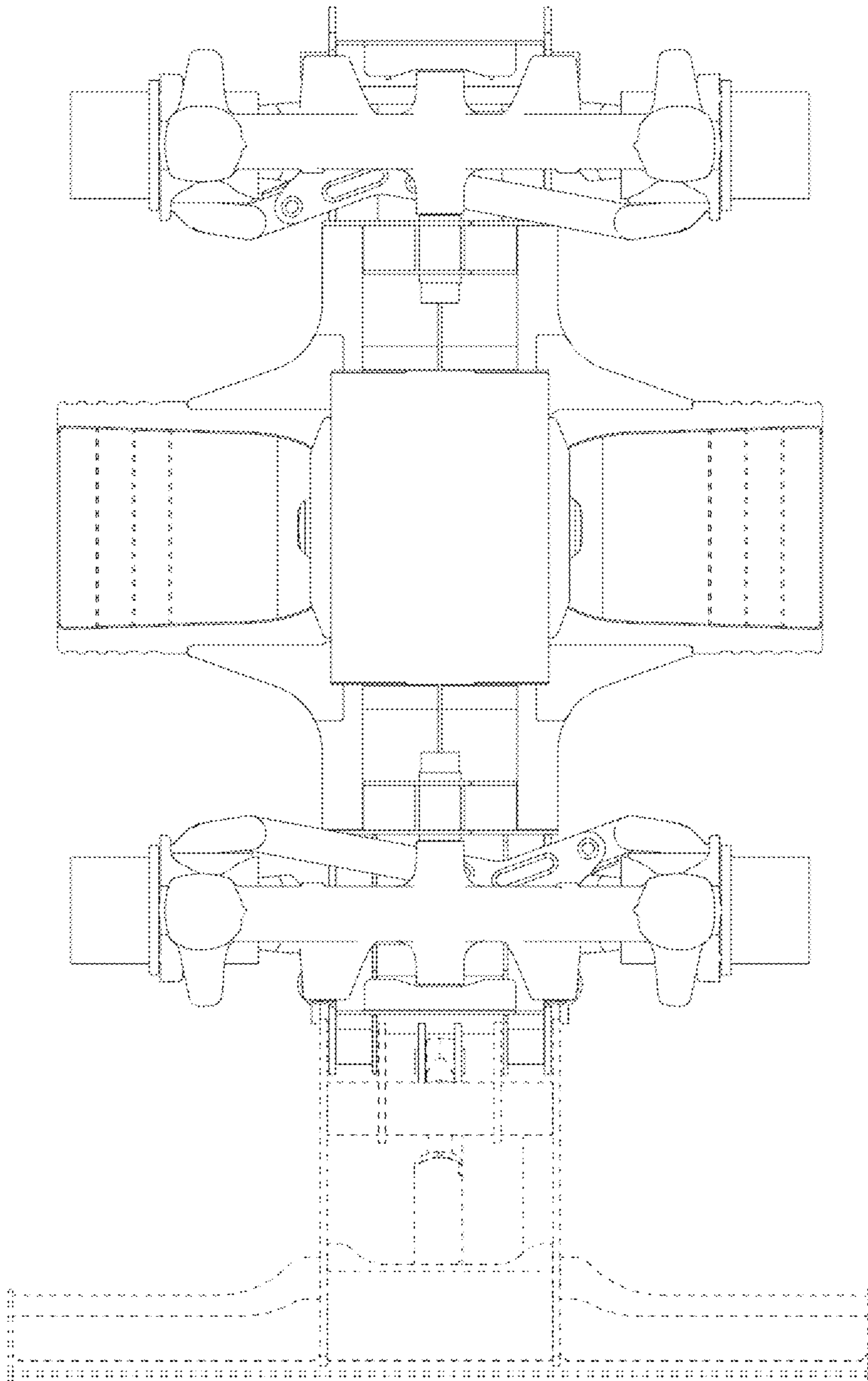


Fig. 7