



US00D931341S

(12) **United States Design Patent** (10) **Patent No.:** **US D931,341 S**
Watanabe et al. (45) **Date of Patent:** **** Sep. 21, 2021**

(54) **CONSOLE FOR CONSTRUCTION MACHINE**

(71) Applicant: **KOBELCO CONSTRUCTION MACHINERY CO., LTD.**, Hiroshima (JP)

(72) Inventors: **Eri Watanabe**, Akashi (JP); **Satoshi Muta**, Akashi (JP); **Koichi Ito**, Hiroshima (JP); **Shintaro Sakitani**, Hiroshima (JP); **Kaoru Adachi**, Hiroshima (JP); **Masanori Sakatani**, Hiroshima (JP)

(73) Assignee: **KOBELCO CONSTRUCTION MACHINERY CO., LTD.**, Hiroshima (JP)

(**) Term: **15 Years**

(21) Appl. No.: **29/739,603**

(22) Filed: **Jun. 26, 2020**

(30) **Foreign Application Priority Data**

Dec. 26, 2019 (JP) 2019-028905

(51) **LOC (13) Cl.** **15-03**

(52) **U.S. Cl.**
USPC **D15/28**; D15/17

(58) **Field of Classification Search**
USPC D15/10-33; D12/192; 180/69.24, 69.2, 180/69.21, 90, 89.12, 900; 296/70, 30, 296/72, 191, 192, 193.03
CPC B62D 49/00; B60K 37/00; B60K 37/02; B60K 37/04; B60K 2350/928; B60Y 2200/22

See application file for complete search history.

(56) **References Cited**

U.S. PATENT DOCUMENTS

D192,869 S * 5/1962 Przybylowicz et al. D15/17
D432,549 S * 10/2000 SurrIDGE D15/17

D433,425 S * 11/2000 SurrIDGE D15/17
D441,769 S * 5/2001 SurrIDGE D12/415
D532,427 S * 11/2006 Kim D15/28
D549,739 S * 8/2007 Stephens D15/28
D593,134 S * 5/2009 Kuwae D15/17
D685,006 S * 6/2013 Hagura D15/28
D689,529 S * 9/2013 Hagura D15/28
D718,343 S * 11/2014 Carter D15/28
D727,978 S * 4/2015 Higuchi D15/28
D730,948 S * 6/2015 Higuchi D15/28
D783,686 S * 4/2017 Jilbert D15/28
D816,729 S * 5/2018 Diebold D15/28
D816,730 S * 5/2018 Diebold D15/28
D834,622 S * 11/2018 Fincato D15/28
D856,379 S * 8/2019 Ninomiya D15/28
D856,380 S * 8/2019 Ninomiya D15/28
D856,381 S * 8/2019 Ninomiya D15/28

(Continued)

Primary Examiner — Mark A Goodwin

(74) *Attorney, Agent, or Firm* — Birch, Stewart, Kolasch & Birch, LLP

(57) **CLAIM**

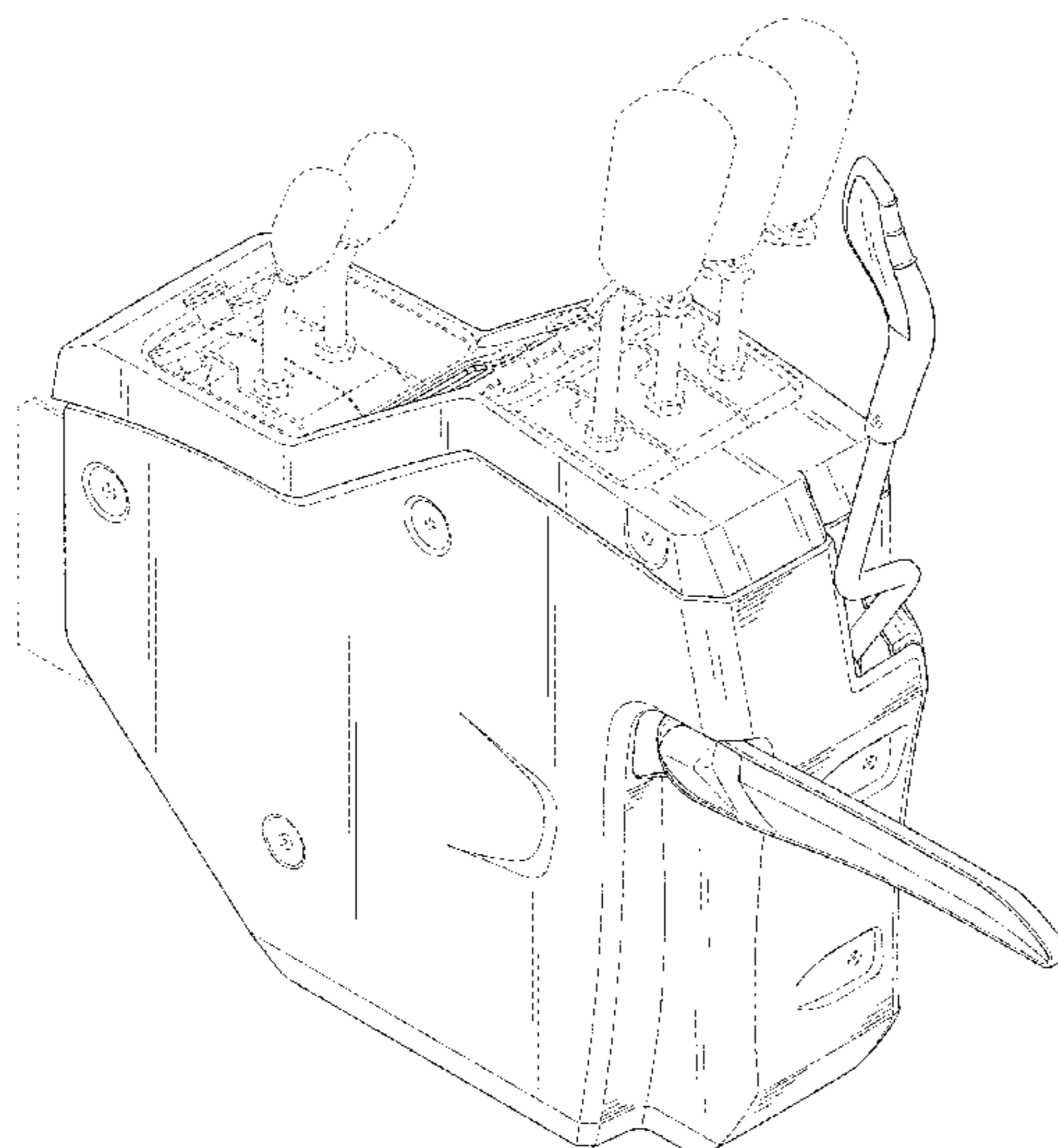
The ornamental design for a console for construction machine, as shown and described.

DESCRIPTION

FIG. 1 is an enlarged first perspective view of a console for construction machine;
FIG. 2 is an enlarged second perspective view thereof;
FIG. 3 is a front view thereof;
FIG. 4 is a rear view thereof;
FIG. 5 is a left side view thereof;
FIG. 6 is a right side view thereof;
FIG. 7 is a top view thereof; and,
FIG. 8 is a bottom view thereof.

The broken lines depict portions of the console for construction machine in which the design is embodied that are not considered part of the claimed design.

1 Claim, 8 Drawing Sheets



(56)

References Cited

U.S. PATENT DOCUMENTS

D887,456 S *	6/2020	Adachi	D15/28
D887,457 S *	6/2020	Adachi	D15/28
D887,458 S *	6/2020	Adachi	D15/28
2007/0295551 A1 *	12/2007	Proud	B60K 26/02 180/333

* cited by examiner

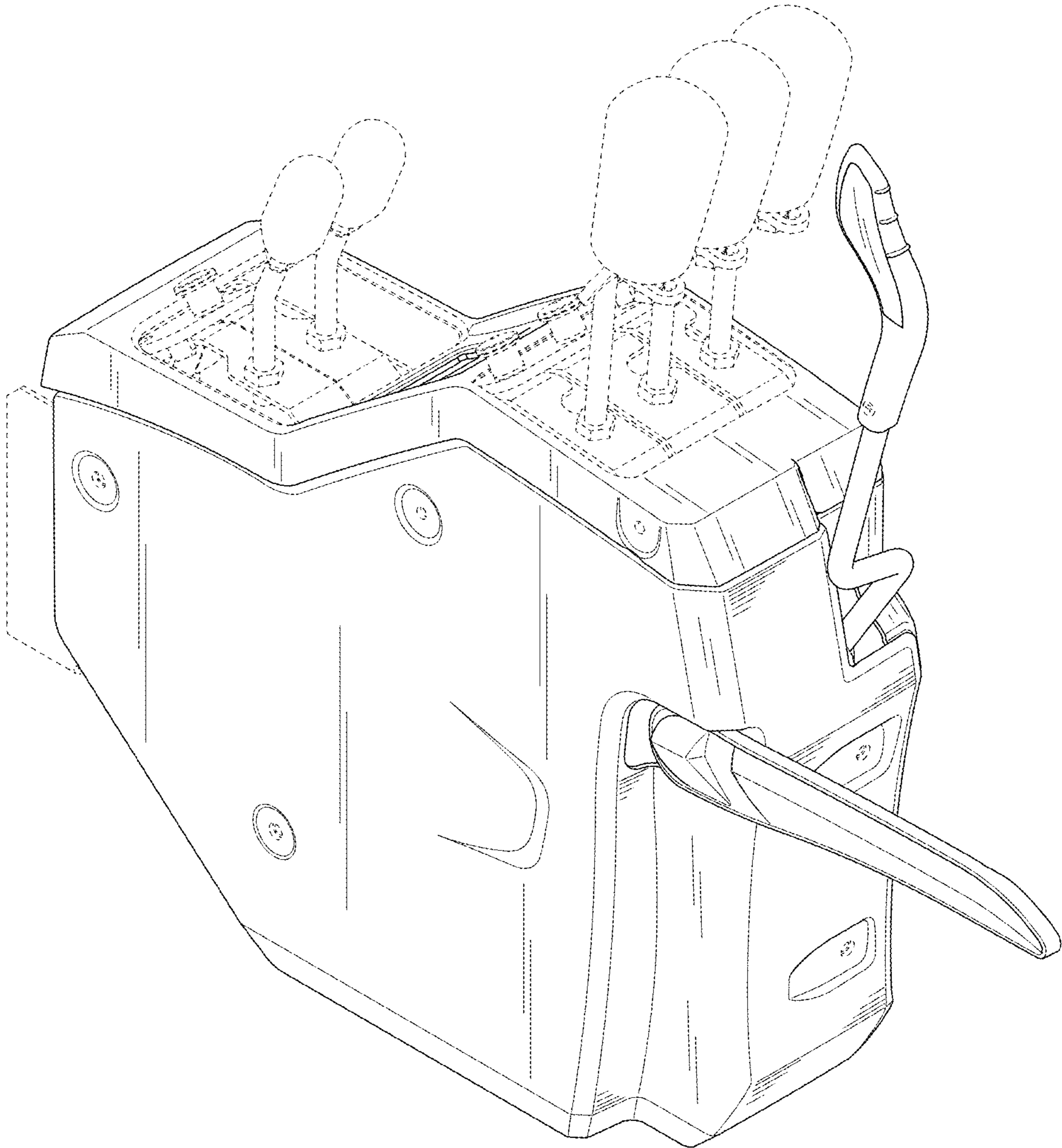


FIG. 1

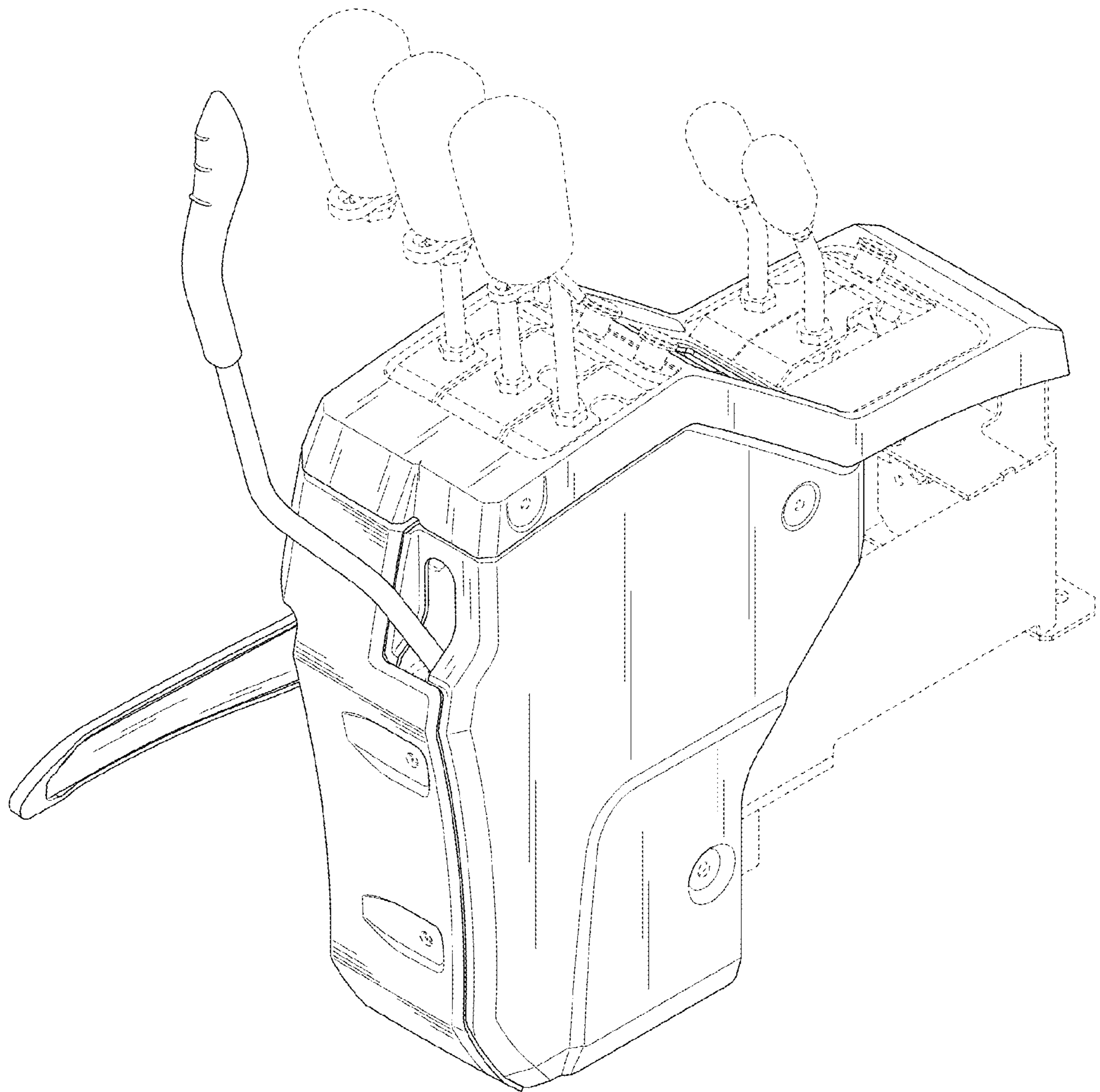


FIG.2

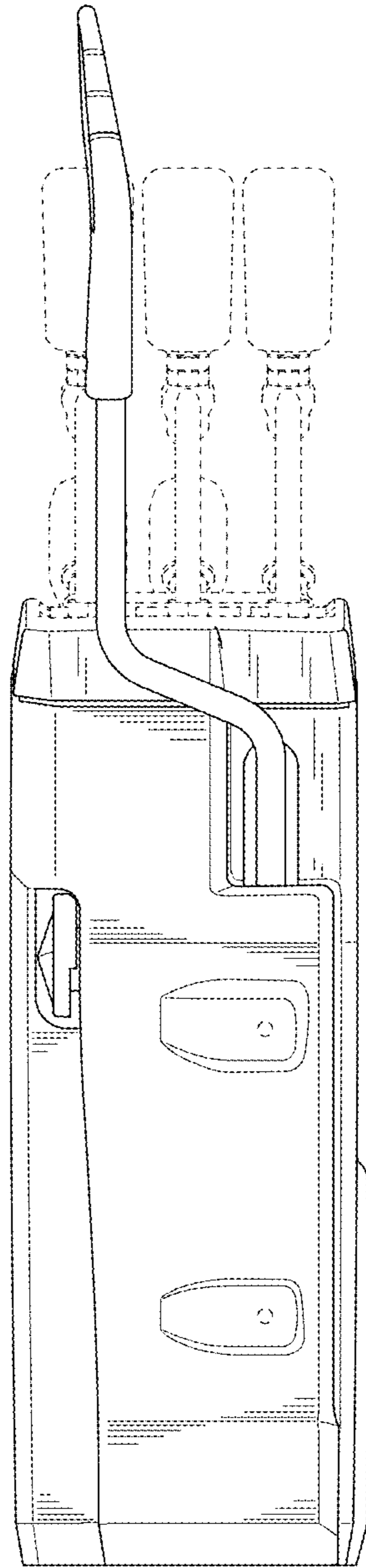


FIG.3

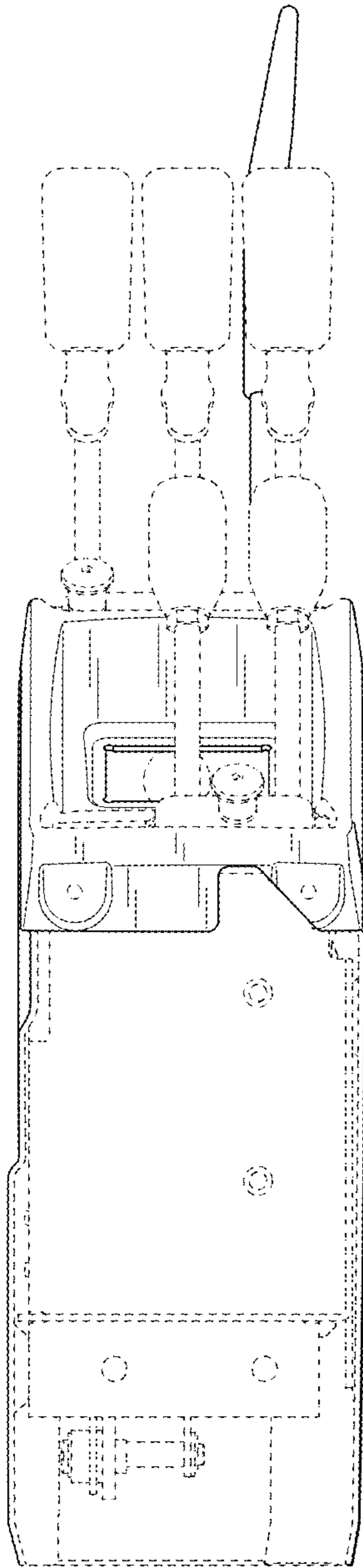


FIG.4

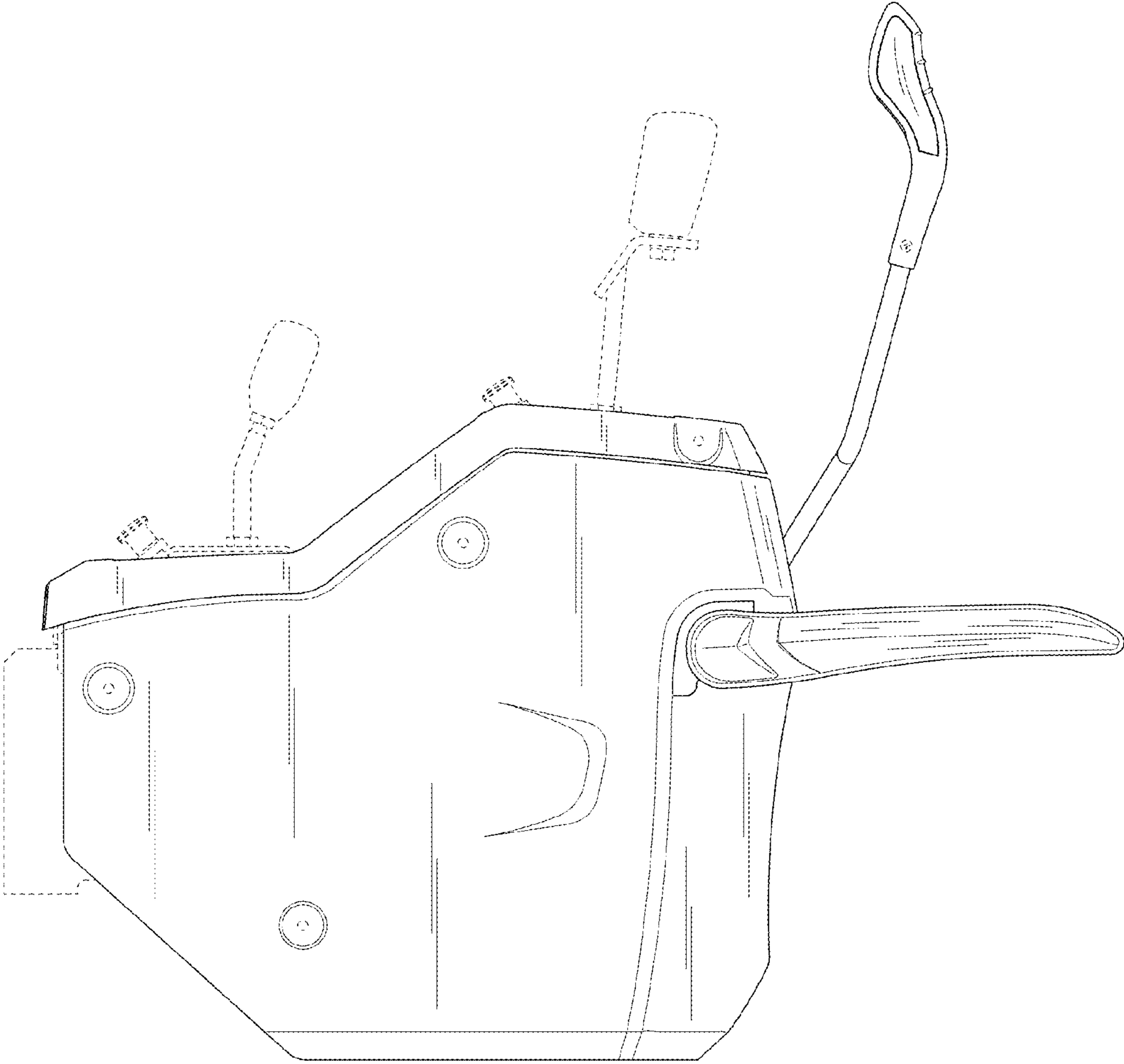


FIG.5

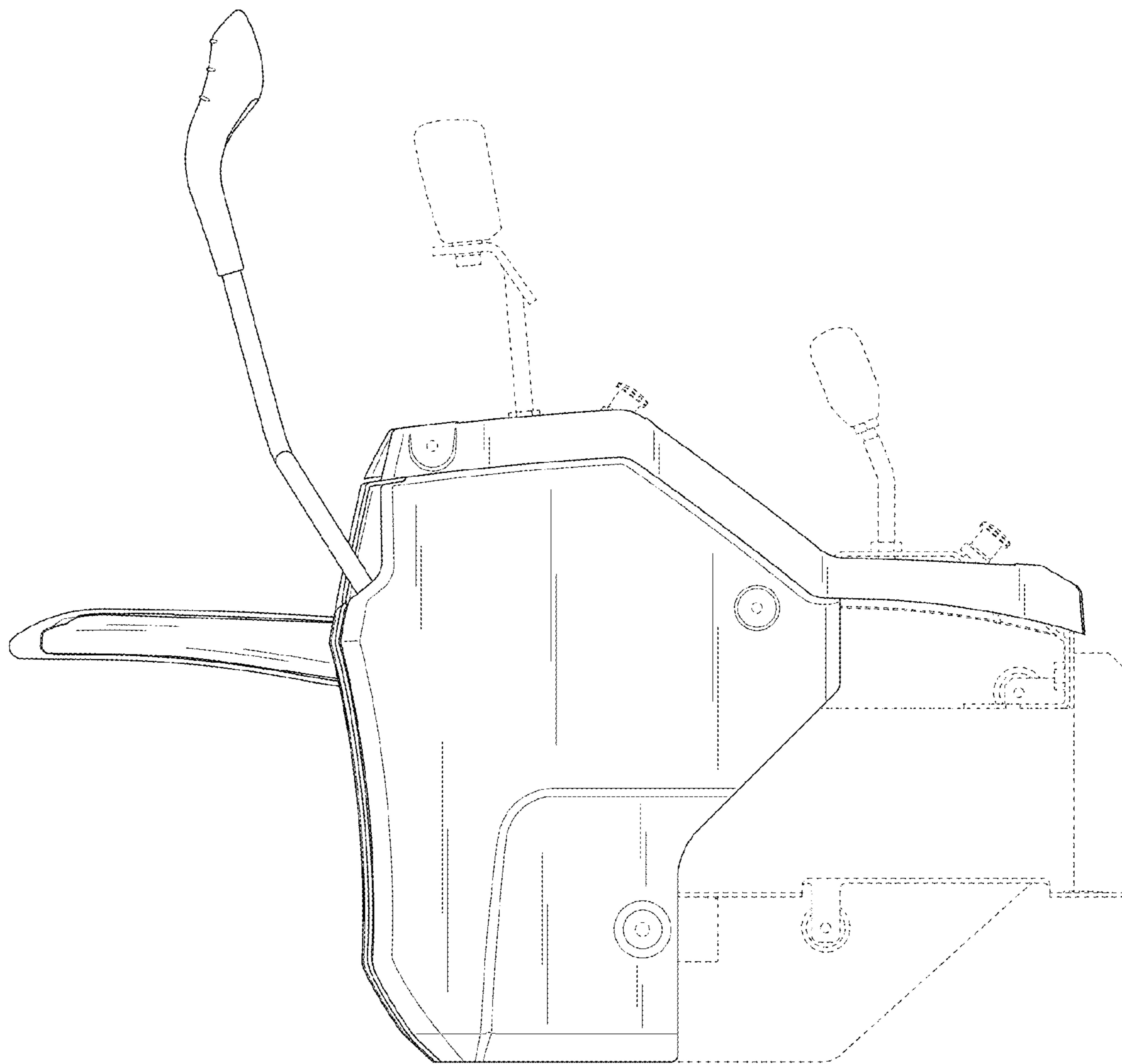


FIG.6

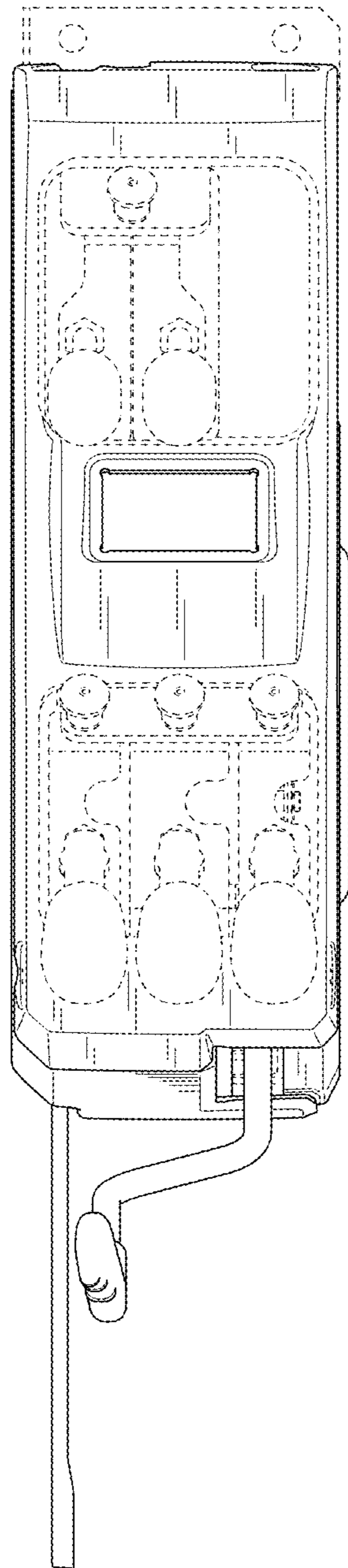


FIG.7

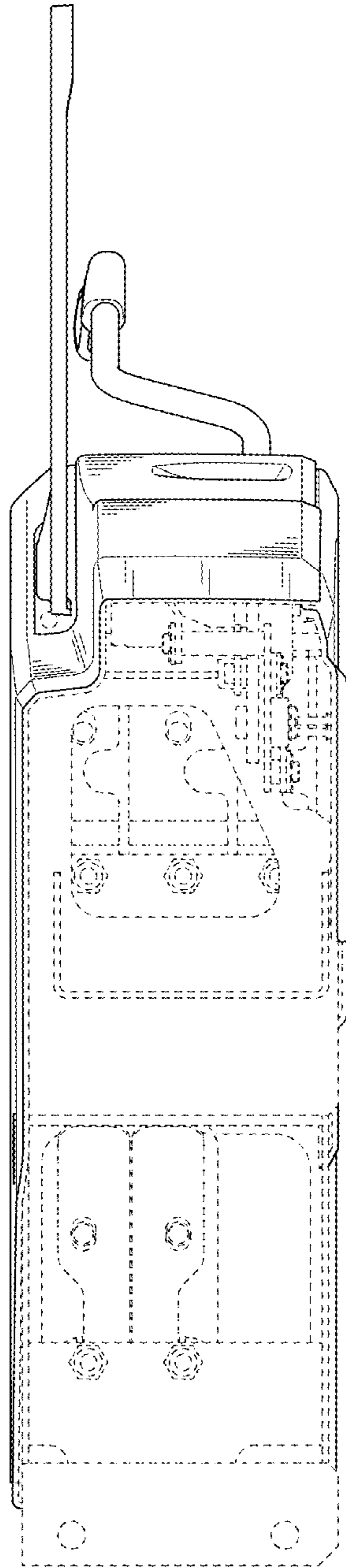


FIG.8