



US00D931340S

(12) **United States Design Patent** (10) **Patent No.:** **US D931,340 S**
Alig (45) **Date of Patent:** **** Sep. 21, 2021**

(54) **SELF-ROTATING GRAIN SPREADER FOR A GRAIN BIN**

(71) Applicant: **David Dale Alig**, Ft. Recovery, OH (US)

(72) Inventor: **David Dale Alig**, Ft. Recovery, OH (US)

(**) Term: **15 Years**

(21) Appl. No.: **29/725,851**

(22) Filed: **Feb. 27, 2020**

(51) **LOC (13) Cl.** **15-03**

(52) **U.S. Cl.**
USPC **D15/28**

(58) **Field of Classification Search**
USPC D15/10, 23-26, 28, 29, 32; D8/1
CPC B28C 7/0046; B28C 7/00; B28C 7/067;
B65D 90/12; B65D 90/14; B65D 88/52;
B65D 88/30; B65D 88/128; F26B 9/085;
F26B 9/06; F26B 9/08; B65G 69/0441
See application file for complete search history.

(56) **References Cited**

U.S. PATENT DOCUMENTS

1,793,032	A *	2/1931	Welker	B65G 69/0441
					414/301
3,445,091	A *	5/1969	Jackson	F26B 9/085
					366/261
3,868,028	A	2/1975	Mausser		
4,040,529	A	8/1977	Wurdeman et al.		
4,272,028	A	6/1981	Cobb		
4,611,965	A	9/1986	Dixon et al.		
4,902,185	A	2/1990	Dixon et al.		
5,020,701	A	6/1991	Donelson		
5,372,467	A	12/1994	Harris		
5,393,189	A	12/1995	Berquist		
5,570,954	A *	11/1996	Sukup	F26B 9/085
					366/261

6,991,415	B1 *	1/2006	Anschultz	B65G 69/0441
					414/299
6,992,415	B2	1/2006	Auschultz		
7,931,432	B2	4/2011	Hershberger		
7,946,796	B2	5/2011	Halland et al.		
10,889,455	B1 *	1/2021	Agnew	E04H 7/22
2004/0046071	A1 *	3/2004	Shivvers	B65G 69/0458
					239/682
2006/0072989	A1 *	4/2006	Kaeb	B65G 65/466
					414/310
2008/0219817	A1 *	9/2008	Halland	B65G 69/0441
					414/301
2009/0324372	A1 *	12/2009	Hershberger	B65G 69/0458
					414/299

(Continued)

Primary Examiner — Mark A Goodwin

Assistant Examiner — Benjamin M Weeks

(74) *Attorney, Agent, or Firm* — Jacox, Meckstroth & Jenkins

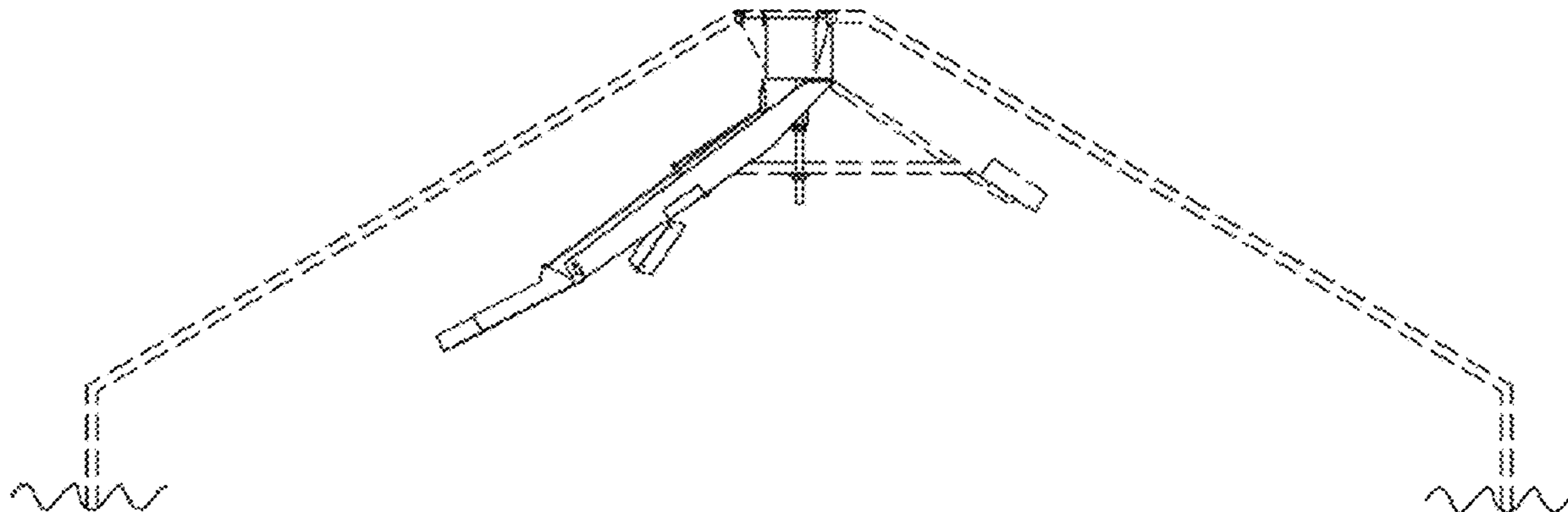
(57) **CLAIM**

The ornamental design of a self-rotating grain spreader for a grain bin, as shown and described.

DESCRIPTION

FIG. 1 is an elevational side view of a self-rotating grain spreader for a grain bin;
 FIG. 2 is an enlarged side view before grain is distributed; the opposite side view being a mirror image;
 FIG. 3 is a side view thereof after a trap door and end portion of the chute are lowered;
 FIG. 4 is a perspective view thereof; and showing the adjustment members for the trap door and end portion of the chute;
 FIG. 5 is an enlarged view of the adjustment members shown in FIG. 4, for adjusting the trap door and end portion of the chute; and,
 FIG. 6 is a bottom view thereof.
 The broken lines in FIGS. 1-6 depict the environment and portions which form no part of the claimed design.

1 Claim, 4 Drawing Sheets



(56)

References Cited

U.S. PATENT DOCUMENTS

2010/0239399 A1* 9/2010 Hoogestraat B65G 65/466
414/310
2014/0165854 A1* 6/2014 Green B02B 5/00
99/468
2015/0196883 A1* 7/2015 Jensen F26B 25/04
248/324
2016/0038894 A1* 2/2016 Jensen B01F 3/18
366/297
2018/0128356 A1* 5/2018 Koehler B65G 65/4836
2019/0291980 A1* 9/2019 Honeck B65G 69/0441
2020/0263923 A1* 8/2020 Bloemendaal F26B 21/12
2020/0396903 A1* 12/2020 Kosior A01F 25/14

* cited by examiner

FIG 1

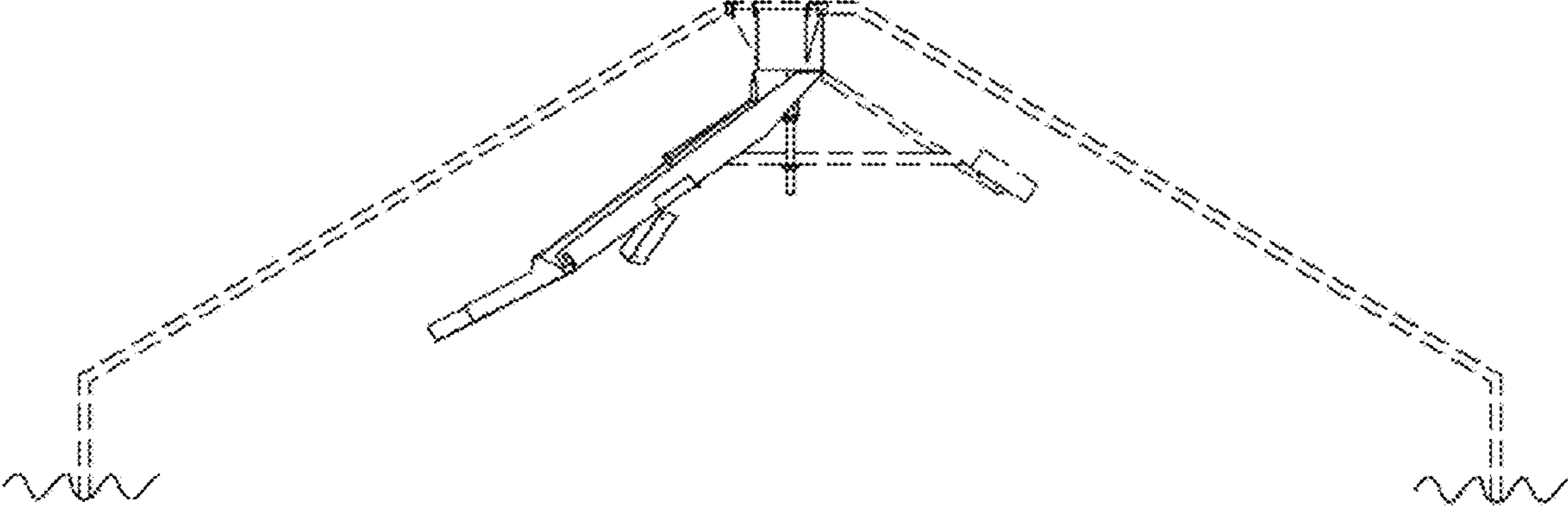


FIG 2

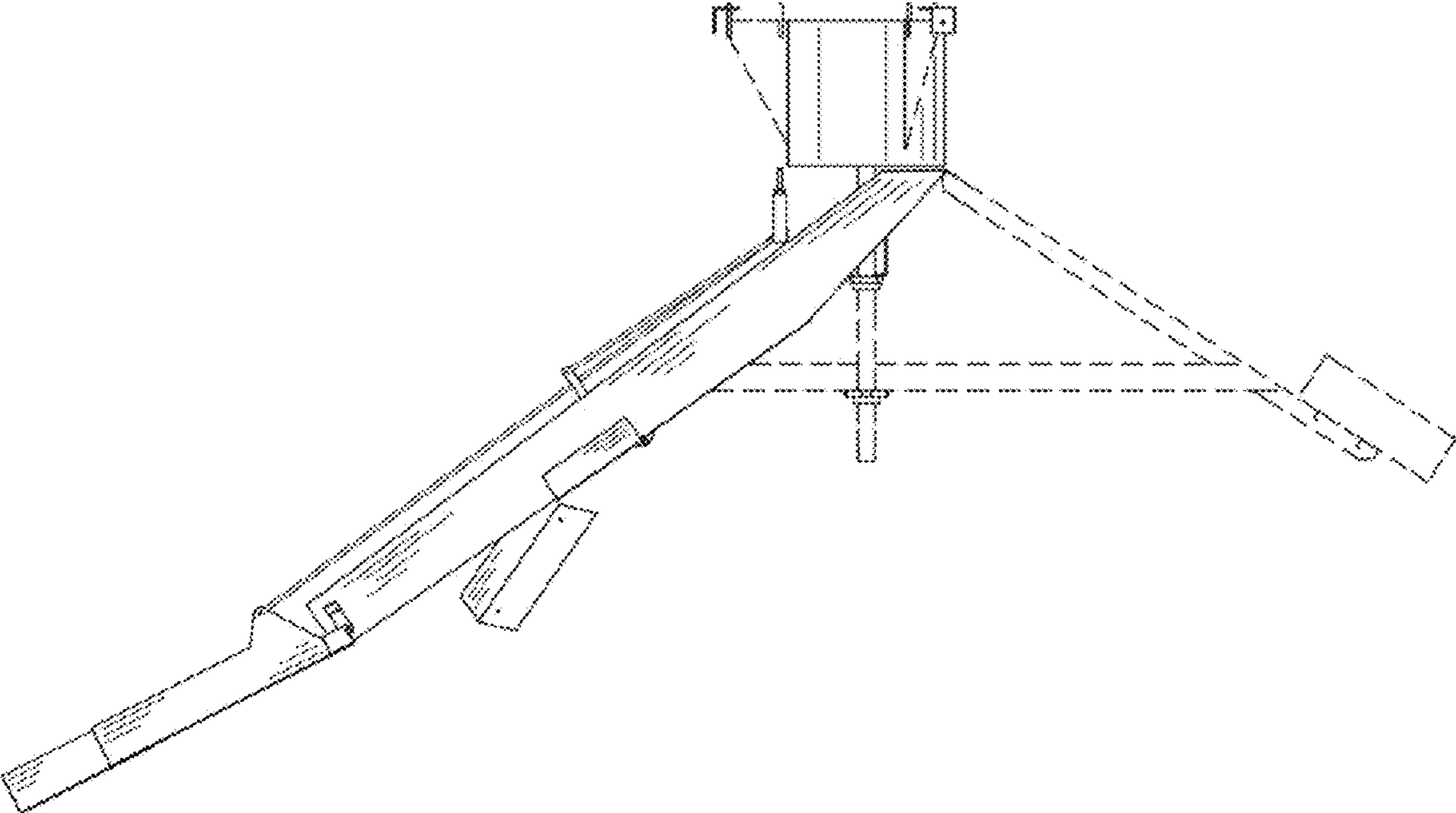


FIG 3

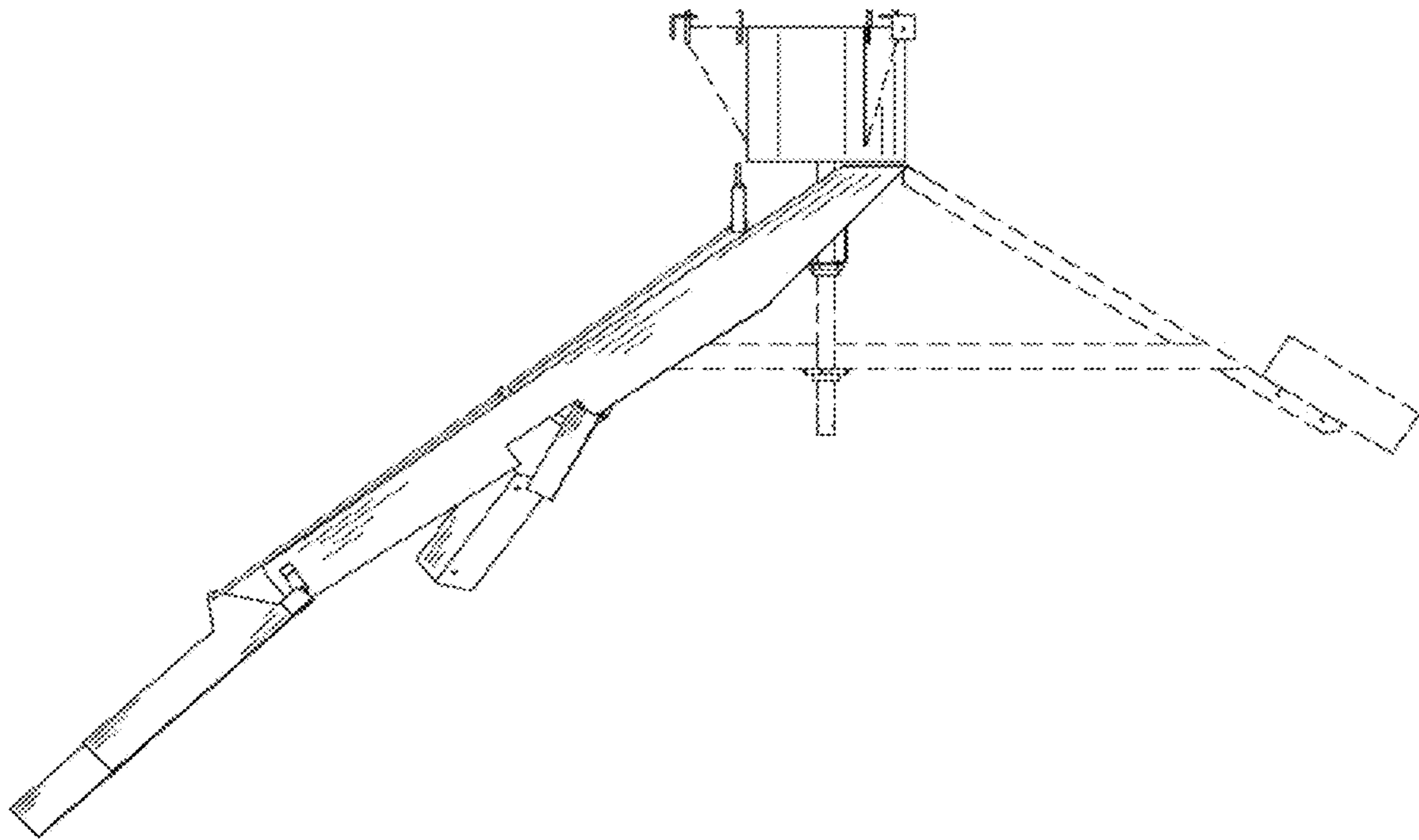


FIG 4

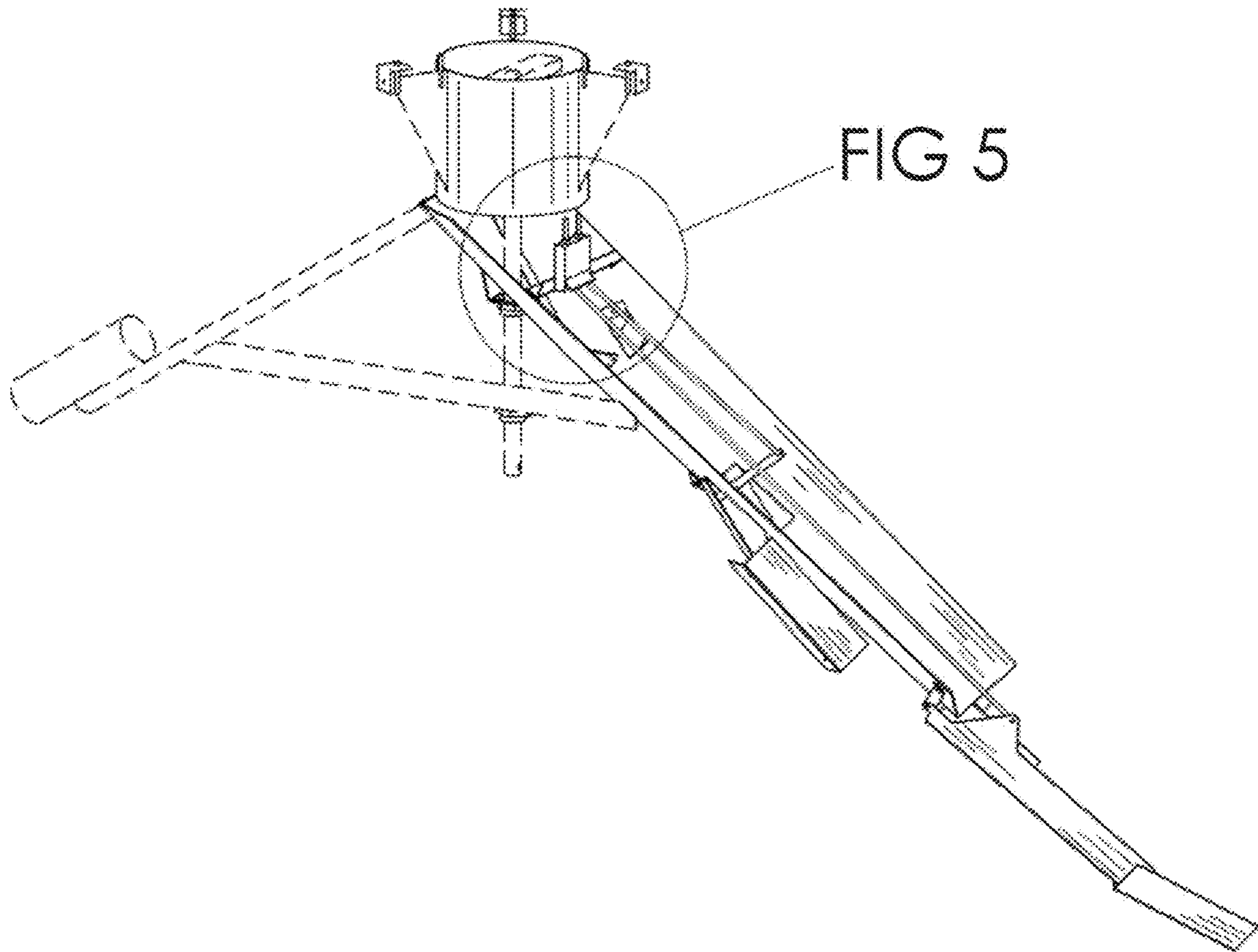


FIG 5

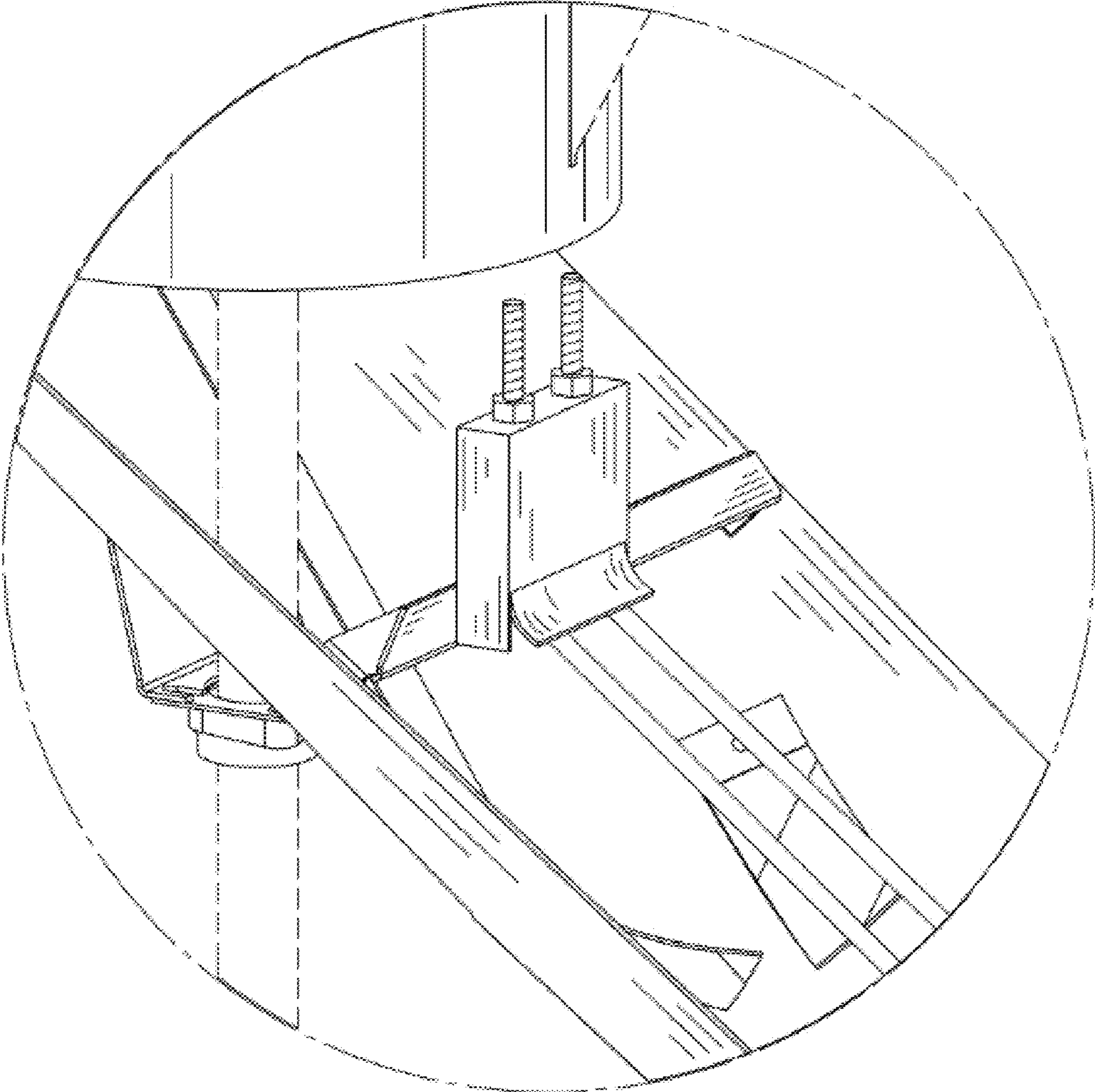


FIG 6

