



US00D931338S

(12) **United States Design Patent**  
**Taylor et al.**

(10) **Patent No.:** **US D931,338 S**

(45) **Date of Patent:** **\*\* Sep. 21, 2021**

(54) **VALVE**

7,237,529 B2 \* 7/2007 Hannewald ..... F02D 9/1065  
123/337

(71) Applicant: **Cummins Ltd**, London (GB)

9,726,087 B2 \* 8/2017 Coker ..... F02D 9/1005  
D868,838 S \* 12/2019 Liang ..... D15/5

(72) Inventors: **Iain M. Taylor**, West Yorkshire (GB);  
**Sagar A. Hore**, West Yorkshire (GB);  
**Mark R. Holden**, West Yorkshire (GB)

10,794,299 B2 \* 10/2020 Lee ..... F16K 31/043  
10,823,088 B2 \* 11/2020 Zeumer ..... F02D 9/10

\* cited by examiner

(73) Assignee: **Cummins Ltd.**, London (GB)

*Primary Examiner* — Gino Colan

(\*\*) Term: **15 Years**

(74) *Attorney, Agent, or Firm* — Faegre Drinker Biddle &  
Reath LLP

(21) Appl. No.: **29/715,980**

(22) Filed: **Dec. 5, 2019**

(57) **CLAIM**

(30) **Foreign Application Priority Data**

We claim the ornamental designs for the valve, as shown and described.

Jun. 7, 2019 (EP) ..... 006570164-0001

(51) **LOC (13) Cl.** ..... **15-01**

(52) **U.S. Cl.**  
USPC ..... **D15/5**

(58) **Field of Classification Search**  
USPC ..... D23/233–237, 241–249; D15/1, 5  
CPC ..... F16K 1/221; F16K 31/043; F16K 31/535;  
F16K 5/0464; F02D 9/1065; F02D 9/08;  
F02D 2009/0294

See application file for complete search history.

**DESCRIPTION**

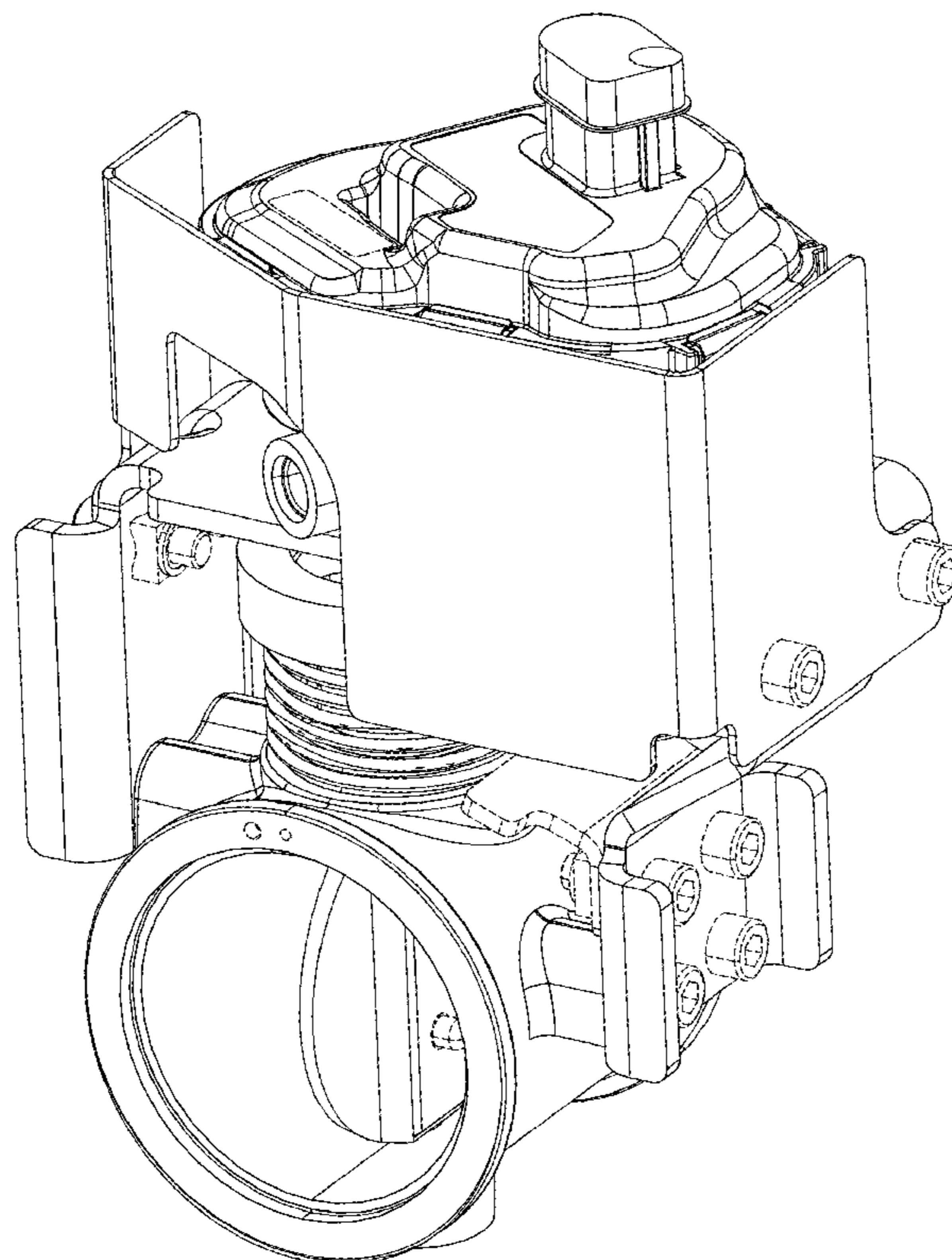
FIG. 1 is a front perspective view of a valve showing our new design;  
FIG. 2 is a first side view thereof;  
FIG. 3 is an opposing side view thereof;  
FIG. 4 is a front view thereof;  
FIG. 5 is a rear view thereof;  
FIG. 6 is a top view thereof; and,  
FIG. 7 is a bottom view thereof.  
The portions of the valve shown in broken lines form no part of the claimed design.

(56) **References Cited**

**U.S. PATENT DOCUMENTS**

D474,831 S \* 5/2003 Taylor ..... D23/233  
D476,719 S \* 7/2003 Taylor ..... D23/233

**1 Claim, 7 Drawing Sheets**



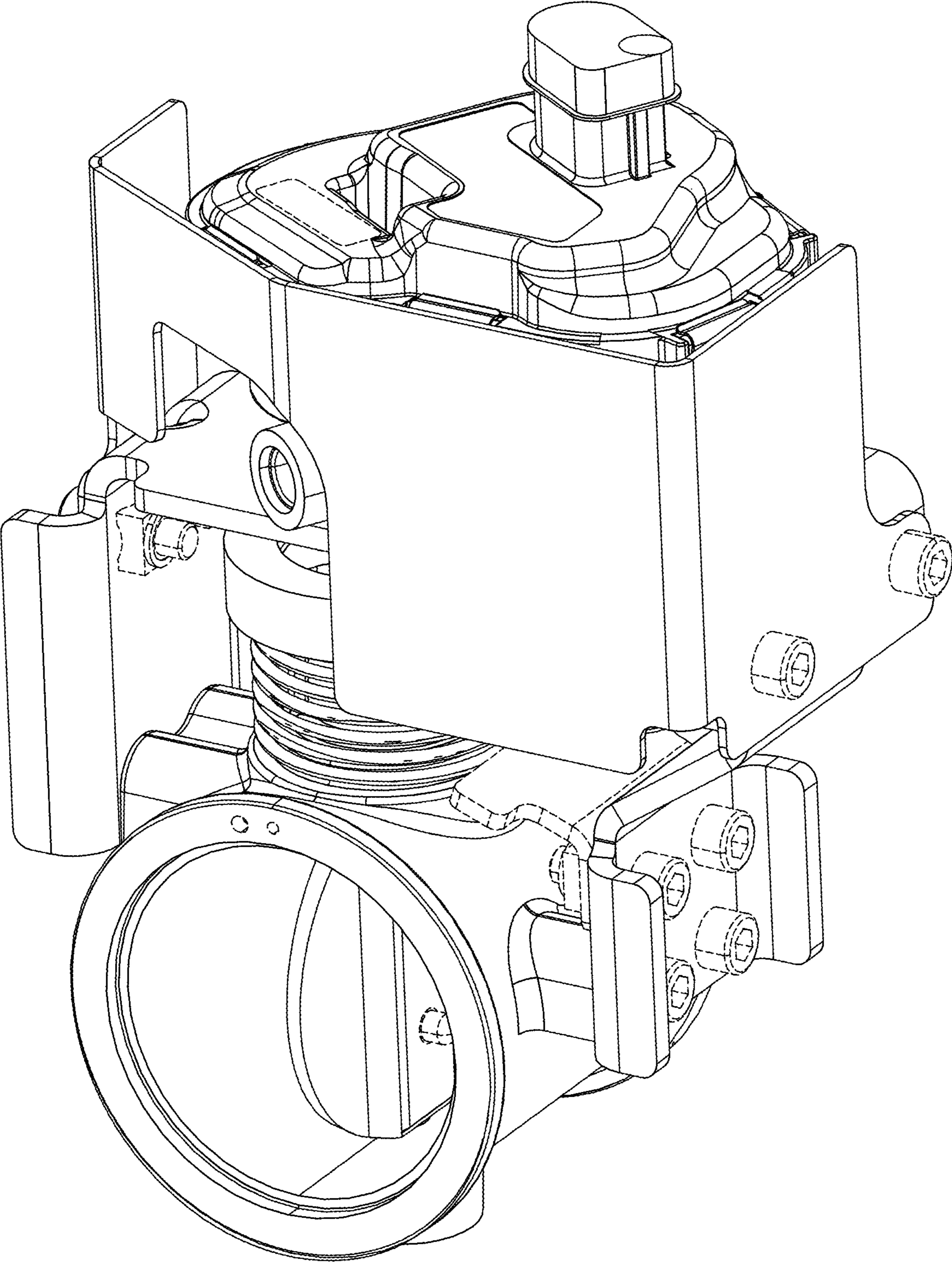


Fig. 1

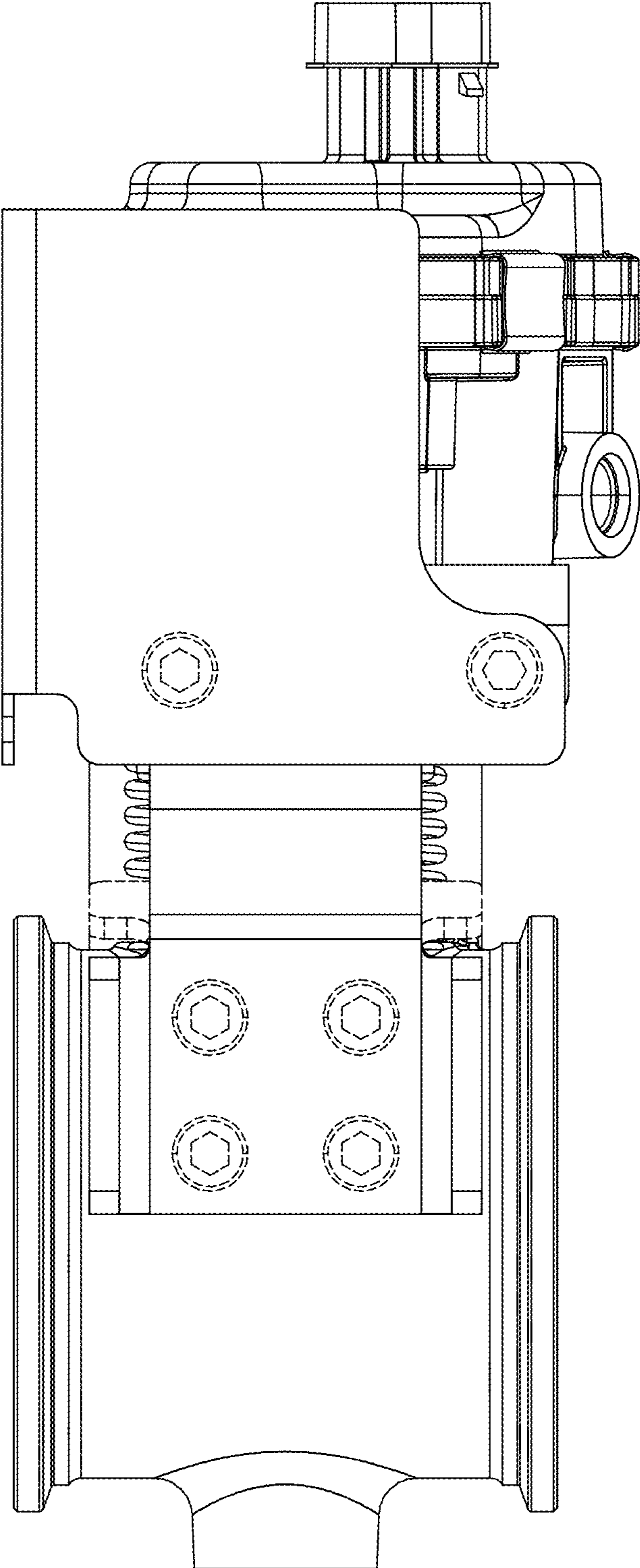


Fig. 2

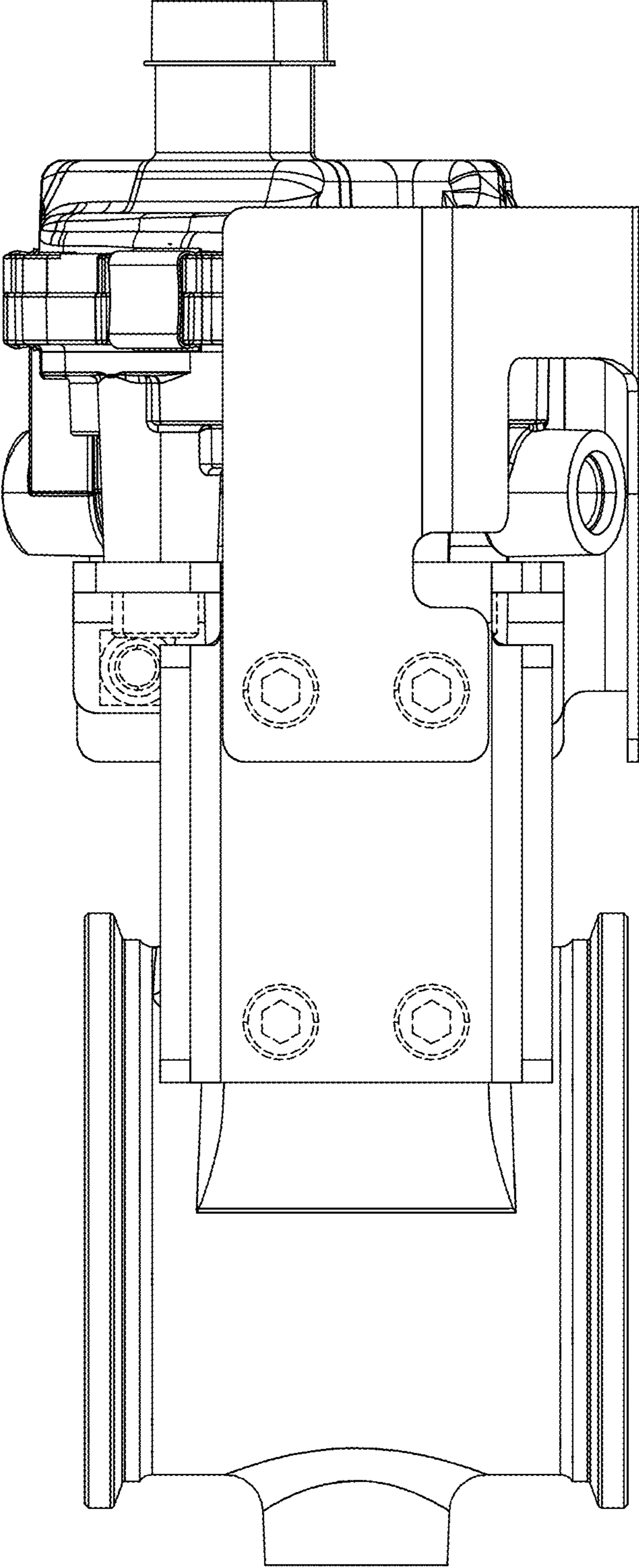


Fig. 3

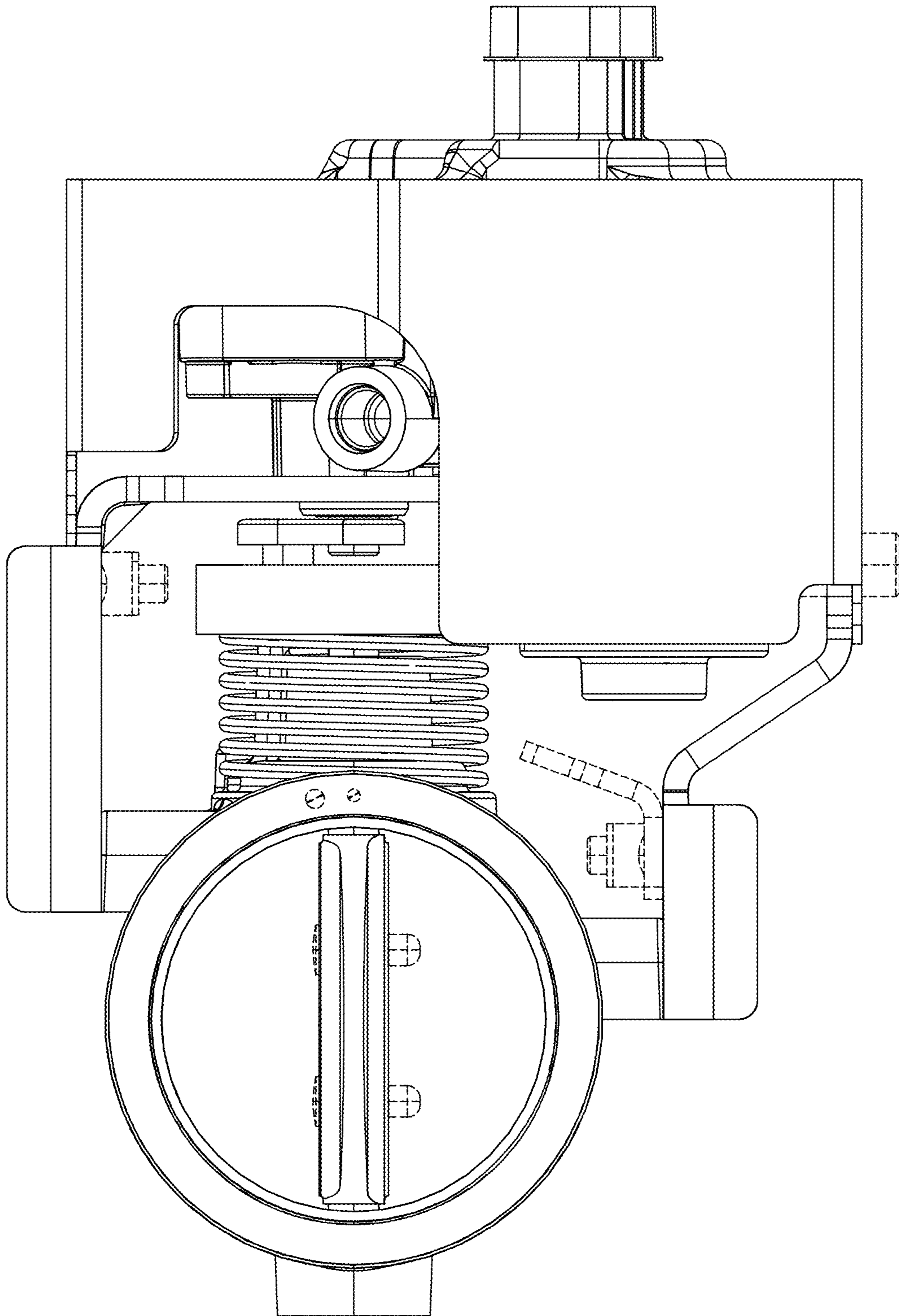


Fig. 4

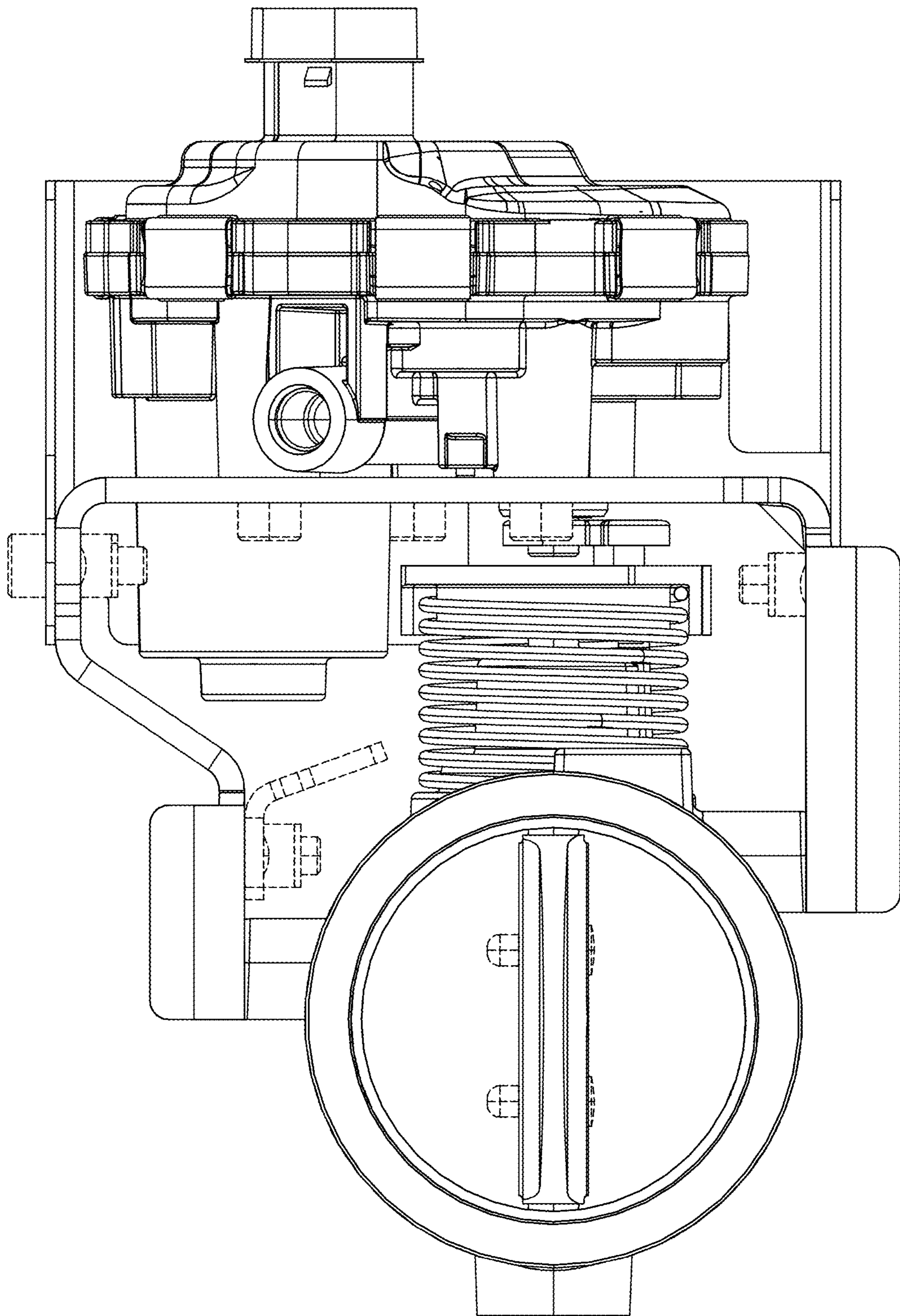


Fig. 5

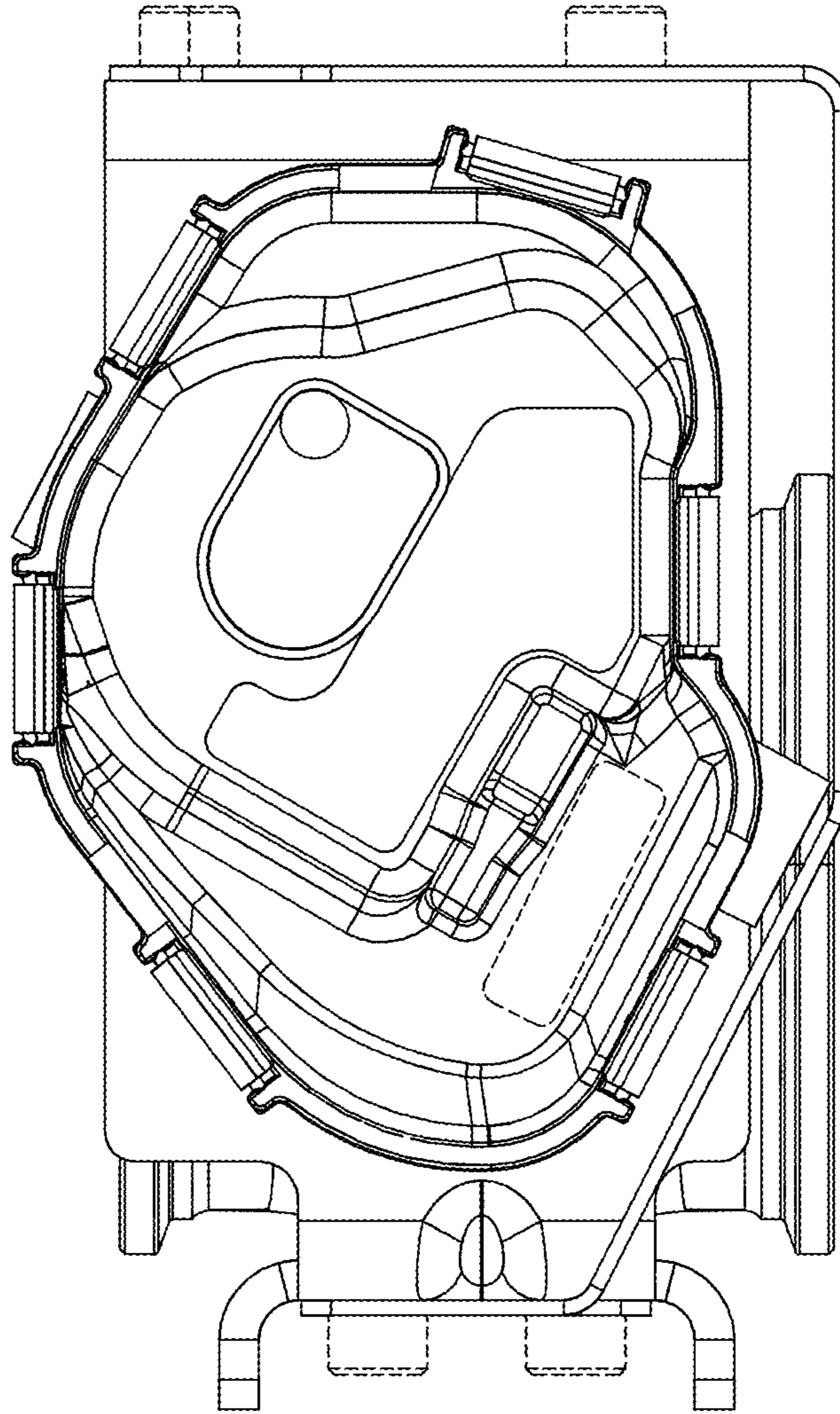


Fig. 6

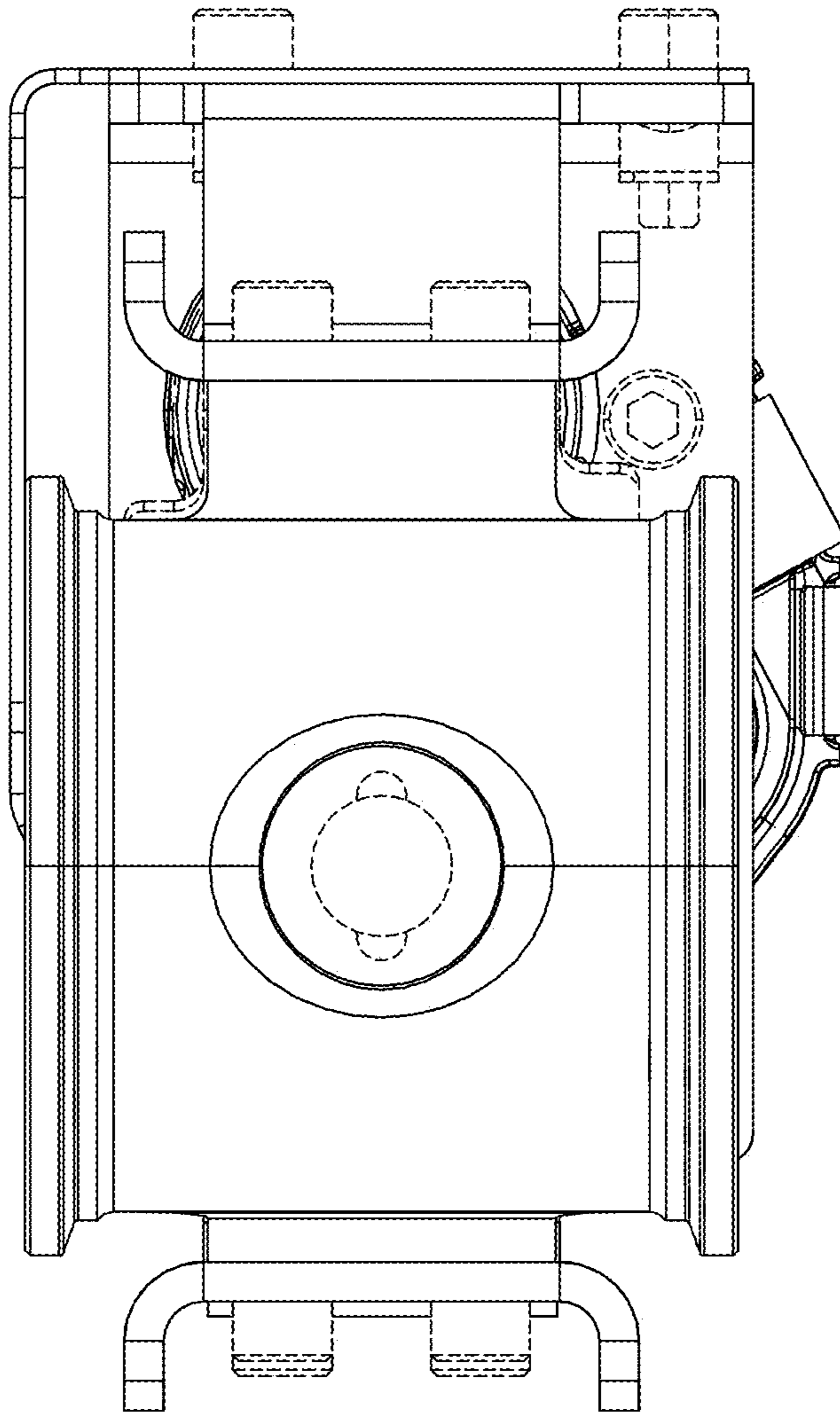


Fig. 7