



US00D931337S

(12) **United States Design Patent** (10) **Patent No.:** **US D931,337 S**  
**Wettig et al.** (45) **Date of Patent:** **\*\* Sep. 21, 2021**

(54) **INTERCOOLER FOR AUTOMOTIVE APPLICATIONS**

(71) Applicant: **RESOURCE INTERNATIONAL INC.**, New Castle, DE (US)

(72) Inventors: **Jason Wettig**, Abingdon, MD (US); **Steve Wiley**, Bear, DE (US)

(73) Assignee: **RESOURCE INTERNATIONAL INC.**, New Castle, DE (US)

(\*\*) Term: **15 Years**

(21) Appl. No.: **29/666,411**

(22) Filed: **Oct. 12, 2018**

(51) **LOC (13) Cl.** ..... **15-01**

(52) **U.S. Cl.**  
USPC ..... **D15/5**

(58) **Field of Classification Search**  
USPC ..... D15/1-5; D23/323  
CPC ..... F02B 29/0425; F02B 29/0412; F02B 29/0437; F02B 29/0443; F02B 29/045; F28D 7/0066; F28D 1/0408; F28F 1/04; F28F 1/12; F28F 9/02; F28F 21/02; B60H 1/14; B60H 1/3211; B60H 1/00271; B60H 1/3205; B60H 1/00342; F01P 11/08; B21D 53/08; F02M 26/27; F02M 26/31; F02M 35/10268  
See application file for complete search history.

(56) **References Cited**

U.S. PATENT DOCUMENTS

D534,185	S *	12/2006	Chan	.....	D15/5
D637,207	S *	5/2011	Alberti	.....	D15/5
9,482,146	B1 *	11/2016	Ray	.....	F02B 37/12
D808,436	S *	1/2018	Hamburger	.....	D15/5
D811,438	S *	2/2018	Hamburger	.....	D15/5
9,890,692	B1 *	2/2018	Turnage	.....	F02B 29/045
10,436,083	B1 *	10/2019	Au	.....	F01M 5/002

2002/0023734	A1 *	2/2002	Wagner	.....	F28D 1/05366	165/81
2008/0121384	A1 *	5/2008	Tseng	.....	F28D 1/05375	165/149
2010/0032149	A1 *	2/2010	Roll	.....	F28D 1/05366	165/175

(Continued)

FOREIGN PATENT DOCUMENTS

DE	102009036740	A1 *	2/2011	.....	F02B 29/0456
DE	102010012028	A1 *	9/2011	.....	F02B 29/0437

(Continued)

*Primary Examiner* — Ania Aman

(74) *Attorney, Agent, or Firm* — Condo Roccia Koptiv LLP

(57) **CLAIM**

The ornamental design for an intercooler for automotive applications, as shown and described.

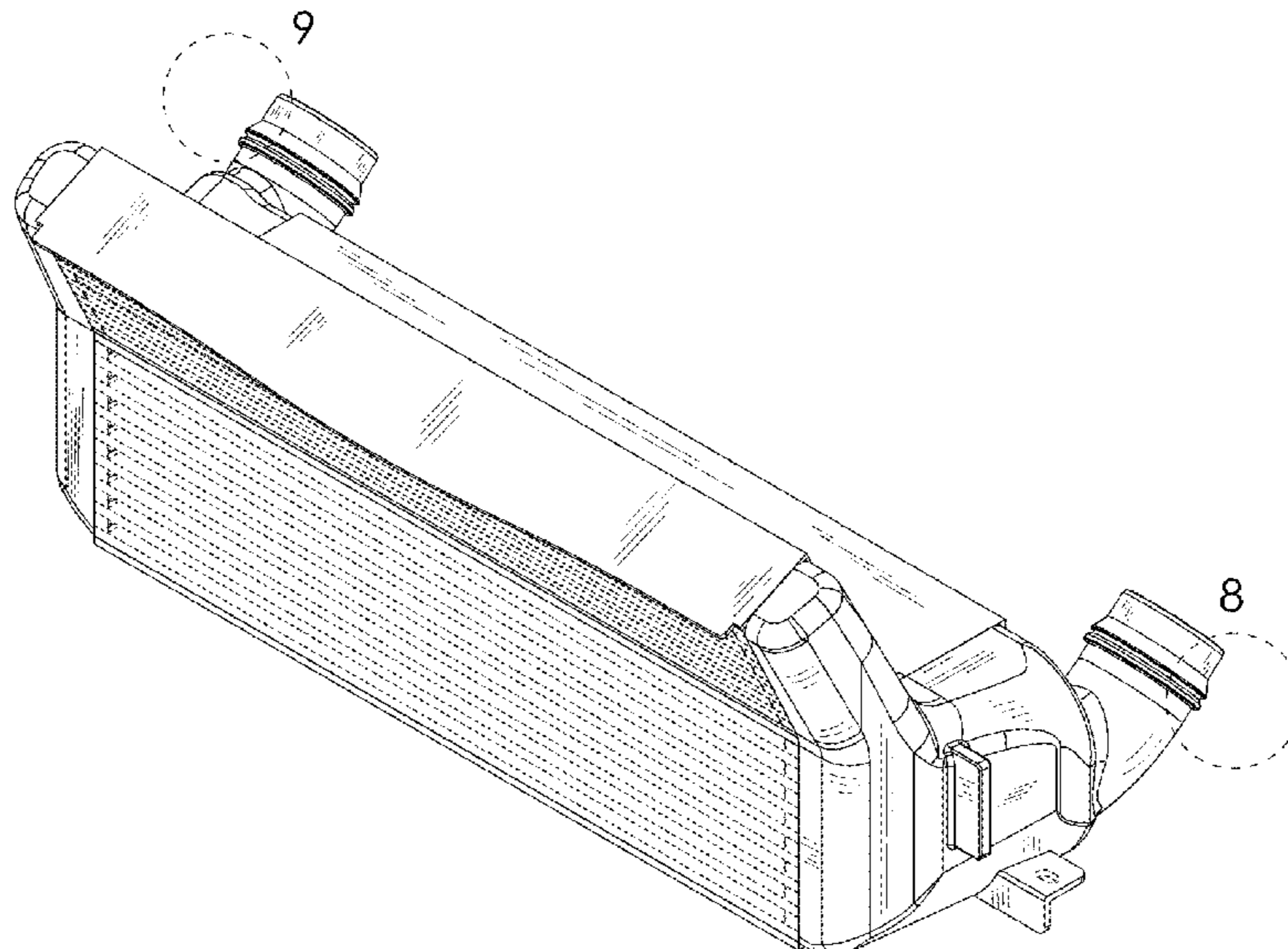
**DESCRIPTION**

FIG. 1 is a front view of an intercooler for automotive applications showing our new design; FIG. 2 is a back view thereof; FIG. 3 is a right view thereof; FIG. 4 is a left view thereof; FIG. 5 is a top view thereof; FIG. 6 is bottom view thereof; FIG. 7 is a perspective view thereof; FIG. 8 is an enlarged view of the area identified as “8” in FIG. 7; and, FIG. 9 is an enlarged view of the area identified as “9” in FIG. 7.

The shade lines in the figures show contour and not surface ornamentation.

The broken lines in the drawing figures show portions of the intercooler for automotive applications which form no part of the claimed design.

**1 Claim, 7 Drawing Sheets**



(56)

**References Cited**

U.S. PATENT DOCUMENTS

2013/0146267 A1\* 6/2013 Garret ..... F28D 7/1684  
165/175  
2016/0237961 A1\* 8/2016 Callaway, III ... F02M 35/10157  
2017/0122186 A1\* 5/2017 Park ..... F02B 29/0406  
2019/0078501 A1\* 3/2019 Lee ..... F02B 29/0443  
2019/0292979 A1\* 9/2019 Hlavac ..... F28F 1/04

FOREIGN PATENT DOCUMENTS

DE 102011080204 A1\* 2/2013 ..... F02B 29/04  
JP 2014109409 A\* 6/2014

\* cited by examiner

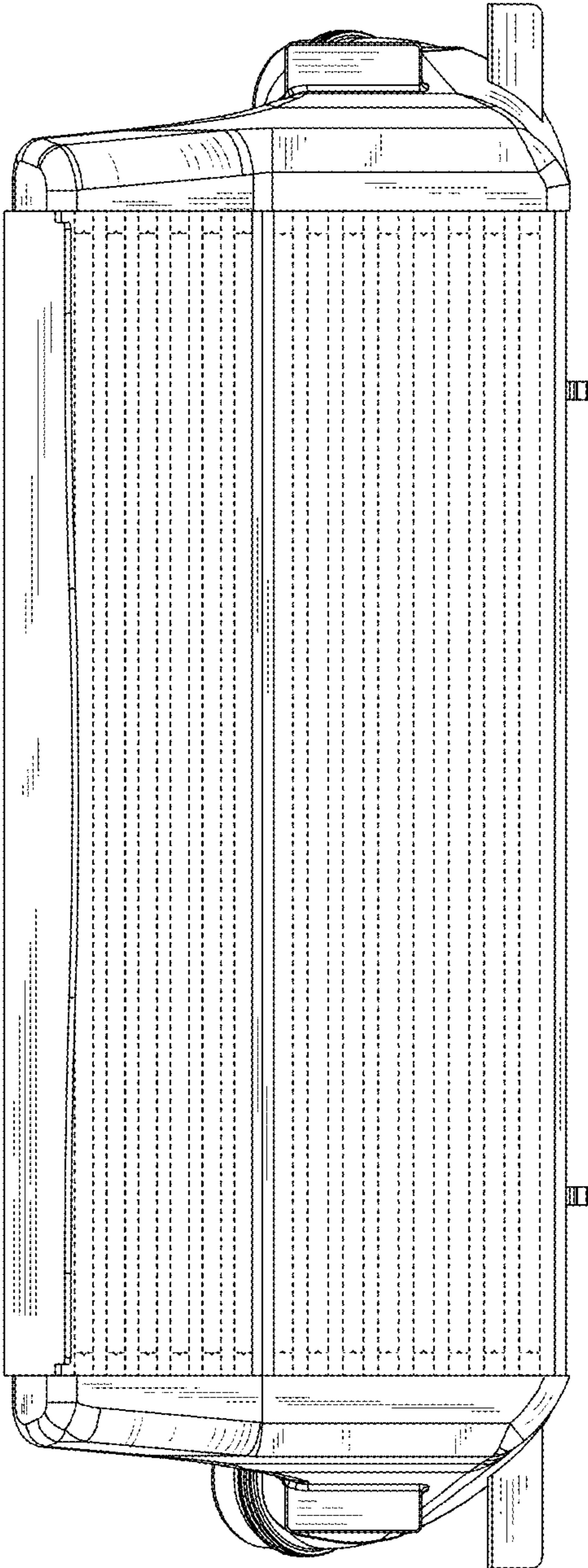


FIGURE 1

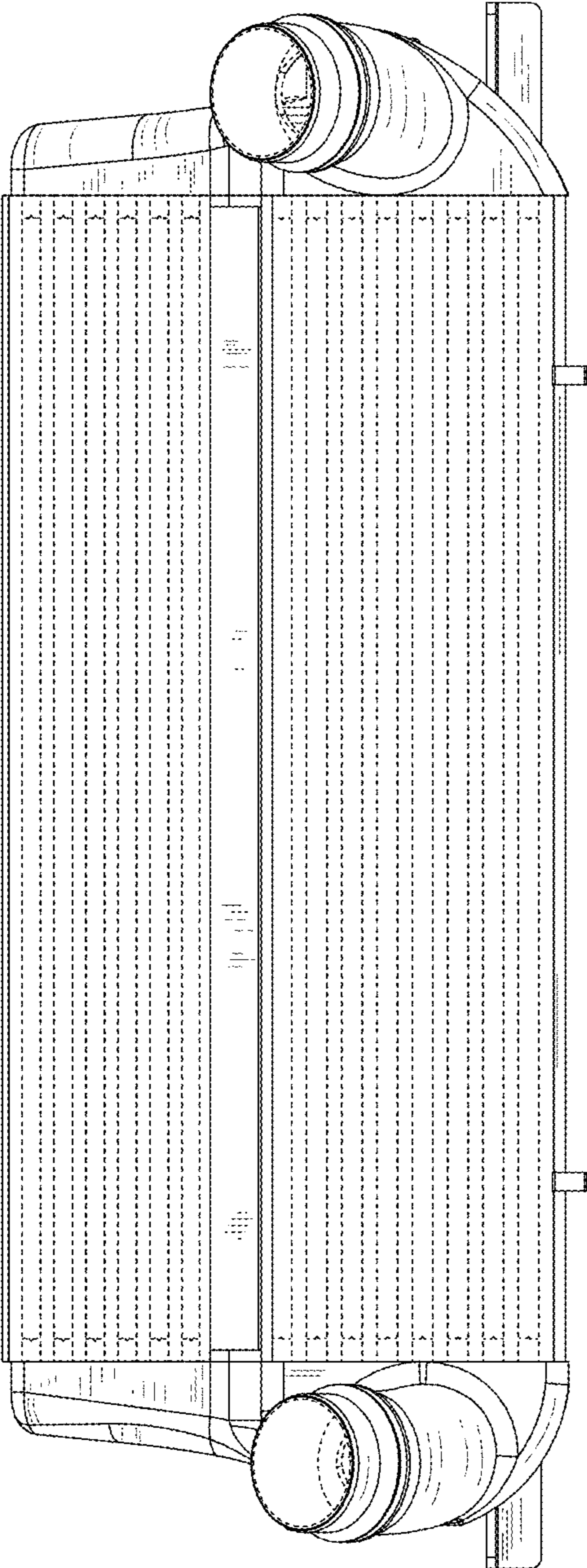


FIGURE 2

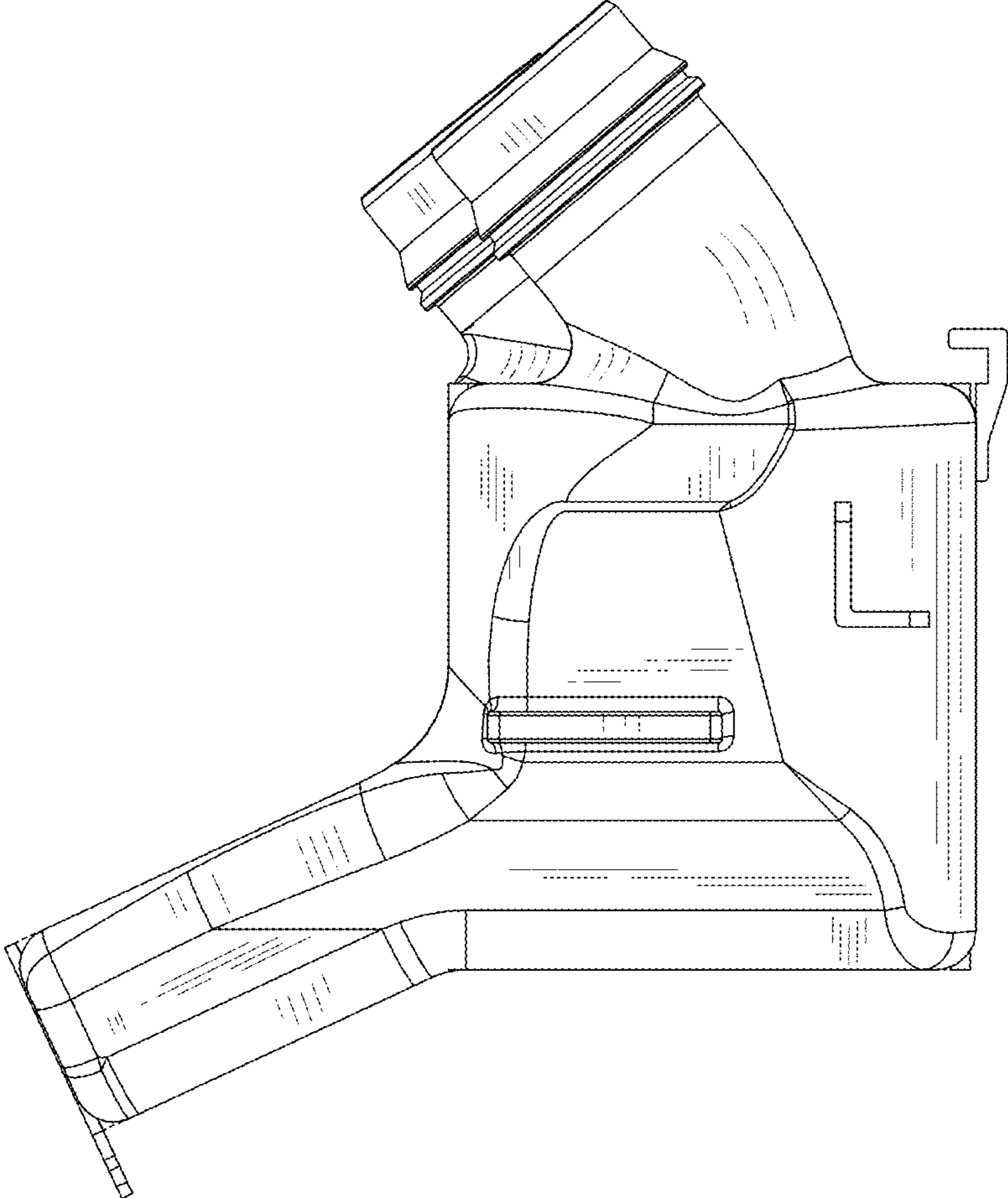


FIGURE 3

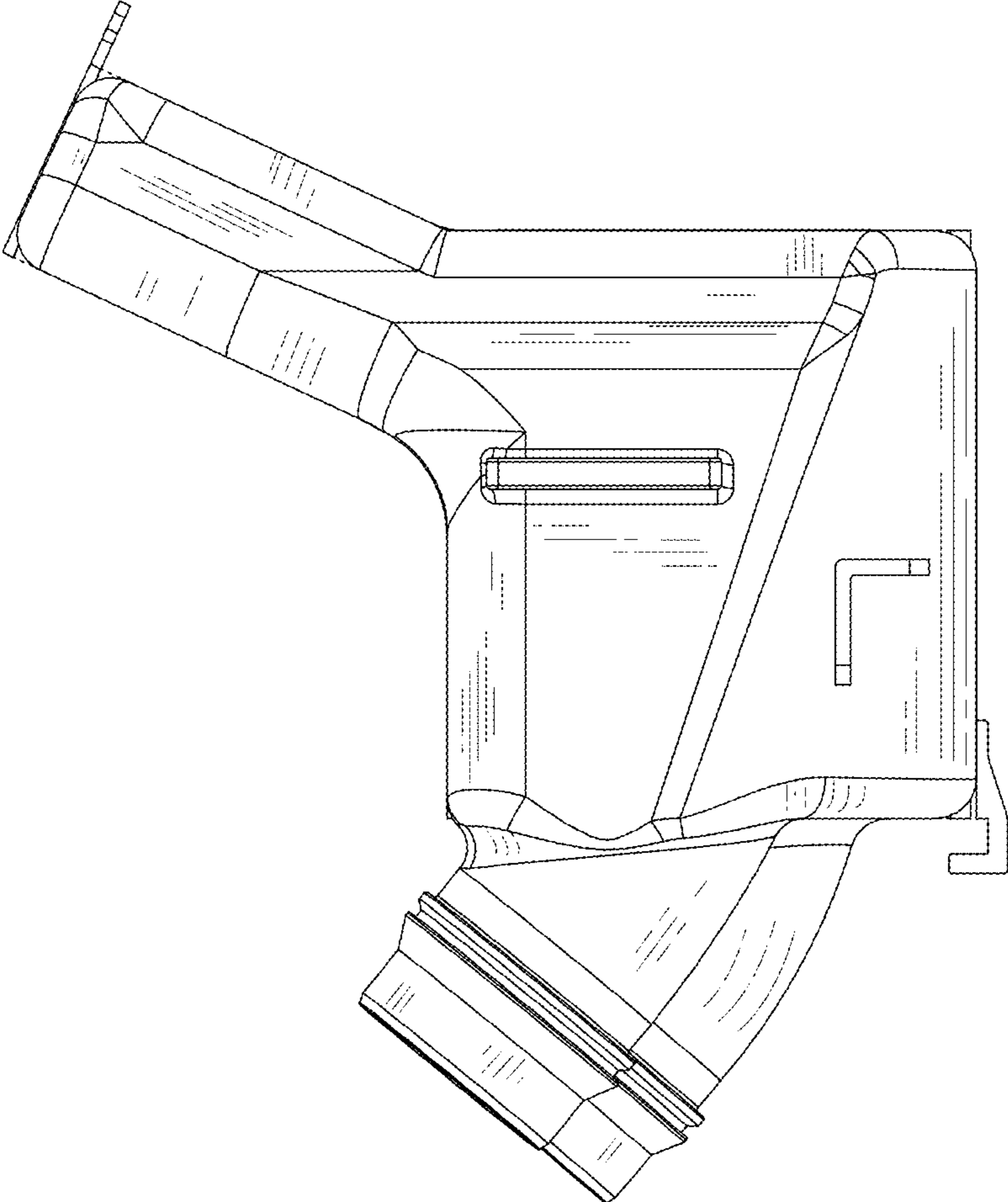


FIGURE 4

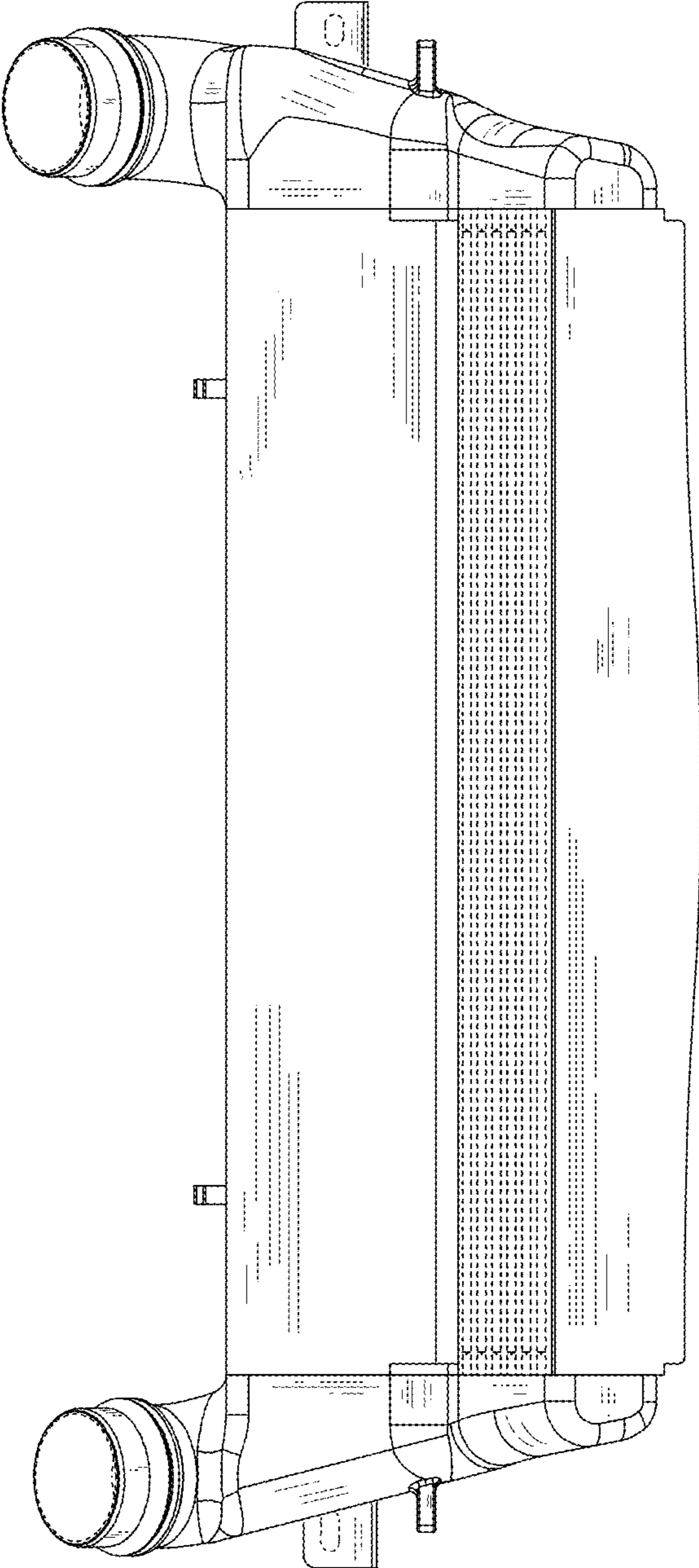


FIGURE 5

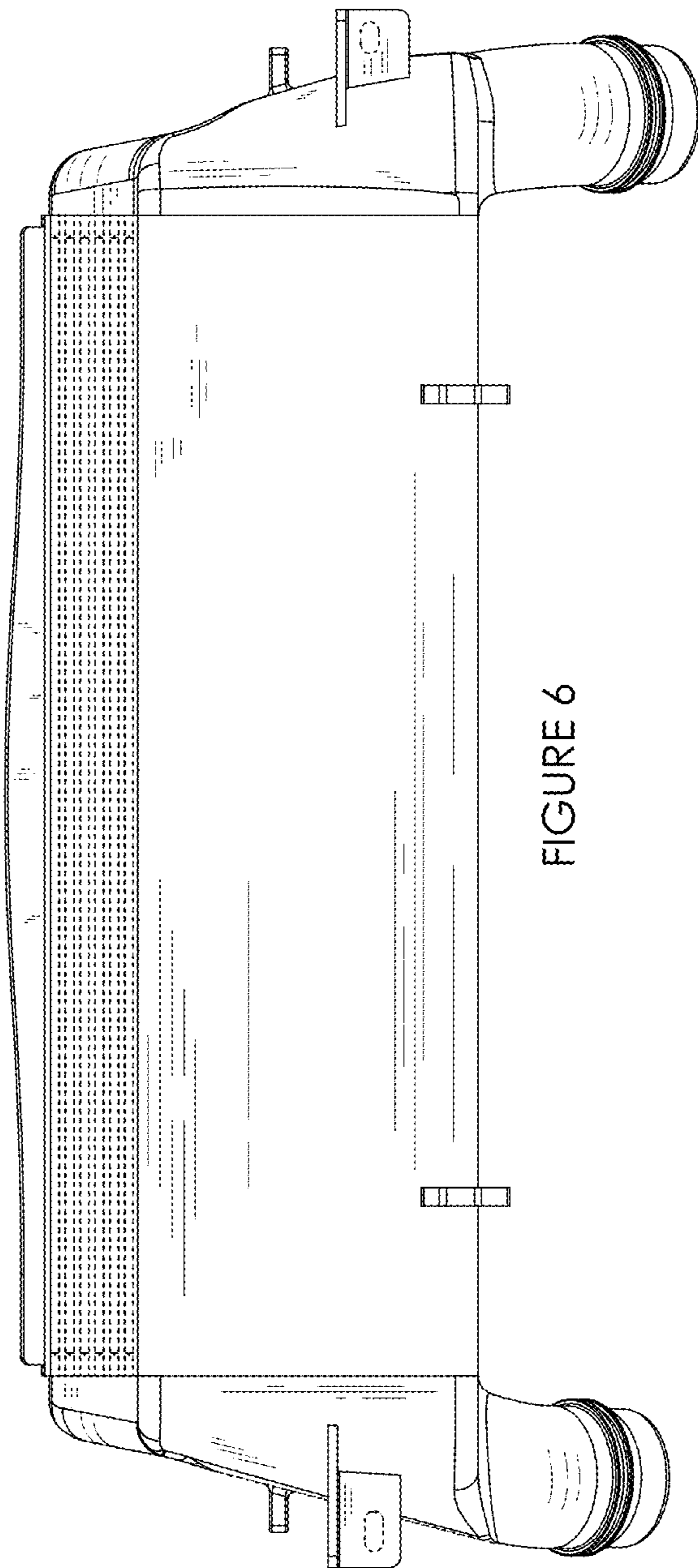


FIGURE 6



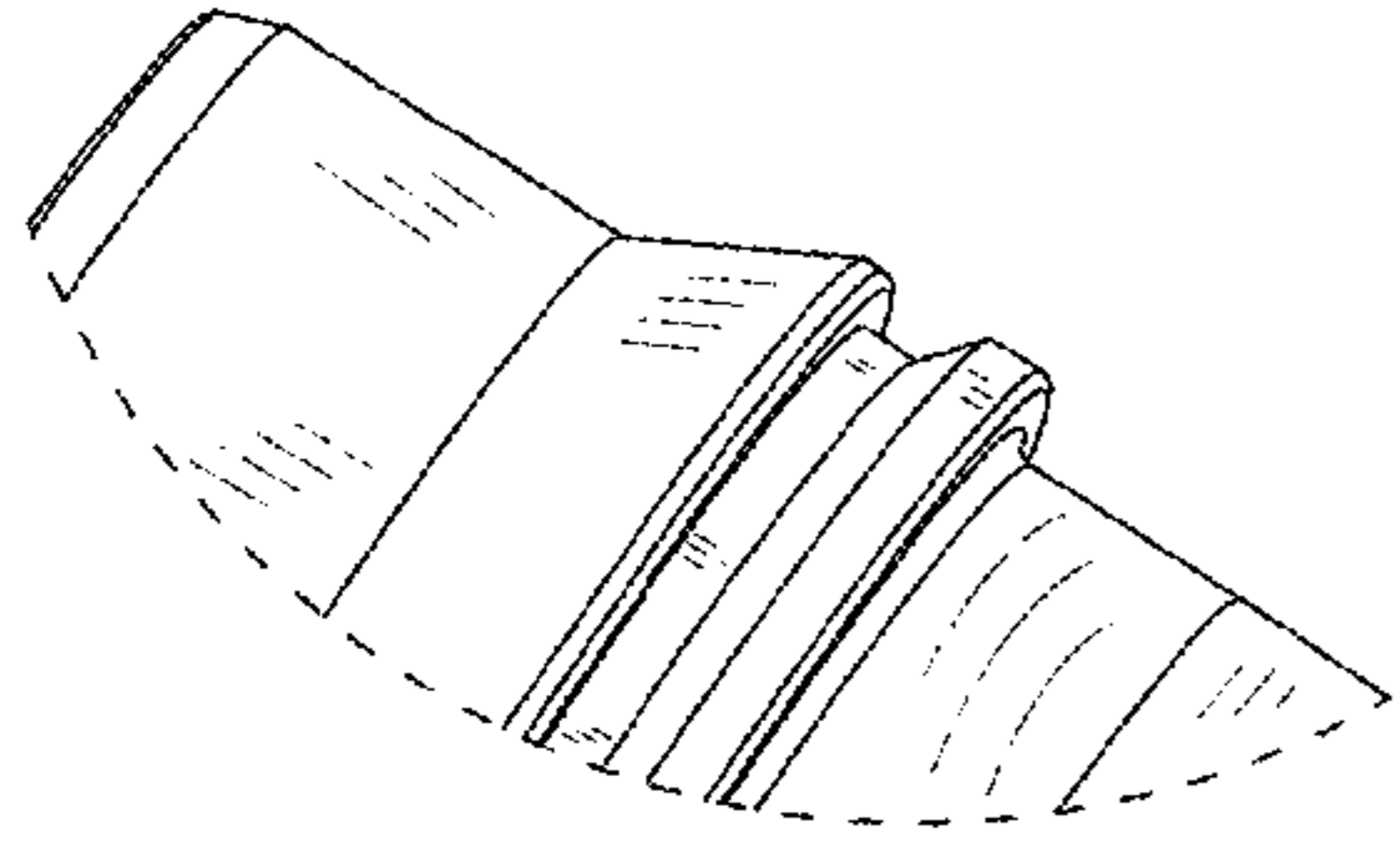


FIGURE 8

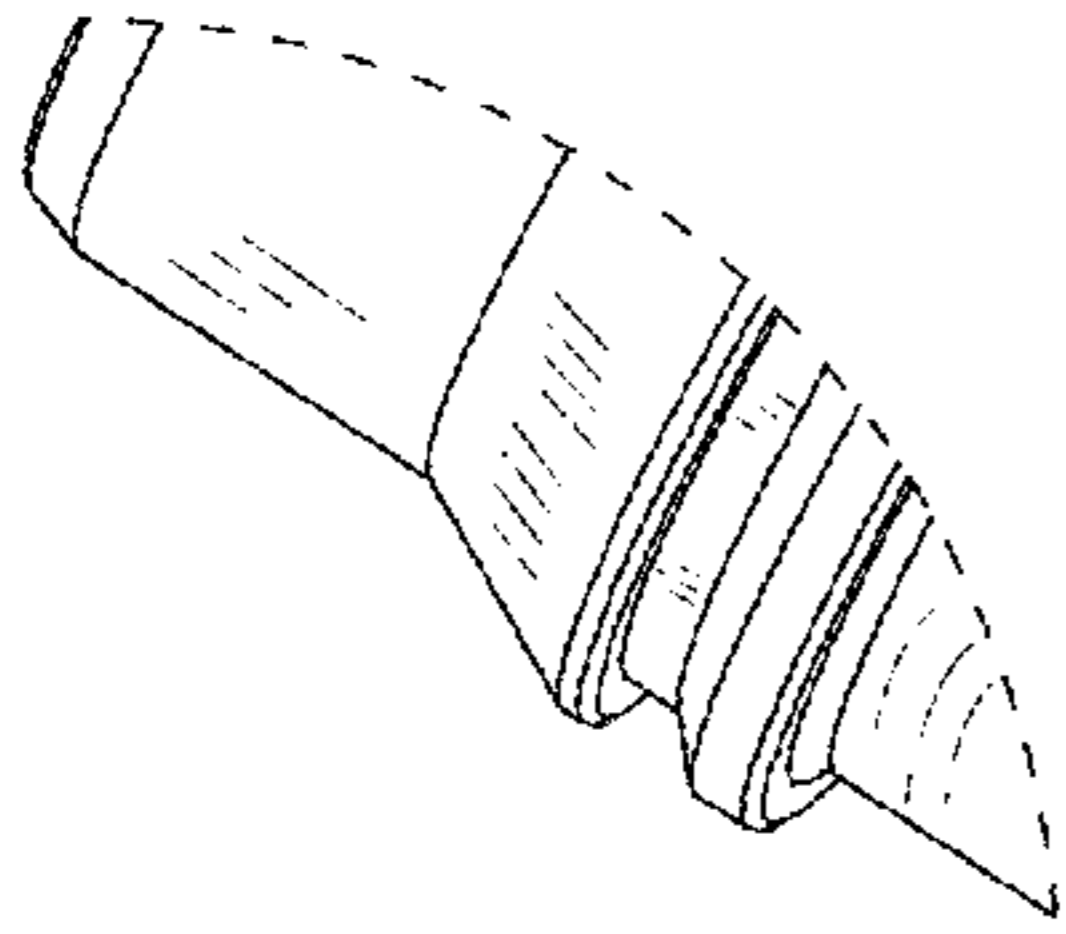


FIGURE 9

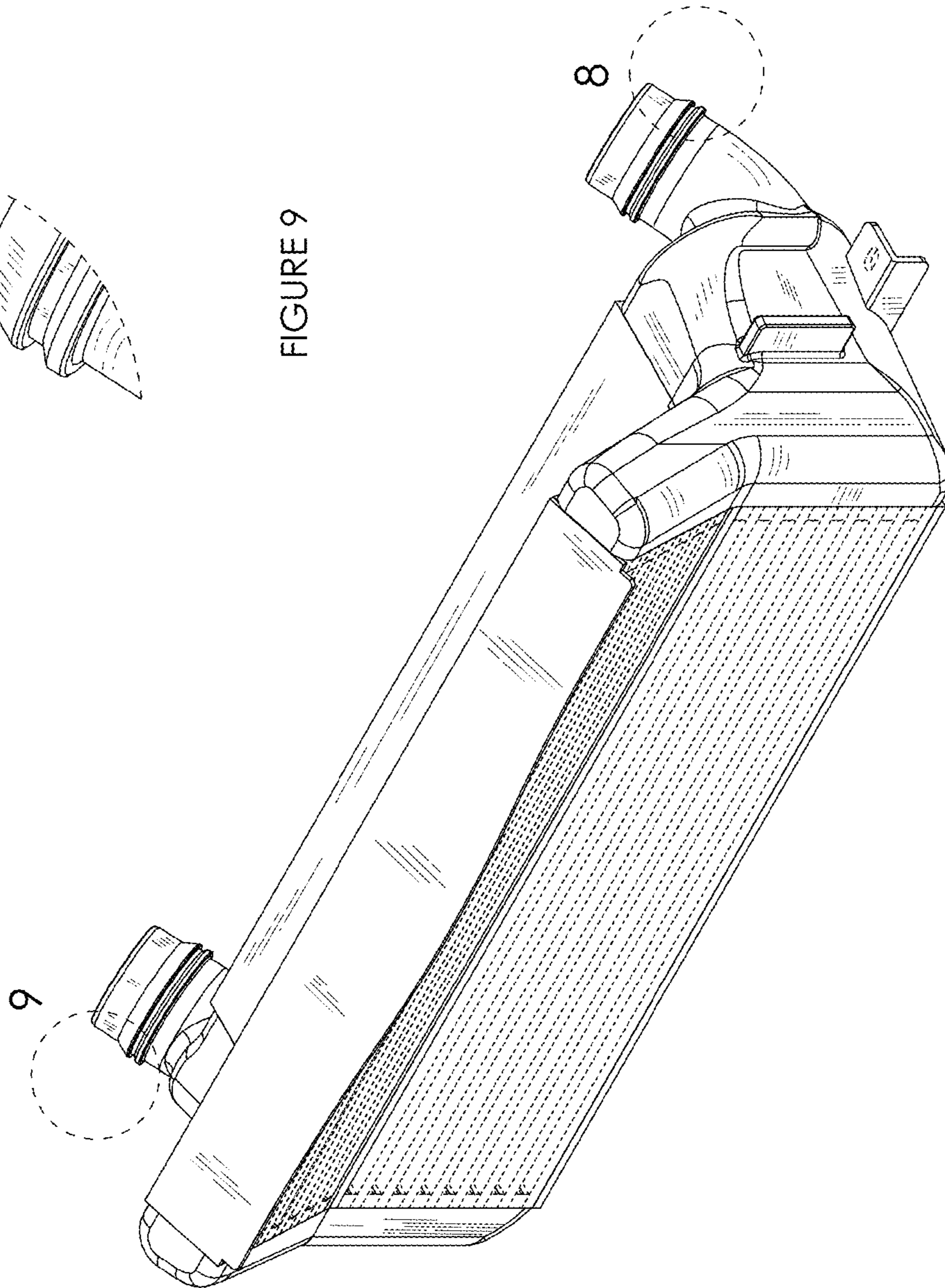


FIGURE 7