



US00D931336S

(12) **United States Design Patent** (10) **Patent No.:** **US D931,336 S**
Tafe (45) **Date of Patent:** **** Sep. 21, 2021**

(54) **INTERCOOLER FOR AUTOMOTIVE APPLICATIONS**

(71) Applicant: **RESOURCE INTERNATIONAL INC.**, New Castle, DE (US)

(72) Inventor: **Dan Tafe**, Newark, DE (US)

(73) Assignee: **RESOURCE INTERNATIONAL INC.**, New Castle, DE (US)

(**) Term: **15 Years**

(21) Appl. No.: **29/663,100**

(22) Filed: **Sep. 12, 2018**

(51) **LOC (13) Cl.** **15-01**

(52) **U.S. Cl.**
USPC **D15/5**

(58) **Field of Classification Search**
USPC D15/1-5; D23/323
CPC F02B 29/0425; F02B 29/0412; F02B 29/0437; F02B 29/0443; F02B 29/045; F02B 29/0406; F02B 29/0431; F28D 7/0066; F28D 1/0408; F28D 7/1653; F28F 1/04; F28F 1/12; F28F 9/02; F28F 21/02; B60H 1/14; B60H 1/3211; B60H 1/00271; B60H 1/3205; B60H 1/00342; F01P 11/08; B21D 53/08; F02M 26/27; F02M 26/31; F02M 35/10268

See application file for complete search history.

(56) **References Cited**

U.S. PATENT DOCUMENTS

D534,185 S * 12/2006 Chan D15/5
D637,207 S * 5/2011 Alberti D15/5
9,482,146 B1 * 11/2016 Ray F02B 37/12
D808,436 S * 1/2018 Hamburger D15/5
D811,438 S * 2/2018 Hamburger D15/5
9,890,692 B1 * 2/2018 Turnage F02B 29/045
10,436,083 B1 * 10/2019 Au F01M 11/03

2002/0023734 A1 * 2/2002 Wagner F28D 1/05366
165/81
2008/0121384 A1 * 5/2008 Tseng F28D 1/05375
165/149
2010/0032149 A1 * 2/2010 Roll F28D 1/05366
165/175
2013/0146267 A1 * 6/2013 Garret F28D 7/1684
165/175
2016/0237961 A1 * 8/2016 Callaway, III ... F02M 35/10157
2017/0122186 A1 * 5/2017 Park F02B 29/0406
(Continued)

FOREIGN PATENT DOCUMENTS

DE 102009036740 A1 * 2/2011 F02B 29/0456
DE 102010012028 A1 * 9/2011 F02B 29/0437
(Continued)

Primary Examiner — Ania Aman

(74) *Attorney, Agent, or Firm* — Condo Roccia Koptiw LLP

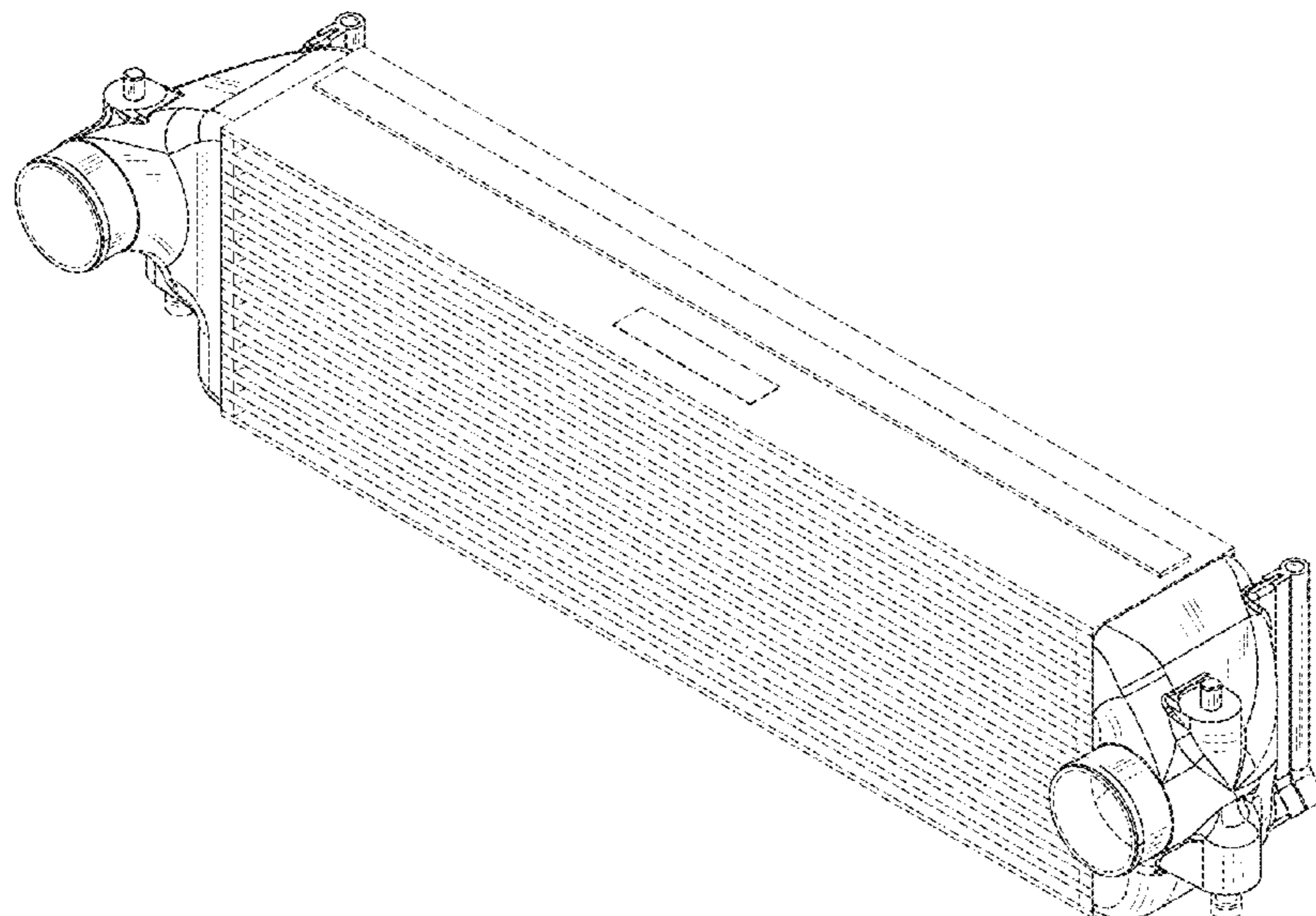
(57) **CLAIM**

The ornamental design for an intercooler for automotive applications, as shown and described.

DESCRIPTION

FIG. 1 is a front view of an intercooler for automotive applications showing our new design;
FIG. 2 is a back view thereof;
FIG. 3 is a left view thereof;
FIG. 4 is a right view thereof;
FIG. 5 is a top view thereof;
FIG. 6 is bottom view thereof;
FIG. 7 is a front perspective view thereof; and,
FIG. 8 is a back perspective view thereof.
The broken lines in the drawing figures show portions of the intercooler for automotive applications which form no part of the claimed design.
The shade lines in the figures show contour and not surface ornamentation.

1 Claim, 8 Drawing Sheets



(56)

References Cited

U.S. PATENT DOCUMENTS

2019/0078501 A1* 3/2019 Lee F02B 29/0443
2019/0292979 A1* 9/2019 Hlavac F28F 1/04
2020/0318916 A1* 10/2020 Panic F28D 7/16
2020/0347774 A1* 11/2020 Barrios F02B 29/0418

FOREIGN PATENT DOCUMENTS

DE 102011080204 A1 * 2/2013 F02B 29/04
JP 2014109409 A * 6/2014

* cited by examiner

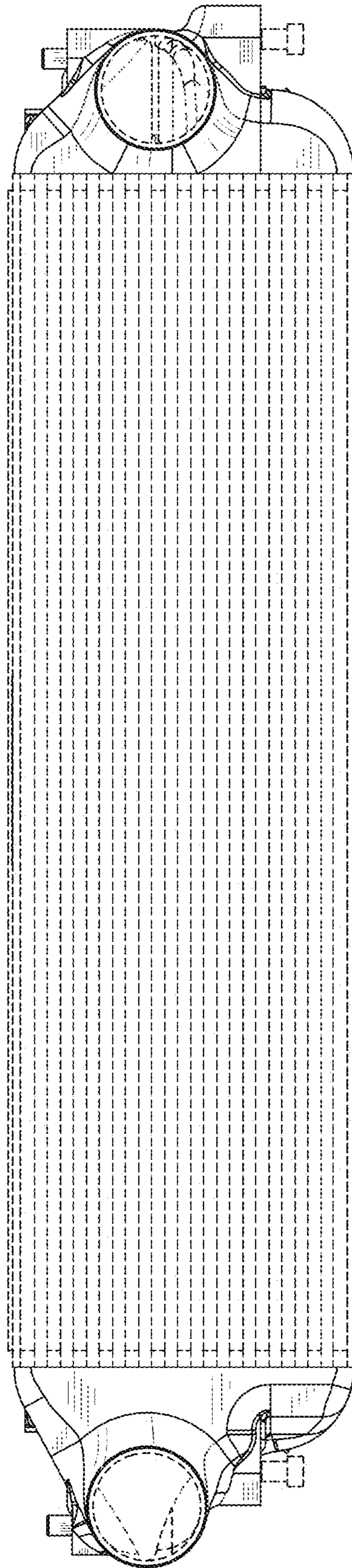


FIGURE 1

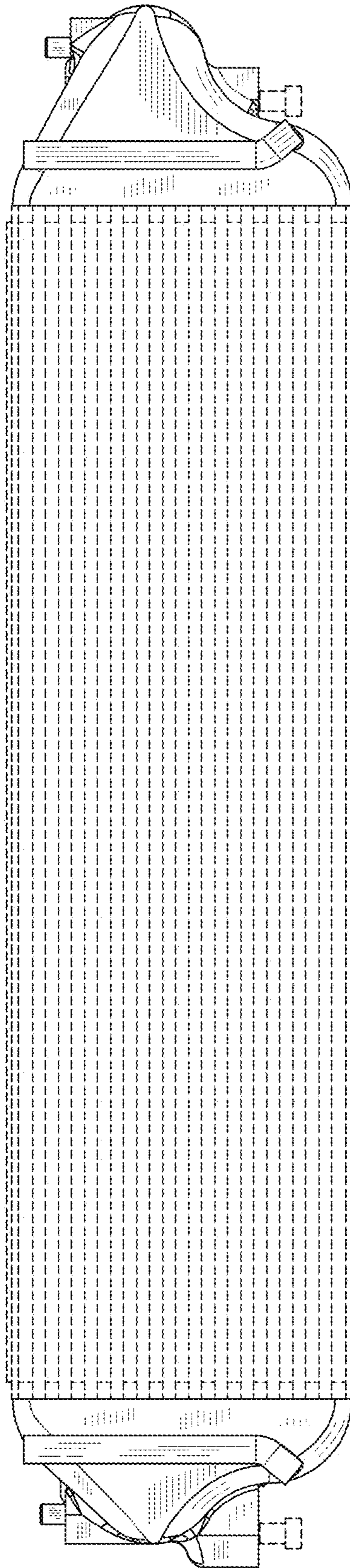


FIGURE 2

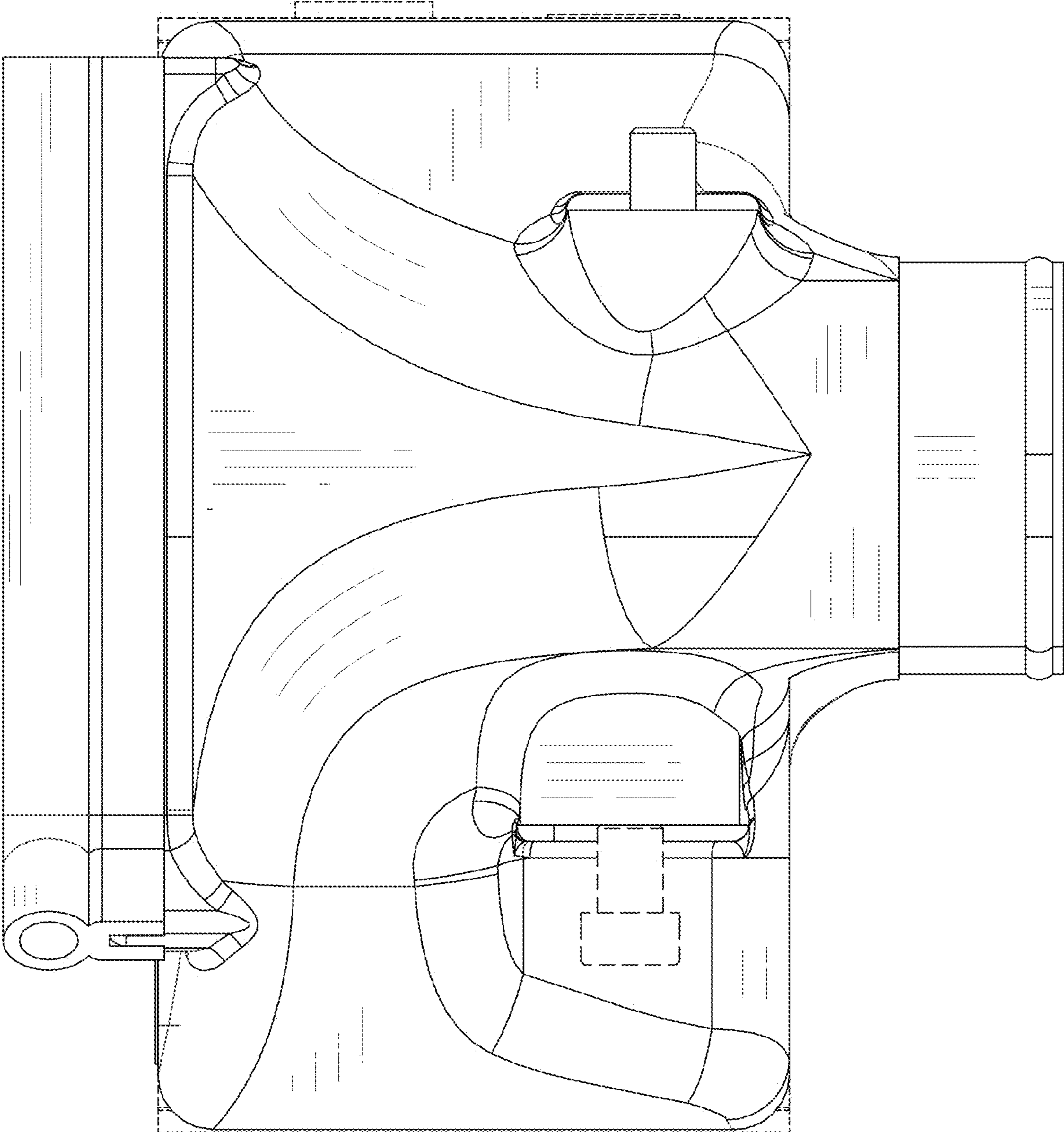


FIGURE 3

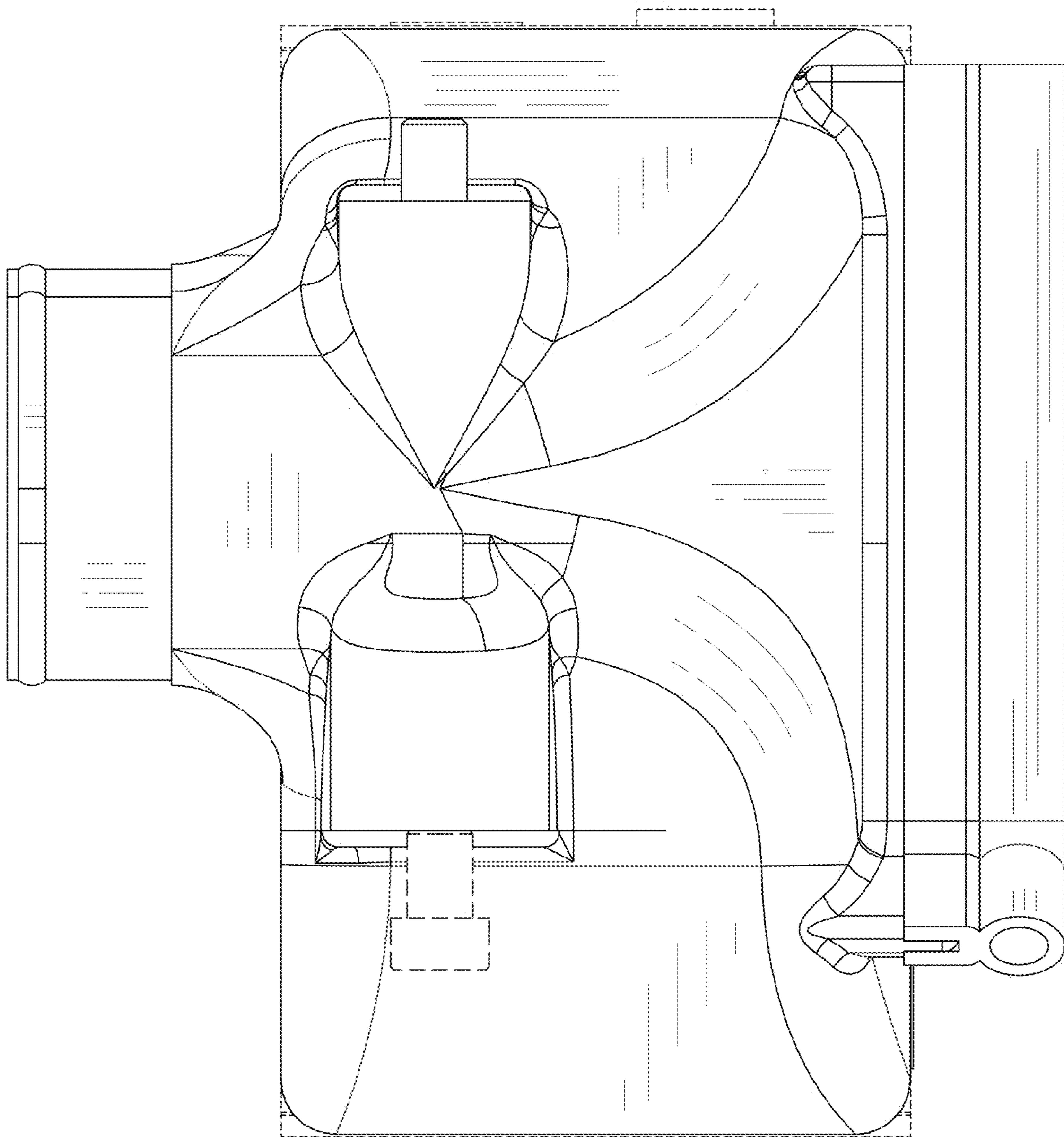


FIGURE 4

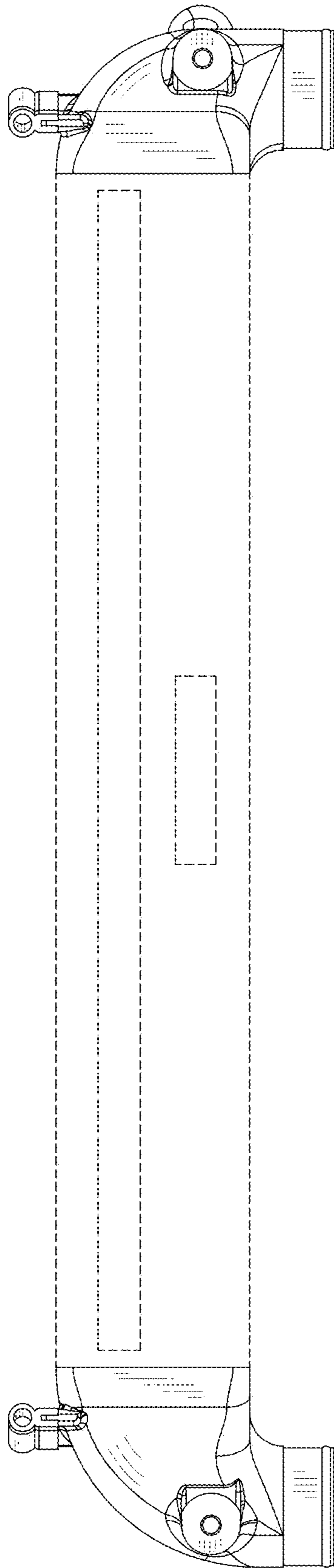


FIGURE 5

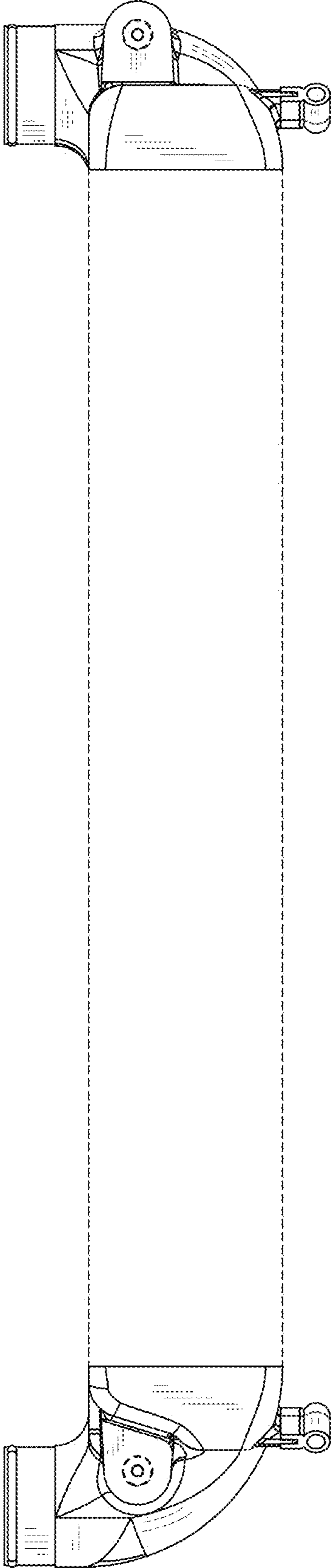


FIGURE 6

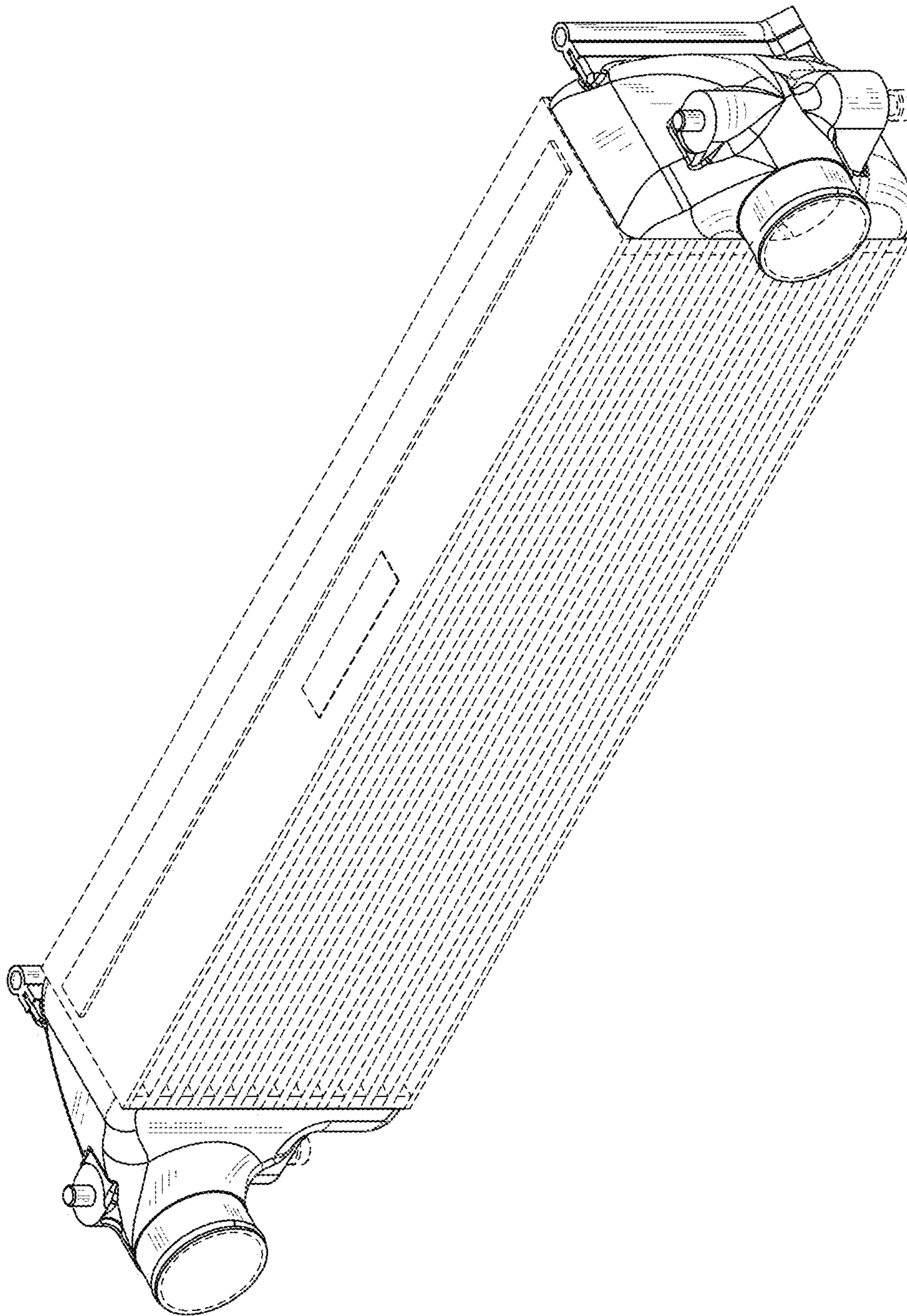


FIGURE 7

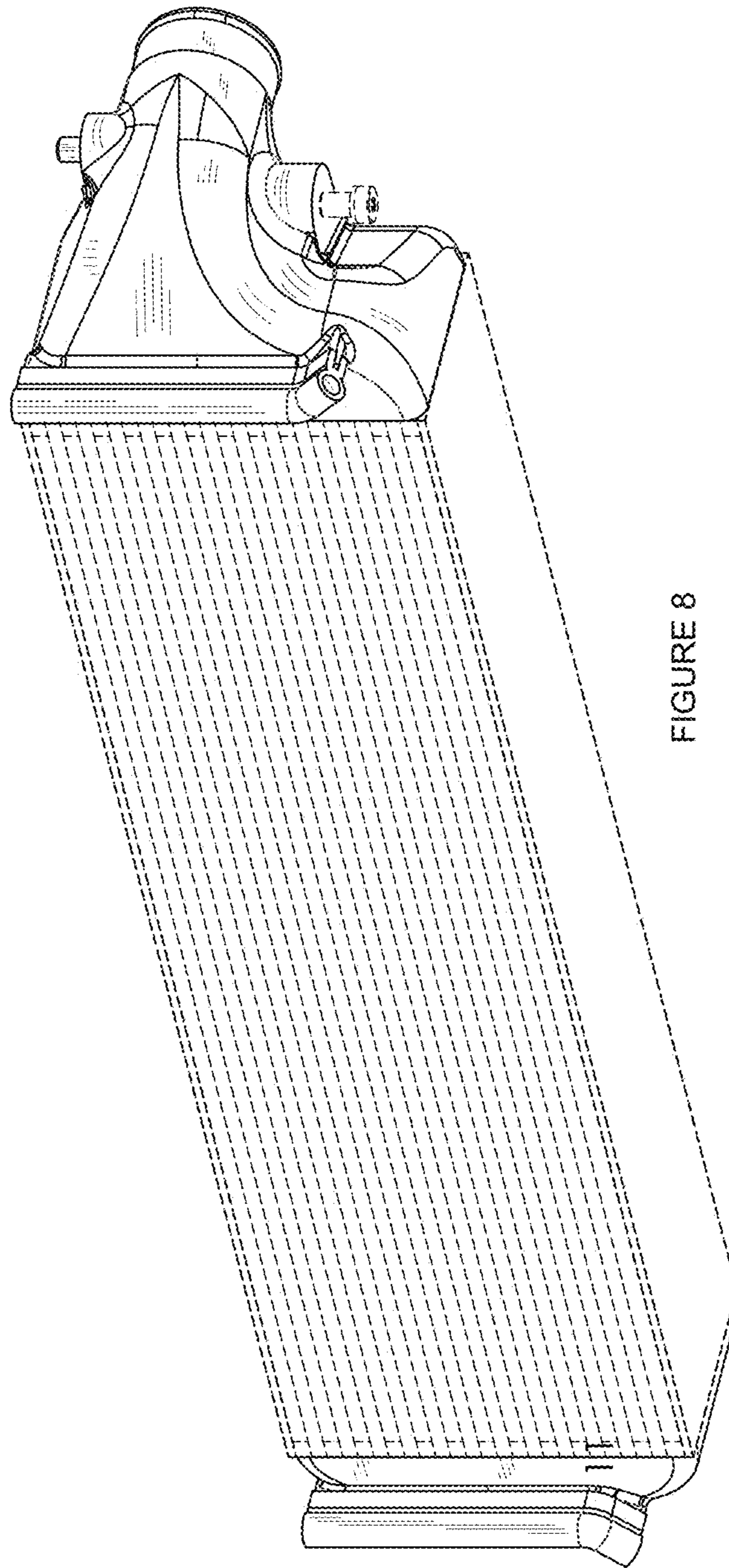


FIGURE 8