

US00D931335S

(12) **United States Design Patent** (10) **Patent No.:** **US D931,335 S**
Katz et al. (45) **Date of Patent:** **** Sep. 21, 2021**

(54) **DISPLAY SCREEN OR PORTION THEREOF WITH ICON**

(71) Applicant: **Biosense Webster (Israel) Ltd.,**
Yokneam (IL)
(72) Inventors: **Natan Sharon Katz, Atlit (IL);**
Amiram Sheiner, Zichron Yaakov (IL);
Oshrat Ben Zaken, Shimshit (IL); Ben
Ami Novogrodsky, Haifa (IL)

(73) Assignee: **Biosense Webster (Israel) Ltd.,**
Yokneam (IL)

(**) Term: **15 Years**

(21) Appl. No.: **29/730,381**

(22) Filed: **Apr. 3, 2020**

Related U.S. Application Data

(62) Division of application No. 29/609,897, filed on Jul. 6, 2017, now Pat. No. Des. 882,633.

(51) **LOC (13) Cl.** **14-04**

(52) **U.S. Cl.**
USPC **D14/494**

(58) **Field of Classification Search**
USPC D14/485–495
CPC G06F 3/048; G06F 3/0481; G06F 3/04812;
G06F 3/04815; G06F 3/04817; G06F
3/0482; G06F 3/0483; G06F 3/0484;
H04N 1/00424

See application file for complete search history.

(56) **References Cited**

U.S. PATENT DOCUMENTS

D600,705 S * 9/2009 LaManna D14/492
D619,614 S * 7/2010 O’Mullan D14/489
D684,185 S * 6/2013 van Dongen D14/489
D706,814 S * 6/2014 Phelan D14/489
D736,253 S * 8/2015 Yu D14/489

D754,747 S * 4/2016 Jou D14/495
D755,245 S * 5/2016 Kim D14/492
D758,448 S * 6/2016 Kim D14/495
D759,724 S * 6/2016 Kim D14/495
D760,795 S * 7/2016 Barajas D14/495
D761,307 S * 7/2016 Woo D14/489
D763,302 S * 8/2016 Murillo D14/488
D763,315 S * 8/2016 Nishiyama D14/492
D764,521 S * 8/2016 Murillo D14/488
D764,530 S * 8/2016 Murillo D14/488
D764,531 S * 8/2016 Murillo D14/488
D765,131 S * 8/2016 Murillo D14/488
D765,719 S * 9/2016 Murillo D14/488
D793,451 S * 8/2017 Kang D14/492
D799,548 S * 10/2017 Faulkner D14/495
D801,385 S * 10/2017 Bradley D14/489
D815,667 S * 4/2018 Yeung D14/495
D844,664 S * 4/2019 Espeleta D14/492

(Continued)

OTHER PUBLICATIONS

Chereliss, “Vector Unicorn eyelashes” Mar. 21, 2018 <https://www.istockphoto.com/vector/vector-unicorn-eyelashes-cartoon-animal-eyes-closed-woman-eyes-icon-set-gm935415996-255973778>.*

Primary Examiner — Bao-Yen T Nguyen

(74) *Attorney, Agent, or Firm* — Volpe Koenig

(57) **CLAIM**

The ornamental design for a display screen or portion thereof with icon, as shown and described.

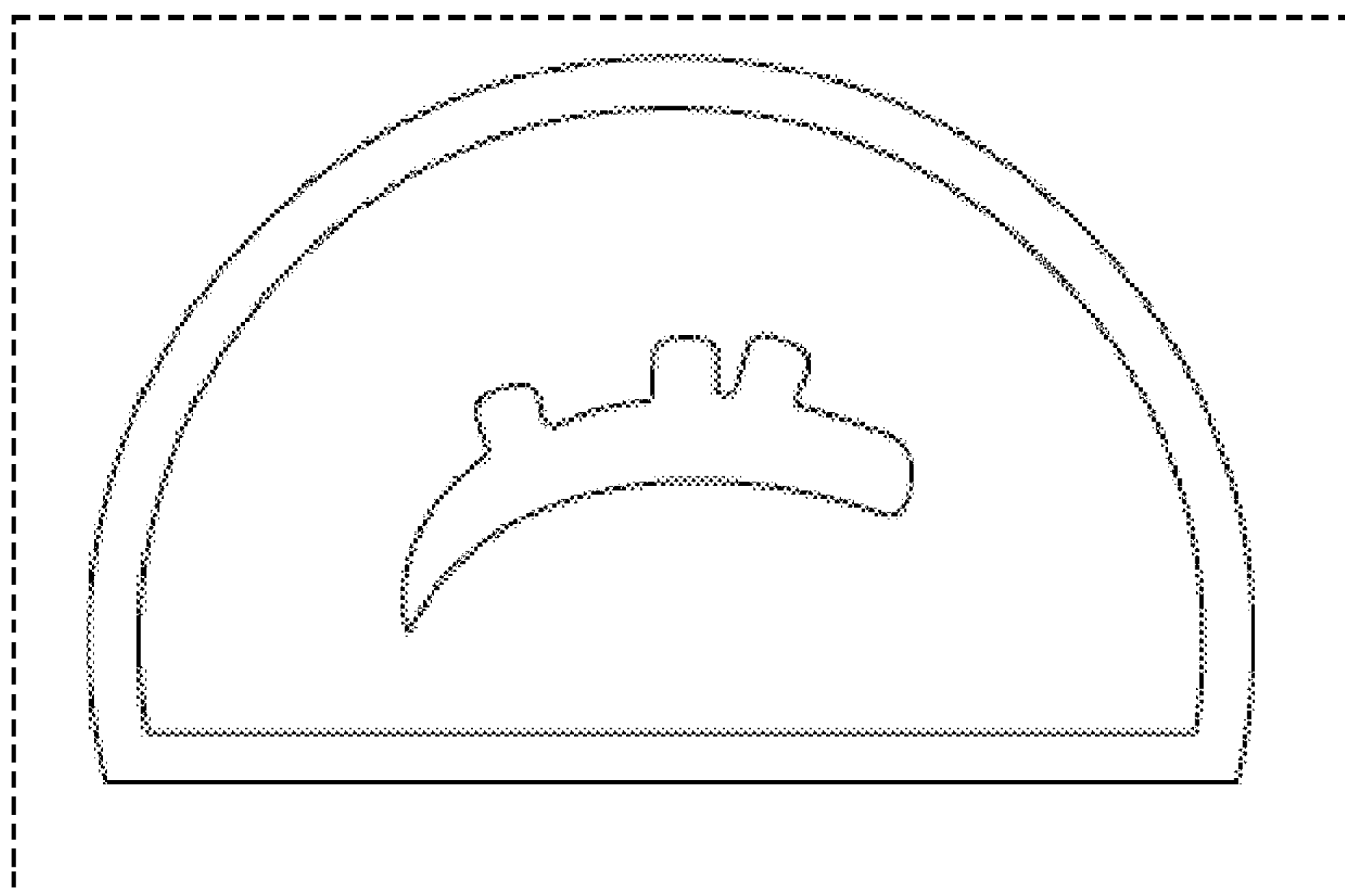
DESCRIPTION

FIG. 1 is a front view of a first embodiment of a display screen or portion thereof with icon in accordance with our new design; and,

FIG. 2 is a front view of a second embodiment of a display screen or portion thereof with icon in accordance with our new design.

The broken lines illustrate the display screen or portion thereof and form no part of the claimed design.

1 Claim, 2 Drawing Sheets



(56)

References Cited

U.S. PATENT DOCUMENTS

D848,483	S	*	5/2019	Itano	D14/495
D859,455	S	*	9/2019	Boyer	D14/487
2006/0262139	A1		11/2006	Rahn	
2009/0221907	A1		9/2009	Bar-tal	
2011/0054560	A1		3/2011	Rosenberg et al.	
2011/0144524	A1		6/2011	Fish et al.	
2013/0096575	A1		4/2013	Olson	
2013/0239063	A1	*	9/2013	Ubillos	H04L 51/24 715/838
2015/0039176	A1	*	2/2015	Fish	G07C 5/008 701/31.6

* cited by examiner

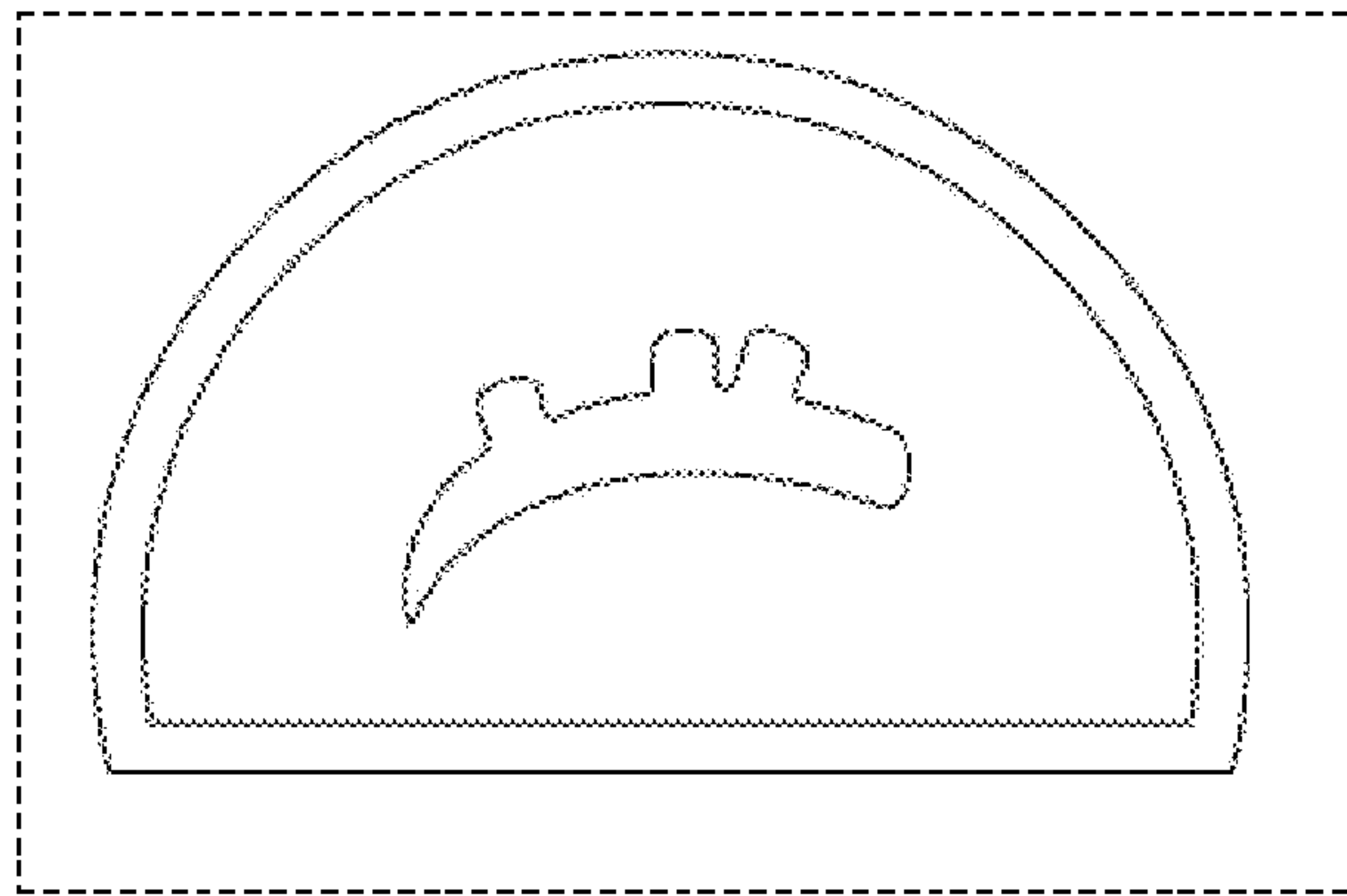


FIG. 1

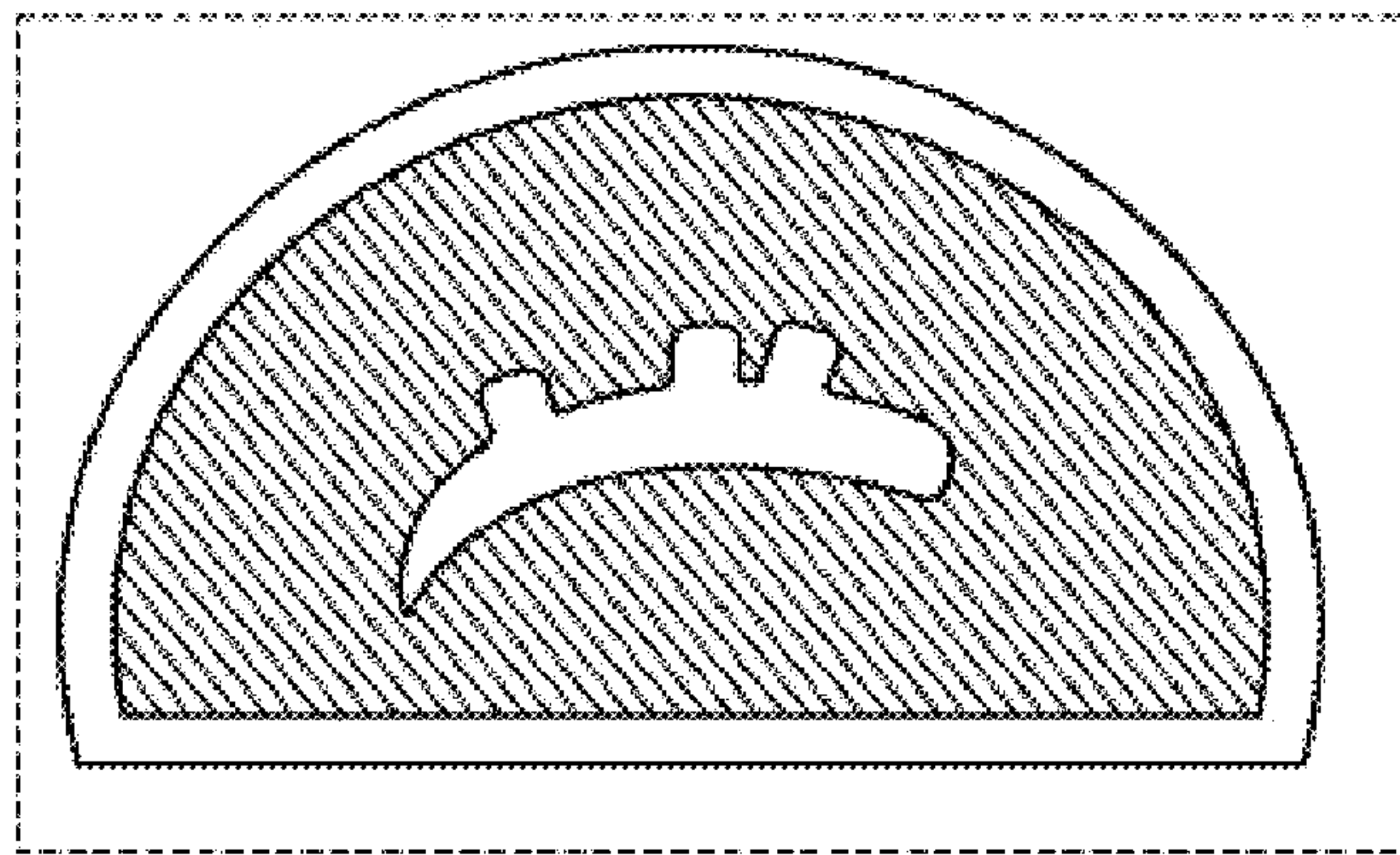


FIG. 2