



US00D931306S

(12) **United States Design Patent** (10) **Patent No.:** **US D931,306 S**  
**Farnan et al.** (45) **Date of Patent:** **\*\* \*Sep. 21, 2021**

(54) **DISPLAY SCREEN OR PORTION THEREOF WITH GRAPHICAL USER INTERFACE**

(71) Applicant: **Tandem Diabetes Care, Inc.**, San Diego, CA (US)

(72) Inventors: **Jason Farnan**, San Diego, CA (US); **Shaun Buchanan**, Hampstead, NC (US); **Zion Greenlee**, San Diego, CA (US)

(73) Assignee: **Tandem Diabetes Care, Inc.**, San Diego, CA (US)

(\* ) Notice: This patent is subject to a terminal disclaimer.

(\*\*) Term: **15 Years**

(21) Appl. No.: **29/721,326**

(22) Filed: **Jan. 20, 2020**

(51) **LOC (13) Cl.** ..... **14-04**

(52) **U.S. Cl.**  
USPC ..... **D14/485**

(58) **Field of Classification Search**  
USPC ..... D14/485-495; D20/11; D21/324, 325  
CPC .... G06F 3/048; G06F 3/0481; G06F 3/04817; G06F 3/0482; G06F 3/0483; G06F 3/04842; G06F 3/0485; G06F 3/04855; G06F 3/0486; G06F 3/0488; G06F 3/04886; G06F 9/4443; G06F 17/211; G06F 17/212; A61B 5/00; A61B 5/145; A61B 5/7275; A61M 5/14248; G16H 15/00; G16H 40/63; G05B 19/042; H04L 41/0816

See application file for complete search history.

(56) **References Cited**

U.S. PATENT DOCUMENTS

- 4,443,218 A 4/1984 DeCant, Jr. et al.
- 4,634,426 A 1/1987 Kamen
- 5,148,154 A 9/1992 Mackay et al.

- 5,224,492 A 7/1993 Takahashi et al.
- 5,254,096 A 10/1993 Rondelet et al.
- 5,295,967 A 3/1994 Rondelet et al.
- 5,339,393 A 8/1994 Duffy et al.
- 5,438,510 A 8/1995 Bryant et al.
- 5,681,285 A 10/1997 Ford et al.
- 5,839,356 A 11/1998 Dornbush et al.

(Continued)

FOREIGN PATENT DOCUMENTS

WO WO-2004093648 A2 11/2004

OTHER PUBLICATIONS

Application and File History for U.S. Appl. No. 29/651,518, filed Aug. 18, 2018, Inventors Farnan et al.

(Continued)

*Primary Examiner* — John M Otte

(74) *Attorney, Agent, or Firm* — Patterson Thuent Pedersen, P.A.

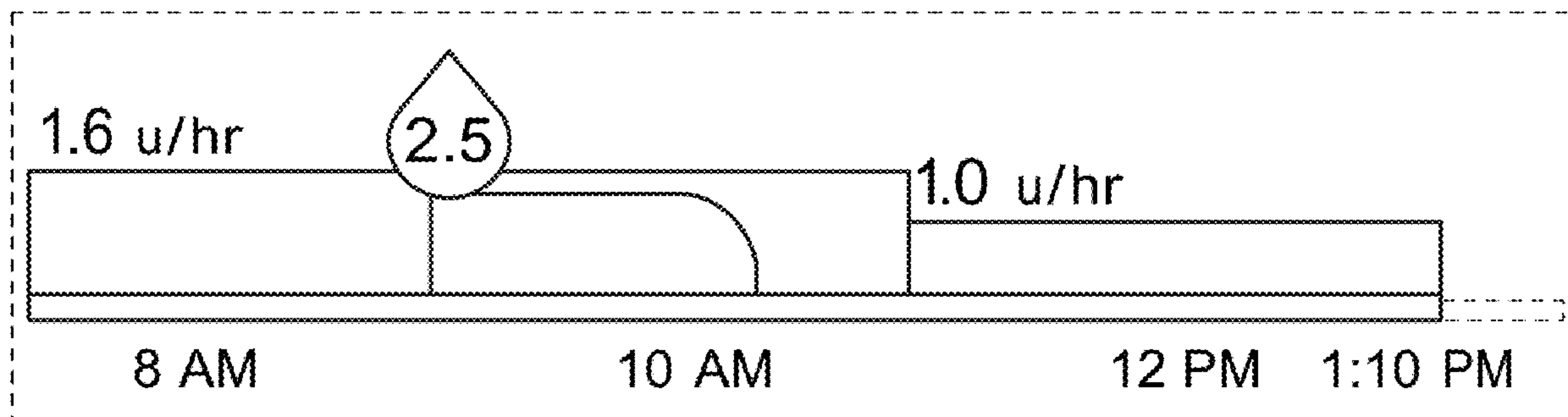
(57) **CLAIM**

We claim the ornamental design for a display screen or portion thereof with graphical user interface, as shown and described.

**DESCRIPTION**

FIG. 1 is a front view of a display screen or portion thereof with graphical user interface; and, FIG. 2 is a front view of a portion thereof, showing the solid-line subject matter isolated for clarity of disclosure. The outermost dashed-line rectangle in FIG. 1 illustrates the perimeter of a display screen or portion thereof and forms not part of the claimed design. The remaining dashed broken lines in FIG. 1 illustrate portions of the graphical user interface and form no part of the claimed design. The outermost dashed-line rectangle in FIG. 2 illustrates the perimeter of a portion of the display screen of FIG. 1 that is shown isolated from surrounding subject matter, and forms no part of the claimed design.

**1 Claim, 2 Drawing Sheets**



(56)

References Cited

U.S. PATENT DOCUMENTS

6,040,834 A	3/2000	Jain et al.	D771,086 S	11/2016	Kim et al.
6,225,999 B1	5/2001	Jain et al.	D771,650 S	11/2016	Yang
6,229,584 B1	5/2001	Chuo et al.	D771,690 S	11/2016	Yin et al.
6,269,340 B1	7/2001	Ford et al.	D773,534 S	12/2016	Yuk et al.
6,289,248 B1	9/2001	Conley et al.	D774,078 S	12/2016	Kisselev et al.
D454,574 S	3/2002	Wasko et al.	D775,184 S	12/2016	Song et al.
D469,107 S *	1/2003	Miller ..... D14/488	D784,401 S	4/2017	Joi
D470,858 S *	2/2003	Flamini ..... D14/488	D789,417 S	6/2017	Yamasaki et al.
6,540,996 B1	4/2003	Zwaal et al.	D789,968 S	6/2017	Mensingher et al.
6,577,323 B1	6/2003	Jamieson et al.	9,715,327 B2	7/2017	Rosinko et al.
6,641,533 B2	11/2003	Causey, III et al.	D794,650 S	8/2017	Lee et al.
6,710,051 B1	3/2004	Trier	D798,895 S	10/2017	Kim et al.
6,771,250 B1	8/2004	Oh	D808,990 S	1/2018	Ayvazian et al.
6,810,290 B2	10/2004	Lebel et al.	D808,998 S	1/2018	Wu et al.
D499,739 S	12/2004	Mansour et al.	D809,531 S	2/2018	Ayvazian et al.
6,997,905 B2	2/2006	Gillespie, Jr. et al.	9,942,091 B2	4/2018	Harvey et al.
7,033,539 B2	4/2006	Krensky et al.	9,974,903 B1	5/2018	Davis et al.
D521,521 S	5/2006	Jewitt et al.	D819,660 S *	6/2018	Cabrera, Jr. .... D14/485
D531,637 S	11/2006	Chotai et al.	D820,283 S	6/2018	Cabrera, Jr. et al.
7,247,428 B2	7/2007	Makrigiorgos	D820,302 S	6/2018	Choi et al.
D557,272 S	12/2007	Glaser et al.	D822,695 S	7/2018	Iketsuki et al.
7,344,500 B2	3/2008	Talbot et al.	10,035,065 B2	7/2018	Schupak et al.
7,350,190 B2	3/2008	Torres et al.	D826,239 S *	8/2018	Duriseti ..... D14/485
7,410,475 B2	8/2008	Krensky et al.	D827,659 S *	9/2018	Warren ..... D14/485
7,464,010 B2	12/2008	Yang et al.	D831,049 S	10/2018	Agarwal et al.
D611,489 S *	3/2010	Bell ..... D14/486	D834,594 S	11/2018	Anzures et al.
7,727,148 B2	6/2010	Talbot et al.	D835,124 S	12/2018	Vanduyndt et al.
7,861,184 B2	12/2010	Kim et al.	D836,131 S	12/2018	Apodaca et al.
7,877,703 B1	1/2011	Fleming	D841,660 S *	2/2019	Mercado ..... D14/485
7,945,452 B2	5/2011	Fathallah et al.	D844,643 S	4/2019	Cabrera, Jr. et al.
7,988,850 B2	8/2011	Roncadi et al.	D847,169 S	4/2019	Sombreiro et al.
8,078,983 B2	12/2011	Davis et al.	D849,036 S	5/2019	Fuller et al.
8,114,066 B2	2/2012	Naef et al.	D850,483 S *	6/2019	Alvarez ..... D14/487
8,121,689 B2	2/2012	Kalgren et al.	D851,112 S	6/2019	Papolu et al.
8,133,197 B2	3/2012	Blomquist et al.	D852,809 S	7/2019	Rad et al.
D660,317 S	5/2012	Jesberger	D852,811 S	7/2019	Babion
D664,982 S	8/2012	Rai et al.	D854,033 S	7/2019	Polly et al.
D665,407 S	8/2012	Bitran et al.	D858,535 S	9/2019	Evans et al.
8,237,715 B2	8/2012	Buck et al.	D859,461 S *	9/2019	Madison ..... D14/488
8,250,483 B2	8/2012	Blomquist	D861,708 S	10/2019	Gibson et al.
D667,022 S	9/2012	LoBosco et al.	D864,217 S	10/2019	Farnan et al.
8,287,495 B2 *	10/2012	Michaud ..... A61M 5/14248 604/151	D864,218 S	10/2019	Farnan et al.
8,310,415 B2	11/2012	McLaughlin et al.	D864,219 S	10/2019	Farnan et al.
8,317,752 B2	11/2012	Cozmi et al.	10,434,253 B2	10/2019	DiPerna et al.
8,337,469 B2	12/2012	Eberhart et al.	D865,778 S	11/2019	Kim et al.
8,395,581 B2	3/2013	Graskov et al.	D869,478 S	12/2019	Choi et al.
D691,632 S	10/2013	Impas	D871,431 S *	12/2019	Cullum ..... D14/486
D694,253 S	11/2013	Helm	D872,734 S *	1/2020	Pillalamarri ..... D14/485
D707,245 S *	6/2014	Bruck ..... D14/486	D875,762 S	2/2020	Evans et al.
D707,705 S	6/2014	Folken et al.	D875,765 S	2/2020	Farnan et al.
D712,920 S	9/2014	Sloo et al.	D875,766 S	2/2020	Farnan et al.
D715,315 S	10/2014	Wood	D875,767 S	2/2020	Farnan et al.
D727,337 S	4/2015	Kim et al.	D880,496 S	4/2020	Farnan et al.
D731,529 S	6/2015	Cavander et al.	D882,622 S	4/2020	Farnan et al.
D733,169 S *	6/2015	Jeong ..... D14/486	D892,841 S	8/2020	Gao et al.
D739,872 S	9/2015	Bang et al.	D893,508 S	8/2020	Laska et al.
D745,020 S	12/2015	Mariet et al.	D894,918 S *	9/2020	Hopper ..... D14/486
D746,849 S	1/2016	Anzures et al.	D898,049 S	10/2020	Protzman et al.
9,238,100 B2	1/2016	Kruse et al.	D900,863 S	11/2020	Clingerman
D748,644 S	2/2016	Huang	D902,948 S	11/2020	Fuller et al.
D749,117 S	2/2016	Huang	D907,659 S *	1/2021	Everette ..... D14/488
D754,181 S	4/2016	Dong et al.	D910,063 S *	2/2021	Brooks ..... D14/488
D754,690 S	4/2016	Park et al.	D918,227 S *	5/2021	Farnan ..... D14/485
D754,710 S	4/2016	Dong et al.	2001/0027791 A1	10/2001	Wallace et al.
D755,223 S	5/2016	Liu et al.	2002/0033840 A1	3/2002	Masthoff et al.
D757,032 S	5/2016	Sabia et al.	2002/0077852 A1	6/2002	Ford et al.
D757,791 S	5/2016	Van Os	2003/0060765 A1	3/2003	Campbell et al.
9,335,910 B2	5/2016	Farnan et al.	2003/0163789 A1	8/2003	Blomquist
D759,687 S	6/2016	Chang et al.	2004/0122353 A1	6/2004	Shahmirian et al.
D761,843 S	7/2016	Kim	2004/0180810 A1	9/2004	Pilarski
D763,267 S	8/2016	Brunner et al.	2005/0022274 A1	1/2005	Campbell et al.
D765,099 S	8/2016	Kim et al.	2005/0182831 A1	8/2005	Uchida et al.
D767,605 S	9/2016	Mensingher et al.	2005/0183037 A1	8/2005	Kuenzner
D770,519 S	11/2016	Kobetz et al.	2006/0073891 A1	4/2006	Holt
			2006/0229557 A1	10/2006	Fathallah et al.
			2007/0033074 A1	2/2007	Nitzan et al.
			2007/0112298 A1	5/2007	Mueller, Jr. et al.
			2007/0118405 A1	5/2007	Campbell et al.
			2007/0245258 A1	10/2007	Ginggen et al.



(56)

References Cited

U.S. PATENT DOCUMENTS

2008/0059158 A1 3/2008 Matsuo et al.  
 2008/0113292 A1 5/2008 Matsuo  
 2008/0122796 A1 5/2008 Jobs et al.  
 2008/0148235 A1 6/2008 Foresti et al.  
 2008/0155415 A1 6/2008 Yoon et al.  
 2008/0171967 A1 7/2008 Blomquist et al.  
 2008/0172031 A1 7/2008 Blomquist  
 2008/0189614 A1 8/2008 Jeong et al.  
 2008/0200868 A1 8/2008 Alberti et al.  
 2008/0287922 A1 11/2008 Panduro  
 2008/0300572 A1 12/2008 Rankers et al.  
 2008/0312584 A1 12/2008 Montgomery et al.  
 2009/0006129 A1 1/2009 Thukral et al.  
 2009/0018495 A1 1/2009 Panduro  
 2009/0058598 A1 3/2009 Sanchez Sanchez et al.  
 2009/0113295 A1 4/2009 Halpern et al.  
 2009/0163855 A1 6/2009 Shin et al.  
 2009/0164239 A1 6/2009 Hayter et al.  
 2009/0167717 A1 7/2009 Wang et al.  
 2009/0177147 A1 7/2009 Blomquist et al.  
 2009/0177180 A1 7/2009 Rubalcaba, Jr. et al.  
 2009/0177991 A1 7/2009 Davis et al.  
 2009/0204341 A1 8/2009 Brauker et al.  
 2009/0212966 A1 8/2009 Panduro  
 2009/0221890 A1 9/2009 Saffer et al.  
 2009/0254037 A1 10/2009 Bryant, Jr. et al.  
 2009/0270833 A1 10/2009 DeBelsler et al.  
 2009/0275886 A1 11/2009 Blomquist et al.  
 2010/0010647 A1 1/2010 Schroeder et al.  
 2010/0011299 A1 1/2010 Brodersen et al.  
 2010/0069890 A1 3/2010 Graskov et al.  
 2010/0094110 A1 4/2010 Heller et al.  
 2010/0095229 A1 4/2010 Dixon et al.  
 2010/0100037 A1 4/2010 Cozmi et al.  
 2010/0105999 A1 4/2010 Dixon et al.  
 2010/0107103 A1 4/2010 Wallaert et al.  
 2010/0121170 A1 5/2010 Rule  
 2010/0174266 A1 7/2010 Estes  
 2010/0234707 A1 9/2010 Goode, Jr. et al.  
 2010/0253768 A1 10/2010 El-Maraghi et al.  
 2010/0261987 A1 10/2010 Kamath et al.  
 2010/0305421 A1 12/2010 Ow-Wing  
 2010/0317950 A1 12/2010 Galley et al.  
 2010/0323431 A1 12/2010 Rutkowski et al.  
 2011/0006876 A1 1/2011 Moberg et al.  
 2011/0009813 A1 1/2011 Rankers  
 2011/0056264 A1 3/2011 Kaplan et al.  
 2011/0112478 A1 5/2011 Gregor et al.  
 2011/0144569 A1 6/2011 Britton et al.  
 2011/0152770 A1 6/2011 DiPerna et al.  
 2011/0193704 A1 8/2011 Harper et al.  
 2011/0196213 A1 8/2011 Thukral et al.  
 2011/0201911 A1 8/2011 Johnson et al.  
 2011/0320130 A1 12/2011 Valdes et al.  
 2012/0013625 A1 1/2012 Blomquist et al.  
 2012/0013802 A1 1/2012 Blomquist et al.  
 2012/0084728 A1 4/2012 Huang et al.  
 2012/0173978 A1\* 7/2012 Lee ..... G16H 40/63  
 715/716  
 2012/0307126 A1 12/2012 Bhogal  
 2013/0151611 A1 6/2013 Graham et al.  
 2013/0162426 A1 6/2013 Wiesner et al.  
 2013/0283196 A1 10/2013 Farnan et al.  
 2013/0298024 A1 11/2013 Rhee et al.  
 2013/0332388 A1 12/2013 Martell et al.  
 2014/0187890 A1 7/2014 Mensinger et al.  
 2014/0200426 A1 7/2014 Taub et al.  
 2014/0206970 A1\* 7/2014 Wesley ..... G16H 15/00  
 600/365  
 2014/0276419 A1 9/2014 Rosinko et al.  
 2014/0374275 A1 12/2014 Morales et al.  
 2015/0045641 A1 2/2015 Rule  
 2015/0089369 A1 3/2015 Ahn  
 2015/0205930 A1 7/2015 Shaanan et al.  
 2015/0350861 A1 12/2015 Soli et al.

2015/0365587 A1 12/2015 Ha et al.  
 2016/0004390 A1 1/2016 Laska et al.  
 2016/0098848 A1 4/2016 Zamanakos et al.  
 2016/0103887 A1 4/2016 Fletcher et al.  
 2016/0113594 A1 4/2016 Koehler et al.  
 2016/0119210 A1 4/2016 Koehler et al.  
 2016/0199571 A1 7/2016 Rosinko et al.  
 2016/0328991 A1 11/2016 Simpson et al.  
 2017/0056590 A1 3/2017 DiPerna et al.  
 2017/0134878 A1 5/2017 Loychik et al.  
 2017/0214584 A1\* 7/2017 Kanojia ..... H04L 41/0816  
 2017/0351842 A1 12/2017 Booth et al.  
 2018/0021514 A1 1/2018 Rosinko  
 2018/0042558 A1\* 2/2018 Cabrera, Jr. .... A61B 5/7275  
 2018/0042559 A1 2/2018 Cabrera, Jr. et al.  
 2018/0137252 A1 5/2018 Mairs et al.  
 2018/0137938 A1 5/2018 Vaddiraju et al.  
 2018/0336208 A1 11/2018 Kim  
 2019/0022314 A1 1/2019 Schmidt et al.  
 2019/0121506 A1 4/2019 Matikyan  
 2019/0125969 A1 5/2019 Montgomery et al.  
 2019/0167902 A1 6/2019 Kamen et al.  
 2019/0183434 A1 6/2019 Sjolund et al.

OTHER PUBLICATIONS

Ballinger B., "Do You Really Need 10,000 Steps a Day?," May 30, 2016, retrieved from <https://blog.cardiogr.am/do-you-really-need-10-000-steps-a-day-ce1c006b5d0a>, on Jul. 18, 2019, 1 page.  
 Ceglys G., "Risk Assessment Report on Dribble," Aug. 17, 2018, retrieved from <https://dribbble.com/shots/4967551-Risk-Assessment-Report>, on Jul. 26, 2019, 2 pages.  
 "Croissant, Pretzel and Bread Icons," Apr. 27, 2017, retrieved from <https://www.shutterstock.com/image-vector/croissant-pretzel-bread-icons-cupcake-cake-397645378>, 2017, 2 pages.  
 Dexcom, "Continuous Glucose Monitoring," Jun. 20, 2018, retrieved from <https://www.dexcom.com/faq/app-g5-mobile-ios-faq>, on Jul. 28, 2019, 3 pages.  
 Dokuz H., "Color Images from Elections," Mar. 31, 2014, retrieved from <http://www.haberdokuz.com/2014/03/31/secimlerden-renkli-goruntuler/21>, 1 page.  
 Esposito A., "Implantable Glucose Sensor Featuring IDT Sensing Technology Awarded CE Mark," Jun. 22, 2016, retrieved from <https://www.medicaldesignandoutsourcing.com/implantable-glucose-sensor-featuring-idt-sensing-technology-awarded-ce-mark/>, on Jul. 28, 2019, 1 page.  
 Glum R., "Getting Started With Your Body+ Smart Scale," Withings, Jan. 28, 2016, retrieved from <https://blog.withings.com/2016/01/28/getting-started-nokia-body-plus/>, on Jul. 26, 2019, 3 pages.  
 Hogan J., "'Droplet' Reaches Kickstarter Target with One Week to Go," May 12, 2015, retrieved from <https://jordyjournos.com/2015/05/12/droplet-reaches-kickstarter-target-with-one-week-to-go/> on Jul. 31, 2020, 2 pages.  
 Hoskins M., "What's Next in Diabetes Tech for 2018?," Jan. 11, 2018, retrieved from <https://www.healthline.com/diabetesmine/diabetes-technology-expectations-2018#1>, on Jul. 31, 2019, 3 pages.  
 Iyengar V., "Connected: Diabetes Data Management Made Easy," Aug. 2015, retrieved from <https://endocrinenews.endocrine.org/august-2015-connected-diabetes-data-management-made-easy/>, on Jul. 26, 2019, 2 pages.  
 Lovett L., "Dexcom's Integrated CGM Receives FDA Nod," Mar. 28, 2018, retrieved from <https://www.mobihealthnews.com/content/dexcoms-integrated-cgm-receives-fda-nod>, on Jul. 28, 2019, 1 page.  
 "MyDario—New Age Diabetes Monitoring, trendplanet.com", Dec. 13, 2013, retrieved from <https://trendplanet.com/2013/12/13/my-dario-new-age-diabetes-monitoring/>, 1 page.  
 "Natural Icons Set," Jun. 21, 2017, retrieved from <https://www.shutterstock.com/image-vector/natural-icons-set-16-filled-such-621208148>, 2017, 3 pages.  
 Ryan E., et al., "What's Next from Tandem? Predictive Low Glucose Suspend Under FDA Review," Mar. 28, 2018, retrieved from <https://diatribe.org/whats-next-tandem-predictive-low-glucose-suspend-under-fda-review>, on Jul. 26, 2019, 2 pages.

(56)

**References Cited**

OTHER PUBLICATIONS

Sarah K., "Product Review: Dario Blood Glucose Monitoring System," Apr. 1, 2016, retrieved from <https://www.diabetesdaily.com/blog/product-review-dario-blood-glucose-monitoring-system-266404/>, on Jul. 31, 2020, 2 pages.

"Tandem Diabetes Care, Inc.—Form S-1," Jan. 16, 2018, retrieved from [http://getfilings.com/sec-filings/180116/TANDEM-DIABETES-CARE-INC\\_S-1/](http://getfilings.com/sec-filings/180116/TANDEM-DIABETES-CARE-INC_S-1/), 2 pages.

Taryn, "Tidepool: Cool New App," Mar. 22, 2016, retrieved from <https://forum.tdiabetes.org/t/tidepool-cool-new-app-for-analyzing-blood-sugartrends-thats-somuch-better-than-the-reports-i-get-with-my-pump/51854/10>, on Jul. 26, 2019, 1 page.

Tran J. et al., "Smartphone-Based Glucose Monitors and Applications in the Management of Diabetes: An Overview of 10 Salient "Apps" and a Novel Smartphone-Connected Blood Glucose Monitor," *Clinical Diabetes*, retrieved from <https://clinical.diabetesjournals.org/content/30/4/173>, on Jan. 14, 2020, vol. 30 (4), Oct. 2012, pp. 173-178.

Wills E., "Graphic Designer's Tube Maps Reveal Exactly How Far Underground You are on Every Station Platform," Jun. 22, 2018, retrieved from <https://www.standard.co.uk/news/transport/graphic-designers-tube-maps-reveal-exactly-how-far-underground-you-are-on-every-station-platform-a3870156.html>, on Jul. 28, 2019, 5 pages.

\* cited by examiner



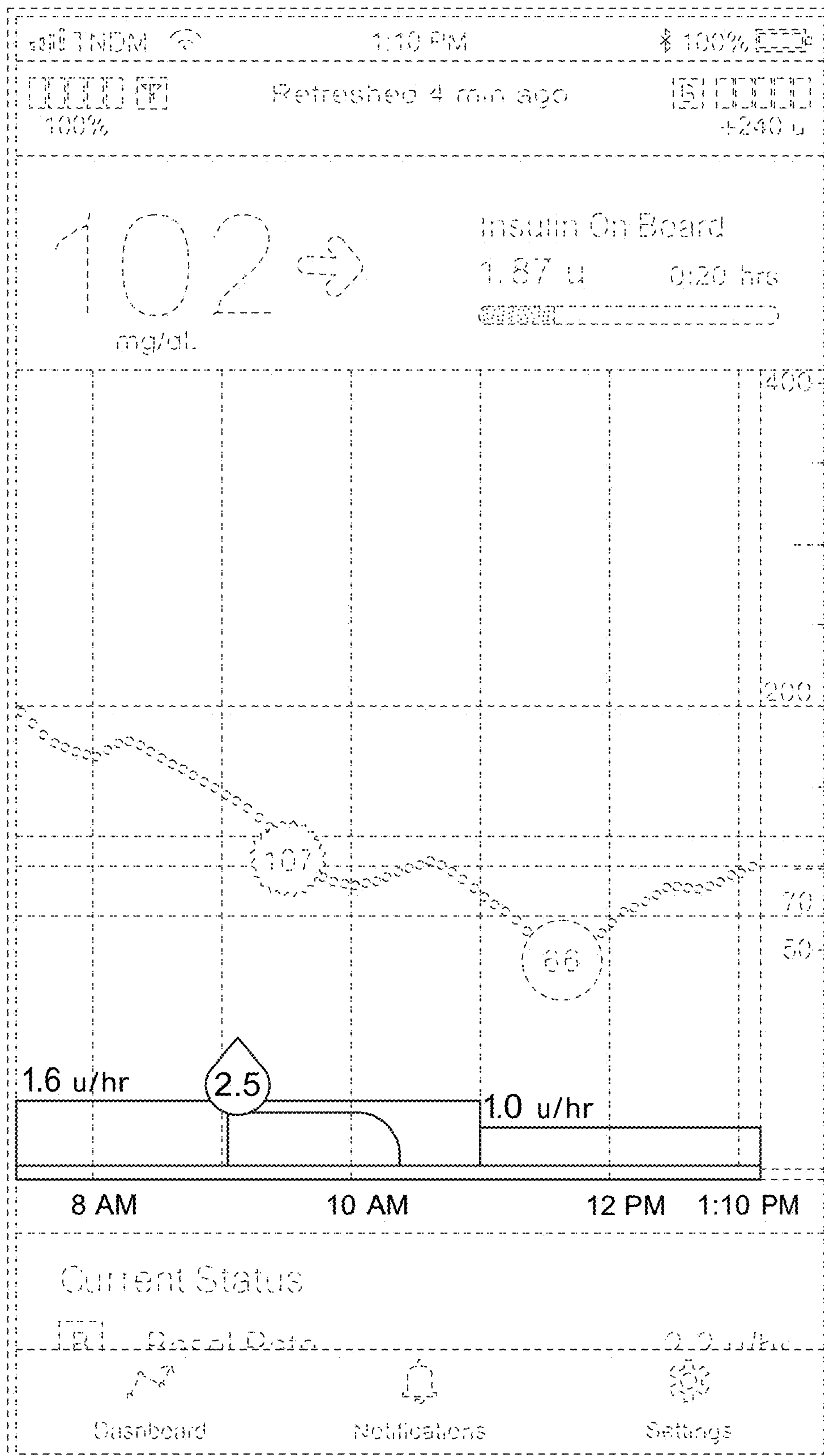


FIG. 1

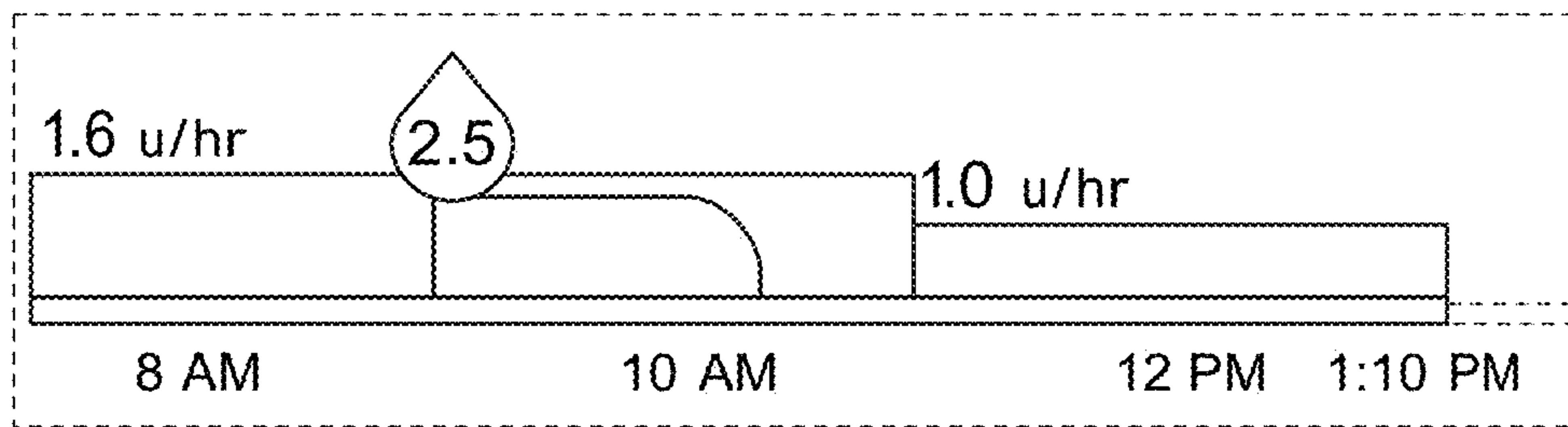


FIG. 2