



US00D931297S

(12) **United States Design Patent** (10) **Patent No.:** **US D931,297 S**  
**Kaitou** (45) **Date of Patent:** **\*\* \*Sep. 21, 2021**

(54) **DISPLAY PANEL WITH ANIMATED GRAPHICAL USER INTERFACE**

(71) Applicant: **Japan Display Inc.**, Minato-ku (JP)

(72) Inventor: **Takuo Kaitou**, Minato-ku (JP)

(73) Assignee: **Japan Display Inc.**, Minato-ku (JP)

(\*) Notice: This patent is subject to a terminal disclaimer.

(\*\*) Term: **15 Years**

(21) Appl. No.: **29/681,211**

(22) Filed: **Feb. 22, 2019**

(30) **Foreign Application Priority Data**

Aug. 24, 2018 (JP) ..... 2018-018405

(51) **LOC (13) Cl.** ..... **14-04**

(52) **U.S. Cl.**  
USPC ..... **D14/485**

(58) **Field of Classification Search**  
USPC ..... D14/485–495  
CPC .... G06F 3/048; G06F 3/0481; G06F 3/04817;  
G06T 13/80; G06T 15/02  
See application file for complete search history.

(56) **References Cited**

**U.S. PATENT DOCUMENTS**

D703,227 S \* 4/2014 Abratowski ..... D14/489  
D719,189 S \* 12/2014 Brinda ..... D14/492  
D721,735 S \* 1/2015 Park ..... D14/492  
D730,937 S \* 6/2015 Kim ..... D14/492

(Continued)

**FOREIGN PATENT DOCUMENTS**

JP 2018-018404 8/2018

**OTHER PUBLICATIONS**

Threeonesevenphotography, Aug. 21, 2019 [online], site accessed Feb. 23, 2021. Available at <URL: “Japan Display,” “camera,” “lens,” “aperture,” “animated,” “transitional,” “graphical,” “interface”>.\*

(Continued)

*Primary Examiner* — Daniel J Domino

(74) *Attorney, Agent, or Firm* — Oblon, McClelland, Maier & Neustadt, L.L.P.

(57) **CLAIM**

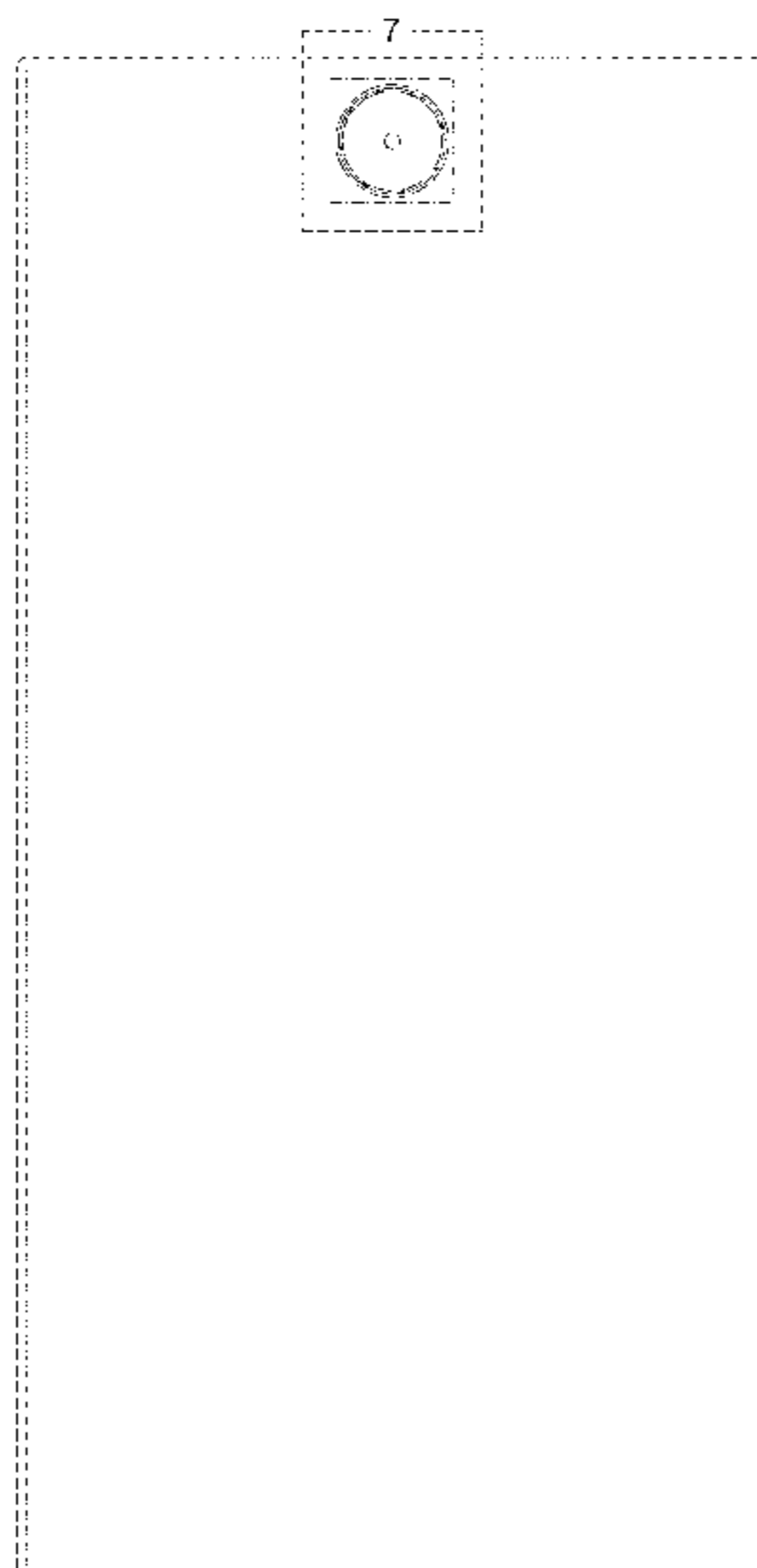
The ornamental design for a display panel with animated graphical user interface, as shown and described.

**DESCRIPTION**

FIG. 1 is a front view of a first image in a sequence of a display panel with animated graphical user interface; FIG. 2 is a second image thereof; FIG. 3 is a third image thereof; FIG. 4 is a fourth image thereof; FIG. 5 is a fifth image thereof; FIG. 6 is a sixth image thereof; FIG. 7 is a partial enlarged view taken from FIG. 1; FIG. 8 is a partial enlarged view taken from FIG. 2; FIG. 9 is a partial enlarged view taken from FIG. 3; FIG. 10 is a partial enlarged view taken from FIG. 4; FIG. 11 is a partial enlarged view taken from FIG. 5; and, FIG. 12 is a partial enlarged view taken from FIG. 6. The appearance of the graphical user interface transitions sequentially between the images shown in FIGS. 1-6 and the images shown in FIGS. 7-12. The process or period in which one image transitions to another image forms no part of the claimed design.

The dot-dash broken lines form a border of the claimed design. The broken lines used to reference the enlarged portions corresponding to differing views and the broken lines showing portions of the display panel form no part of the claimed design.

**1 Claim, 9 Drawing Sheets**



(56)

References Cited

U.S. PATENT DOCUMENTS

D731,547 S \* 6/2015 Kim ..... D14/492  
 D732,575 S \* 6/2015 Vardy ..... D14/489  
 D734,779 S \* 7/2015 Dye ..... D14/492  
 D739,421 S \* 9/2015 Brinda ..... D14/485  
 D755,245 S \* 5/2016 Kim ..... D14/495  
 D760,777 S \* 7/2016 Lee ..... D14/489  
 D760,778 S \* 7/2016 Lee ..... D14/489  
 D761,309 S \* 7/2016 Lee ..... D14/489  
 D762,655 S \* 8/2016 Kai ..... D14/485  
 D762,673 S \* 8/2016 Seo ..... D14/485  
 D762,691 S \* 8/2016 Dye ..... D14/486  
 D762,717 S \* 8/2016 Kim ..... D14/489  
 D762,719 S \* 8/2016 Lee ..... D14/489  
 D774,084 S \* 12/2016 Lee ..... D14/489  
 D778,940 S \* 2/2017 Williamson ..... D14/488  
 D783,633 S \* 4/2017 Oh ..... D14/485  
 D784,363 S \* 4/2017 Fleming ..... D14/485  
 D790,588 S \* 6/2017 Bebbington ..... D14/488  
 D791,820 S \* 7/2017 Yun ..... D14/489  
 D821,443 S \* 6/2018 Jang ..... D14/489  
 D823,317 S \* 7/2018 Li ..... D14/485  
 D828,393 S \* 9/2018 Li ..... D14/492  
 D831,067 S \* 10/2018 Ekstrand ..... D14/489  
 D835,665 S \* 12/2018 Kimura ..... D14/488

D841,664 S \* 2/2019 Butcher ..... D14/485  
 D845,341 S \* 4/2019 Yoon ..... D14/489  
 D847,156 S \* 4/2019 Bae ..... D14/485  
 D847,844 S \* 5/2019 Li ..... D14/486  
 D847,845 S \* 5/2019 Li ..... D14/486  
 D850,470 S \* 6/2019 Dye ..... D14/485  
 D852,209 S \* 6/2019 Wei ..... D14/486  
 D852,217 S \* 6/2019 Li ..... D14/486  
 D857,726 S \* 8/2019 Van Gerbig ..... D14/486  
 D857,742 S \* 8/2019 Van Gerbig ..... D14/489  
 D895,675 S \* 9/2020 Zurmoehle ..... D14/489  
 D896,262 S \* 9/2020 Broughton ..... D14/486  
 D897,369 S \* 9/2020 Zurmoehle ..... D14/489  
 D905,098 S \* 12/2020 Diamant ..... D14/488  
 D910,068 S \* 2/2021 Dye ..... D14/489

OTHER PUBLICATIONS

Misha Shutkevych, Jan. 27, 2019 [online], site accessed Feb. 23, 2021. Available at <URL: <https://www.istockphoto.com/vector/camera-shutter-set-of-camera-lens-aperture-icons-with-different-position-of-a-gm1125418061-295846570>>.\*

Arseniuk Oleksii, Jul. 6, 2018 [online], site accessed Feb. 23, 2021. Available at <URL: <https://depositphotos.com/202796826/stock-illustration-set-camera-lens-aperture-icons.html>>.\*

\* cited by examiner

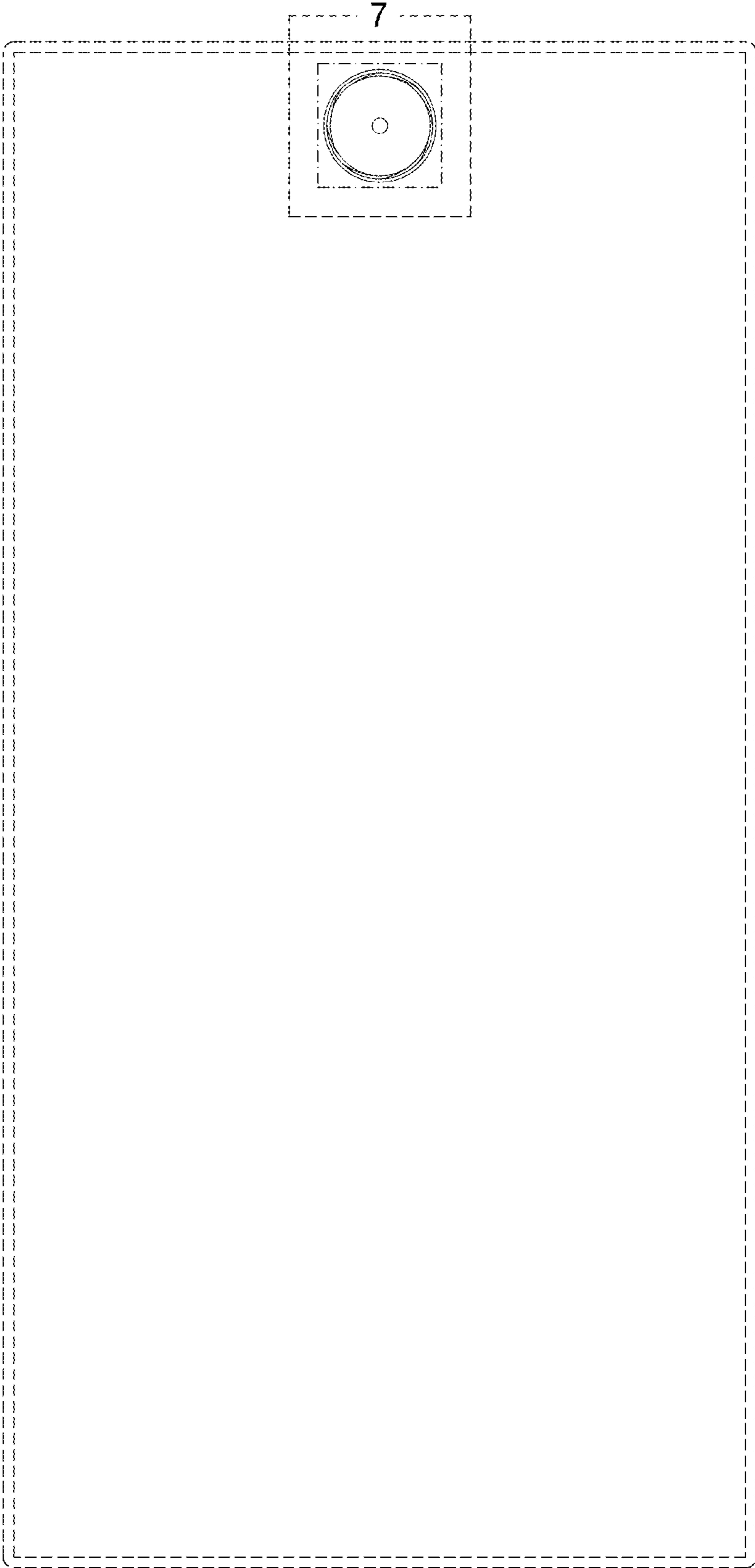


Fig. 1

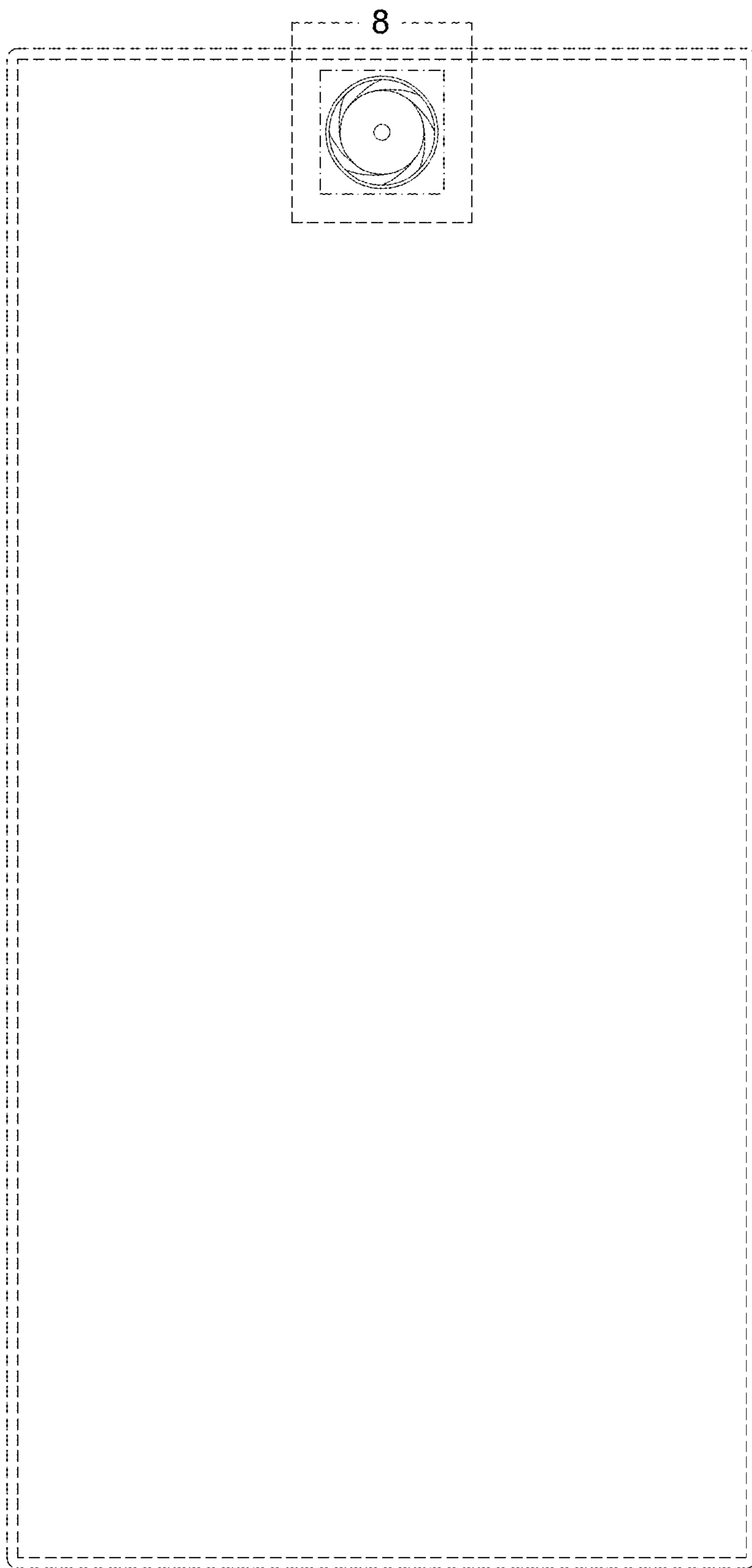


Fig. 2

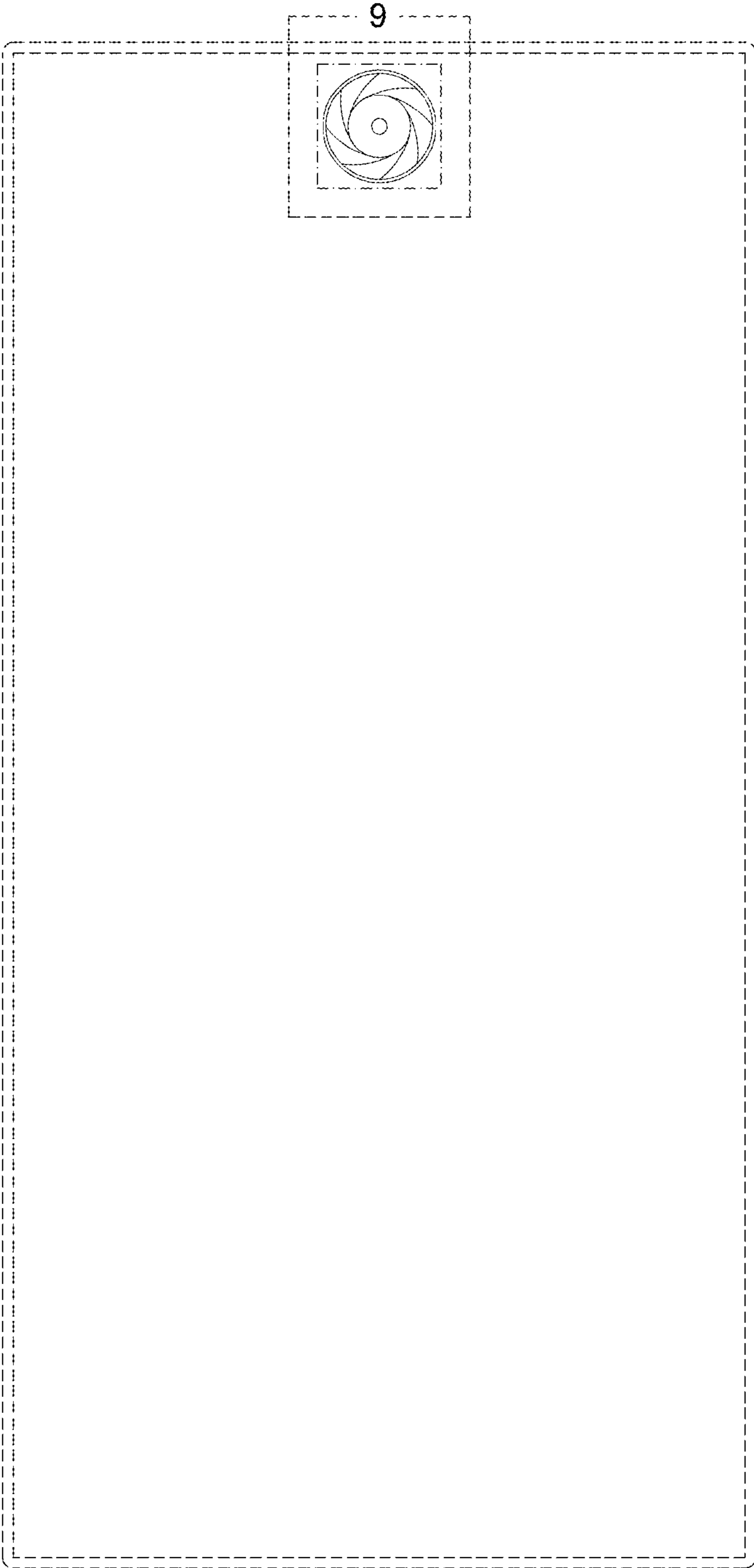


Fig. 3



Fig. 4



Fig. 5



Fig. 6



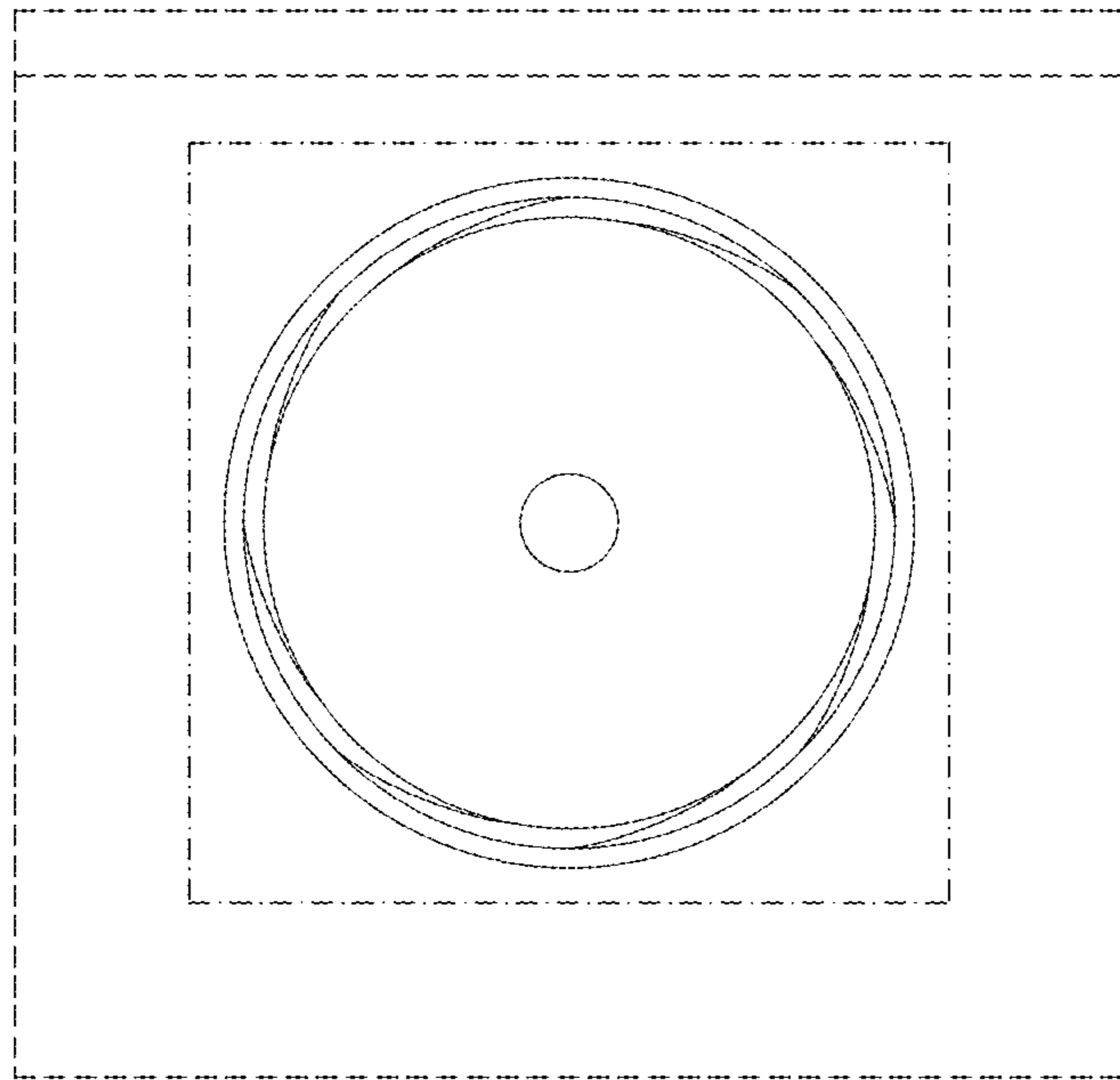


Fig. 7

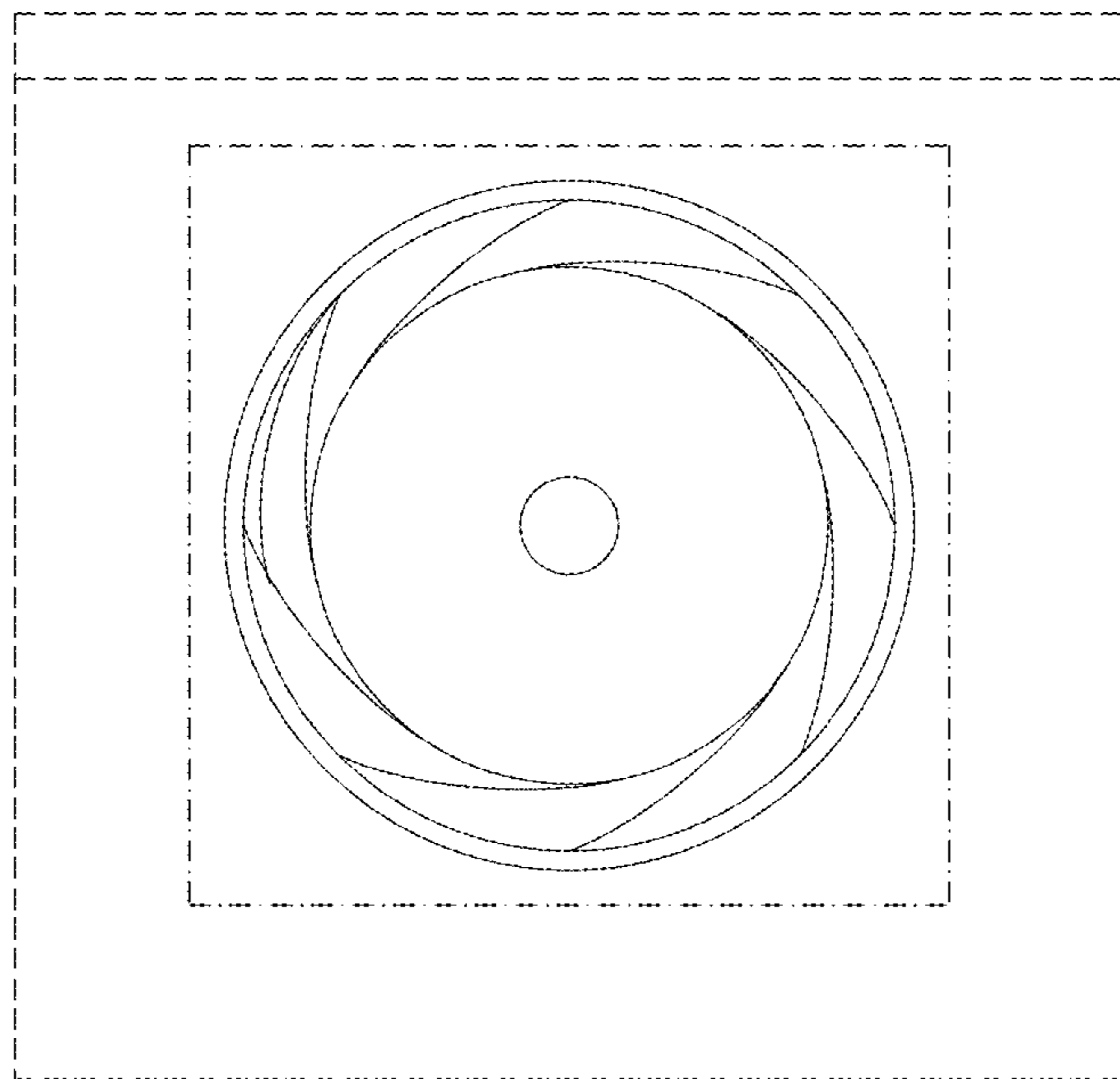


Fig. 8

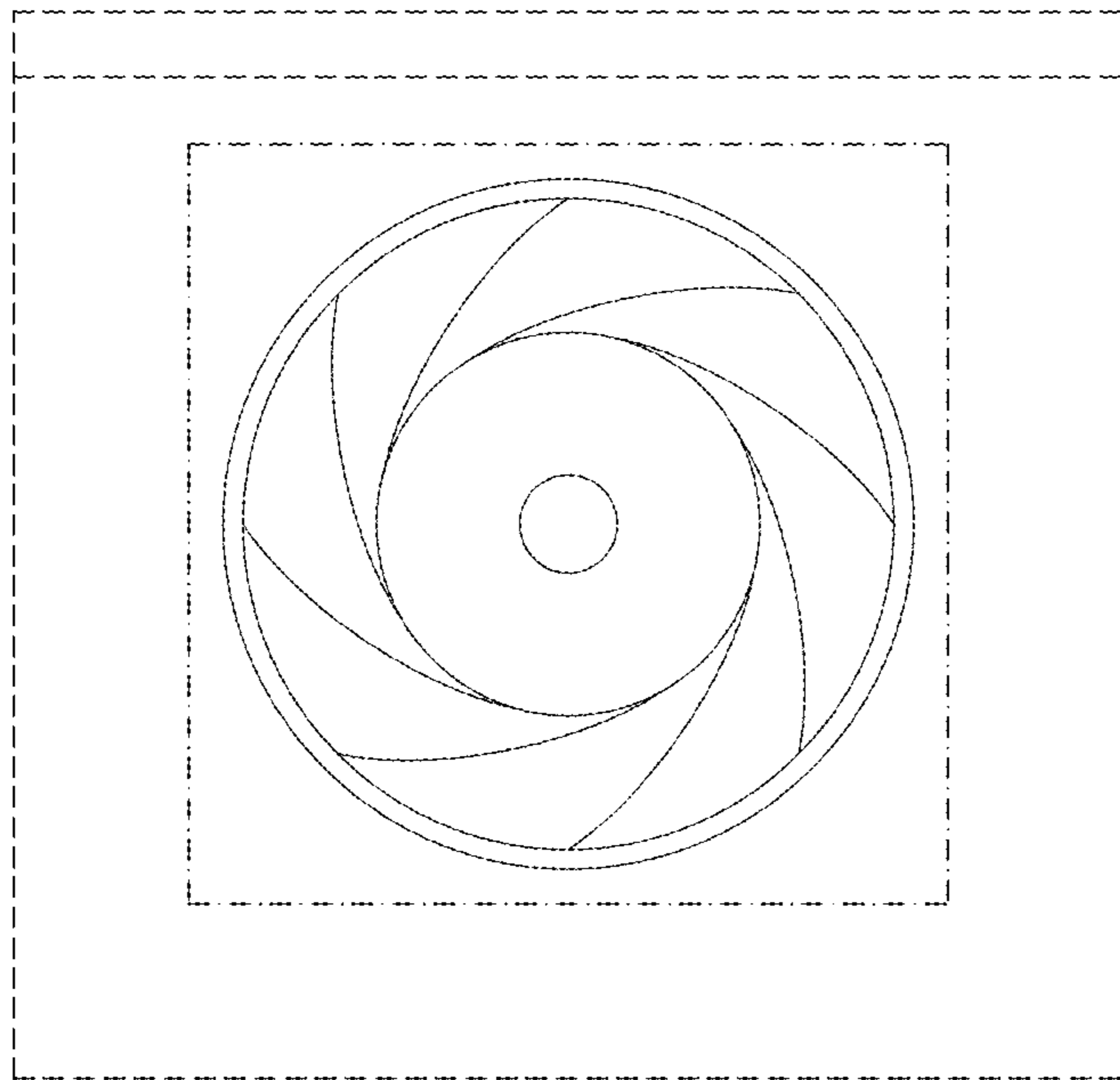


Fig. 9

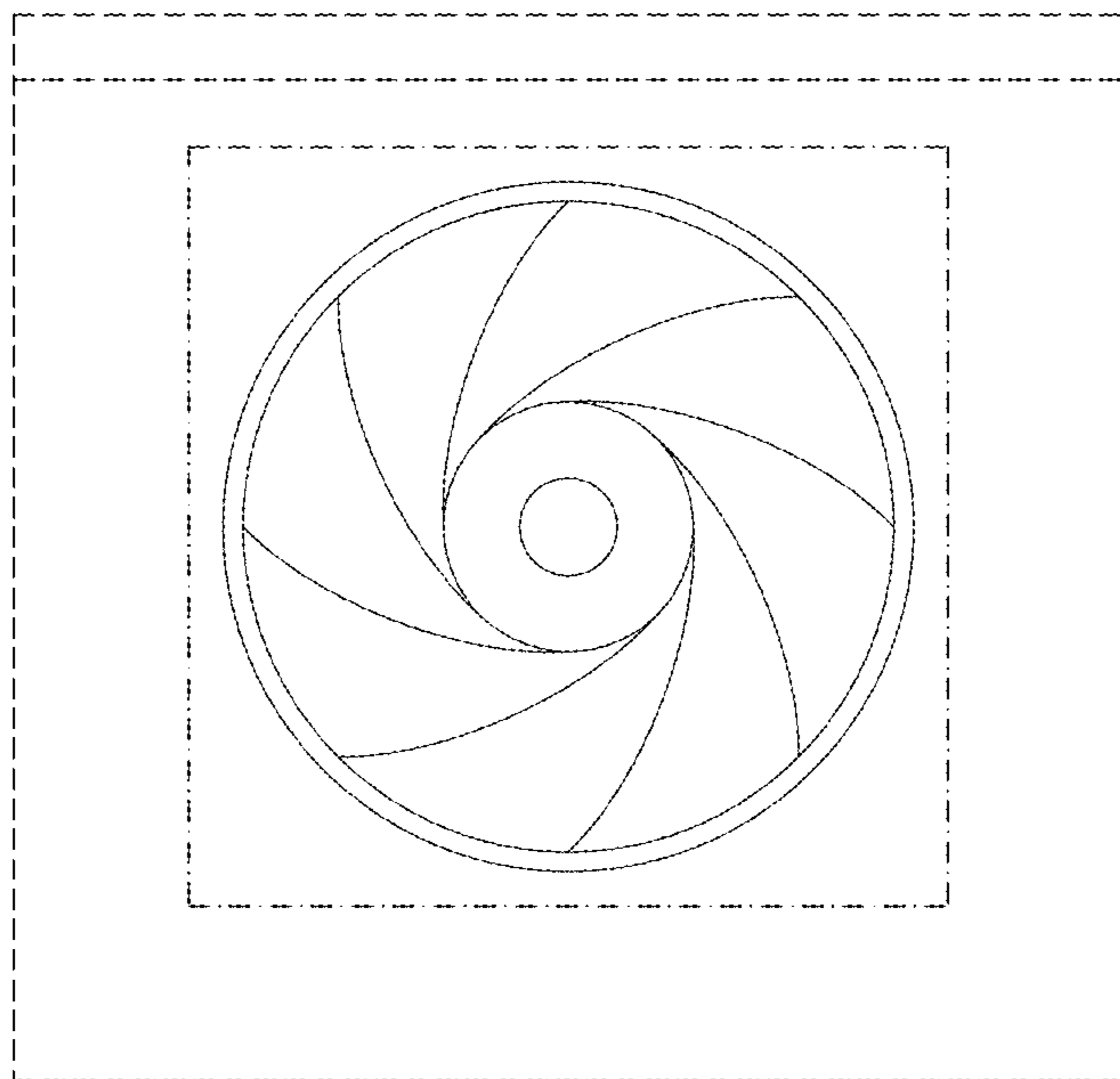


Fig. 10

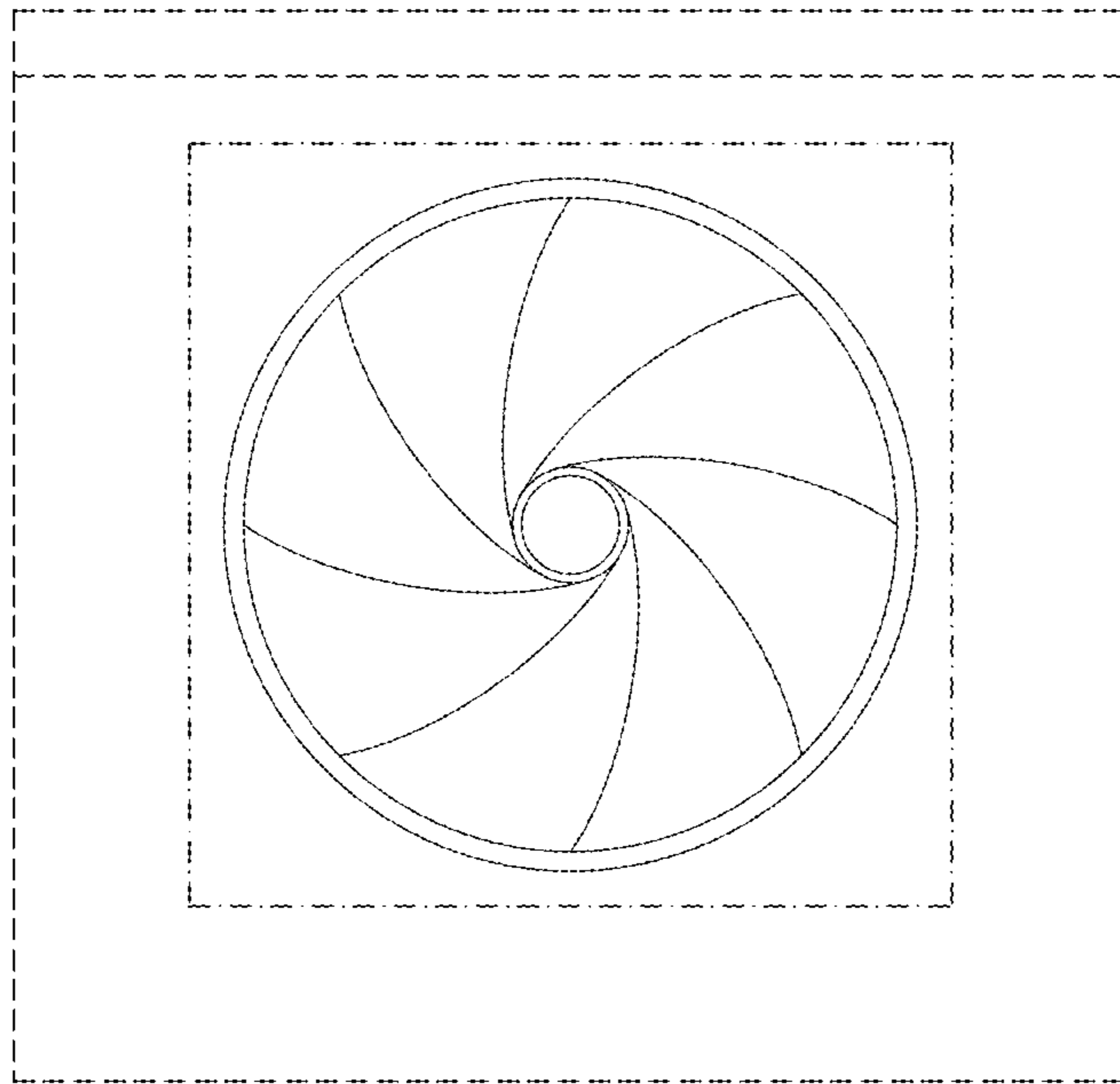


Fig. 11

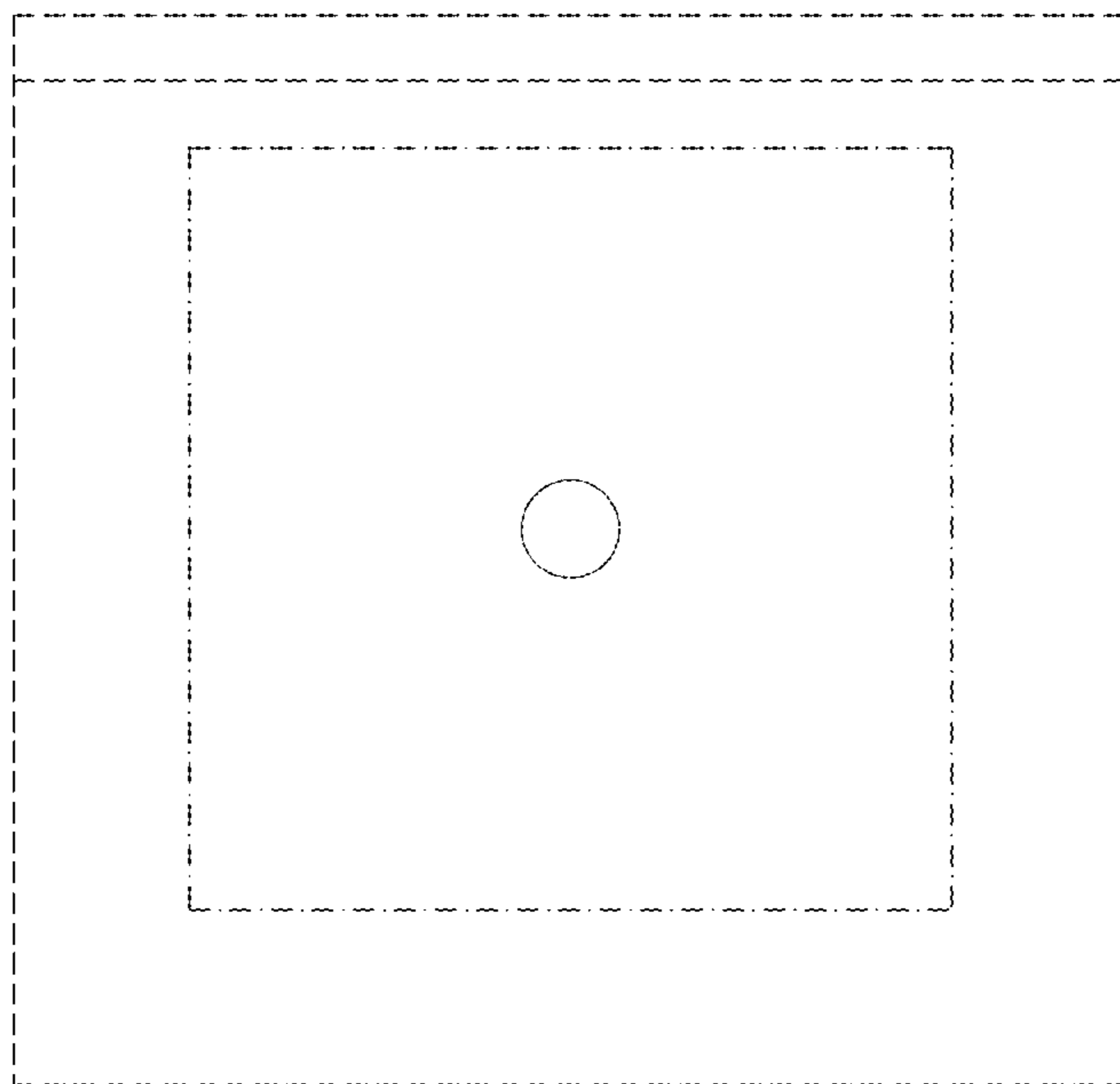


Fig. 12