



US00D931293S

(12) **United States Design Patent** (10) **Patent No.:** **US D931,293 S**  
**Jin** (45) **Date of Patent:** **\*\* Sep. 21, 2021**

(54) **DISPLAY MOUNT**  
(71) Applicant: **SHENZHEN PRIME TECHNOLOGY CO., LTD**, Shenzhen (CN)

D724,072 S \* 3/2015 Jiang ..... D14/253  
D837,225 S 1/2019 Russell et al.  
D872,067 S \* 1/2020 Knapp ..... D14/239  
(Continued)

(72) Inventor: **Wenwu Jin**, Shenzhen (CN)  
(73) Assignee: **SHENZHEN PRIME TECHNOLOGY CO., LTD**, Shenzhen (CN)

FOREIGN PATENT DOCUMENTS

CN 301464956 \* 2/2011  
CN 301545883 \* 5/2011  
(Continued)

(\*\*) Term: **15 Years**  
(21) Appl. No.: **29/751,073**  
(22) Filed: **Sep. 18, 2020**  
(51) **LOC (13) Cl.** ..... **14-02**  
(52) **U.S. Cl.**  
USPC ..... **D14/452**

OTHER PUBLICATIONS

Amazon. Link: [https://www.amazon.com/HUANUO-Single-Monitor-Stand-Adjustable/dp/B07ZNY787C/ref=sr\\_1\\_2\\_sspa?dchild=1&keywords=HUANUO+single+Mon%E2%80%A6](https://www.amazon.com/HUANUO-Single-Monitor-Stand-Adjustable/dp/B07ZNY787C/ref=sr_1_2_sspa?dchild=1&keywords=HUANUO+single+Mon%E2%80%A6). Apr. 28, 2020. HUANUO Swivel Universal Single Monitor Stand. (Year: 2020).\*  
(Continued)

(58) **Field of Classification Search**  
USPC ..... D14/239, 371, 372, 373, 374, 375, 376, D14/377, 447-452, 125, 127, 128, 129, D14/335-337, 341, 126; D8/355, 363, D8/373; D6/672, 682  
CPC ..... F16M 11/2085; F16M 11/2092; F16M 11/2007; F16M 11/2014; F16M 11/2021; F16M 11/105; F16M 11/048; F16M 11/12; F16M 13/022; F16M 11/10  
See application file for complete search history.

Primary Examiner — Lauren D McVey

(56) **References Cited**

U.S. PATENT DOCUMENTS

D537,706 S 3/2007 Ly Hau et al.  
7,460,363 B2 \* 12/2008 Teng ..... F16M 11/28 248/125.1  
D602,923 S 10/2009 Skull  
D624,062 S \* 9/2010 Kasuga ..... D14/239  
D624,063 S \* 9/2010 Kasuga ..... D14/239  
D638,022 S \* 5/2011 Kasuga ..... D14/451  
D660,308 S \* 5/2012 Huang ..... D14/452  
8,757,569 B2 \* 6/2014 Chen ..... F16M 11/2014 248/298.1

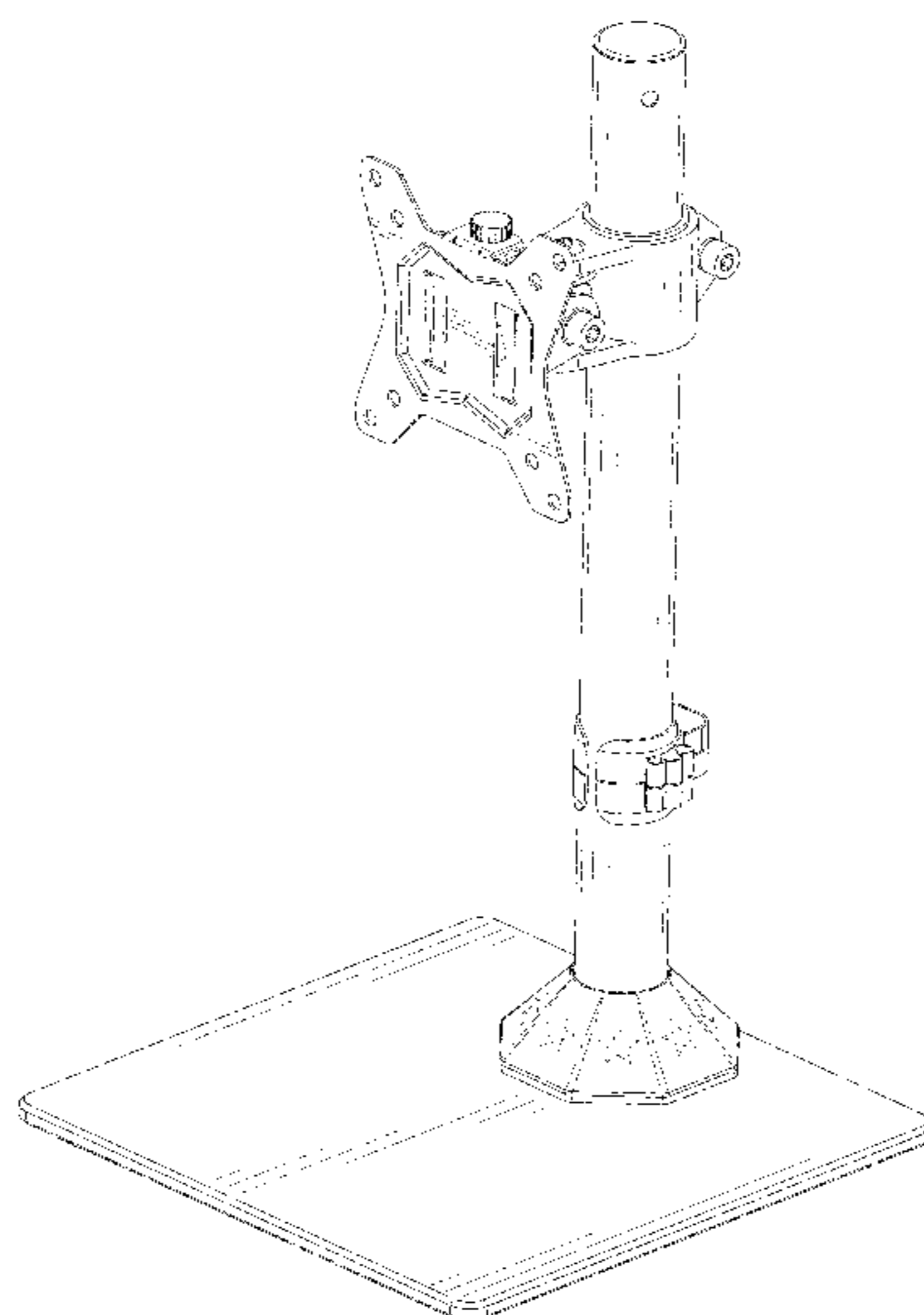
(57) **CLAIM**

The ornamental design for a display mount, as shown and described.

**DESCRIPTION**

FIG. 1 is a perspective view of a display mount showing my new design;  
FIG. 2 is another perspective view thereof;  
FIG. 3 is a front elevational view thereof;  
FIG. 4 is a rear elevational view thereof;  
FIG. 5 is a left side elevational view thereof;  
FIG. 6 is a right side elevational view thereof;  
FIG. 7 is a top plan view thereof; and,  
FIG. 8 is a bottom plan view thereof.  
The broken lines immediately adjacent to the shaded areas depict the bounds of the claimed design, while all other broken lines are directed to environment. The broken lines form no part of the claimed design.

**1 Claim, 8 Drawing Sheets**



(56)

**References Cited**

U.S. PATENT DOCUMENTS

D872,719 S \* 1/2020 Knapp ..... D14/239  
 D877,745 S \* 3/2020 Knapp ..... D14/452  
 D894,197 S \* 8/2020 Knapp ..... D14/452  
 D895,632 S \* 9/2020 Knapp ..... D14/452  
 D920,340 S \* 5/2021 Shu ..... D14/452

FOREIGN PATENT DOCUMENTS

CN 303520530 \* 12/2015  
 WO WO-2012051527 A1 \* 4/2012 ..... F16M 11/14  
 WO WO-2013162963 A1 \* 10/2013 ..... F16M 11/14

OTHER PUBLICATIONS

Amazon. Link: [https://www.amazon.com/dp/B081H8WMXT/ref=sspa\\_dk\\_detail\\_1?psc=1&pd\\_rd\\_i=B081H8WMXT&pd\\_rd\\_w=e10Au&pf\\_rd\\_p=7d37a48b-2b1a-437%E2%80%A6](https://www.amazon.com/dp/B081H8WMXT/ref=sspa_dk_detail_1?psc=1&pd_rd_i=B081H8WMXT&pd_rd_w=e10Au&pf_rd_p=7d37a48b-2b1a-437%E2%80%A6). Apr. 27, 2020. HUANUO Dual Monitor Stand—Vertical Stack. (Year: 2020).\*

Amazon. Link: [https://www.amazon.com/dp/B074T8QYZ6/ref=cm\\_sw\\_em\\_r\\_mt\\_dp\\_SG2G8AHGRNXZXDYSC9HS?encoding=UTF8&psc=1](https://www.amazon.com/dp/B074T8QYZ6/ref=cm_sw_em_r_mt_dp_SG2G8AHGRNXZXDYSC9HS?encoding=UTF8&psc=1). Aug. 14, 2017. 1home Freestanding Monitor Mount. (Year: 2017).\*

Amazon. Link: <https://www.amazon.com/VIVO-Computer-Monitor-Freestanding-STAND-V001HG/dp/B07FCRLP8X>. Jul. 9, 2018. VIVO Single LCD Computer Monitor Mount. (Year: 2018).\*

\* cited by examiner

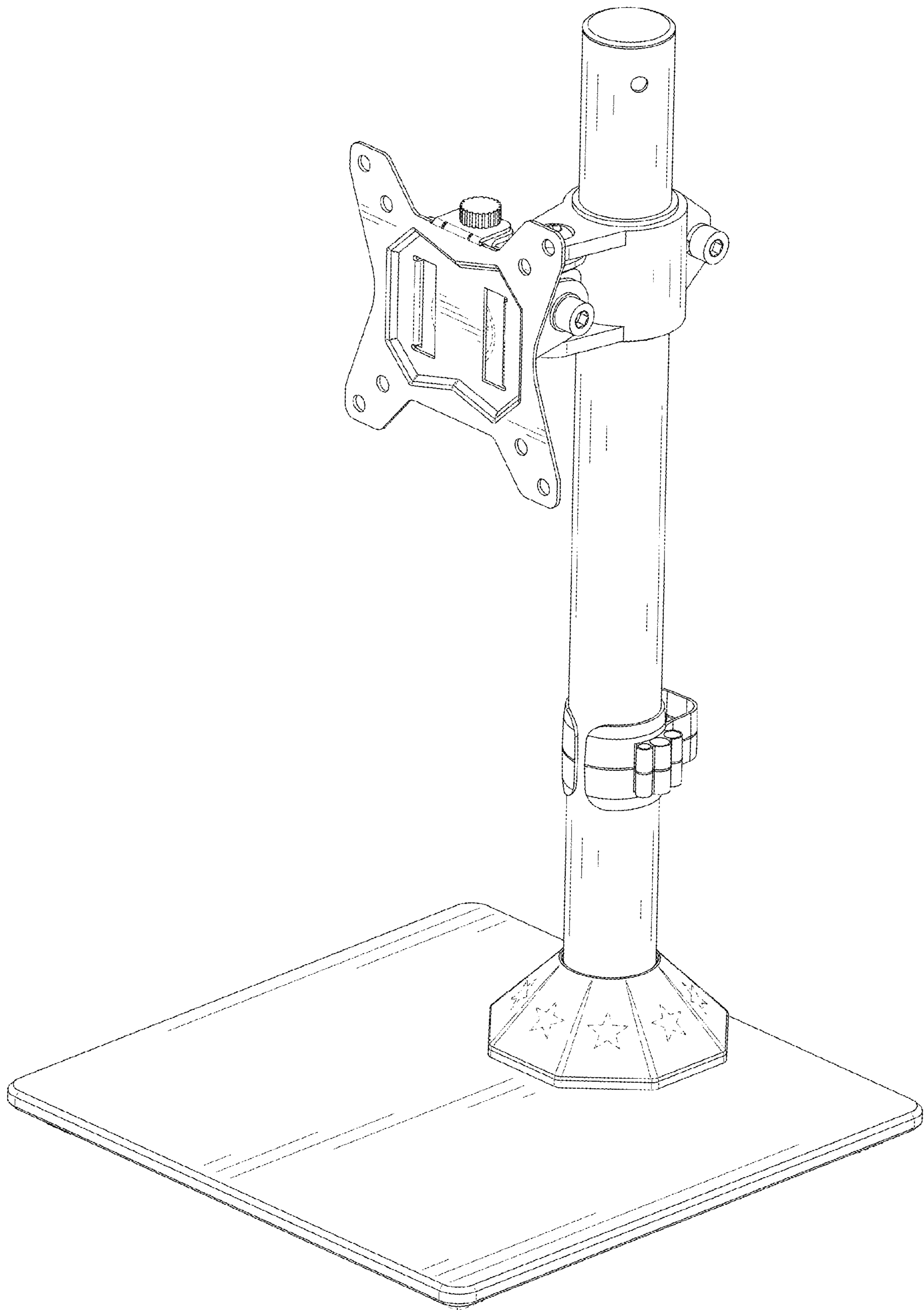


FIG. 1

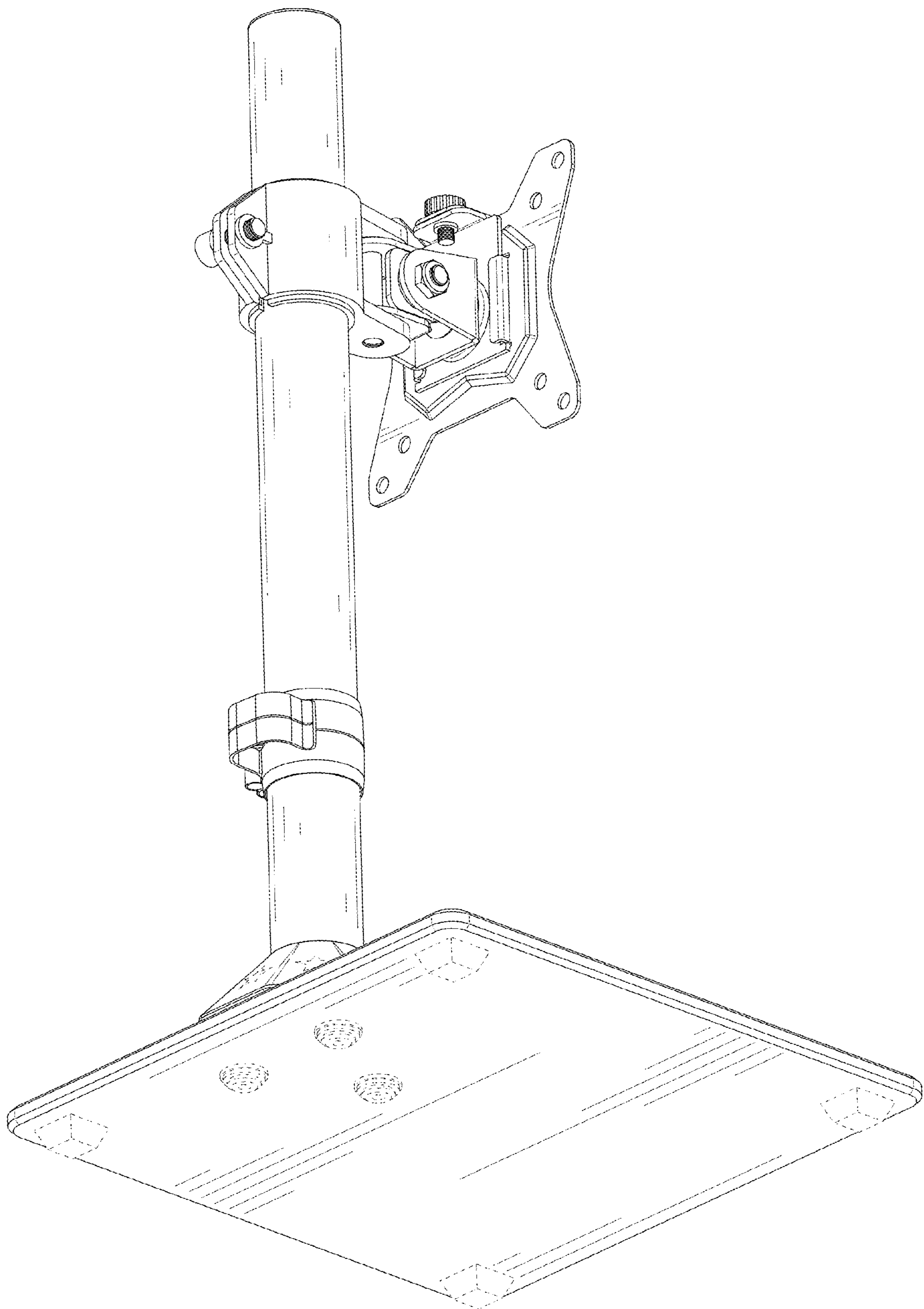


FIG. 2

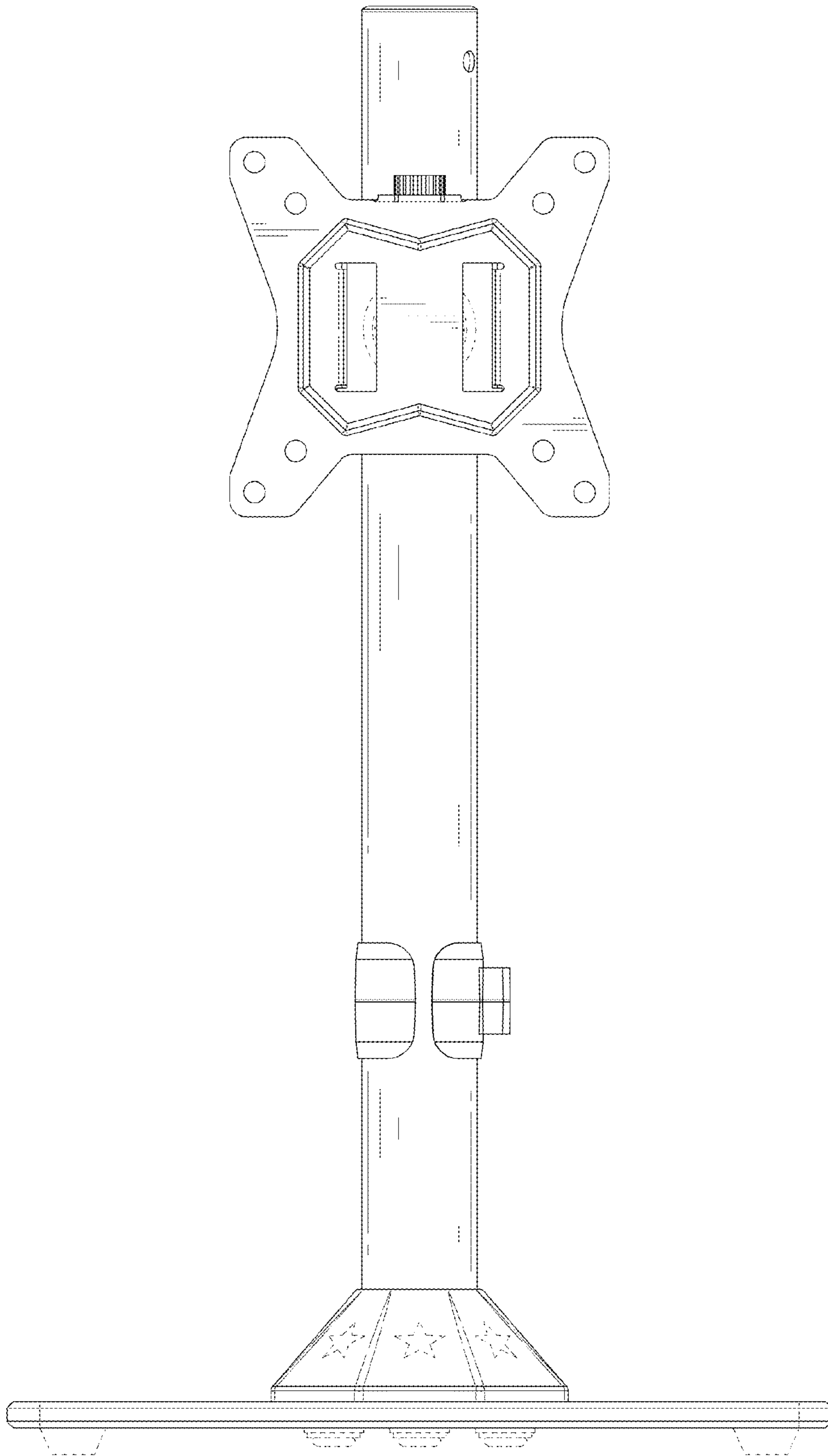


FIG. 3



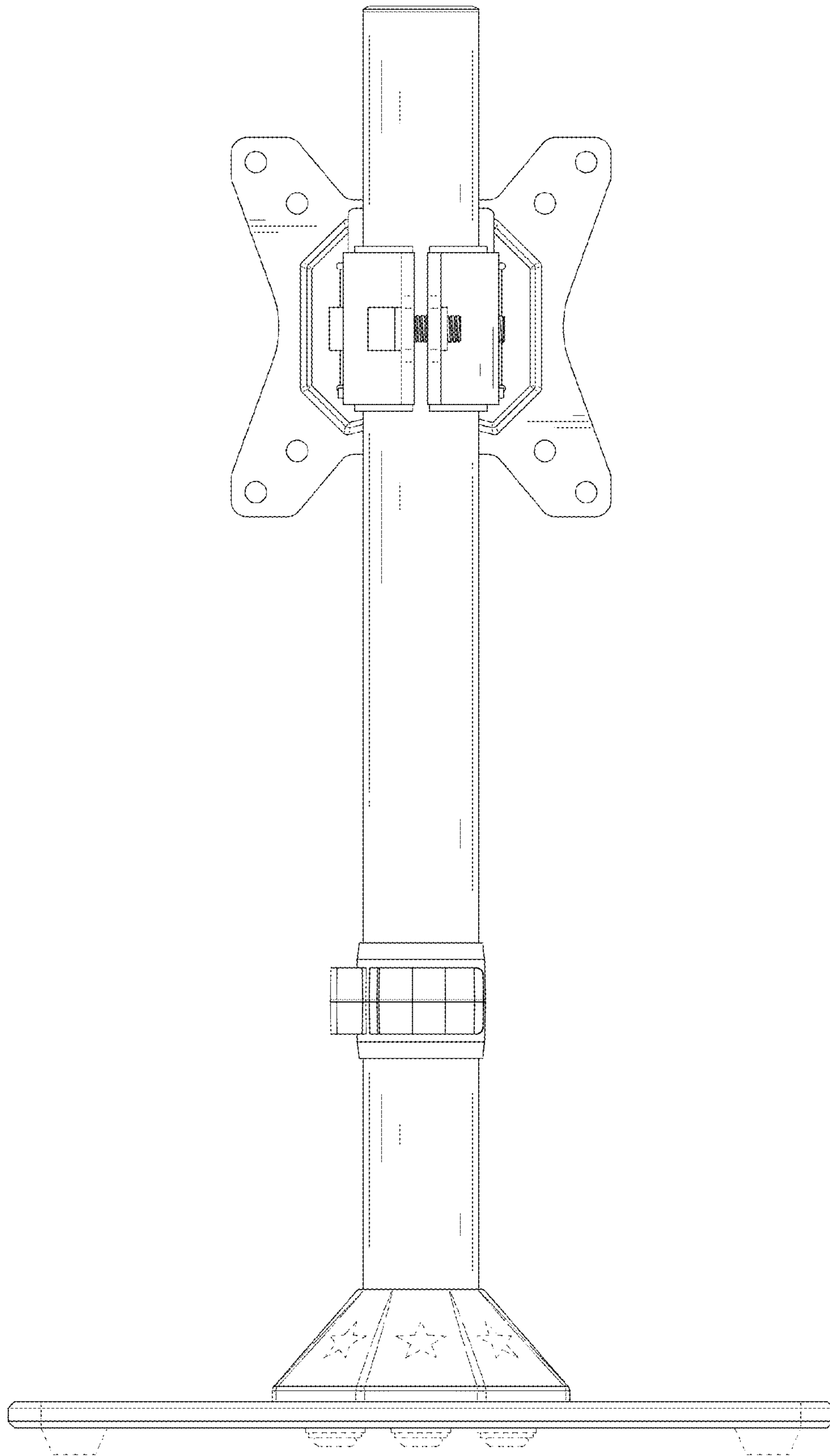


FIG. 4

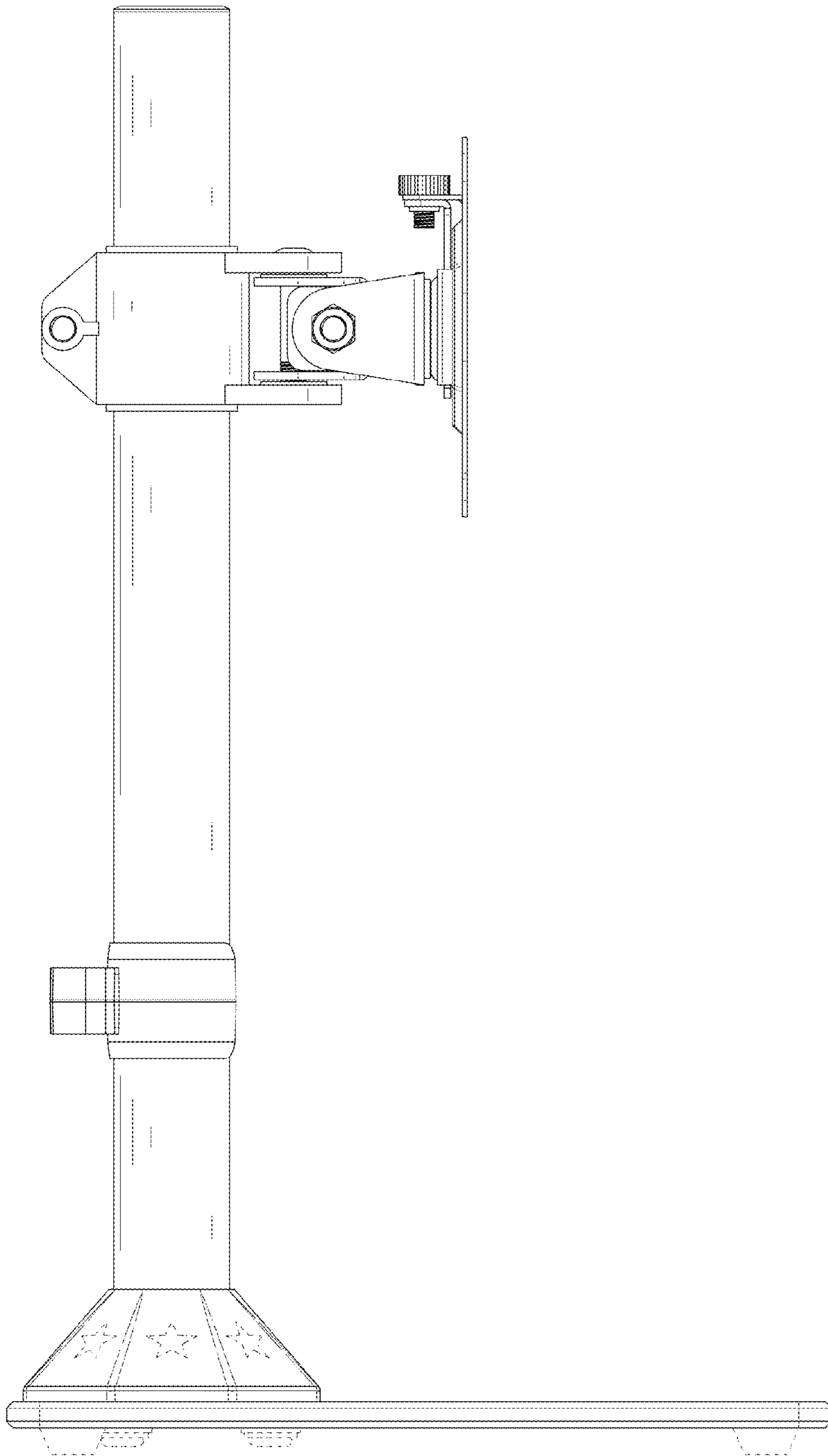


FIG. 5

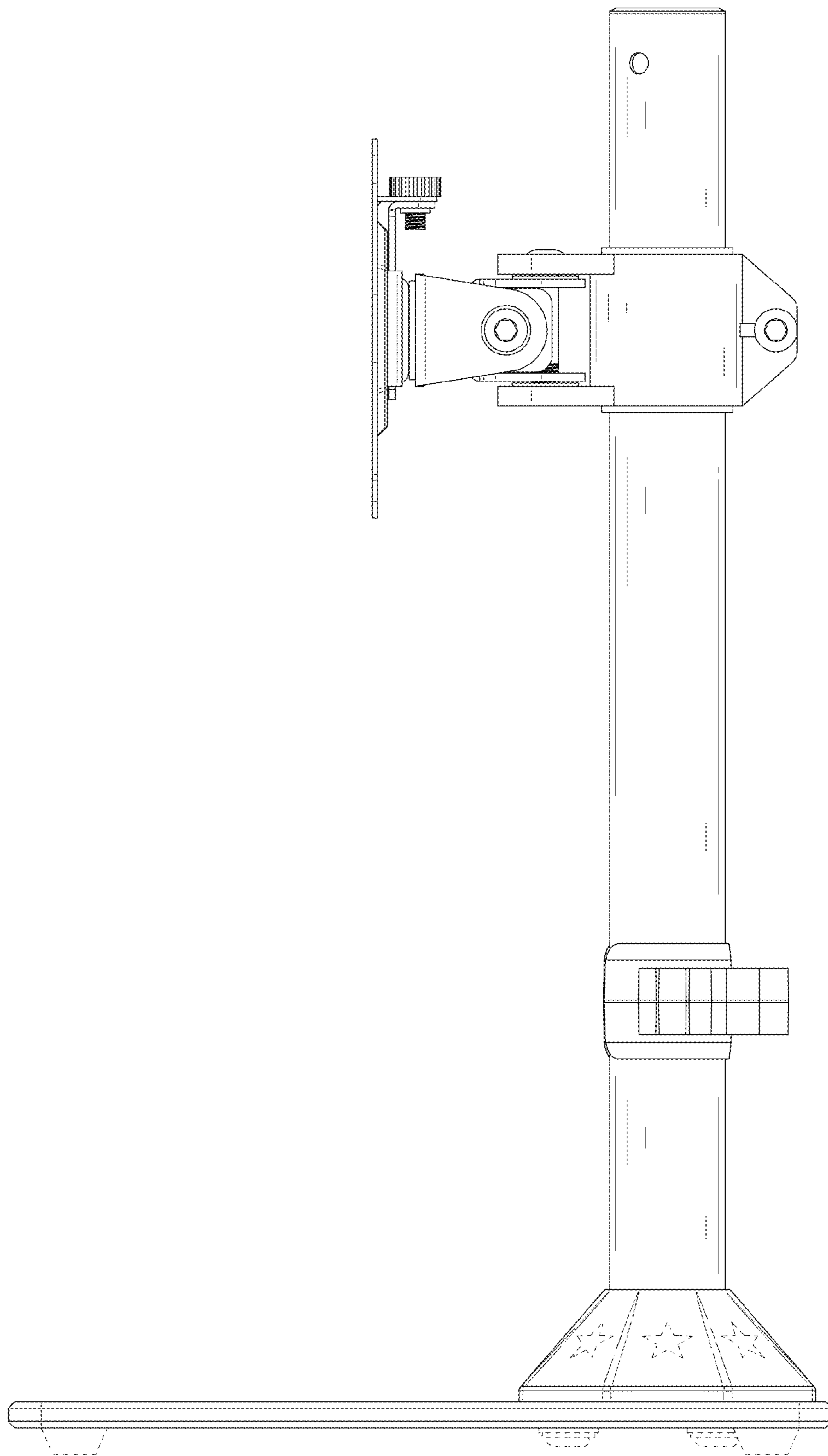


FIG. 6



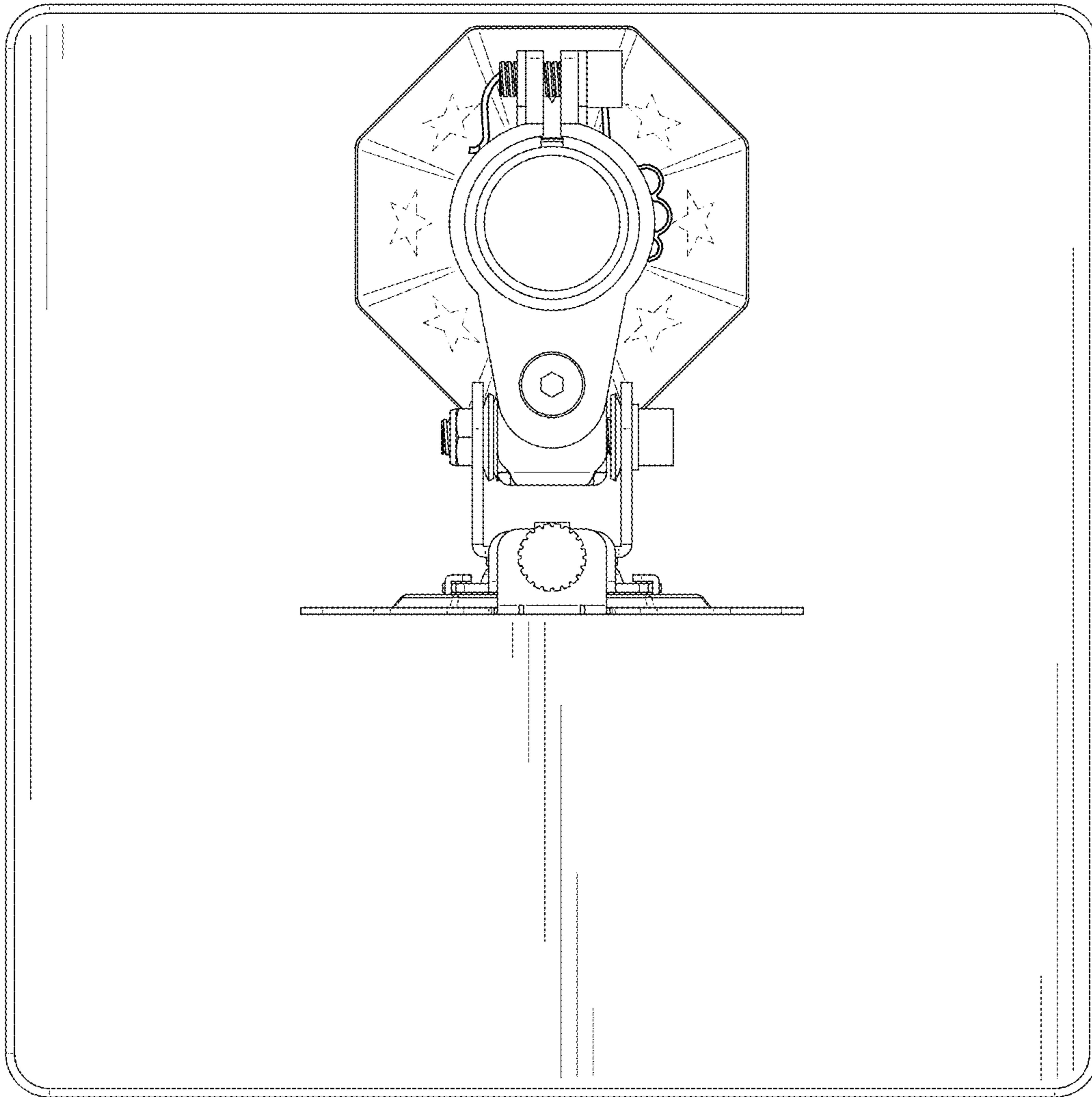


FIG. 7

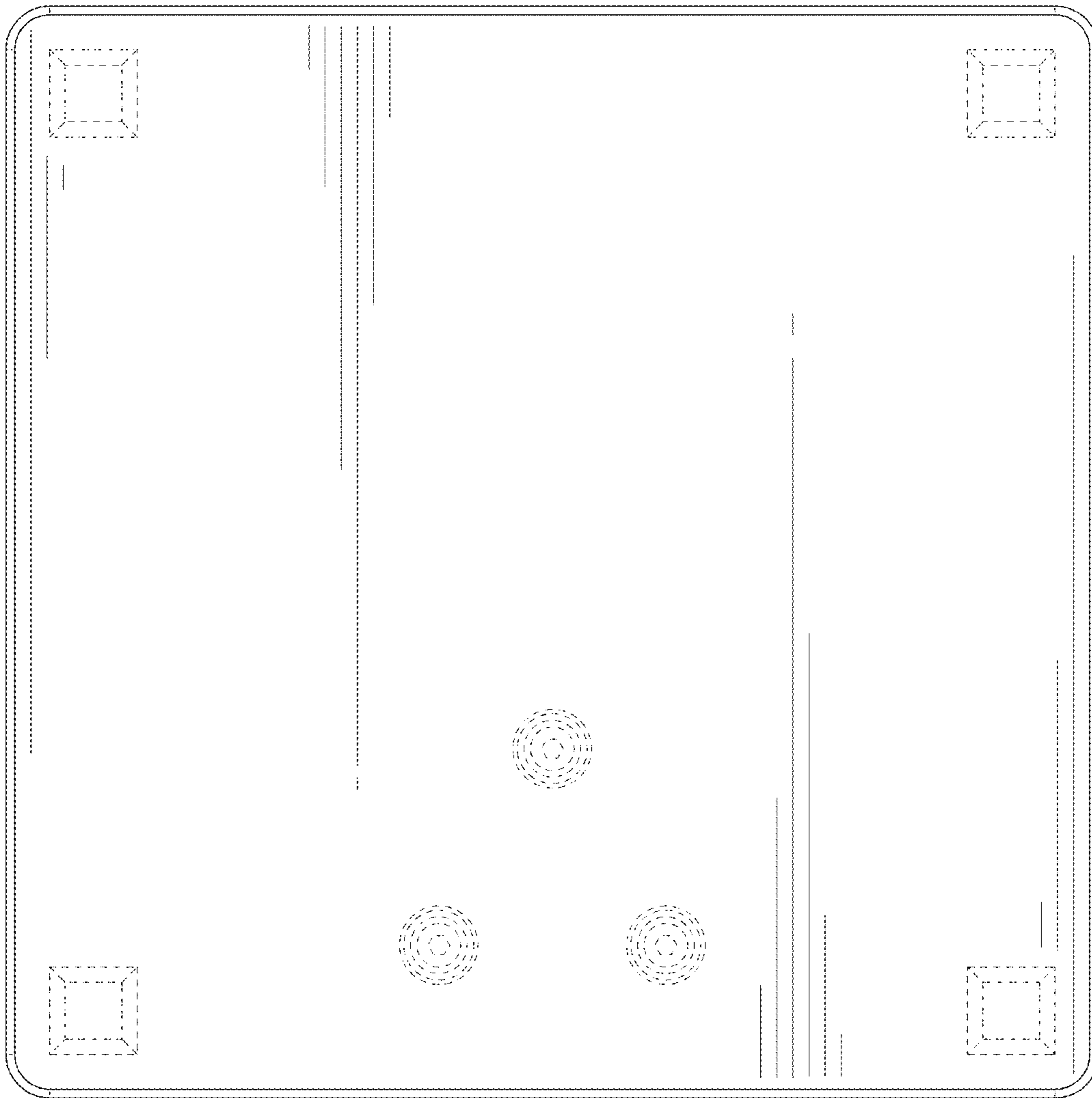


FIG. 8