



US00D931292S

(12) **United States Design Patent**  
**Kleist et al.**

(10) **Patent No.:** **US D931,292 S**  
(45) **Date of Patent:** **\*\* Sep. 21, 2021**

(54) **MONITOR AND KEYBOARD SUPPORT ARM**

- (71) Applicant: **In2Ergo, Inc.**, Monrovia, CA (US)
- (72) Inventors: **Ronald G. Kleist**, Santa Rosa, CA (US); **James Bond**, Santa Rosa, CA (US); **Dennis Vetu**, Hong Kong (HK); **Thibault Lerailier**, Hong Kong (HK)

(\*\*) Term: **15 Years**

(21) Appl. No.: **29/680,756**

(22) Filed: **Feb. 19, 2019**

(51) **LOC (13) Cl.** ..... **14-03**

(52) **U.S. Cl.**  
USPC ..... **D14/452**

(58) **Field of Classification Search**  
 USPC ..... D14/239, 371, 372, 373, 374, 375, 376, D14/377, 447-452, 125, 127, 128, 129, D14/335-337, 341, 126; D8/355, 363, D8/373; D6/672, 682  
 CPC ..... F16M 11/2085; F16M 11/2092; F16M 11/2007; F16M 11/2014; F16M 11/2021; F16M 11/105; F16M 11/048; F16M 11/12; F16M 13/022; F16M 11/10  
 See application file for complete search history.

(56) **References Cited**

**U.S. PATENT DOCUMENTS**

D678,888 S *	3/2013	Hung	.....	D14/452
D731,497 S *	6/2015	Xiang	.....	D14/447
D742,206 S *	11/2015	Bowman	.....	D8/363
D758,375 S *	6/2016	Won	.....	D14/451
D798,848 S *	10/2017	Frank	.....	D14/239
D822,671 S *	7/2018	Chu	.....	D14/452
D843,379 S *	3/2019	Lindo	.....	D14/452
D843,380 S *	3/2019	Lindo	.....	D14/452
D847,823 S *	5/2019	Monsalve	.....	D14/452

(Continued)

**FOREIGN PATENT DOCUMENTS**

CN	301294828	*	7/2010
CN	304476238	*	1/2018

(Continued)

**OTHER PUBLICATIONS**

Wayfair. Link: <https://www.wayfair.com/school-furniture-and-supplies/pdp/grand-stands-academy-series-monitor-arm-height-adjustable-universal-desk-mount-dnsn1013.html>. Visited Jun. 9, 2021. Academy Series Monitor Arm Height Adjustable Universal Desk Mount. (Year: 2021).\*

(Continued)

*Primary Examiner* — Lauren D McVey

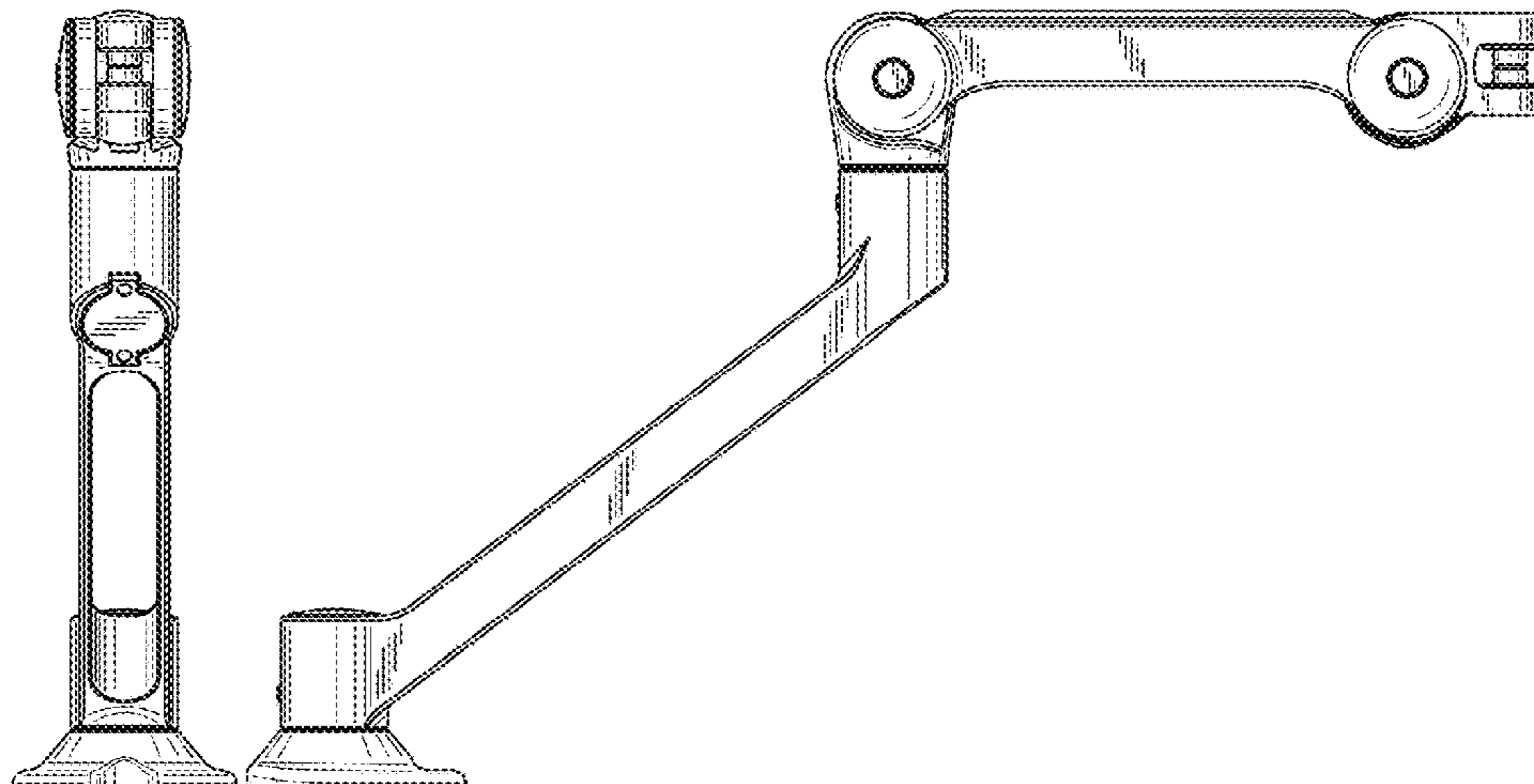
(57) **CLAIM**

The ornamental design for a monitor and keyboard support arm, as shown and described.

**DESCRIPTION**

FIG. 1 is an upper right front perspective view of a monitor and keyboard support arm showing our new design with additional environment;  
 FIG. 2 is a front elevation view thereof;  
 FIG. 3 is a left side elevation view thereof;  
 FIG. 4 is a rear elevation view thereof;  
 FIG. 5 is a bottom plan view thereof;  
 FIG. 6 is a top plan view thereof;  
 FIG. 7 is an upper right front perspective view of the monitor and keyboard support arm, with additional environment removed for clarity;  
 FIG. 8 is a front elevation view thereof;  
 FIG. 9 is a left side elevation view thereof;  
 FIG. 10 is a rear elevation thereof;  
 FIG. 11 is a bottom plan view thereof; and,  
 FIG. 12 is a top plan view thereof.  
 The broken lines immediately adjacent to the claim in FIGS. 5 and 11 depict the bounds of the claimed design, while all other broken lines are directed to environment. The broken lines form no part of the claimed design.

**1 Claim, 6 Drawing Sheets**



(56)

**References Cited**

U.S. PATENT DOCUMENTS

D875,105 S \* 2/2020 Xiang ..... D14/452  
D916,709 S \* 4/2021 Hung ..... D14/452  
2020/0067290 A1\* 2/2020 Hung ..... F16M 11/048  
2020/0246110 A1\* 8/2020 Pichler ..... F16M 13/022

FOREIGN PATENT DOCUMENTS

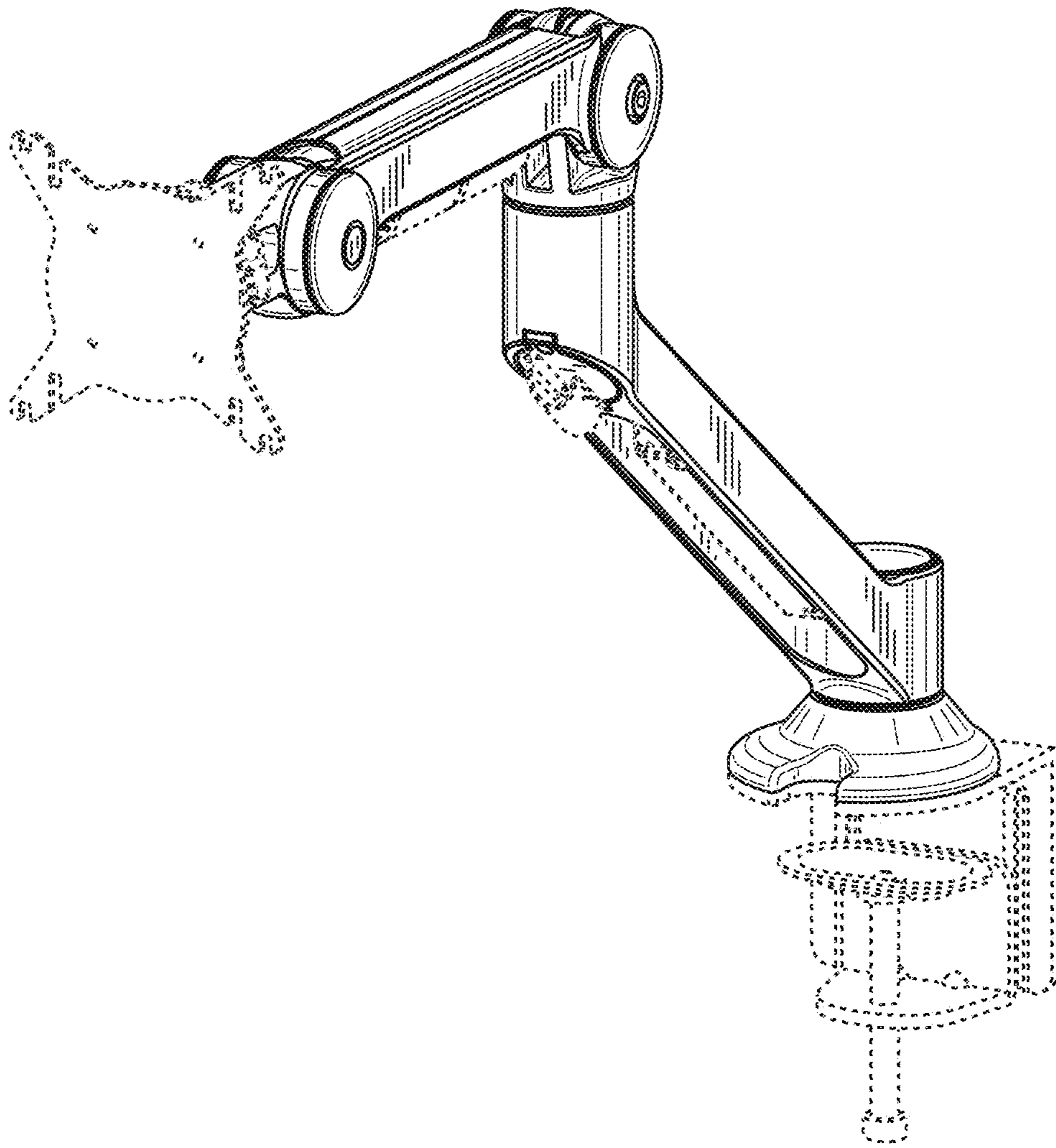
WO WO-0190631 A1 \* 11/2001 ..... F16M 11/2064  
WO WO-2018229545 A1 \* 12/2018 ..... F16M 13/022

OTHER PUBLICATIONS

Lenovo. Link: <https://www.lenovo.com/us/en/accessories-and-monitors/stands-arms-and-mounts/arms/MECH-BO-Lenovo-Adjustable-Height-Arm/p/4XF0H70603>. Visited Jun. 9, 2021. Lenovo Adjustable Height Arm. (Year: 2021).\*

Relax the back. Link: <https://relaxtheback.com/products/humanscale-monitor-armworkstation-accessories#>. Visited Jun. 9, 2021. Humanscale monitor armworkstation. (Year: 2021).\*

\* cited by examiner



**FIG. 1**

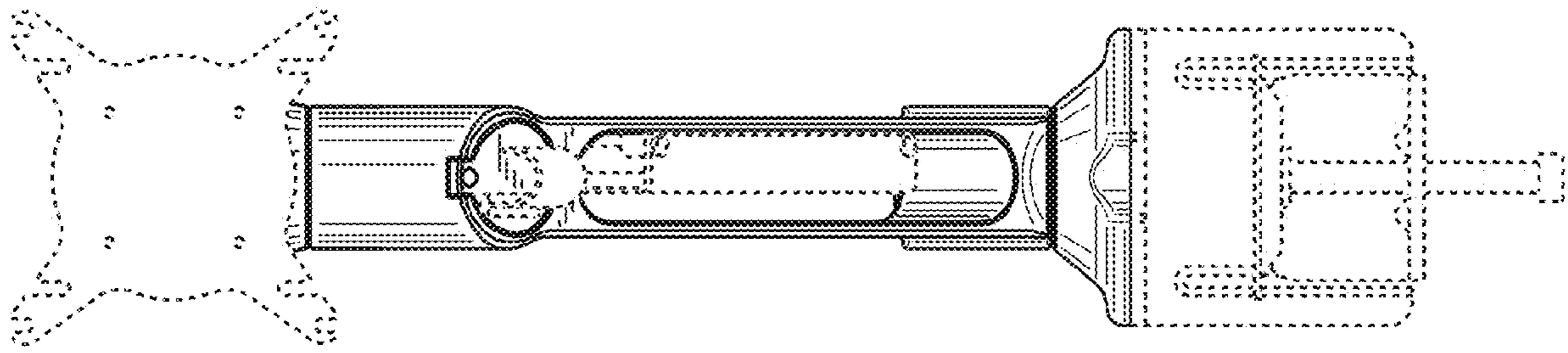


FIG. 2

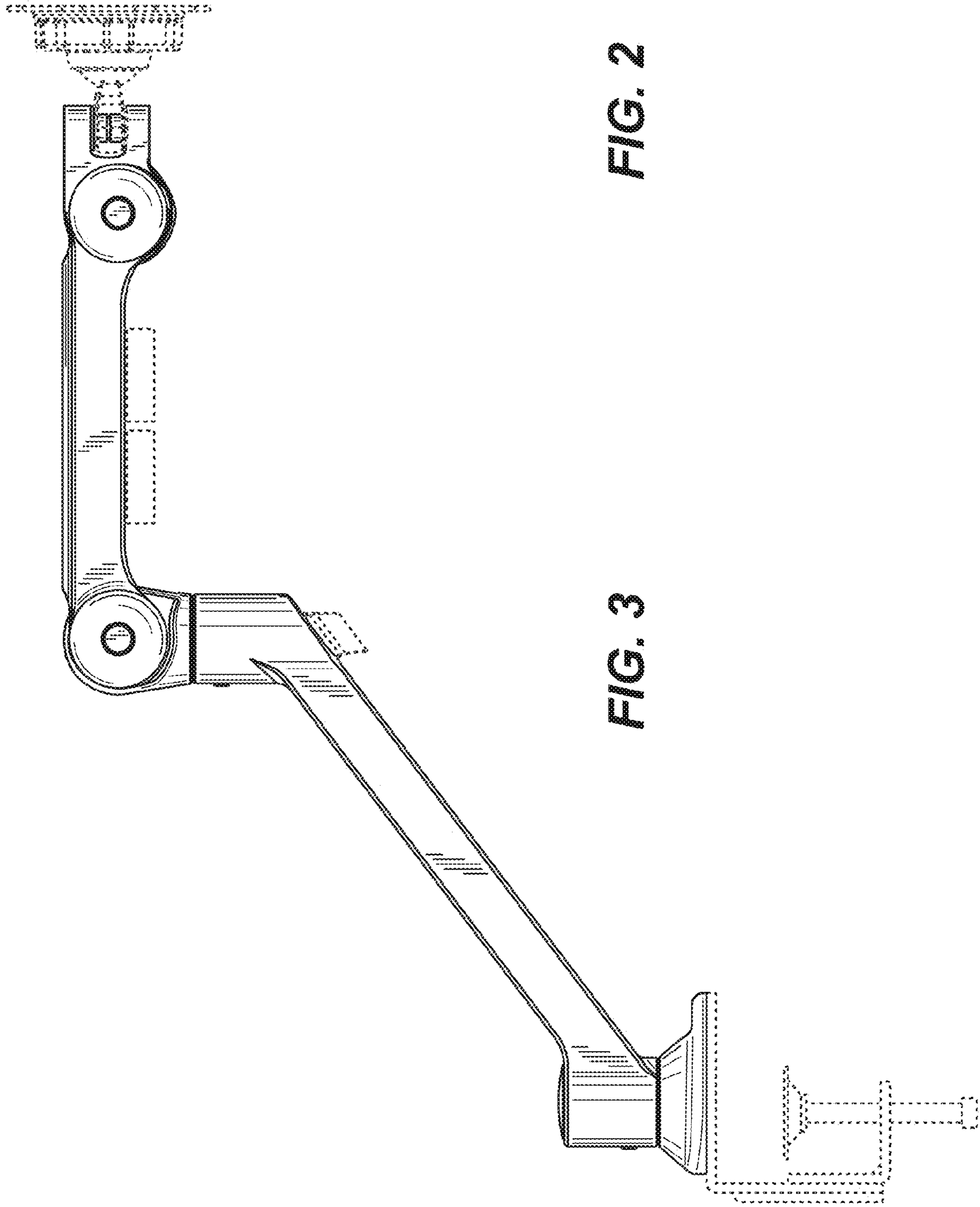
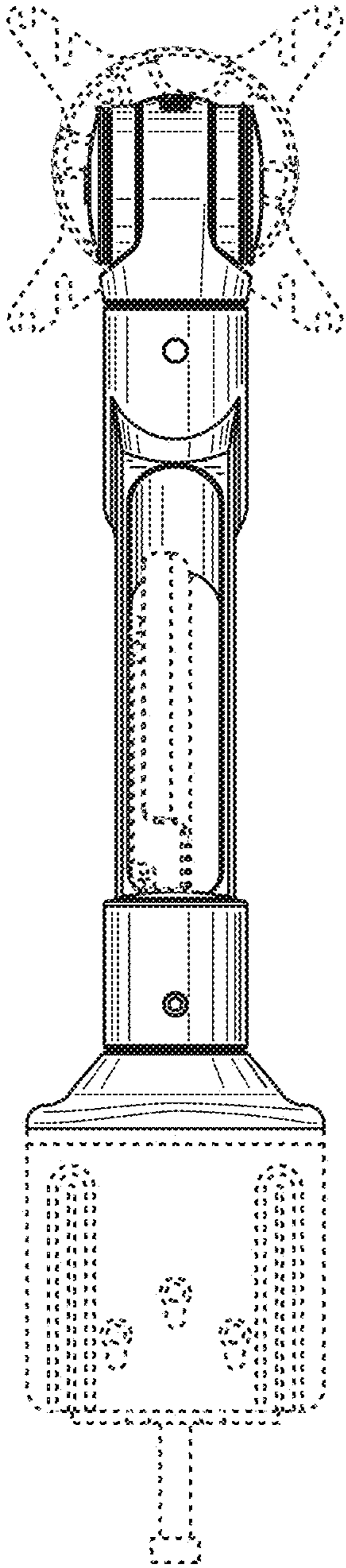
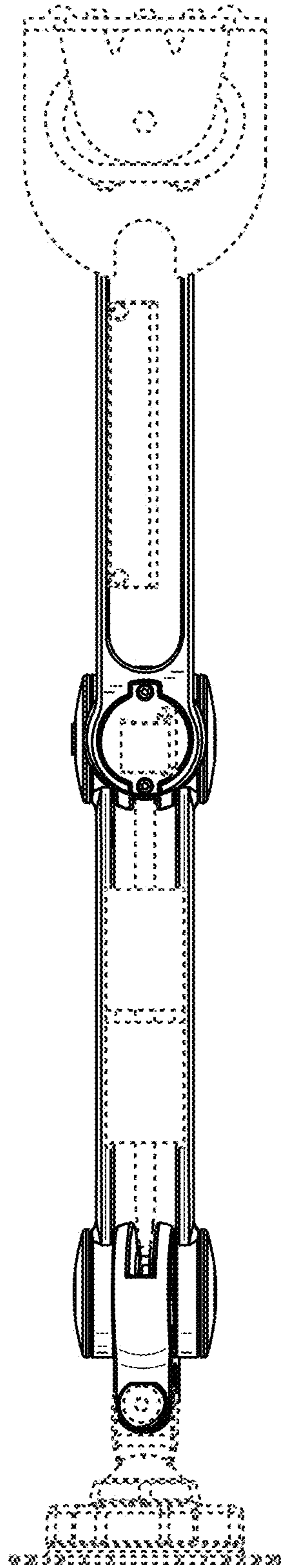


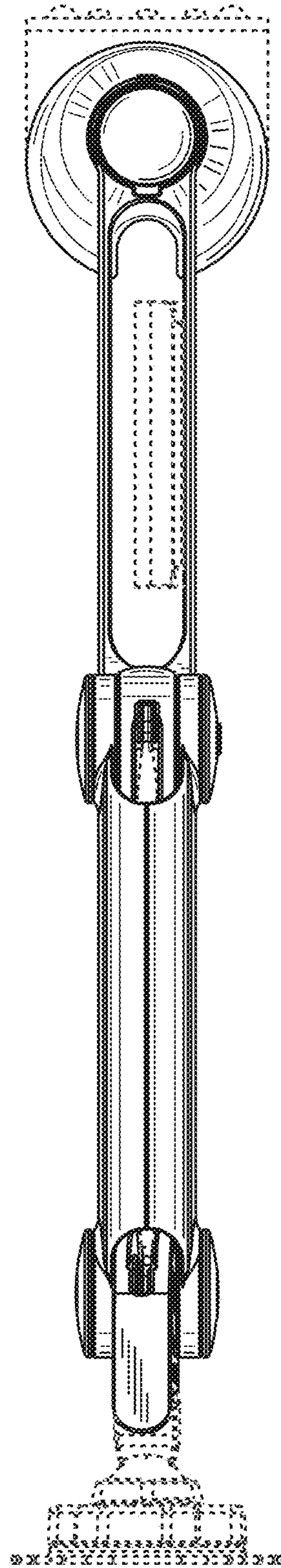
FIG. 3



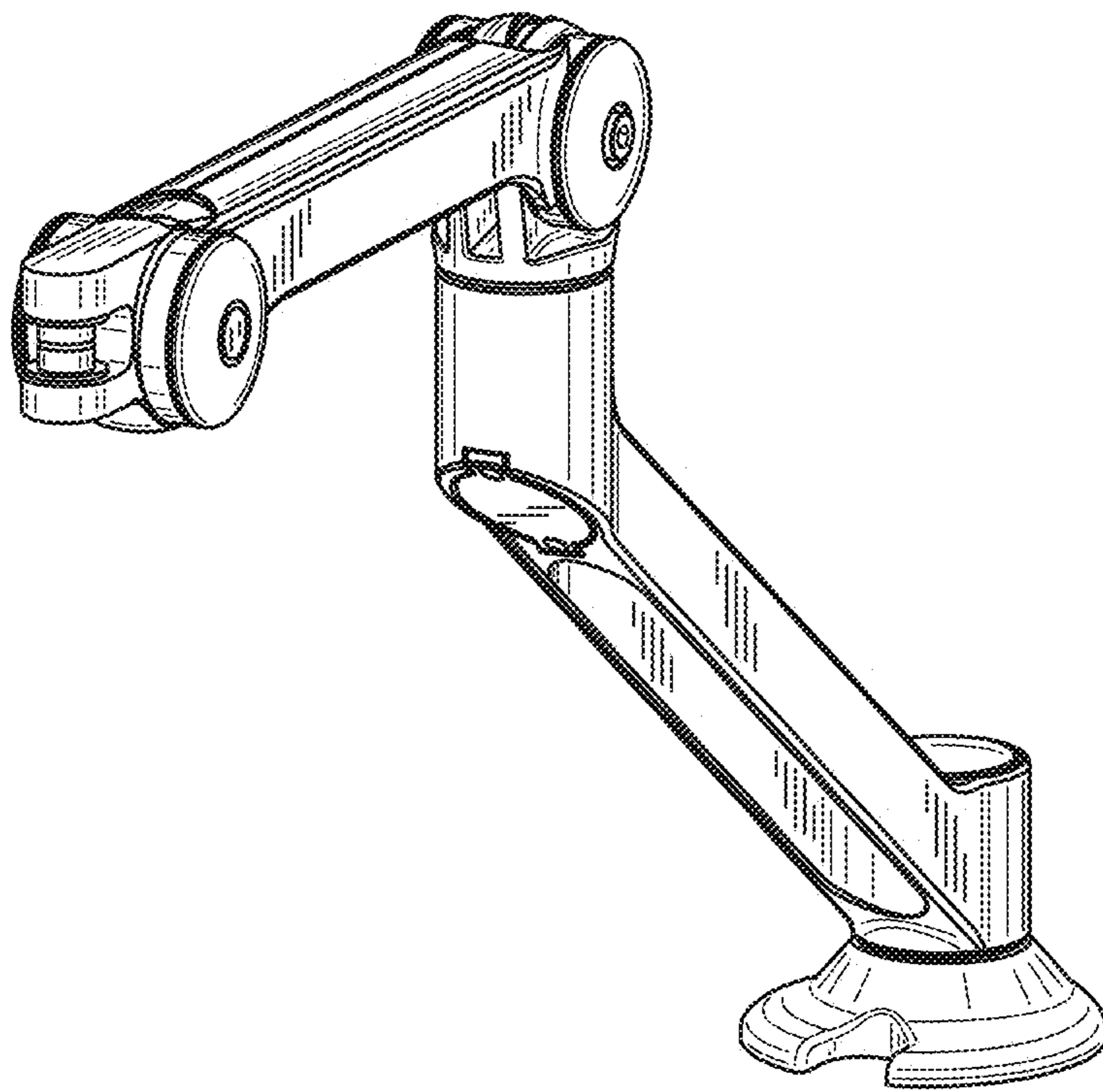
**FIG. 4**



**FIG. 5**



**FIG. 6**



**FIG. 7**

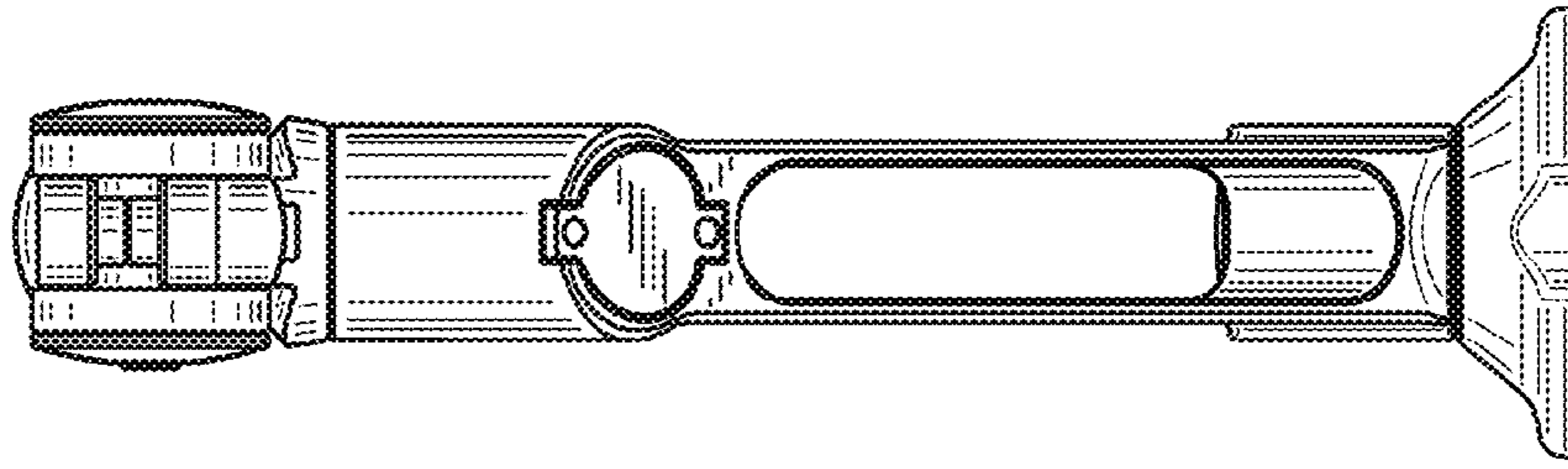


FIG. 8

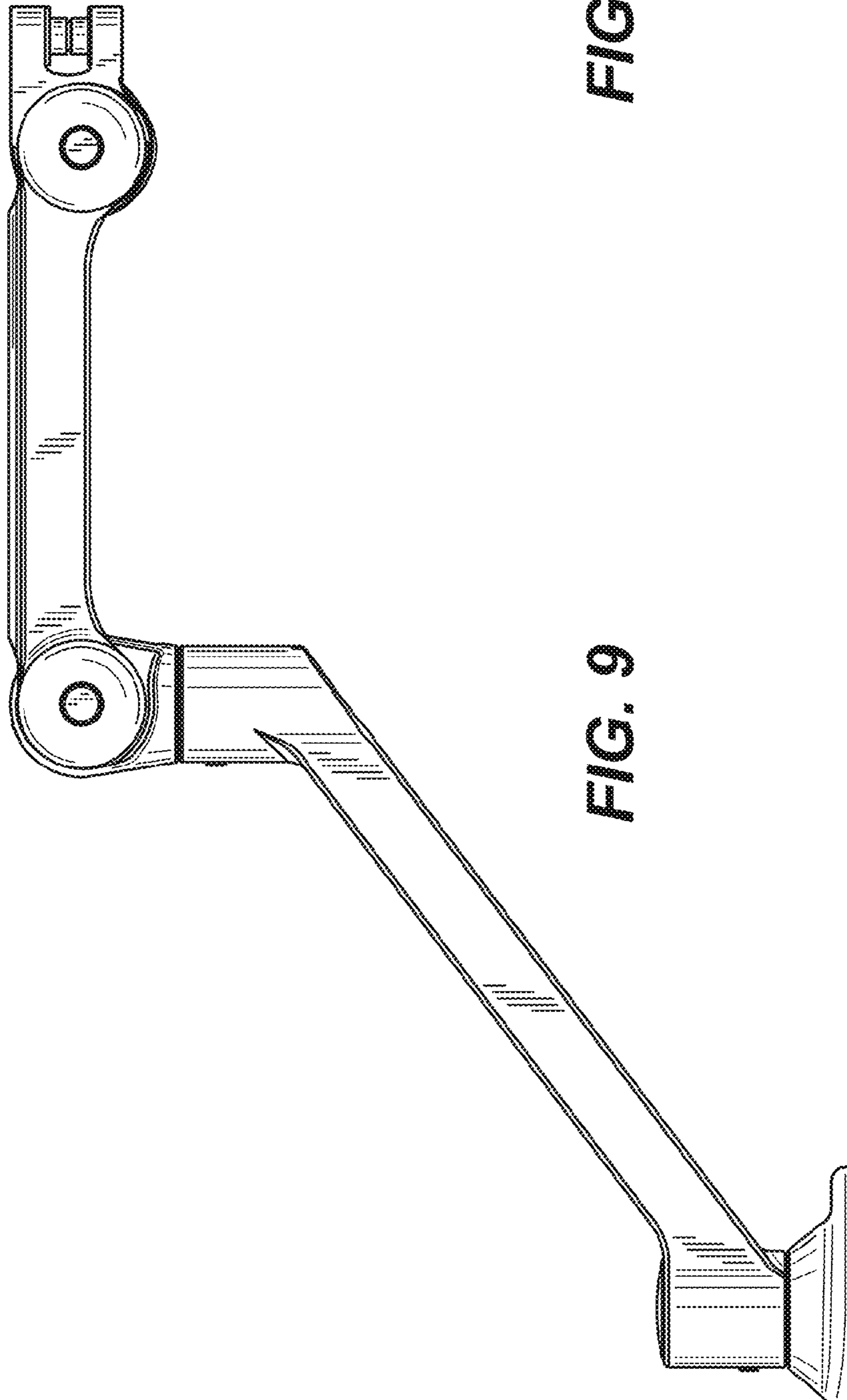
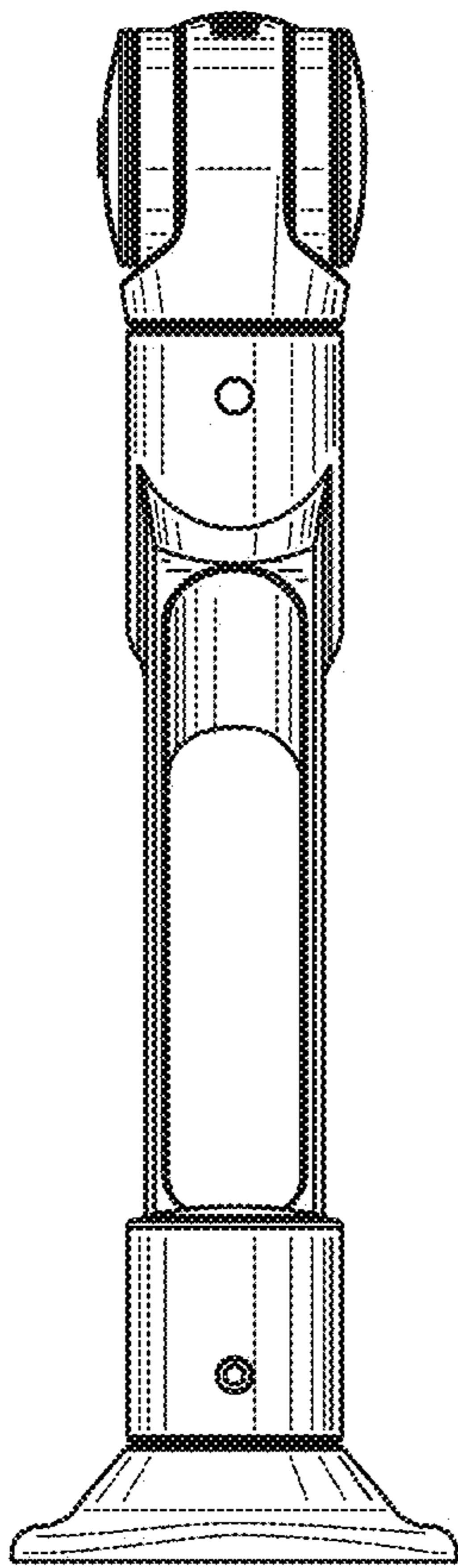
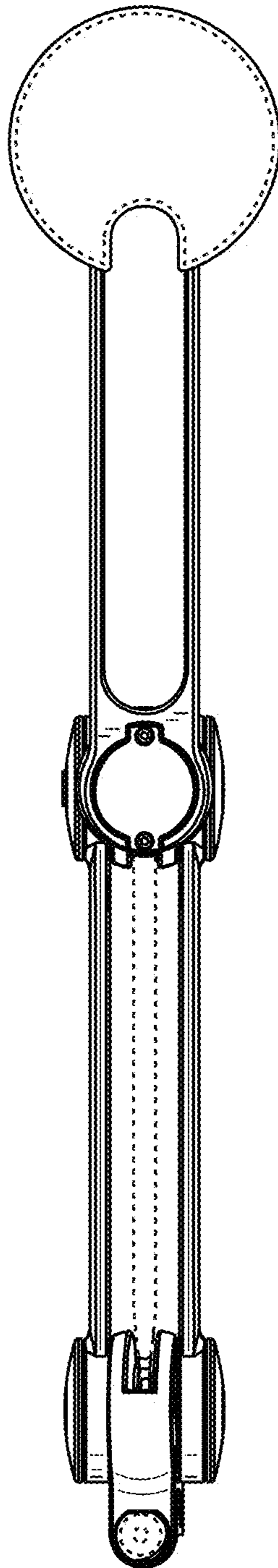


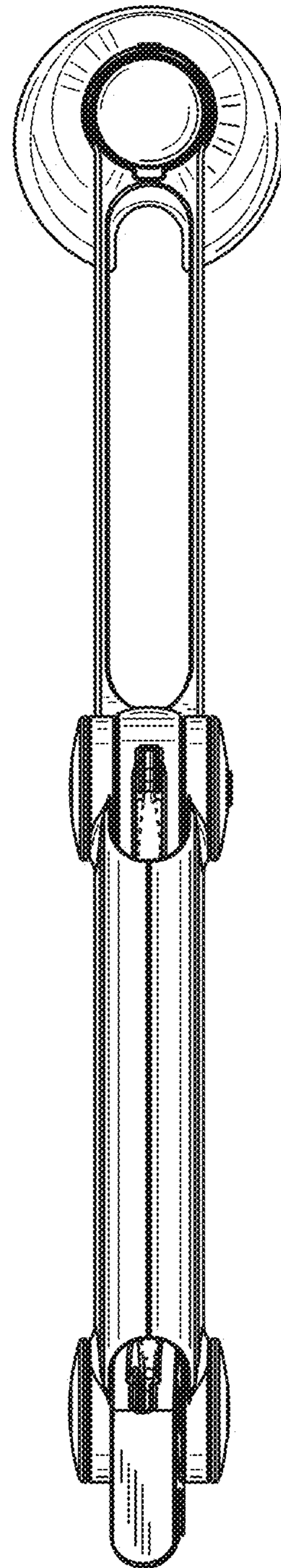
FIG. 9



**FIG. 10**



**FIG. 11**



**FIG. 12**