



US00D931291S

(12) **United States Design Patent** (10) **Patent No.:** **US D931,291 S**
Lye (45) **Date of Patent:** **** *Sep. 21, 2021**

(54) **TABLET COMPUTER STAND**
(71) Applicant: **RAIN DESIGN, INC.**, Berkeley, CA (US)
(72) Inventor: **Kok Hong Lye**, Singapore (SG)
(73) Assignee: **RAIN DESIGN, INC.**, Berkeley, CA (US)
(*) Notice: This patent is subject to a terminal disclaimer.
(**) Term: **15 Years**
(21) Appl. No.: **35/502,436**
(22) Filed: **Aug. 6, 2016**
(80) **Hague Agreement Data**
Int. Filing Date: **Aug. 6, 2016**
Int. Reg. No.: **DM/094538**
Int. Reg. Date: **Aug. 6, 2016**
Int. Reg. Pub. Date: **Feb. 10, 2017**
(51) **LOC (13) Cl.** **14-02**
(52) **U.S. Cl.**
USPC **D14/447**
(58) **Field of Classification Search**
USPC D14/125-129, 137, 138 AA, 138 AB, D14/138 G, 138 C, 138 R, 154, 159-165, D14/167, 168, 170-172, 188, 192, 194, D14/203.1, 203.3, 203.4, 203.7, 204, 205, D14/207, 214-216, 223, 224, 238.1, 239, D14/248, 250, 251, 253, 308, 317, 331, D14/336, 337, 341-347, 371-377, 388, D14/389, 420, 432, 439, 440, 447, 448, D14/451, 452, 457, 496; D6/308, 310, D6/406.1-406.6, 601; D10/104.1, 50, 65; D21/329-332; D13/108
CPC G06F 1/1601; G06F 1/1605; G06F 1/162; G06F 1/1613; G06F 1/1647; G06F 1/1641; G06F 1/1616; G06F 1/1652; G06F 3/04883; G06F 3/0486; G06F 3/0487; G06F 3/0484; H04M 1/0214; H04R 1/02; H04R 5/00; H04R 9/06; G08B 21/0288; G08B 21/02; F16M 11/00
See application file for complete search history.

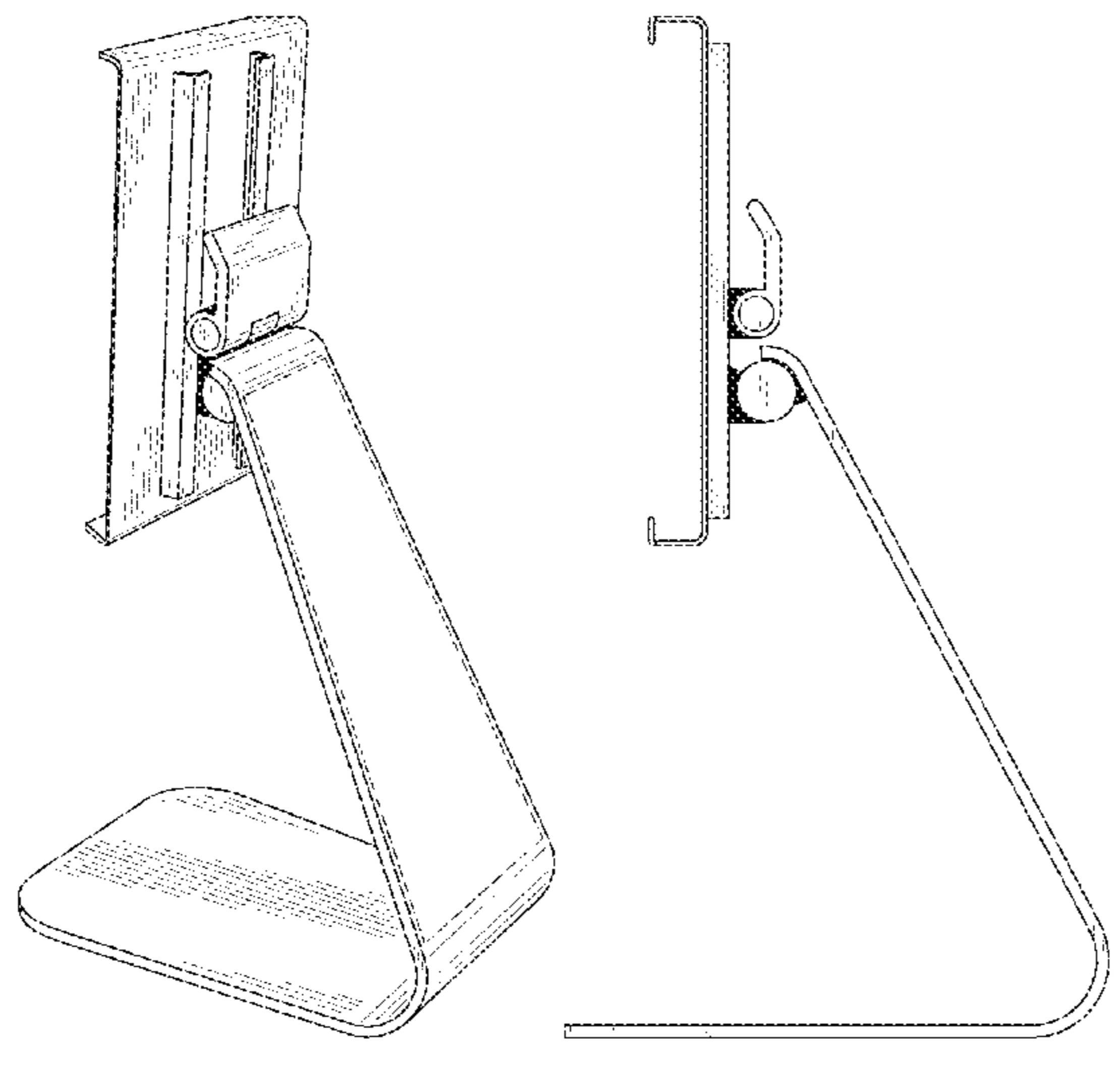
(56) **References Cited**
U.S. PATENT DOCUMENTS
D614,613 S * 4/2010 Kim D14/253
D640,247 S * 6/2011 Baumann D14/253
D649,153 S * 11/2011 Symons D14/447
D650,372 S * 12/2011 Molter D14/239
D650,774 S * 12/2011 Molter D14/239
D687,036 S * 7/2013 Seong D14/374
D689,478 S * 9/2013 Wikel D14/253
D703,213 S * 4/2014 Gifford D14/447
(Continued)

OTHER PUBLICATIONS
MStand tablet Pro 12.9", announced Nov. 2016 [online], [site visited Feb. 2, 2018]. Available from Internet, URL: <https://wzorniki.eu/rain-design-mstand-tablet-pro-12-9-space-gray>.*
(Continued)
Primary Examiner — Dana K Weiland
(74) *Attorney, Agent, or Firm* — EcoTech Law Group, P.C.

(57) **CLAIM**
The ornamental design for a tablet computer stand, as shown and described.

DESCRIPTION
1. Tablet computer stand
1.1 : Upper right perspective view
1.2 : Front elevational view
1.3 : Right side elevational view
1.4 : Rear elevational view
1.5 : Top plan view
1.6 : Bottom plan view
The dashed broken lines and the areas colored solid black show portions of the tablet computer stand that form no part of the claimed design.

1 Claim, 6 Drawing Sheets



(56)

References Cited

U.S. PATENT DOCUMENTS

D703,676 S * 4/2014 Smith D14/447
 D718,298 S * 11/2014 Aspinall D14/253
 D733,697 S * 7/2015 Palan D14/253
 9,103,487 B2 * 8/2015 Hale F16M 13/022
 D738,873 S * 9/2015 Kim D14/253
 D756,367 S * 5/2016 Kim D14/447
 D759,002 S * 6/2016 Won D14/239
 9,527,456 B2 * 12/2016 Ackeret B60R 11/02
 D782,490 S * 3/2017 Lee D14/447
 D789,348 S * 6/2017 Kim D14/253
 D791,861 S * 7/2017 Battle D14/447
 D807,373 S * 1/2018 Thetard D14/452
 D816,027 S * 4/2018 Chen D13/108
 D829,725 S * 10/2018 Luo D14/447
 D840,997 S * 2/2019 Chen D14/253
 D842,305 S * 3/2019 Gao D14/447
 D874,452 S * 2/2020 Chen D14/252
 10,563,812 B2 * 2/2020 Chen F16B 1/00
 D884,711 S * 5/2020 Zhang D14/447

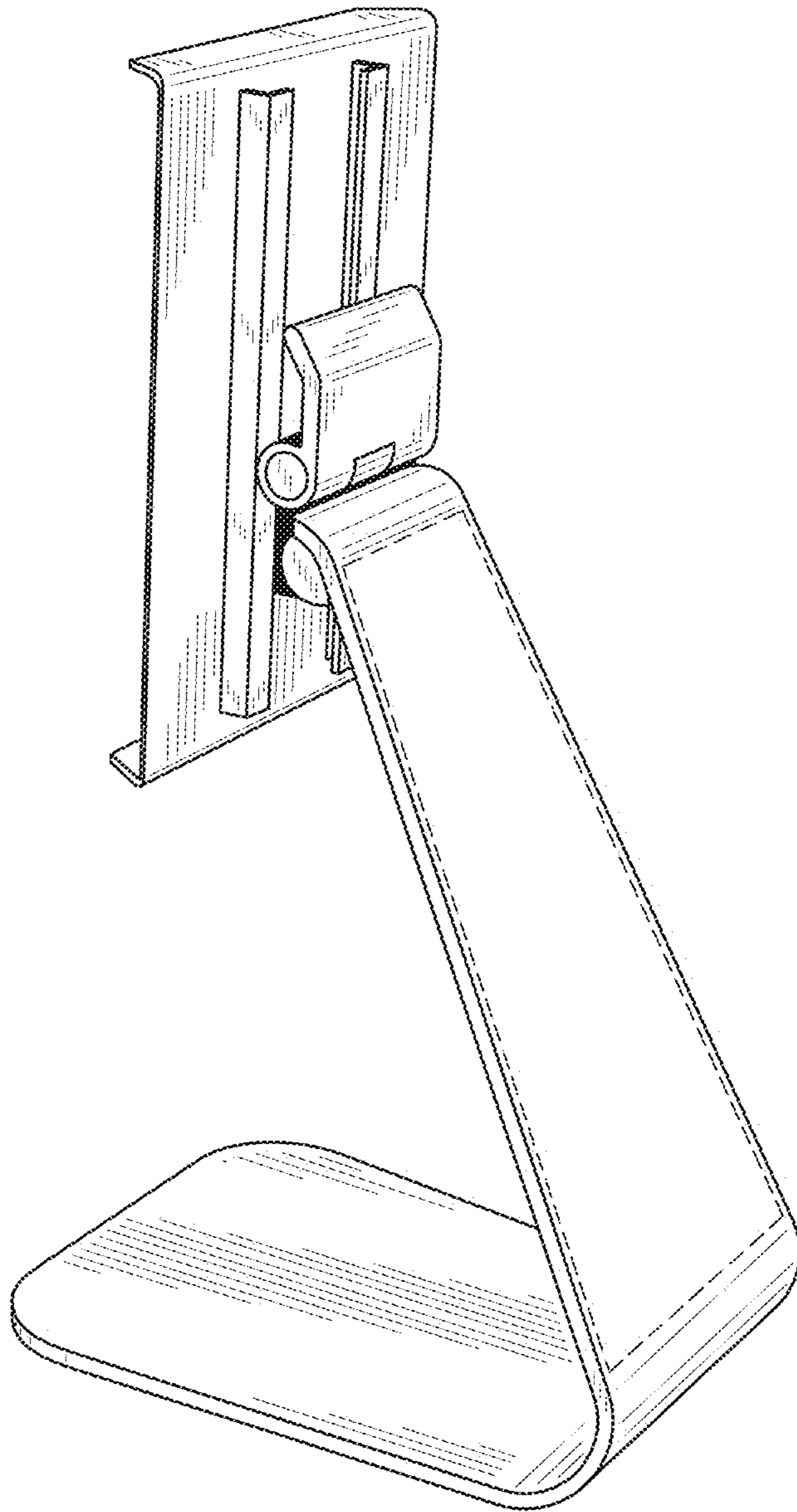
D898,017 S * 10/2020 Zhang D14/253
 D900,117 S * 10/2020 Soto D14/447
 D903,689 S * 12/2020 Zheng D14/447
 D904,387 S * 12/2020 Zhang D14/253
 D905,686 S * 12/2020 Zhang D14/253
 D907,628 S * 1/2021 Feng D14/253
 D912,654 S * 3/2021 Weng D14/253
 D912,680 S * 3/2021 Zheng D14/447
 2004/0256535 A1 * 12/2004 Desch A47B 23/042
 248/460
 2010/0213335 A1 * 8/2010 Peng B60R 11/02
 248/276.1

OTHER PUBLICATIONS

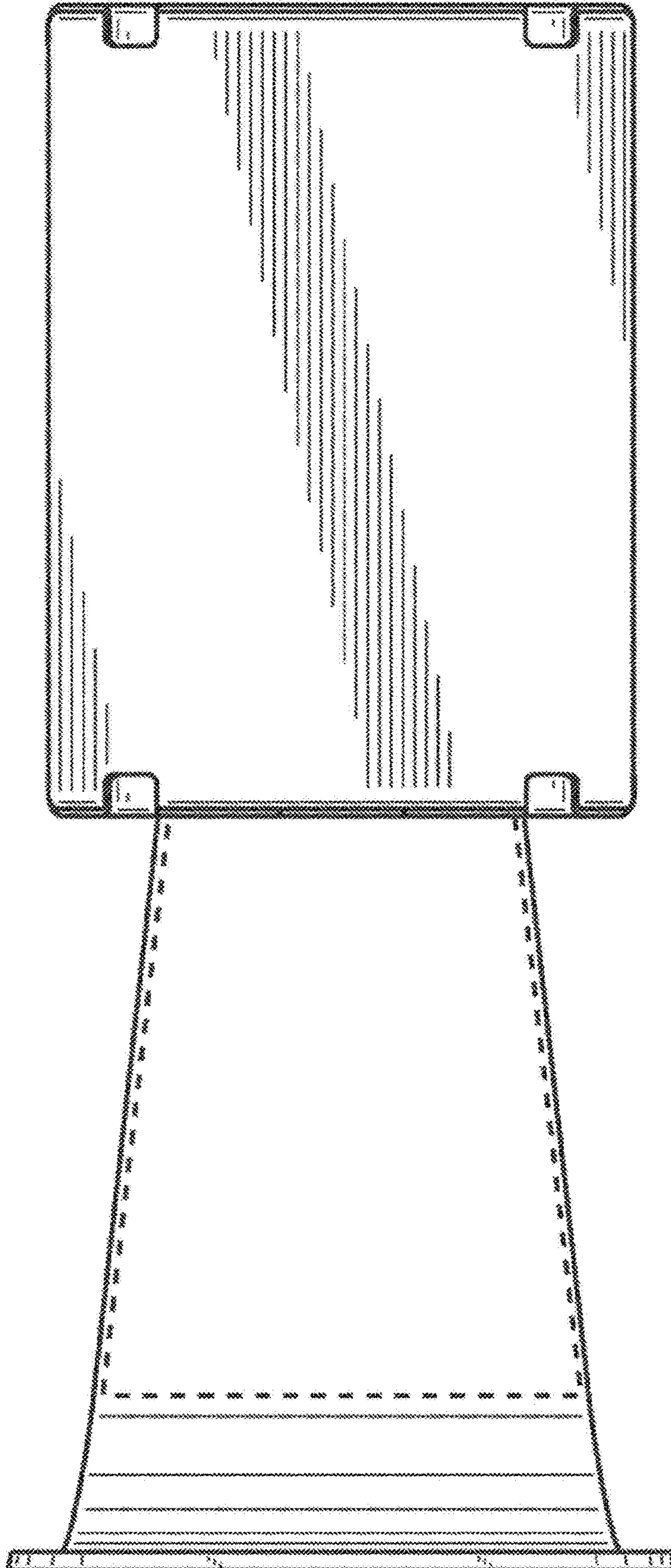
Rain Design mStand iPad , announced Dec. 18, 2016 [online], [site visited Feb. 2, 2018]. Available from Internet, URL:<https://www.amazon.com/Rain-Design-mStand-iPhone-Stand/dp/B01F05G1JS/ref=cm_cr_arp_d_product_top?ie=UTF8>.*

* cited by examiner

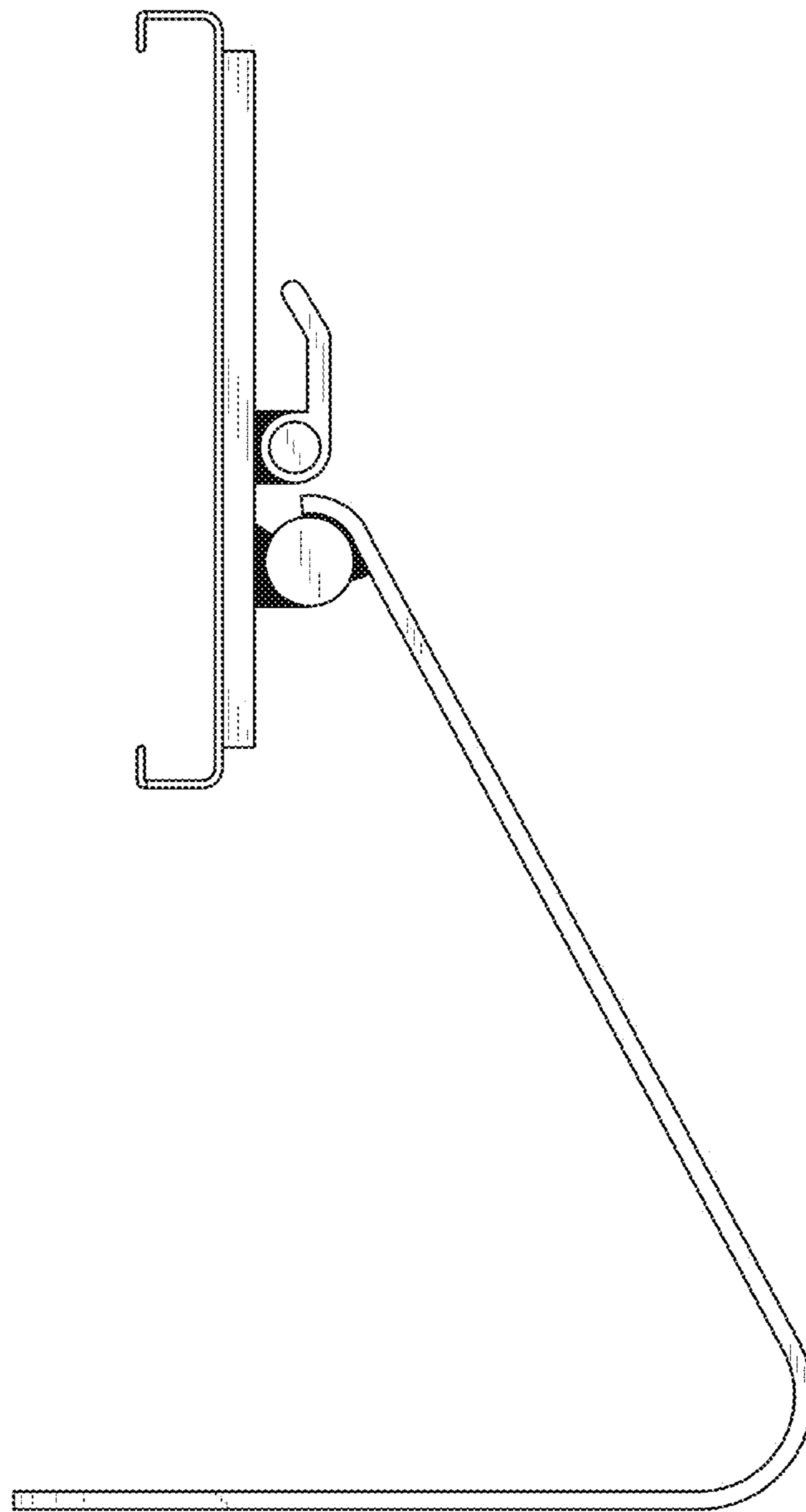
1.1



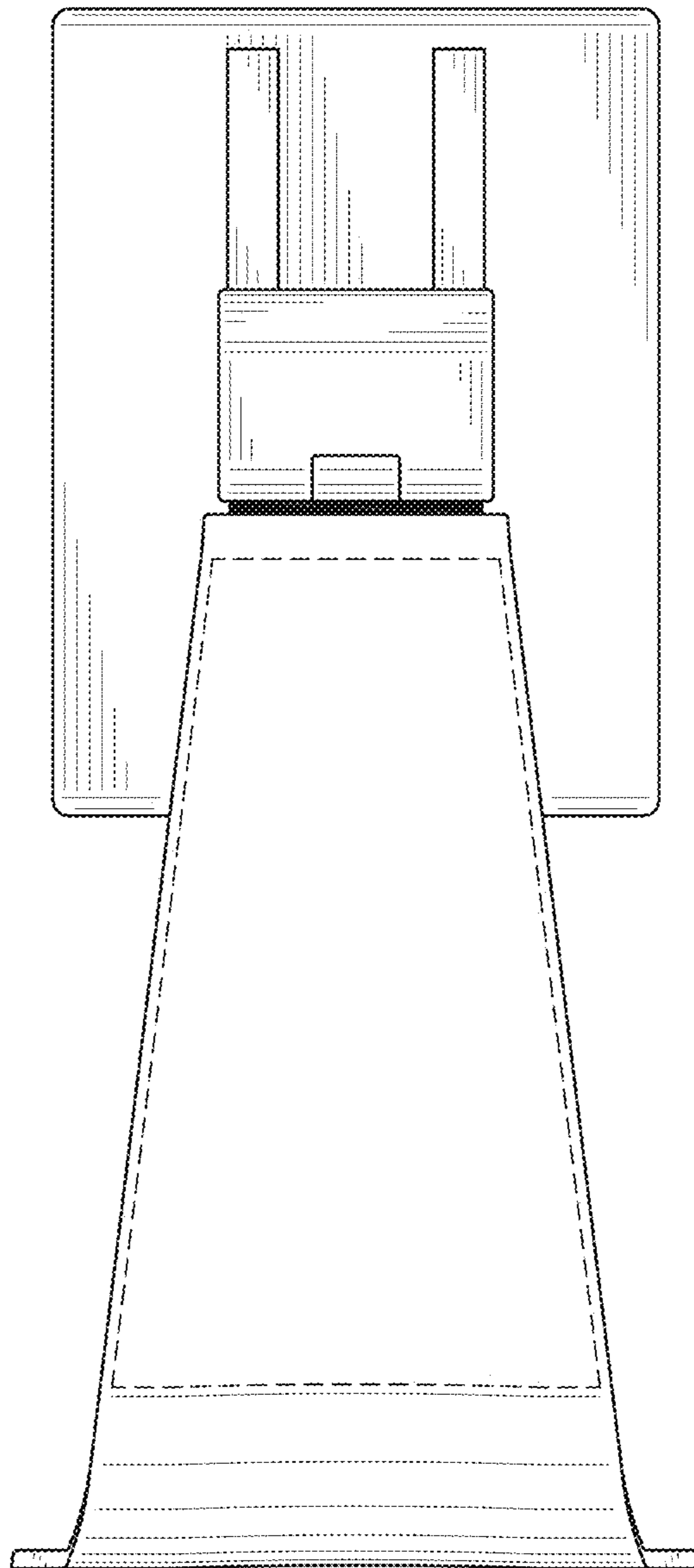
1.2



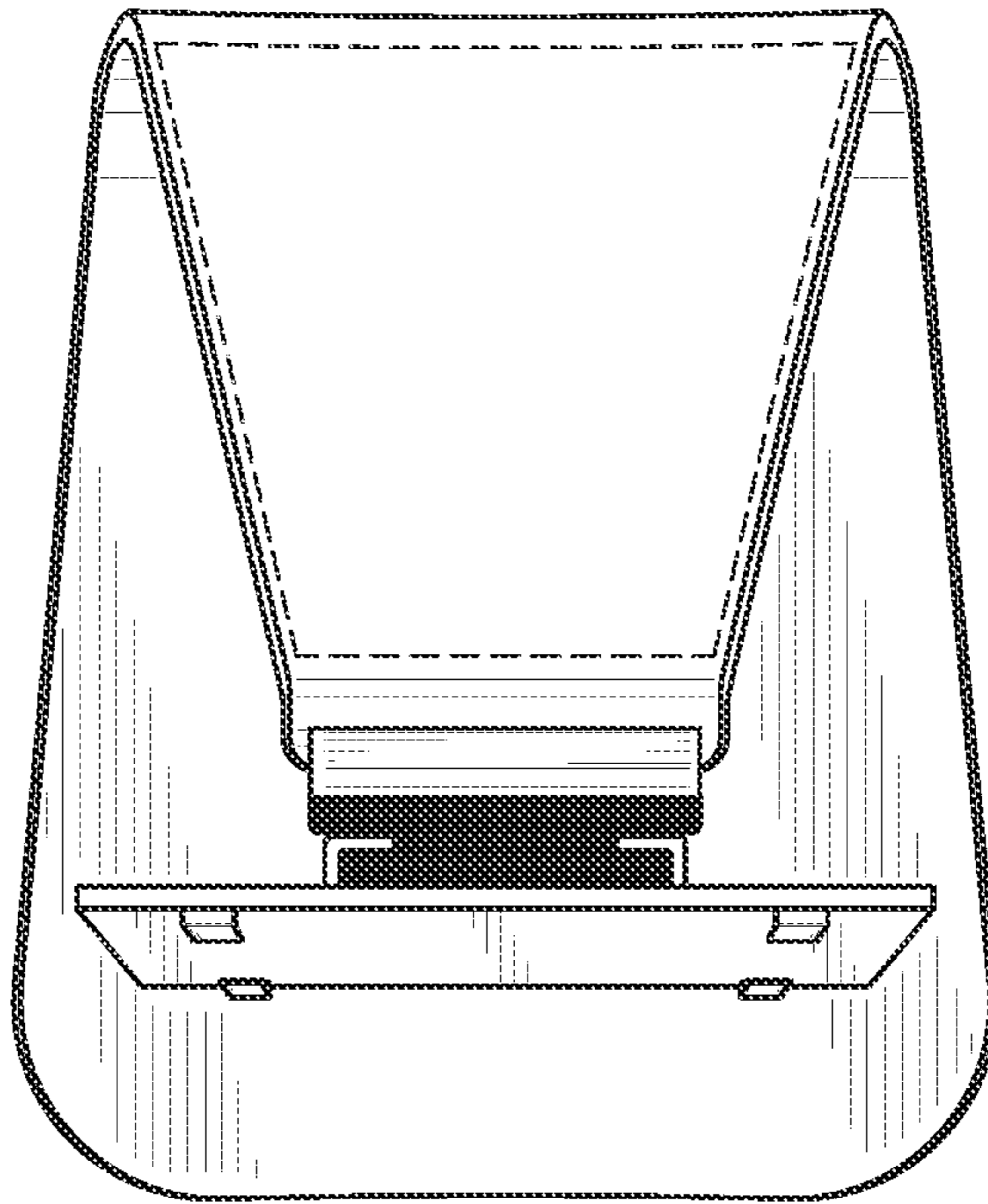
1.3



1.4



1.5



1.6

