



US00D931290S

(12) **United States Design Patent** (10) **Patent No.:** **US D931,290 S**
Wengreen et al. (45) **Date of Patent:** **** Sep. 21, 2021**

(54) **MOUNT FOR ELECTRONIC DEVICES**

(71) Applicant: **Innovelis, Inc.**, Sammamish, WA (US)

(72) Inventors: **Eric John Wengreen**, Sammamish, WA (US); **Ian Jacob van de Kamp**, Seattle, WA (US)

(73) Assignee: **Innovelis, Inc.**, Sammamish, WA (US)

(**) Term: **15 Years**

(21) Appl. No.: **29/762,283**

(22) Filed: **Dec. 15, 2020**

Related U.S. Application Data

(63) Continuation-in-part of application No. 29/760,790, filed on Dec. 3, 2020, and a continuation-in-part of application No. 29/760,789, filed on Dec. 3, 2020.

(51) **LOC (13) Cl.** **08-07**

(52) **U.S. Cl.**
USPC **D14/447**

(58) **Field of Classification Search**
USPC D14/447, 432, 434, 439, 440, 451, 452, D14/457, 239, 253; D8/363, 373, 380; D6/406.3, 406.4, 406.5, 406.6; D12/415
CPC A45C 2011/002; A45C 2011/003; F16M 2200/00; F16M 13/00; A47B 21/04; A47B 2097/006; A47B 2097/005; A47B 2023/049

See application file for complete search history.

(56) **References Cited**

U.S. PATENT DOCUMENTS

D590,404 S * 4/2009 Kim D14/447
D662,502 S * 6/2012 Wesolek D14/434

D703,675 S * 4/2014 Jensen D14/447
D765,064 S * 8/2016 Wengreen D14/238.1
D798,305 S * 9/2017 Wengreen D14/447
D798,873 S * 10/2017 Ng D14/447
D812,064 S * 3/2018 Wengreen D14/434
D813,241 S * 3/2018 Wengreen D14/434
D832,274 S * 10/2018 Wengreen D14/447
D834,029 S * 11/2018 Wengreen D14/447
D847,800 S * 5/2019 Wengreen D14/238.1
D847,801 S * 5/2019 Wengreen D14/238.1
D856,320 S * 8/2019 Li D14/253

* cited by examiner

Primary Examiner — Angela J Lee

(57) **CLAIM**

The ornamental design for a mount for electronic devices, as shown and described.

DESCRIPTION

FIG. 1 is a front, first side, and top perspective view of a mount for electronic devices embodying the new design; FIG. 2 is a back, second side, and bottom perspective view thereof;

FIG. 3 is a top, front, and second side perspective view thereof;

FIG. 4 is a front view thereof;

FIG. 5 is a back view thereof;

FIG. 6 is a top view thereof;

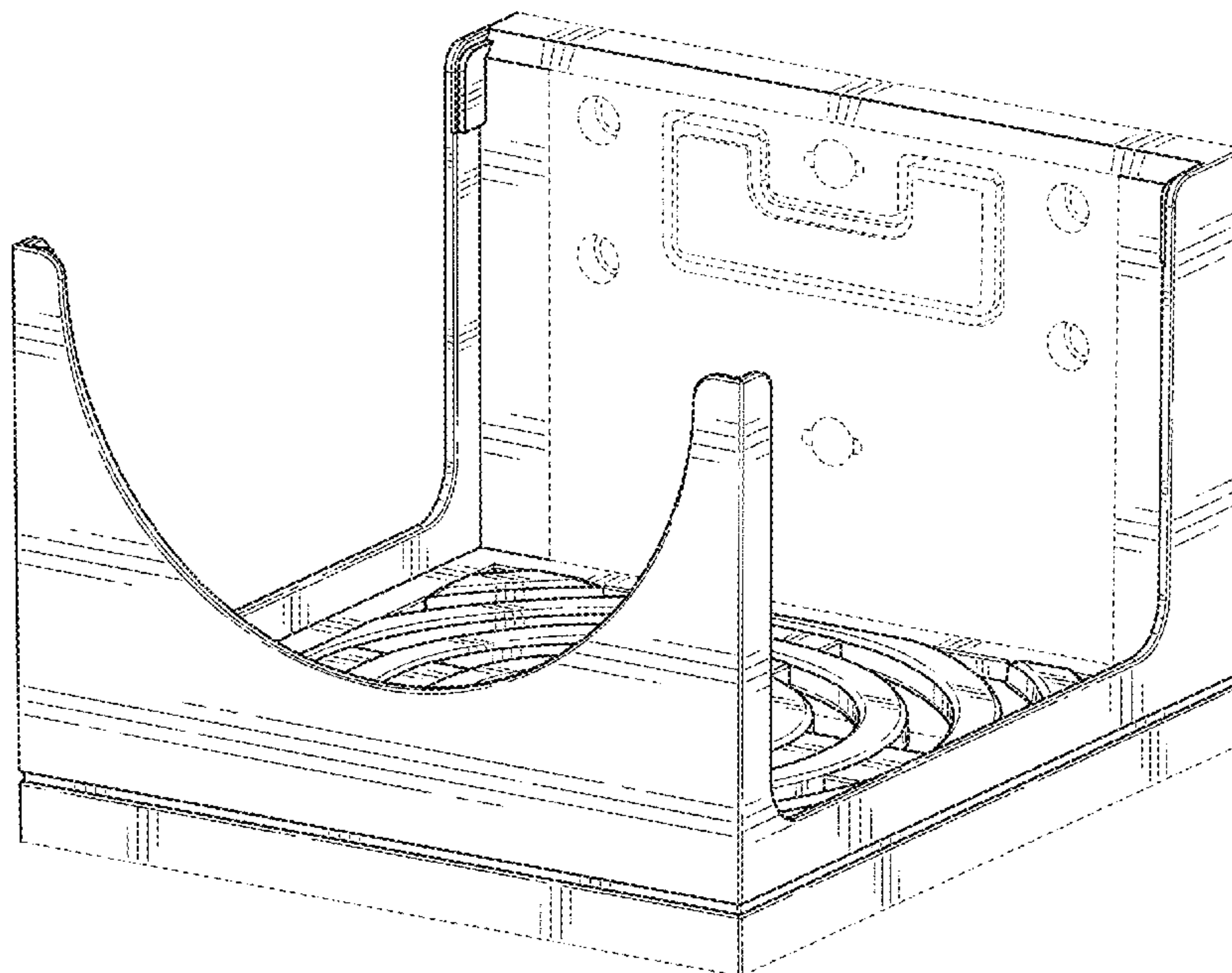
FIG. 7 is a bottom view thereof;

FIG. 8 is a first side view thereof; and,

FIG. 9 is a second side view thereof.

The uniform repeating broken lines depict portions of the mount for electronic devices that form no part of the claimed design. The broken lines immediately adjacent to the shaded surfaces are included to show unclaimed boundaries that form no part of the claimed design.

1 Claim, 9 Drawing Sheets



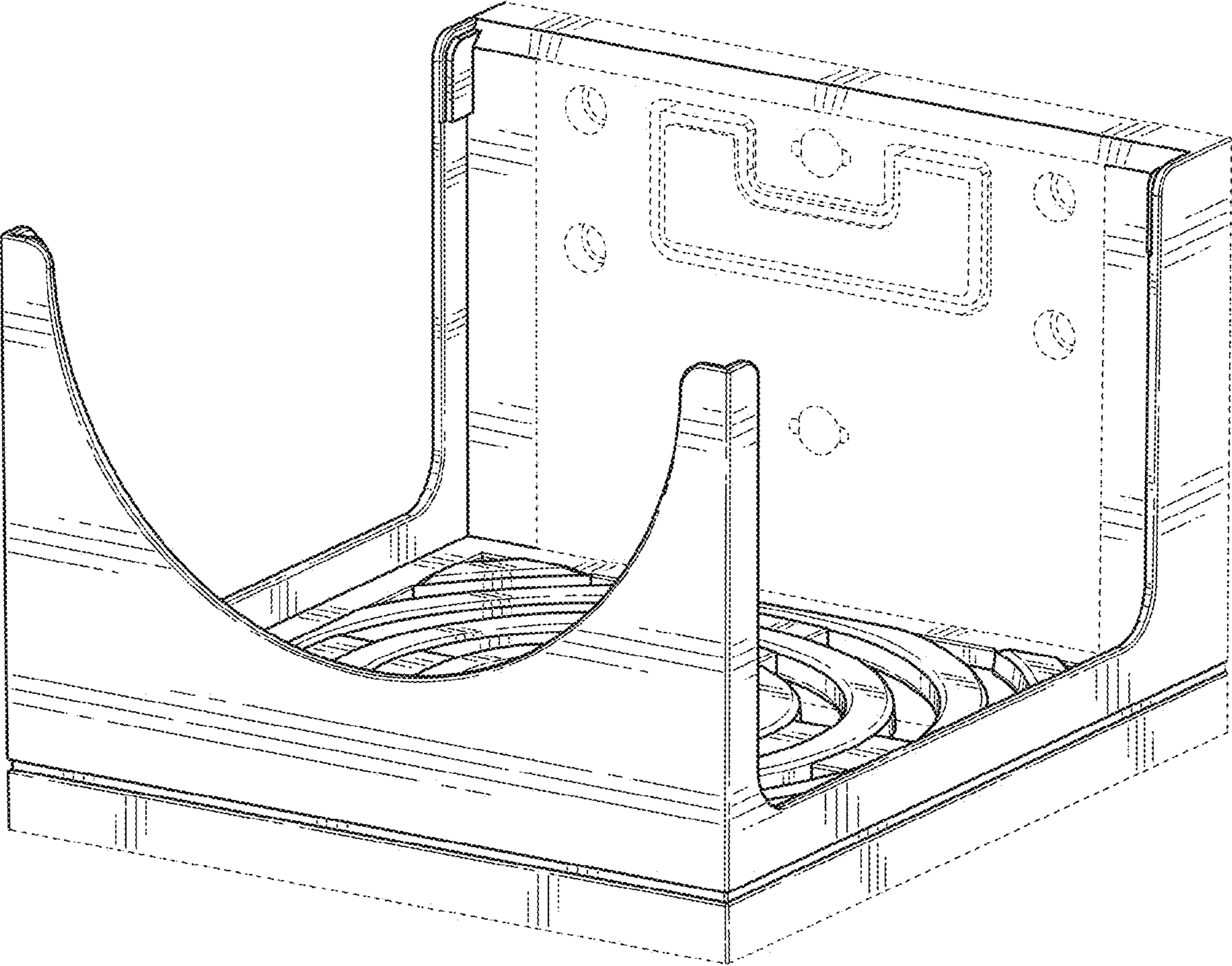


FIG. 1

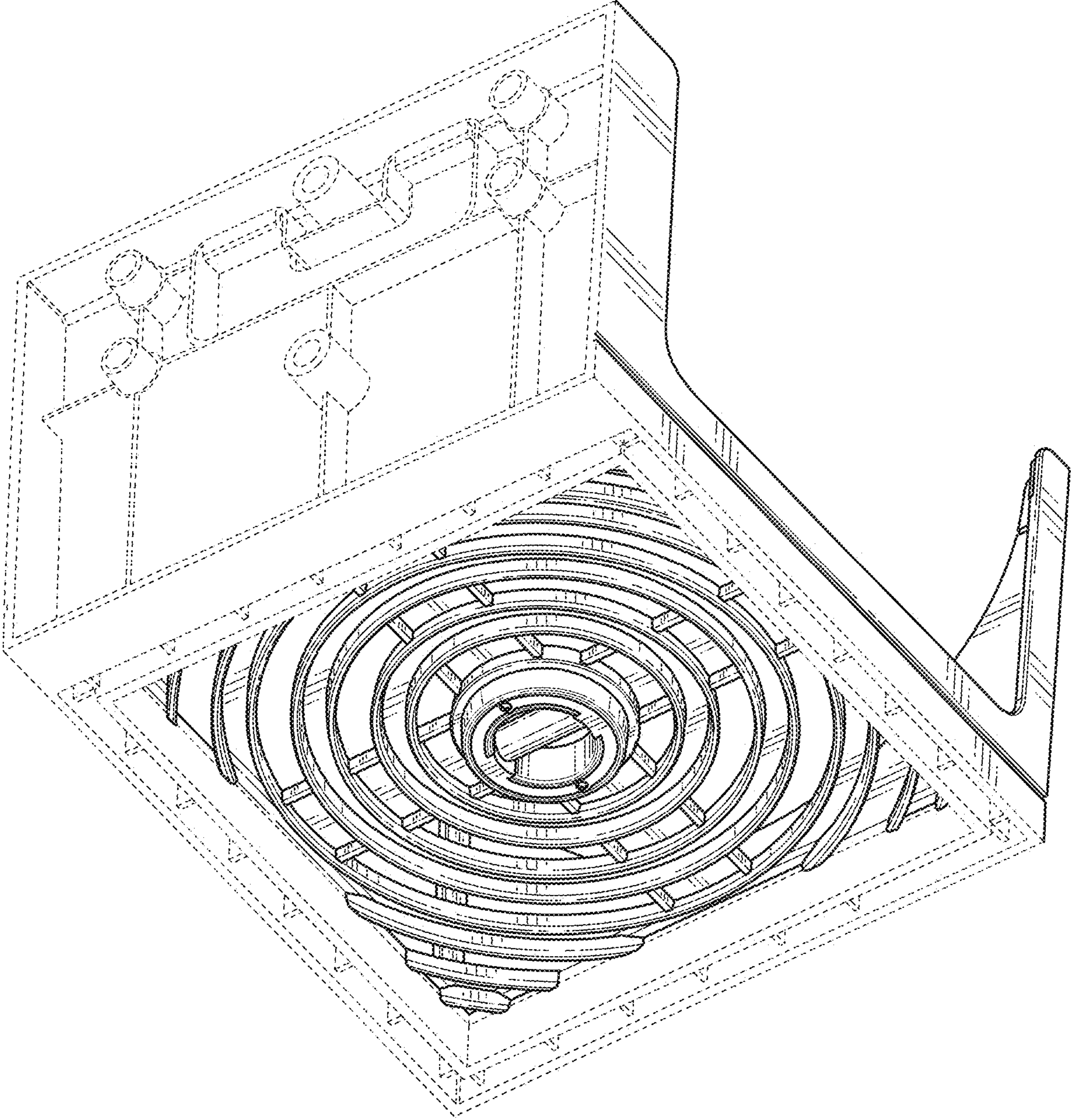


FIG. 2

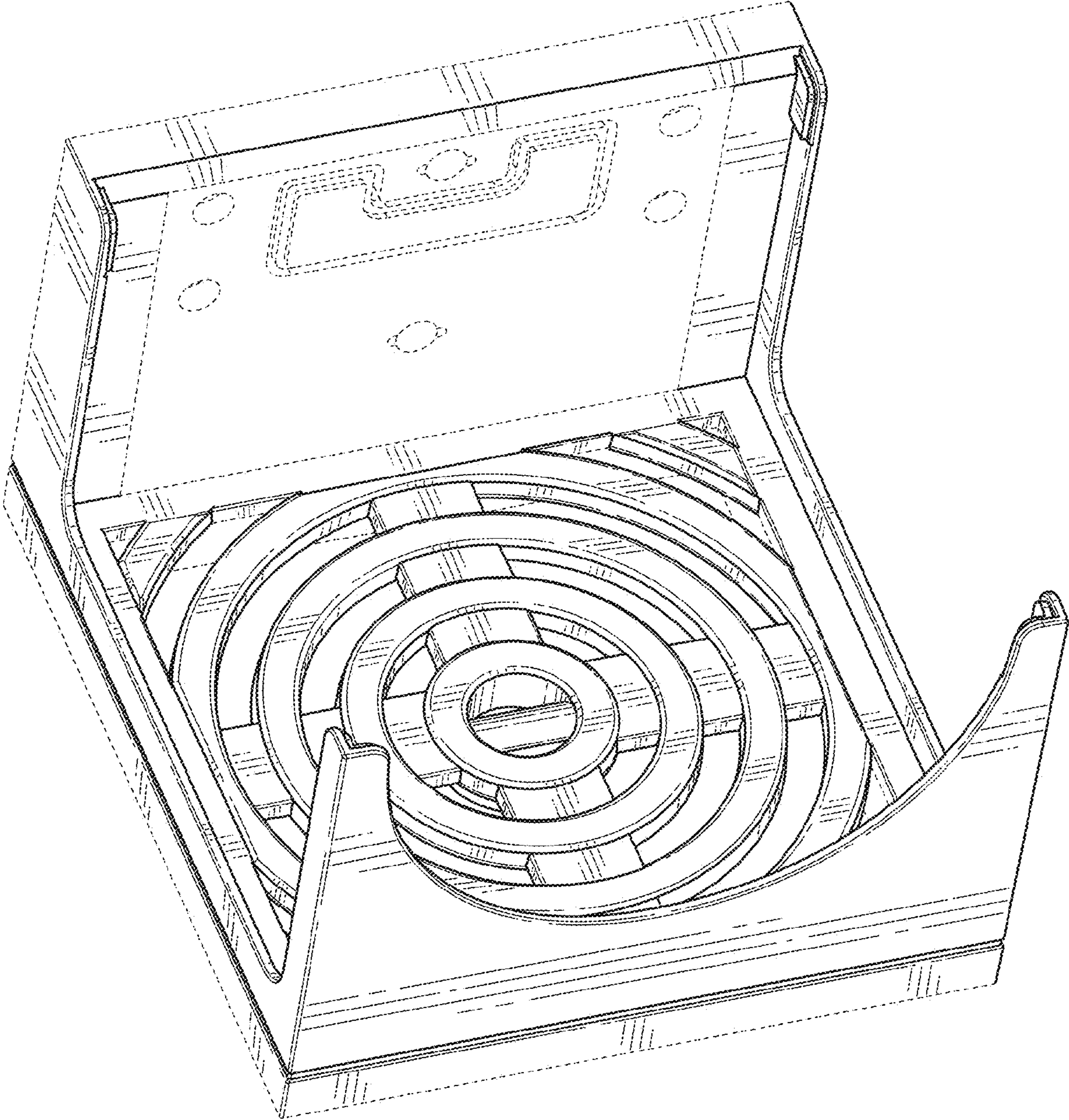


FIG. 3

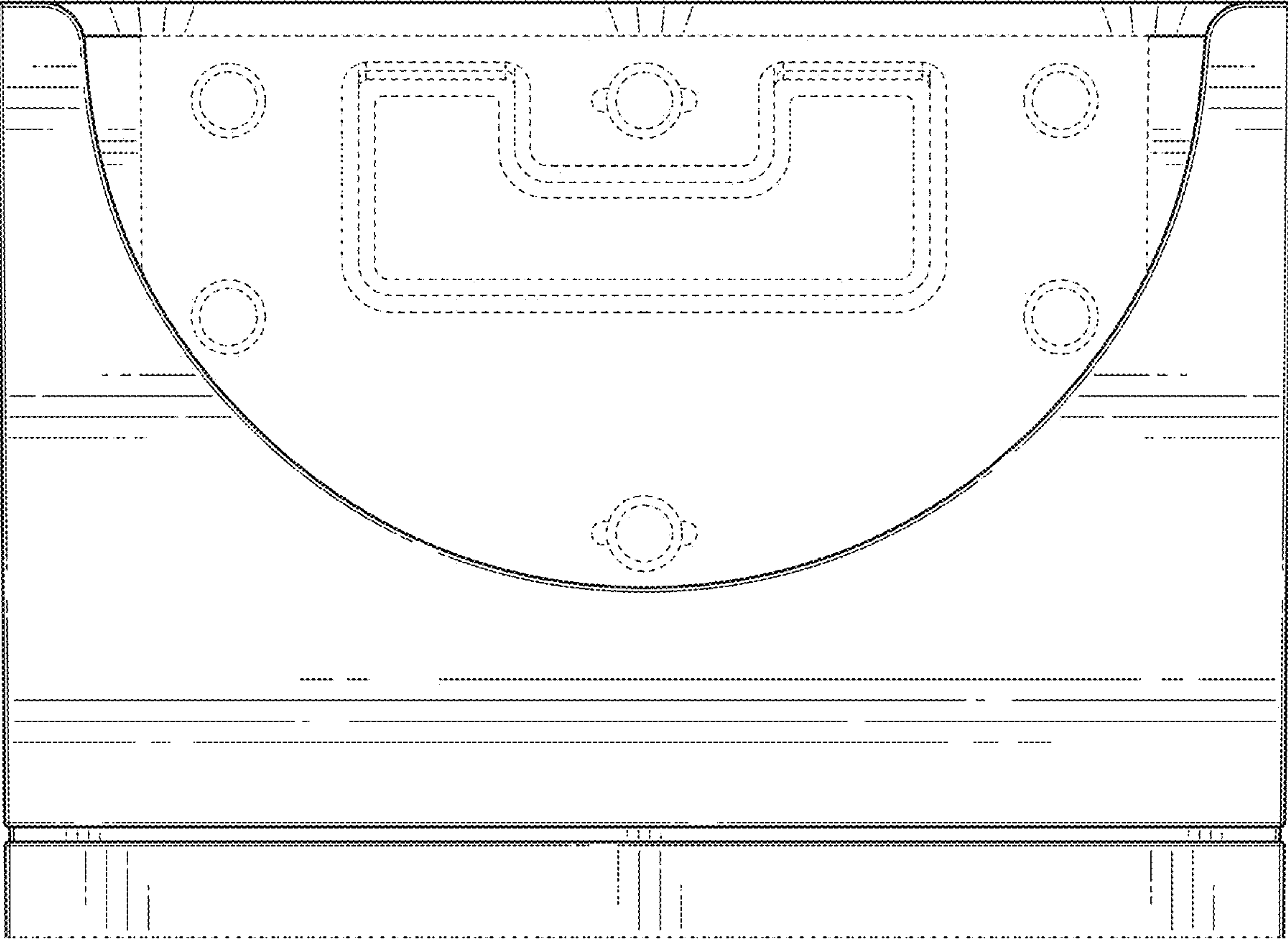


FIG. 4

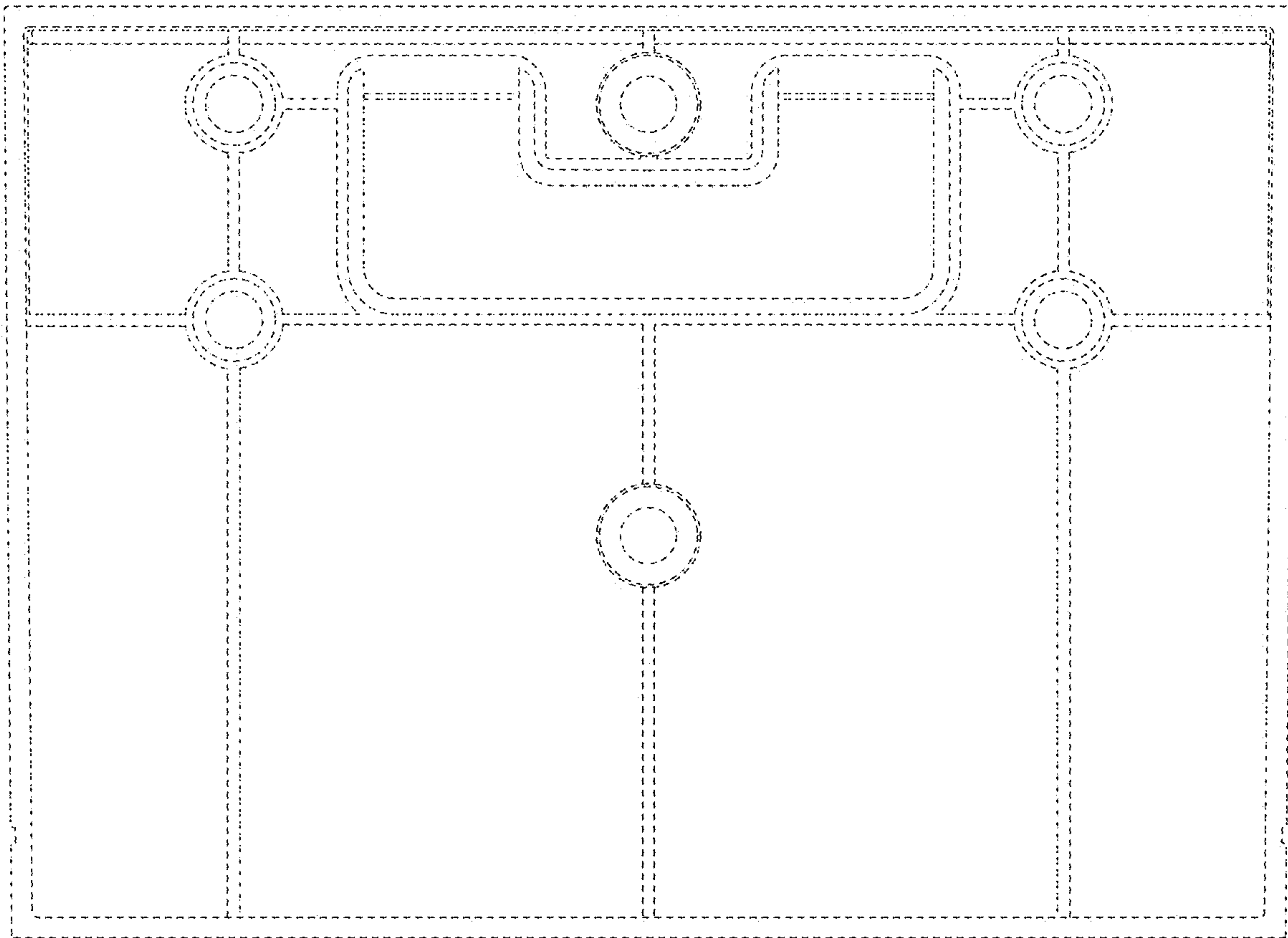


FIG. 5

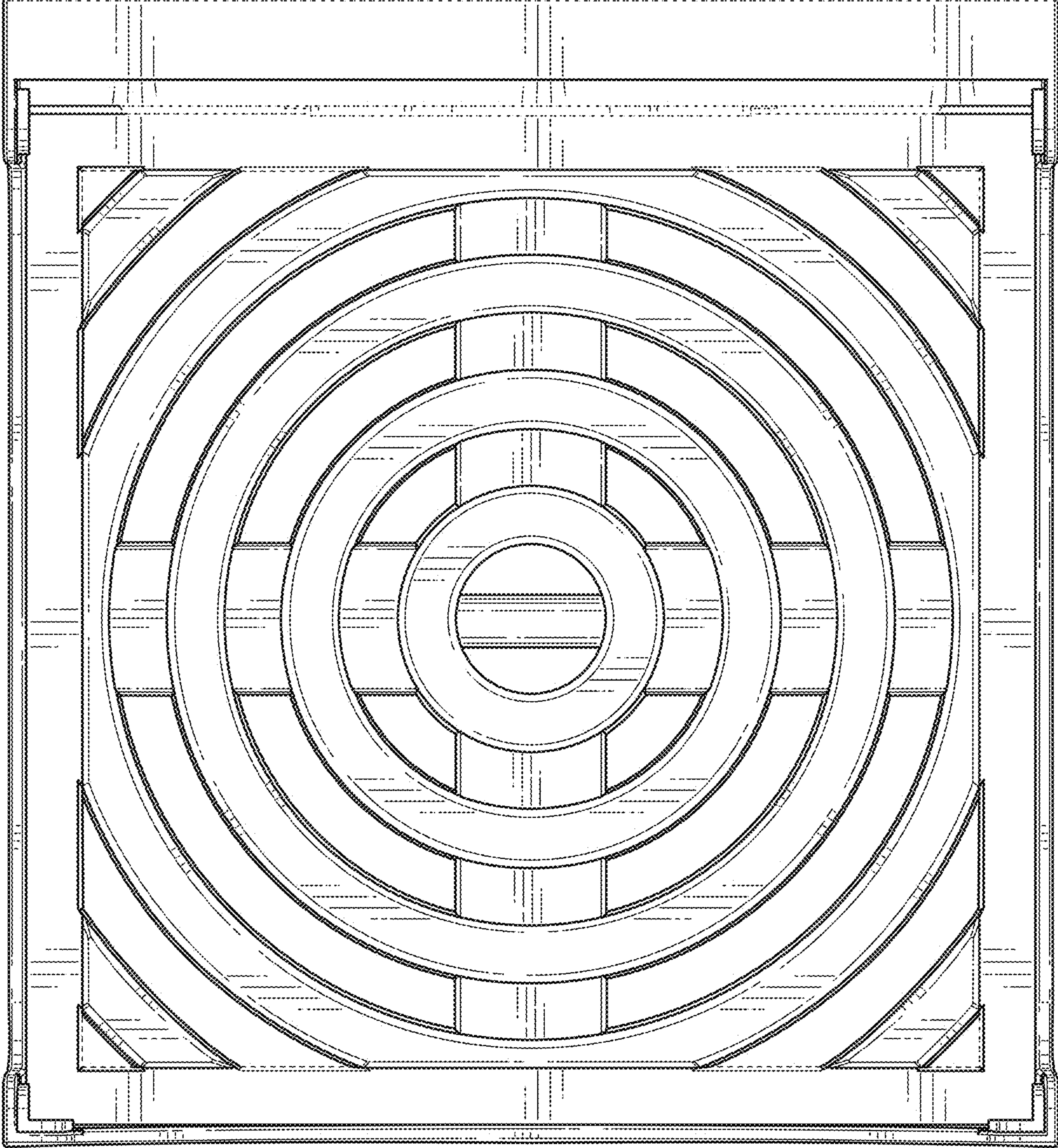


FIG. 6

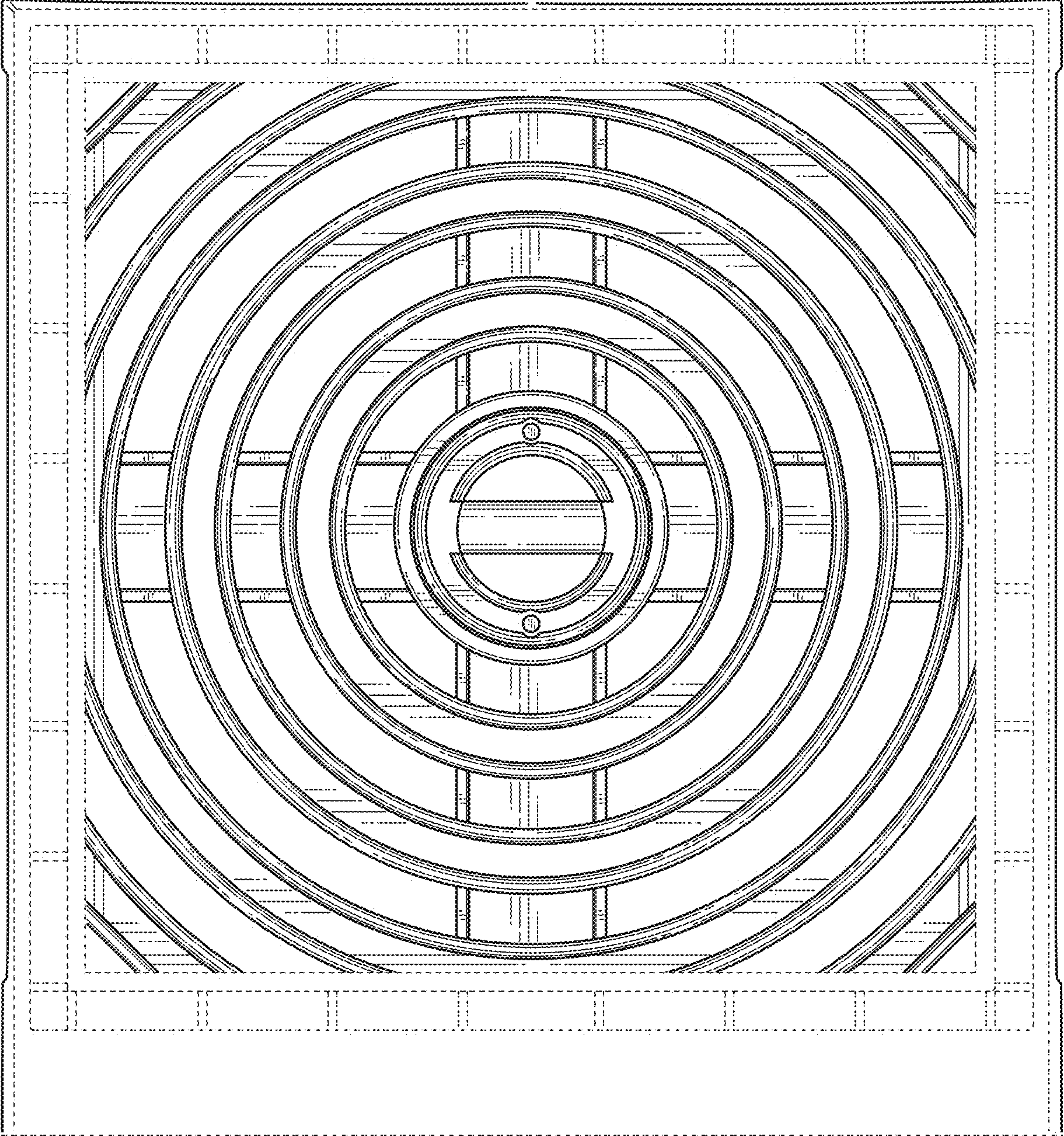


FIG. 7

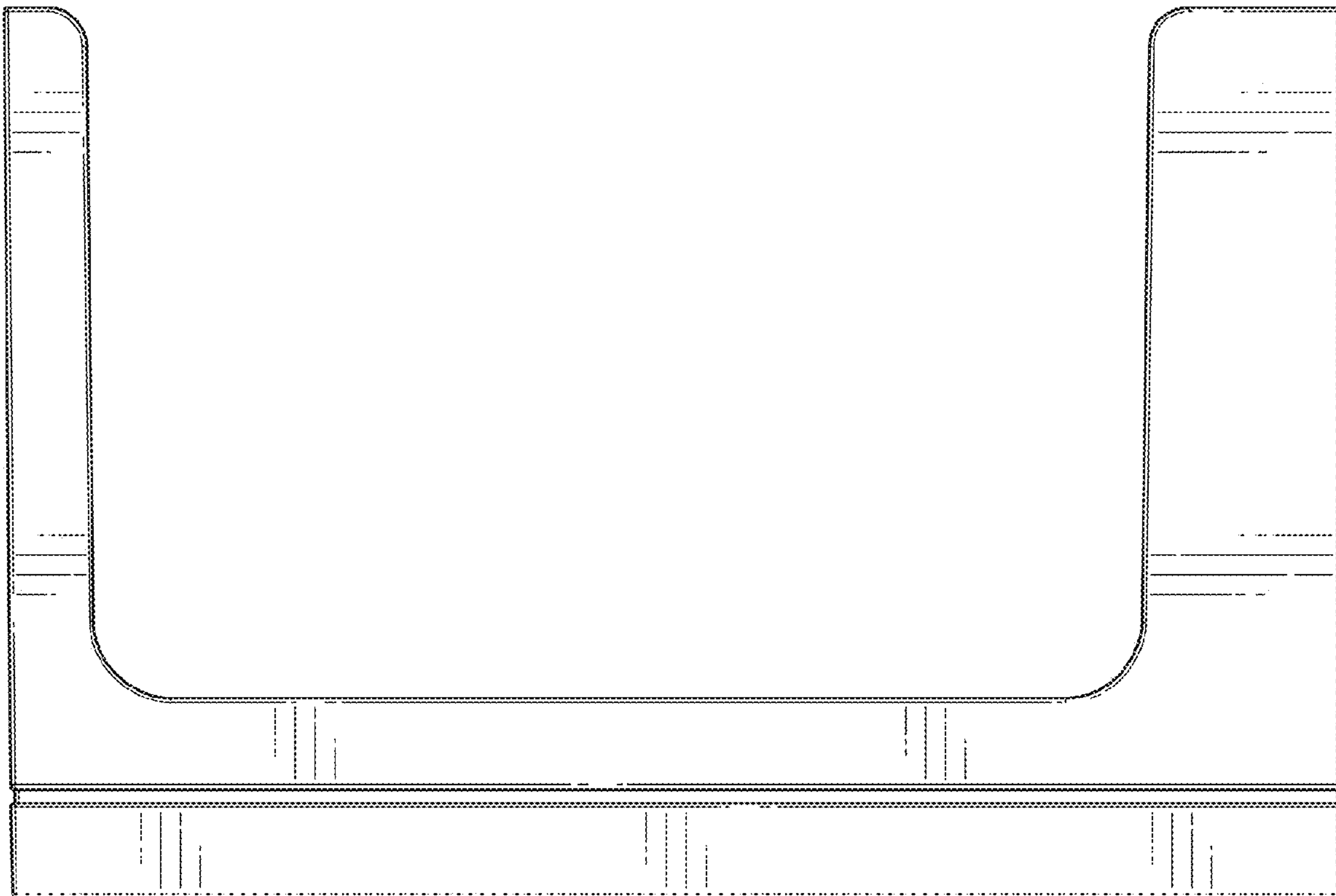


FIG. 8

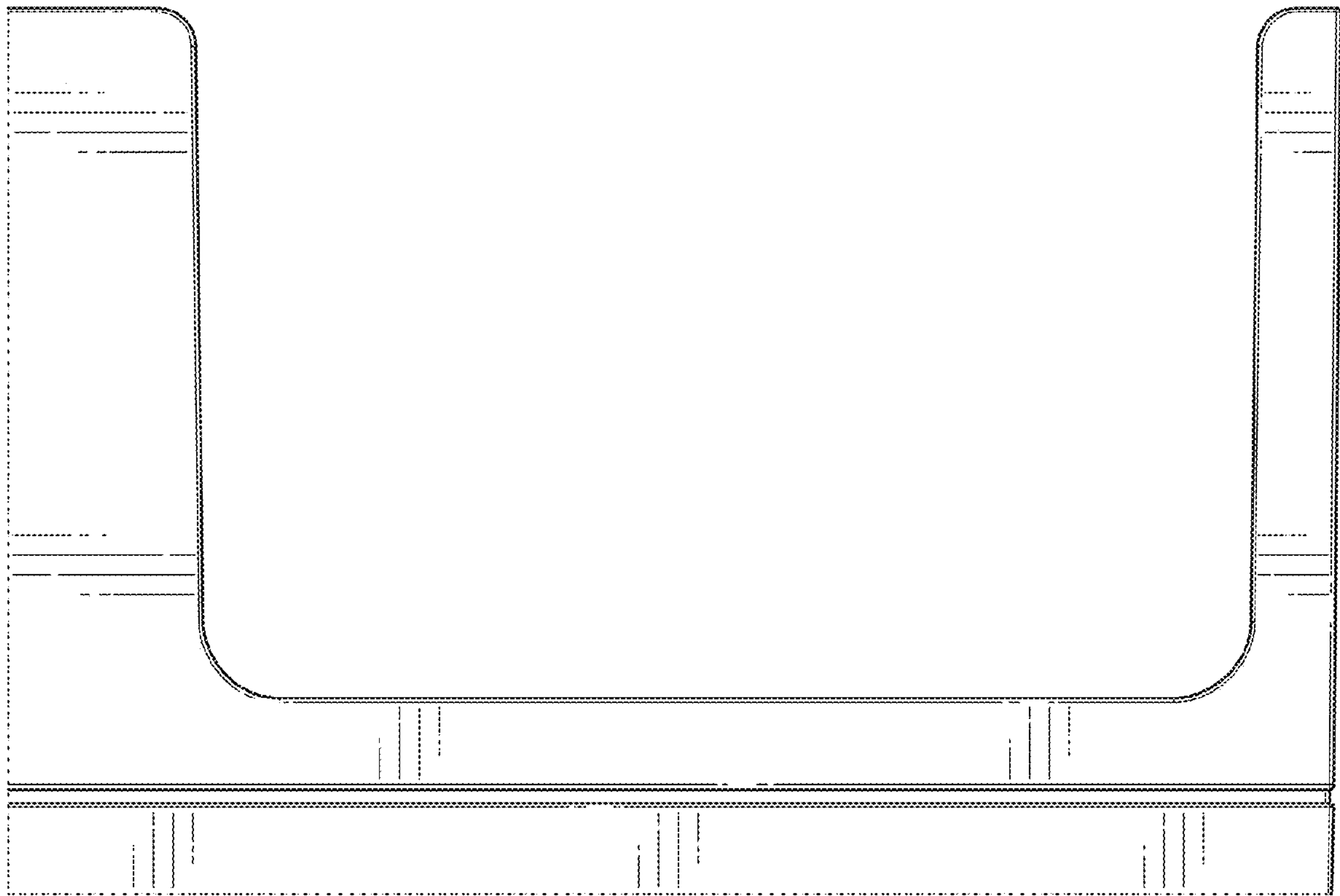


FIG. 9