



US00D931288S

(12) **United States Design Patent** (10) **Patent No.:** **US D931,288 S**  
**Li** (45) **Date of Patent:** **\*\* Sep. 21, 2021**

(54) **PROTECTIVE COVER FOR TABLET**  
(71) Applicant: **Jiao Li**, Fuzhou (CN)  
(72) Inventor: **Jiao Li**, Fuzhou (CN)  
(\*\*) Term: **15 Years**  
(21) Appl. No.: **29/743,634**  
(22) Filed: **Jul. 23, 2020**  
(51) **LOC (13) Cl.** ..... **14-02**  
(52) **U.S. Cl.**  
USPC ..... **D14/440**  
(58) **Field of Classification Search**  
USPC ..... D14/440, 447, 250; 261/45.23, 320,  
261/45.2; 361/679.55; 206/320; 294/25;  
224/218  
CPC ..... G06F 1/628; G06F 1/626; H04B 1/3555;  
H04B 1/3888; A45C 11/00; H05K 5/0217  
See application file for complete search history.

D862,478 S \* 10/2019 Ahn ..... D14/440  
D862,479 S \* 10/2019 Ahn ..... D14/440  
D862,480 S \* 10/2019 Chan ..... D14/440  
D863,313 S \* 10/2019 Li ..... D14/440  
D881,197 S \* 4/2020 Chen ..... D14/440  
D884,709 S \* 5/2020 Cheng ..... D14/440  
D893,497 S \* 8/2020 Li ..... D14/440  
D897,349 S \* 9/2020 Li ..... D14/440  
D898,035 S \* 10/2020 Xu ..... D14/440  
D898,747 S \* 10/2020 Deng ..... D14/440  
D900,113 S \* 10/2020 Pan ..... D14/440  
D912,677 S \* 3/2021 Li ..... D14/440  
D913,294 S \* 3/2021 Li ..... D14/440  
D916,708 S \* 4/2021 Ke ..... D14/440  
D917,493 S \* 4/2021 Zhang ..... D14/440  
D917,496 S \* 4/2021 Chen ..... D14/447

(Continued)

*Primary Examiner* — Cynthia R Underwood

(57) **CLAIM**

The ornamental design for a protective cover for tablet, as shown and described.

**DESCRIPTION**

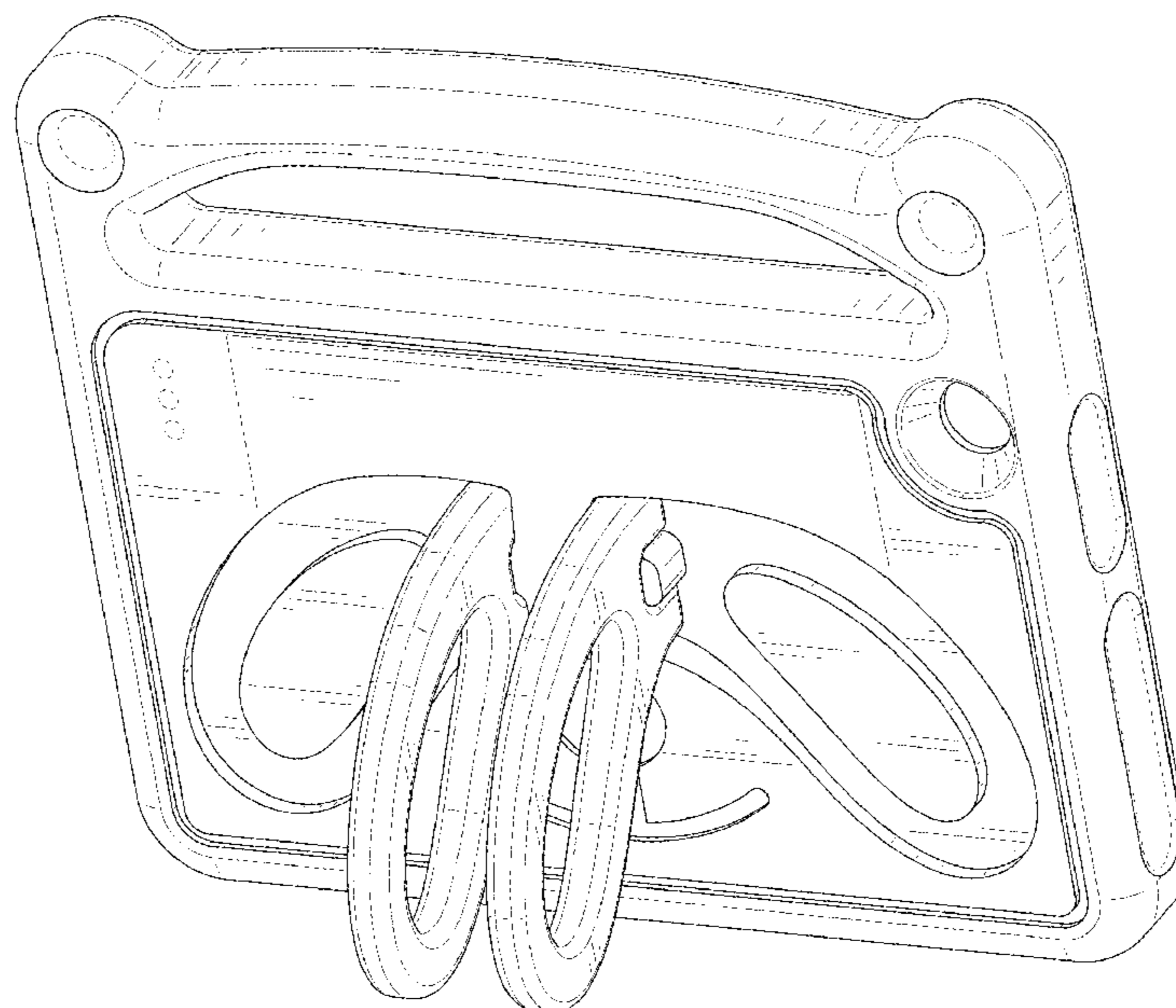
FIG. 1 is a perspective view of a protective cover for tablet showing my new design;  
FIG. 2 is another perspective view thereof;  
FIG. 3 is a front elevational view thereof;  
FIG. 4 is a rear elevational view thereof;  
FIG. 5 is a left side elevational view thereof;  
FIG. 6 is a right side elevational view thereof;  
FIG. 7 is a top plan view thereof;  
FIG. 8 is a bottom plan view thereof; and,  
FIG. 9 is a perspective view of the protective cover for tablet where the protective cover for tablet is in a configuration of use.  
The broken lines in the drawings depict portions of the protective cover for tablet that form no part of the claimed design.

**1 Claim, 9 Drawing Sheets**

(56) **References Cited**

U.S. PATENT DOCUMENTS

D689,056 S \* 9/2013 Li ..... D14/440  
D690,704 S \* 10/2013 Padilla ..... D14/440  
D727,917 S \* 4/2015 Yeo ..... D14/440  
D733,154 S \* 6/2015 Armstrong ..... D14/440  
D752,052 S \* 3/2016 Park ..... D14/440  
D763,853 S \* 8/2016 Pearce ..... D14/440  
D784,350 S \* 4/2017 Li ..... D14/440  
D790,550 S \* 6/2017 Chen ..... D14/440  
D803,221 S \* 11/2017 Guo ..... D14/440  
D806,080 S \* 12/2017 Chen ..... D14/440  
D807,366 S \* 1/2018 Chen ..... D14/440  
D807,369 S \* 1/2018 Chen ..... D14/440  
D808,973 S \* 1/2018 Chen ..... D14/440  
D811,412 S \* 2/2018 McCurdy ..... D14/440  
D812,620 S \* 3/2018 Cheng ..... D14/440  
D854,022 S \* 7/2019 Chen ..... D14/440  
D860,212 S \* 9/2019 Ahn ..... D14/440



(56)

**References Cited**

U.S. PATENT DOCUMENTS

2012/0075799 A1\* 3/2012 Pollex ..... G06F 1/1628  
361/679.56  
2017/0045920 A1\* 2/2017 Armstrong ..... G06F 1/1669  
2017/0097698 A1\* 4/2017 Maeshima ..... G06F 3/03545

\* cited by examiner

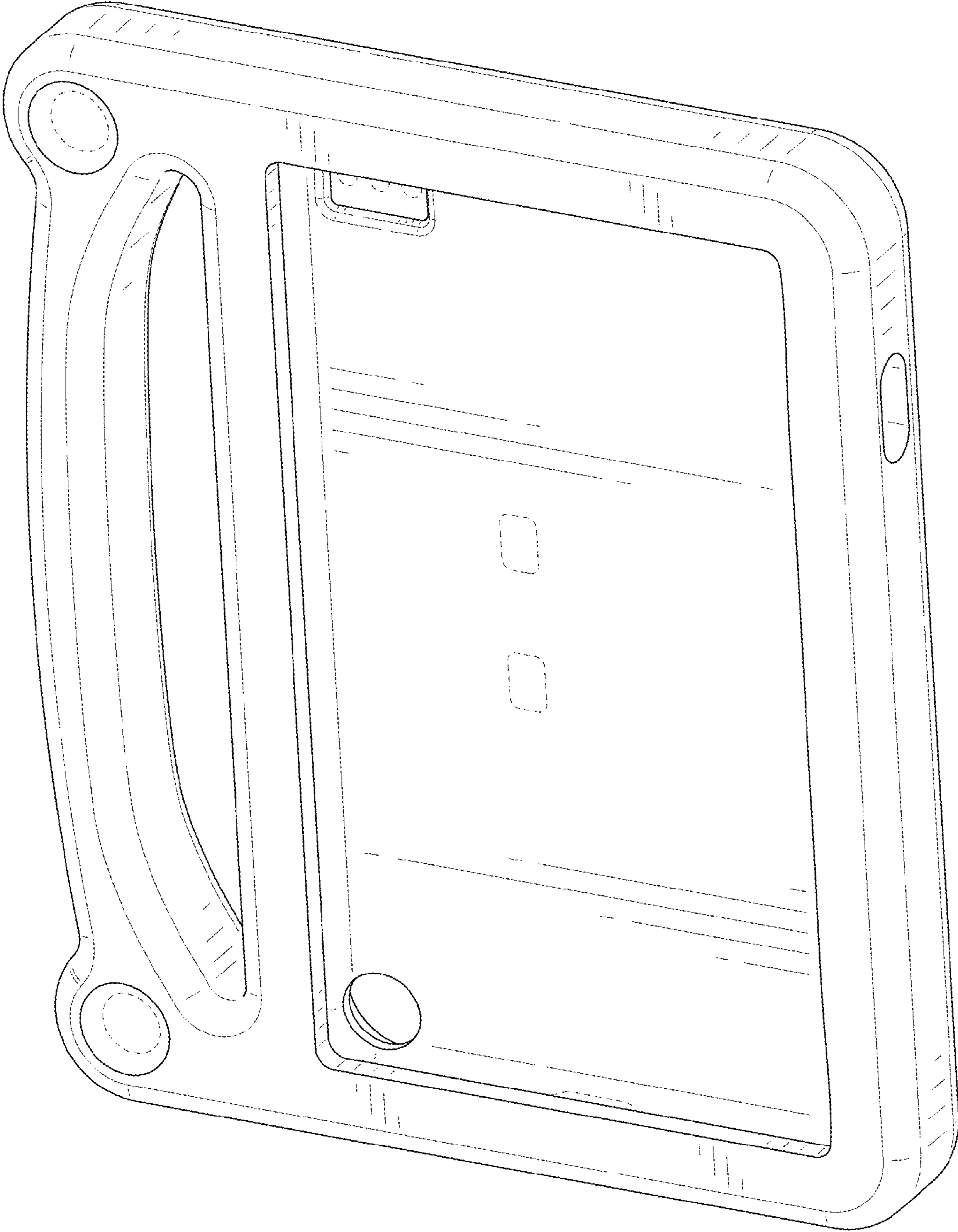


FIG. 1

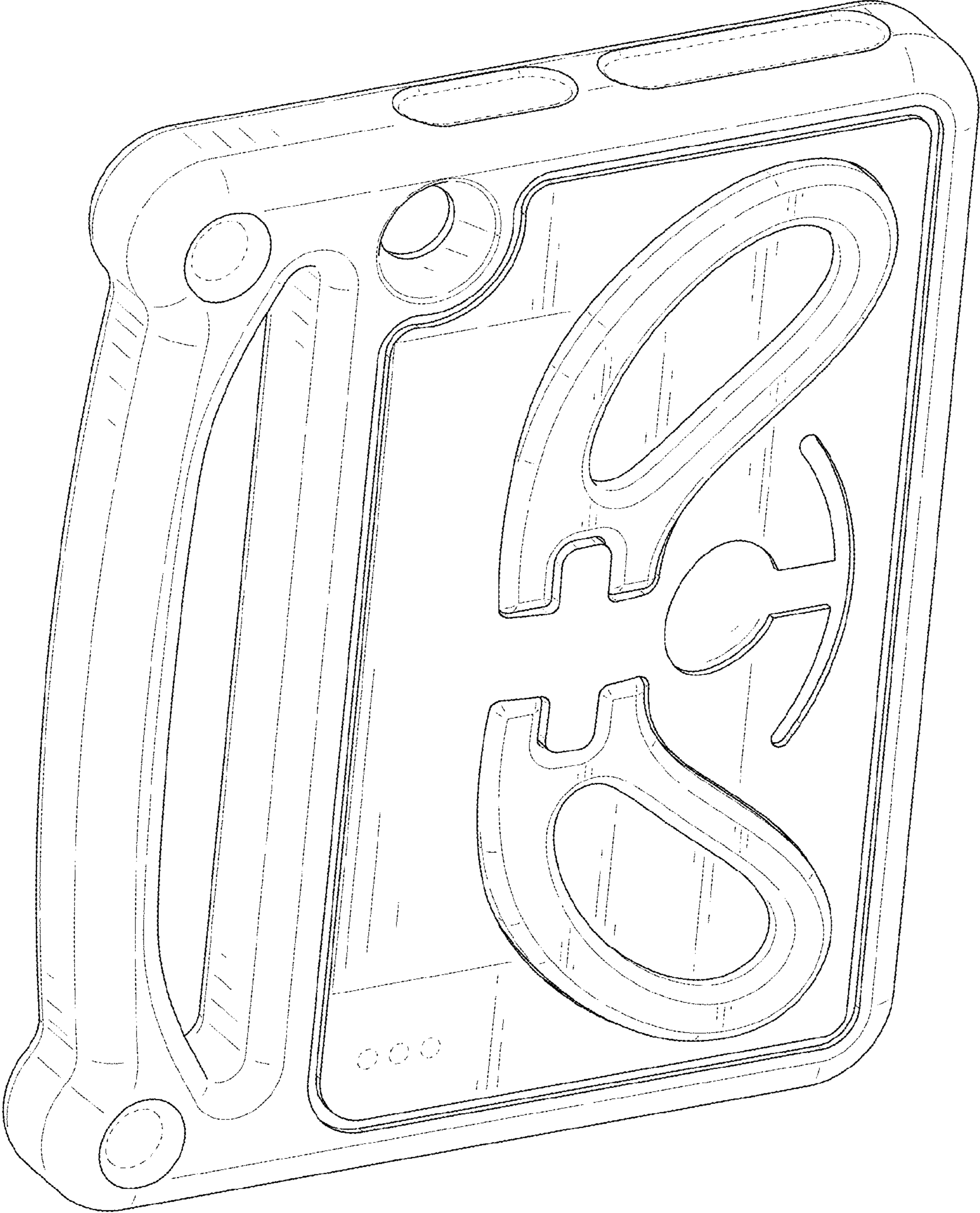


FIG. 2

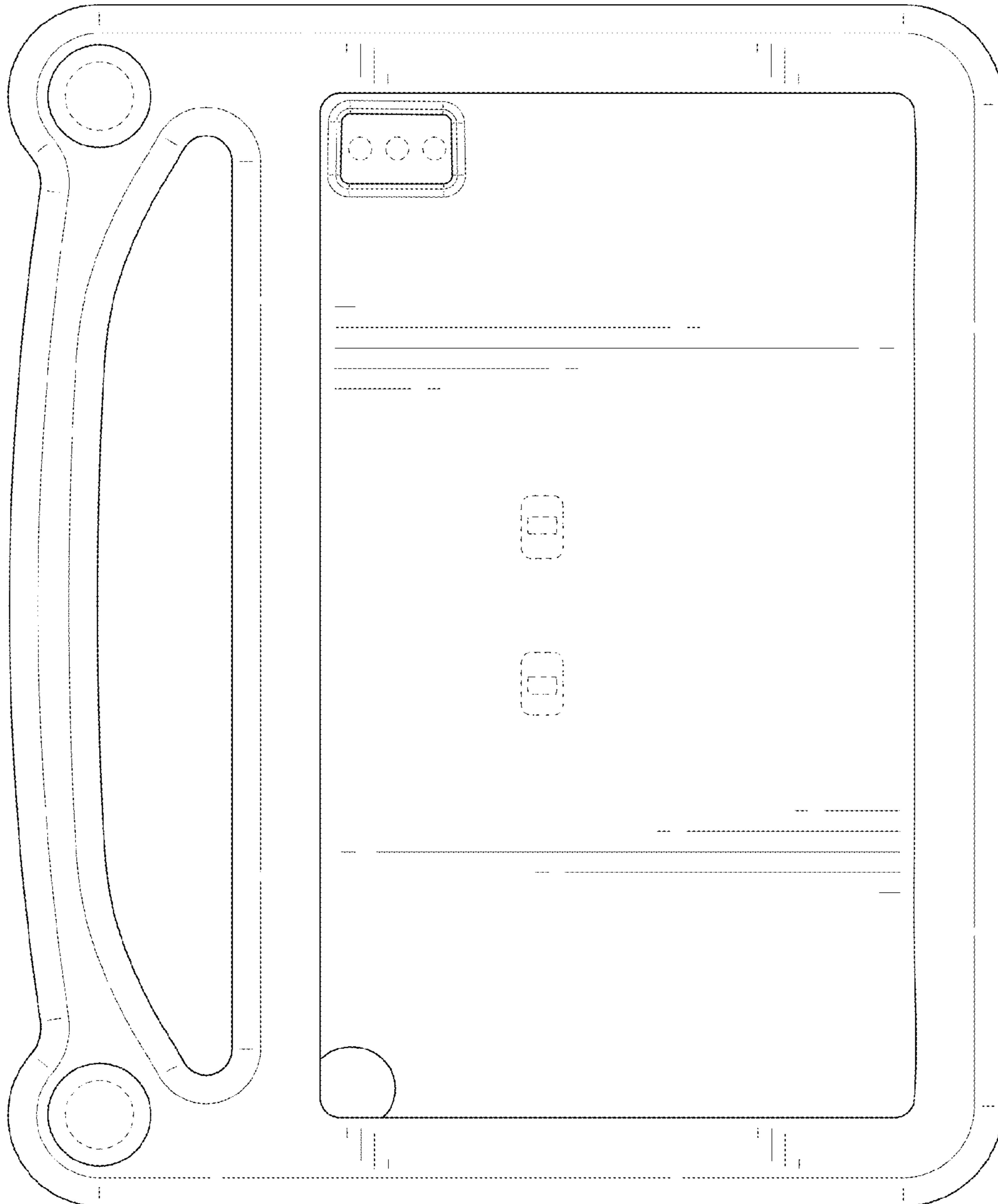


FIG. 3

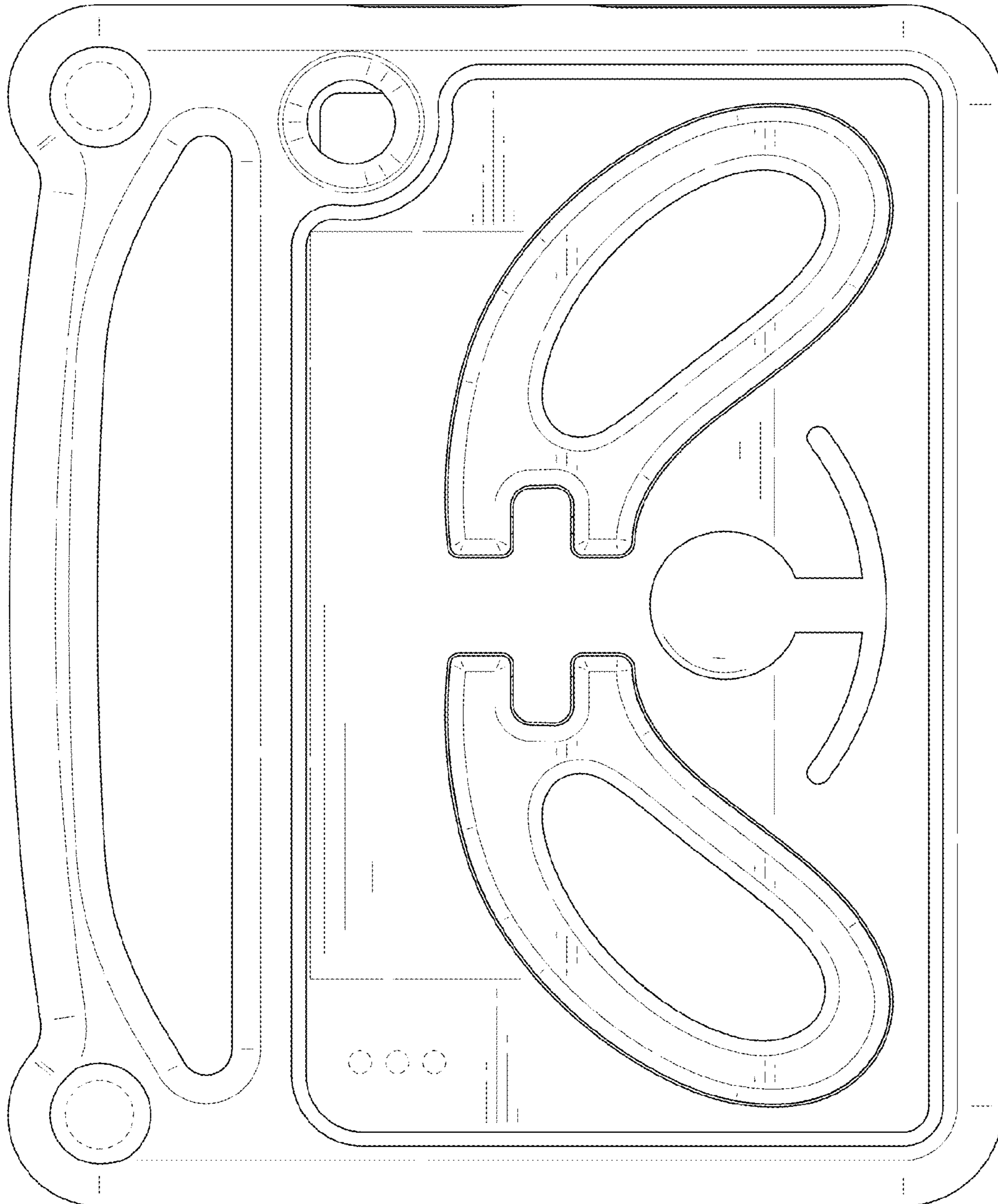


FIG. 4

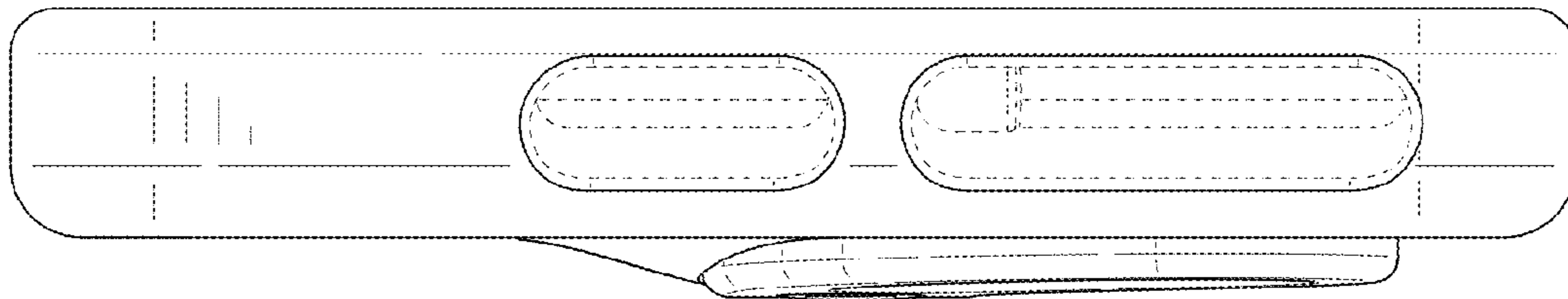


FIG. 5

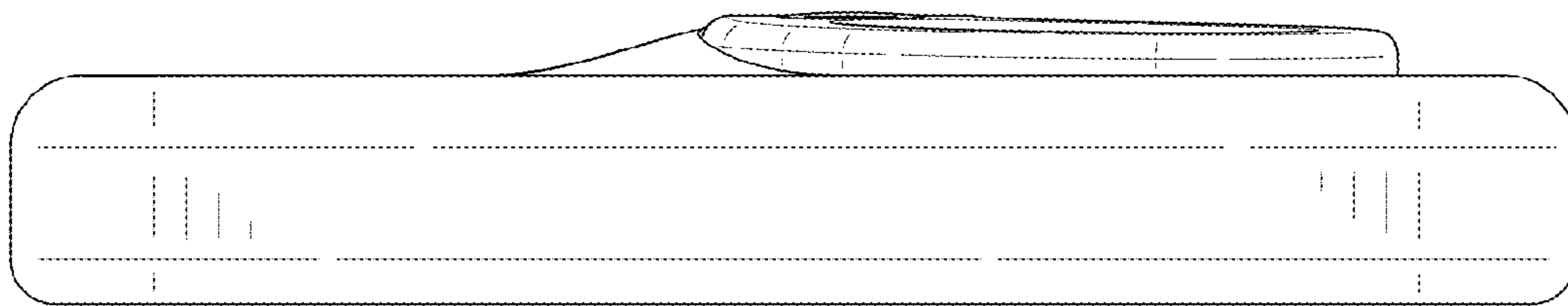


FIG. 6



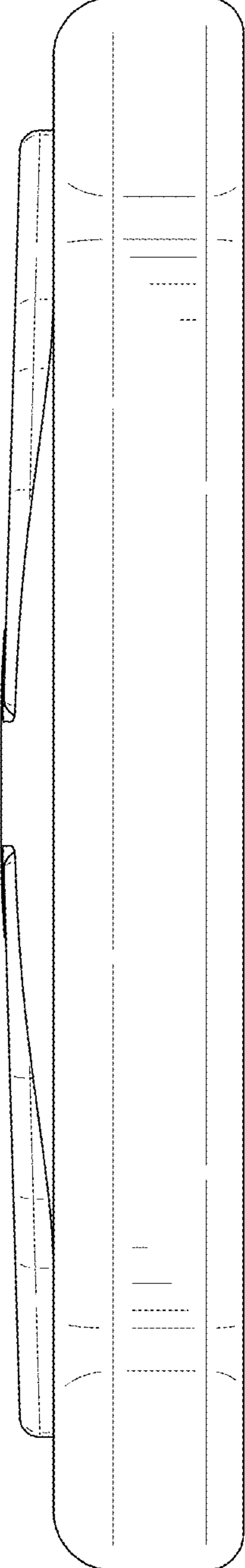


FIG. 7

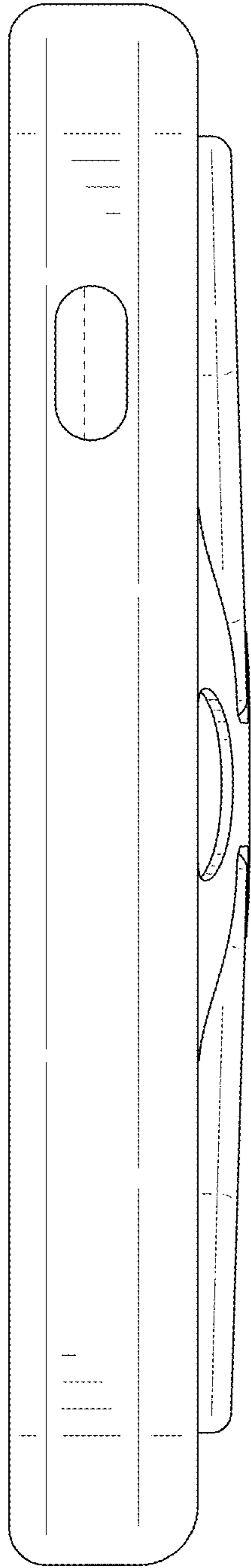


FIG. 8

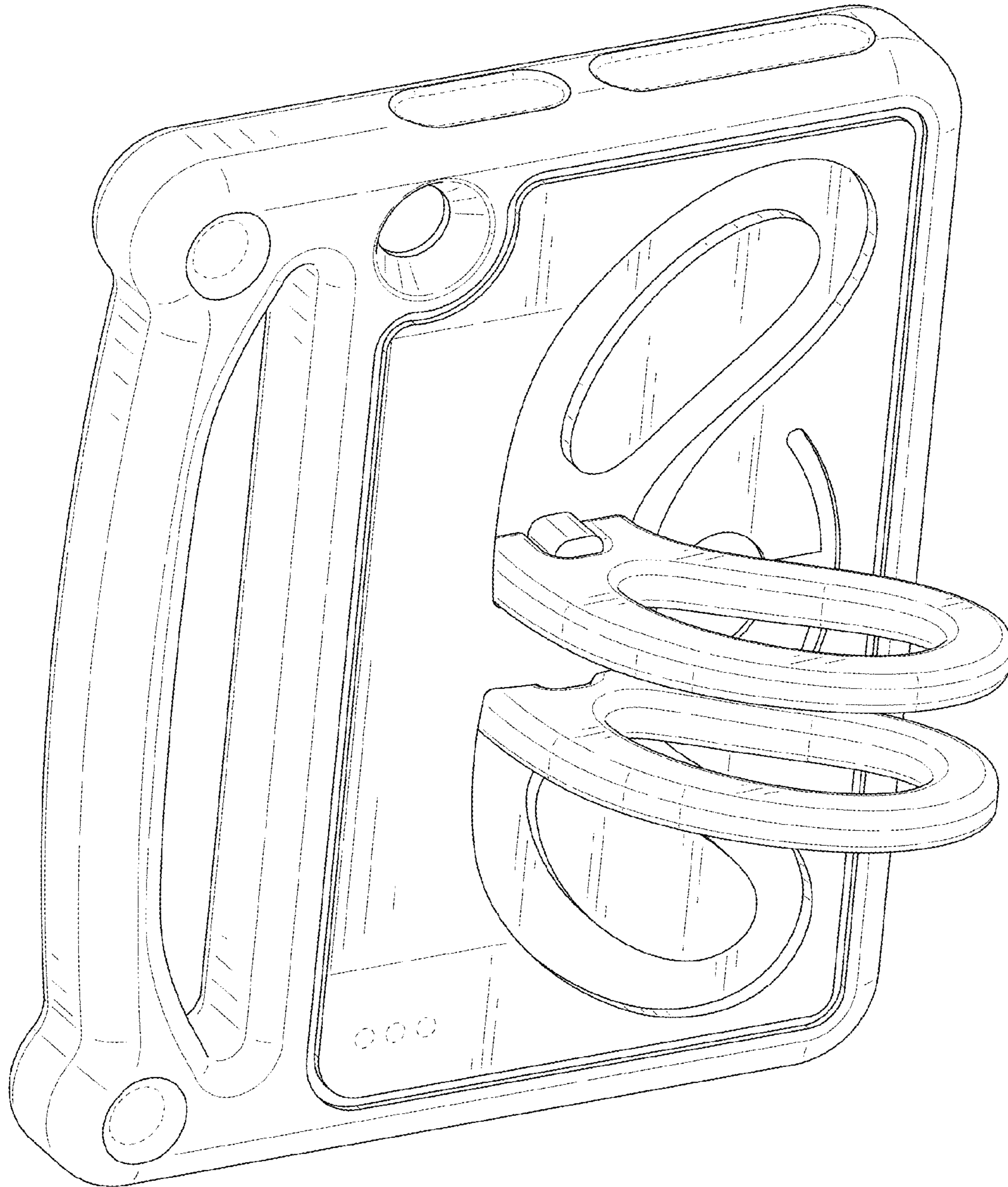


FIG. 9