



US00D931285S

(12) **United States Design Patent**  
**Isobe et al.**

(10) **Patent No.:** **US D931,285 S**  
(45) **Date of Patent:** **\*\* Sep. 21, 2021**

(54) **SCANNER**

(71) Applicant: **SEIKO EPSON CORPORATION**,  
Tokyo (JP)

(72) Inventors: **Shigeaki Isobe**, Matsumoto (JP);  
**Yoriko Hama**, Chino (JP)

(73) Assignee: **SEIKO EPSON CORPORATION**,  
Tokyo (JP)

(\*\*) Term: **15 Years**

(21) Appl. No.: **29/715,628**

(22) Filed: **Dec. 3, 2019**

(30) **Foreign Application Priority Data**

Jun. 19, 2019 (JP) ..... 2019-013474

(51) **LOC (13) Cl.** ..... **14-02**

(52) **U.S. Cl.**  
USPC ..... **D14/422**

(58) **Field of Classification Search**

USPC ..... D14/421-425; D18/40, 36-39, 41,  
D18/44-56, 34.3; 235/462, 455, 470,  
235/462.43, 482, 483; 358/474, 486, 488,  
358/496, 498, 452, 449, 451, 453.1, 1.13,  
358/1.16; 318/685, 696; 355/81, 75;  
399/405, 367, 379, 380; 382/217;  
715/209, 222, 226, 274; 400/613,  
400/613.1-613.4, 690.1-690.4, 691-694;  
271/264, 127, 131, 117, 118, 162  
CPC ..... H04N 1/00; H04N 1/12; H04N 1/00013;  
H04N 1/00015; H04N 1/00018; H04N  
1/00026; H04N 1/00557; H04N 1/00564;  
H04N 1/00567; H04N 1/0057; H04N  
1/00572; H04N 1/00586; H04N 1/00588;  
H04N 1/00591; H04N 1/00594; H04N  
1/00596; H04N 1/00604; H04N 1/00519;  
H04N 1/00559; H04N 1/1013; H04N  
1/10; H04N 1/00551; H04N 1/00278;  
H04N 2201/0081; H04N 2201/0456;

H04N 2201/0446; H04N 2201/00; H04N  
2201/0094; H04N 1/00525; H04N  
1/0049; H04N 1/00493; H04N 1/00496;  
H04N 1/00527; H04N 1/0053; H04N  
1/00533; H04N 1/00535; H04N 1/00538;  
H04N 1/00541; H04N 1/00543; H04N  
1/00037; H04N 1/00092; H04N 1/00702;  
H04N 1/02815; H04N 1/4076; H04N  
1/40056; H04N 1/02845; G03G 15/0142;  
G03G 15/605; G03G 15/602; B65H 5/26;  
B65H 5/30; B65H 7/00; B65H 2402/515;  
B65H 2402/31; B65H 2511/414; B65H  
2511/00194; B65H 2511/00198; B65H  
2511/00202; B65H 2511/00206; B65H  
(Continued)

(56) **References Cited**

U.S. PATENT DOCUMENTS

D428,623 S \* 7/2000 Igarashi ..... D18/54  
D442,218 S \* 5/2001 Kobayashi ..... D18/55  
(Continued)

*Primary Examiner* — Susan Moon Lee

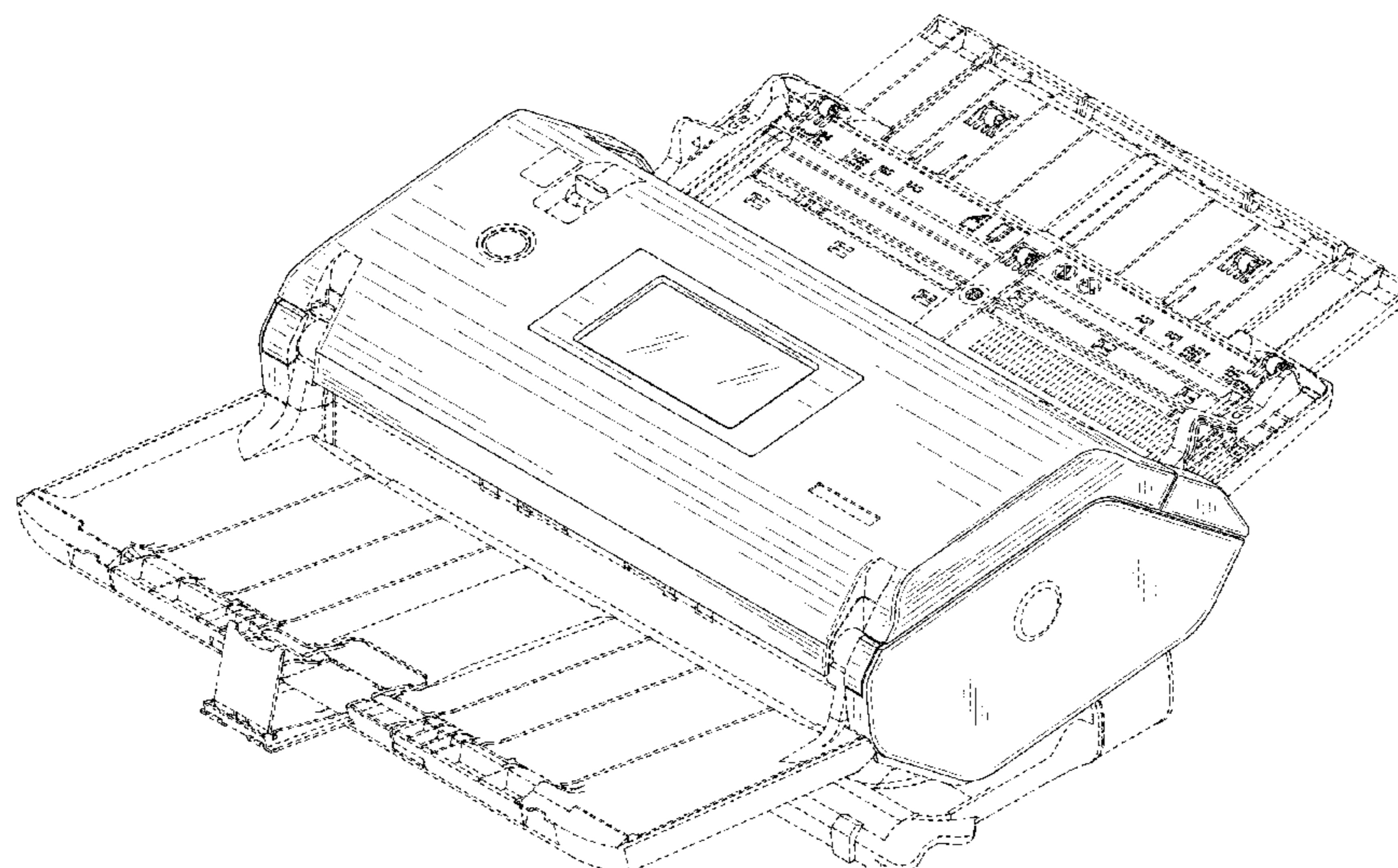
(57) **CLAIM**

The ornamental design for a scanner, as shown and described.

**DESCRIPTION**

FIG. 1 is a front, top and right side perspective view of a scanner showing our new design;  
FIG. 2 is a front view thereof;  
FIG. 3 is a rear view thereof;  
FIG. 4 is a top plan view thereof;  
FIG. 5 is a bottom plan view thereof;  
FIG. 6 is a right side view thereof; and,  
FIG. 7 is a left side view thereof.  
The broken lines illustrate portions of the scanner that form no part of the claimed design.

**1 Claim, 7 Drawing Sheets**



(58) **Field of Classification Search**  
 CPC ..... 2511/20; B65H 2301/00; B65H 2220/04;  
                   B65H 3/5261; B65H 2513/42  
 See application file for complete search history.

(56) **References Cited**

U.S. PATENT DOCUMENTS

|           |      |         |                |                         |
|-----------|------|---------|----------------|-------------------------|
| 6,942,211 | B2 * | 9/2005  | Teo .....      | B41J 11/0025<br>271/145 |
| 7,350,914 | B2 * | 4/2008  | Tanaami .....  | B41J 29/02<br>347/108   |
| D624,544  | S *  | 9/2010  | Kuroda .....   | D14/422                 |
| D624,545  | S *  | 9/2010  | Kuroda .....   | D14/422                 |
| D624,547  | S *  | 9/2010  | Kuroda .....   | D14/422                 |
| D669,080  | S *  | 10/2012 | Iwai .....     | D14/422                 |
| D699,726  | S *  | 2/2014  | Seki .....     | D14/422                 |
| D706,269  | S *  | 6/2014  | Qian .....     | D14/422                 |
| D708,185  | S *  | 7/2014  | Romanoff ..... | D14/422                 |
| D713,845  | S *  | 9/2014  | Taniho .....   | D14/422                 |
| D736,773  | S *  | 8/2015  | Okamoto .....  | D14/422                 |
| 9,124,745 | B2 * | 9/2015  | Mukai .....    | H04N 1/00591            |
| D766,246  | S *  | 9/2016  | Inada .....    | D14/422                 |
| D780,181  | S *  | 2/2017  | Peng .....     | D14/422                 |

|              |      |         |                 |                         |
|--------------|------|---------|-----------------|-------------------------|
| D845,952     | S *  | 4/2019  | Egami .....     | D14/422                 |
| D852,269     | S *  | 6/2019  | Umezawa .....   | D18/34.3                |
| D861,691     | S *  | 10/2019 | Shibuya .....   | D14/422                 |
| 2004/0017459 | A1 * | 1/2004  | Kawaguchi ..... | B41J 3/4071<br>347/104  |
| 2004/0067089 | A1 * | 4/2004  | Tanaami .....   | B41J 29/02<br>400/693   |
| 2013/0163056 | A1 * | 6/2013  | Hanayama .....  | H04N 1/0005<br>358/474  |
| 2013/0222867 | A1 * | 8/2013  | Tomita .....    | H04N 1/0057<br>358/498  |
| 2014/0071503 | A1 * | 3/2014  | Mukai .....     | H04N 1/00604<br>358/498 |
| 2014/0092451 | A1 * | 4/2014  | Mizuno .....    | H04N 1/00655<br>358/498 |
| 2014/0092456 | A1 * | 4/2014  | Ukai .....      | H04N 1/00588<br>358/498 |
| 2014/0103598 | A1 * | 4/2014  | Kuriki .....    | B65H 5/26<br>271/3.19   |
| 2014/0293374 | A1 * | 10/2014 | Nakayama .....  | H04N 1/00615<br>358/498 |
| 2015/0062667 | A1 * | 3/2015  | Kuriki .....    | H04N 1/00602<br>358/474 |

\* cited by examiner

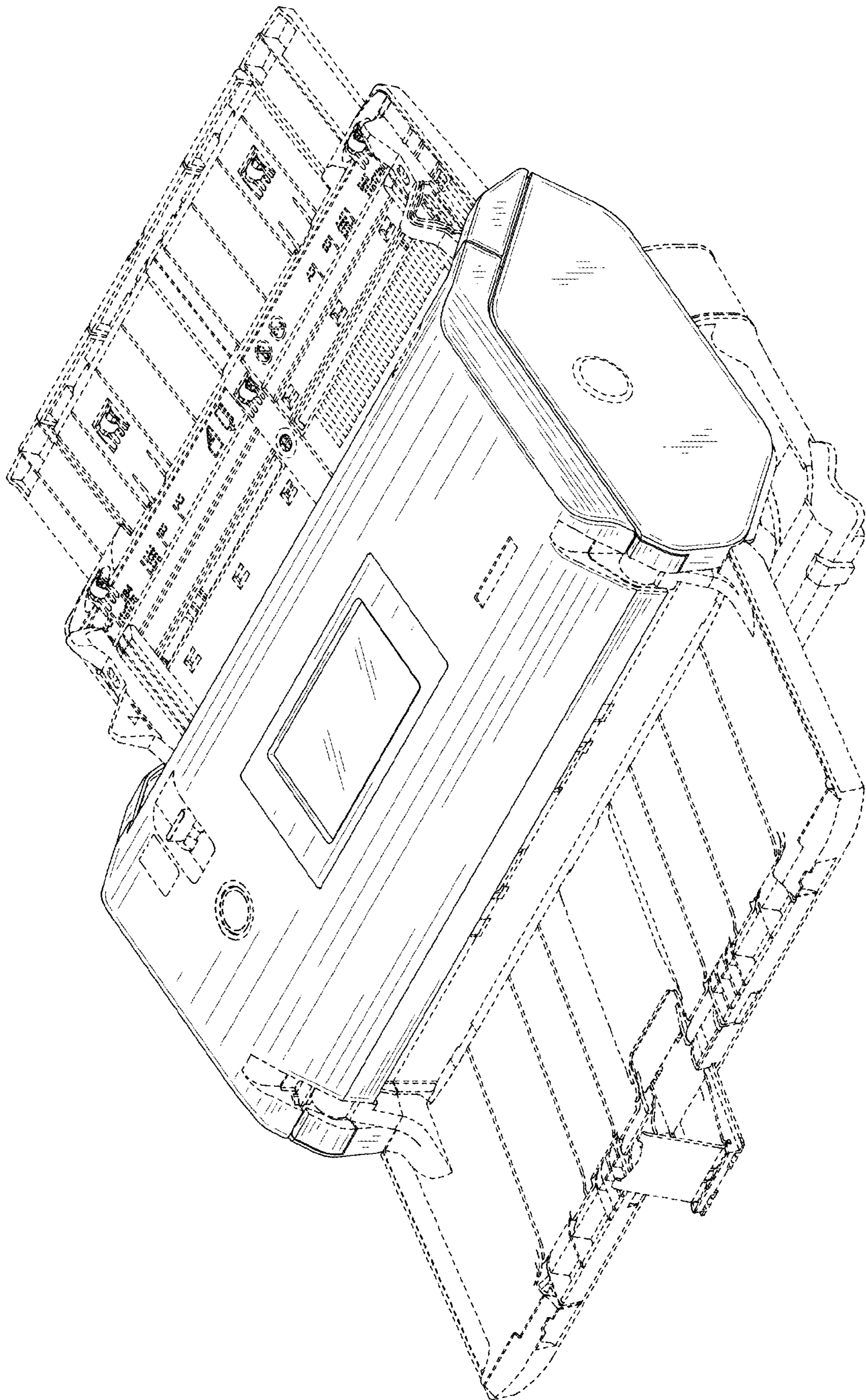
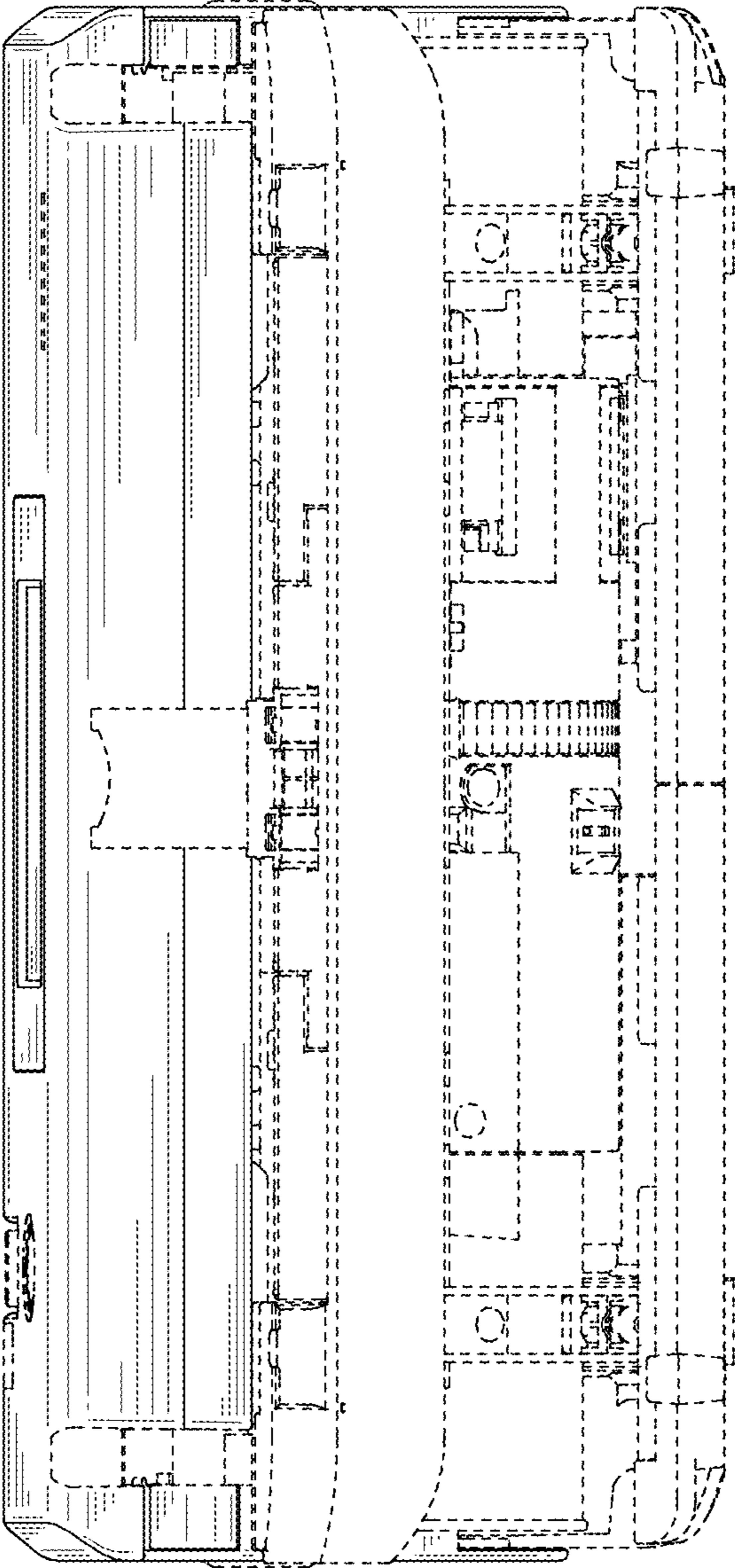


FIG.1

FIG.2



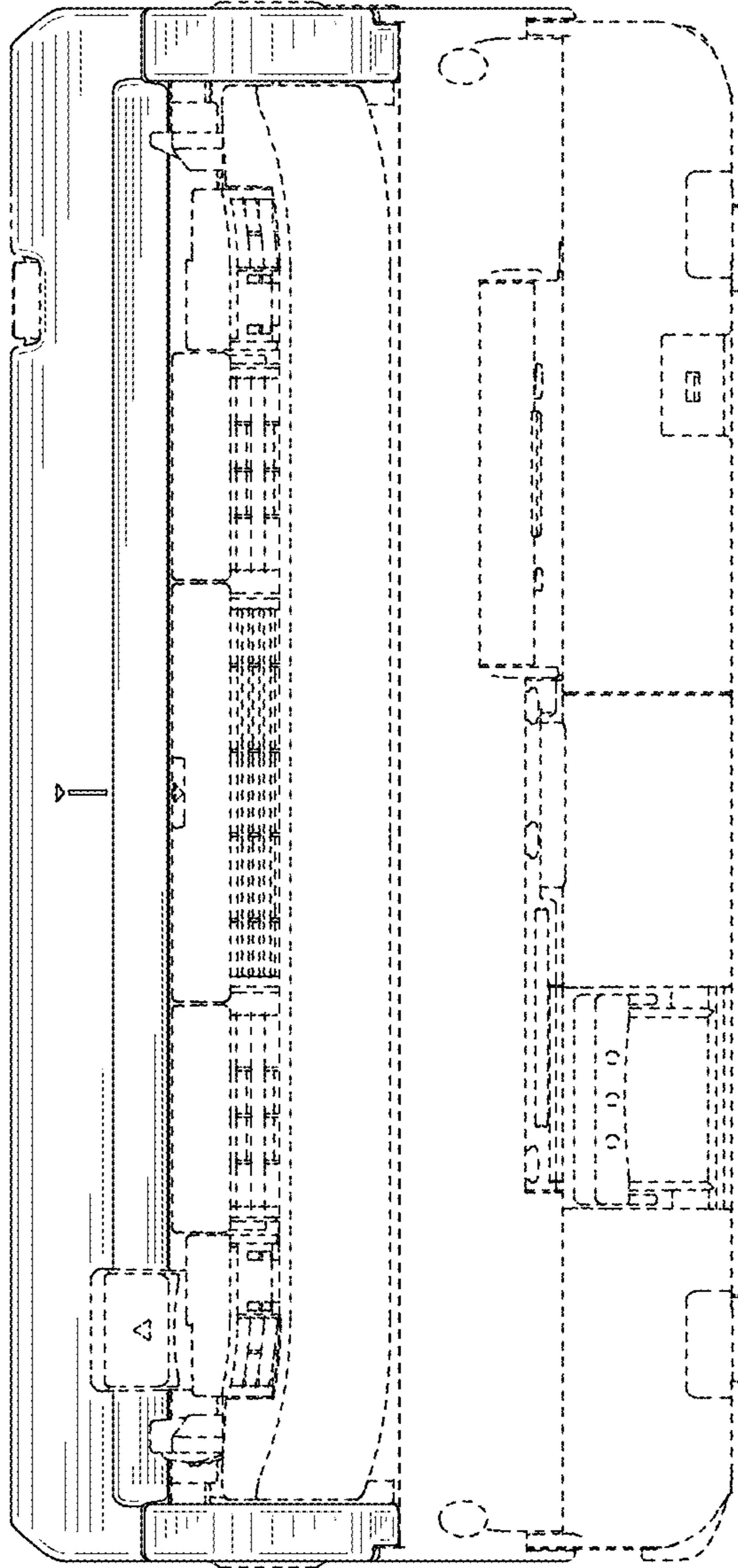


FIG.3

FIG.4

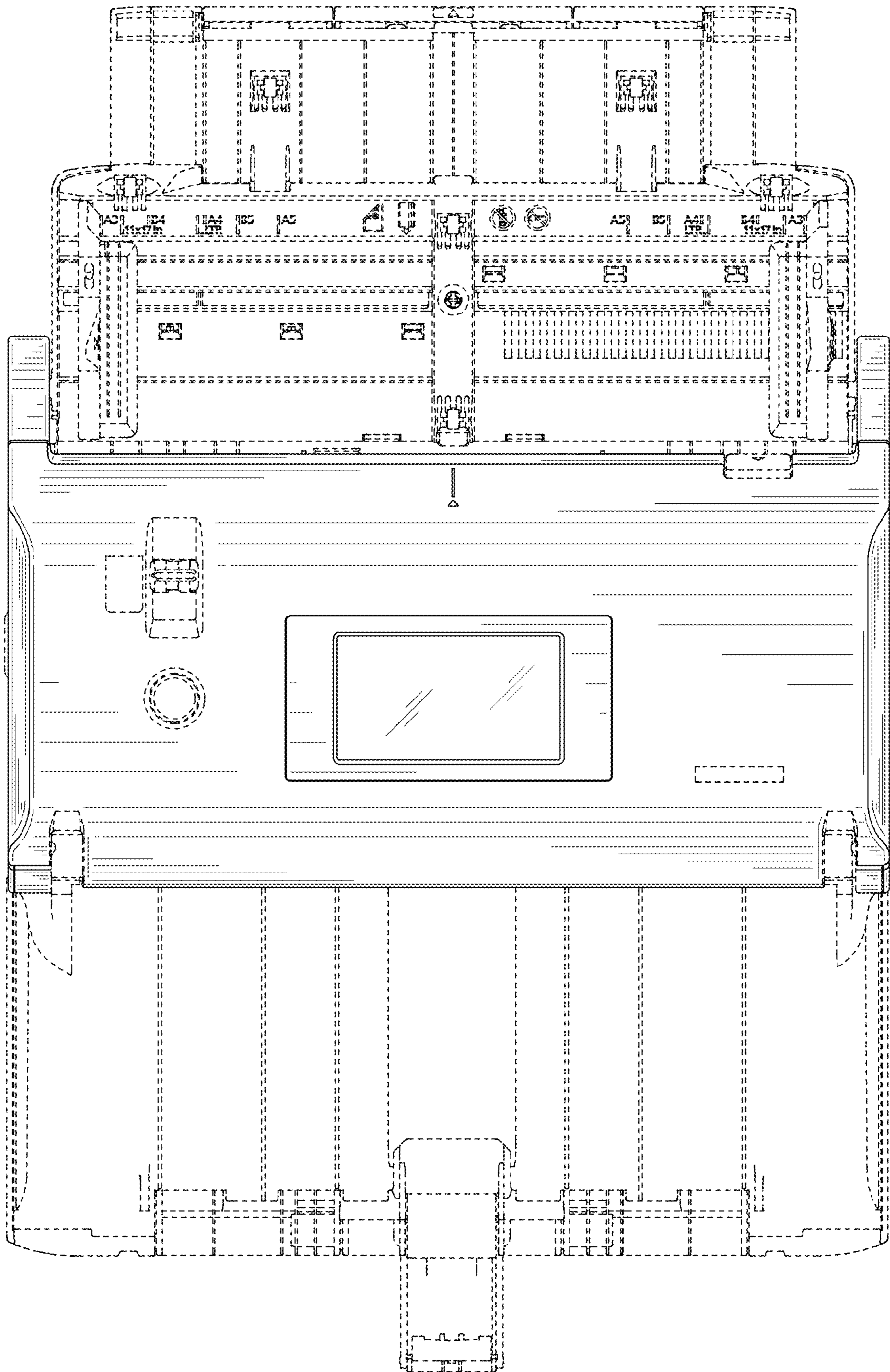
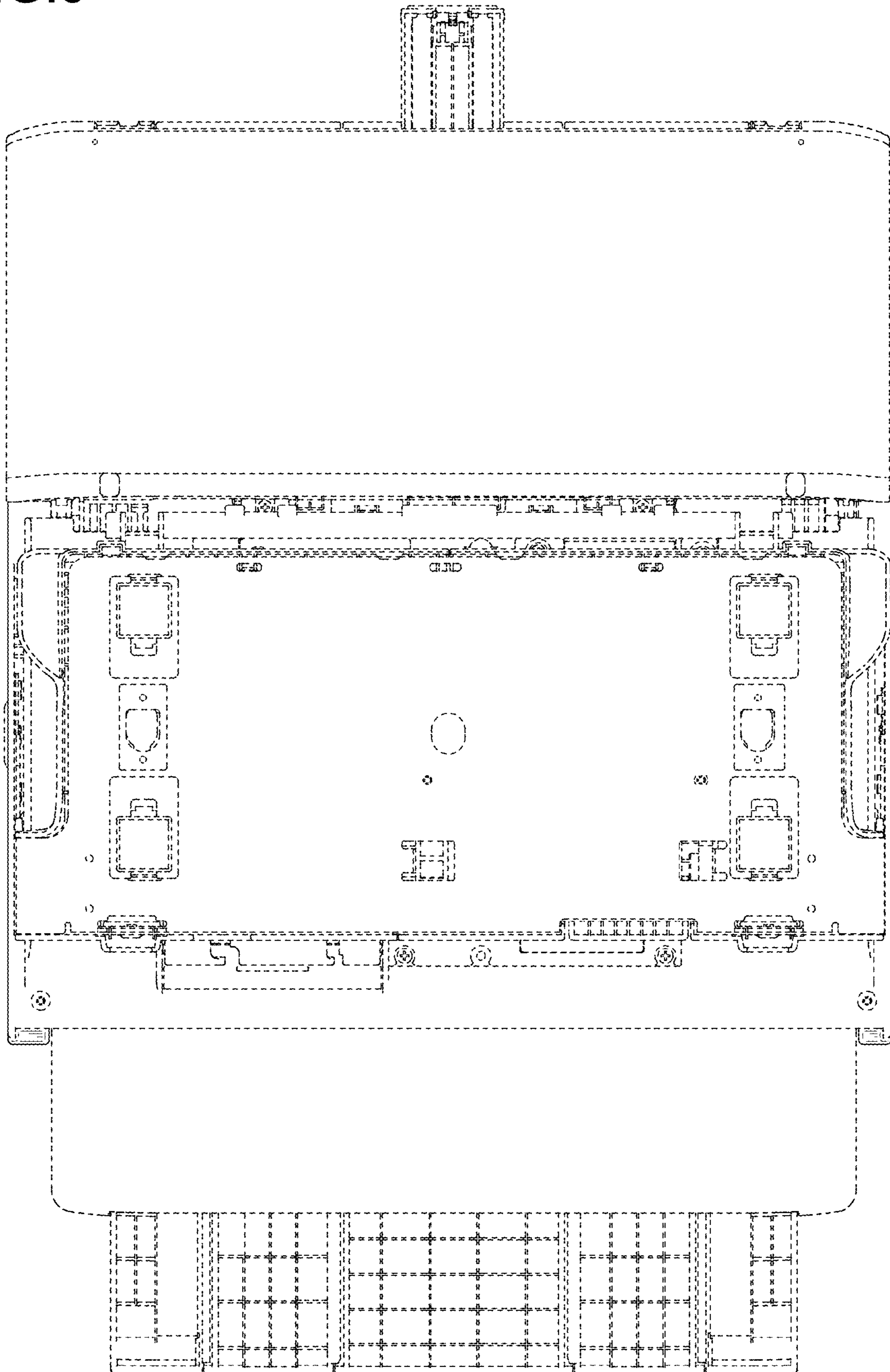


FIG.5



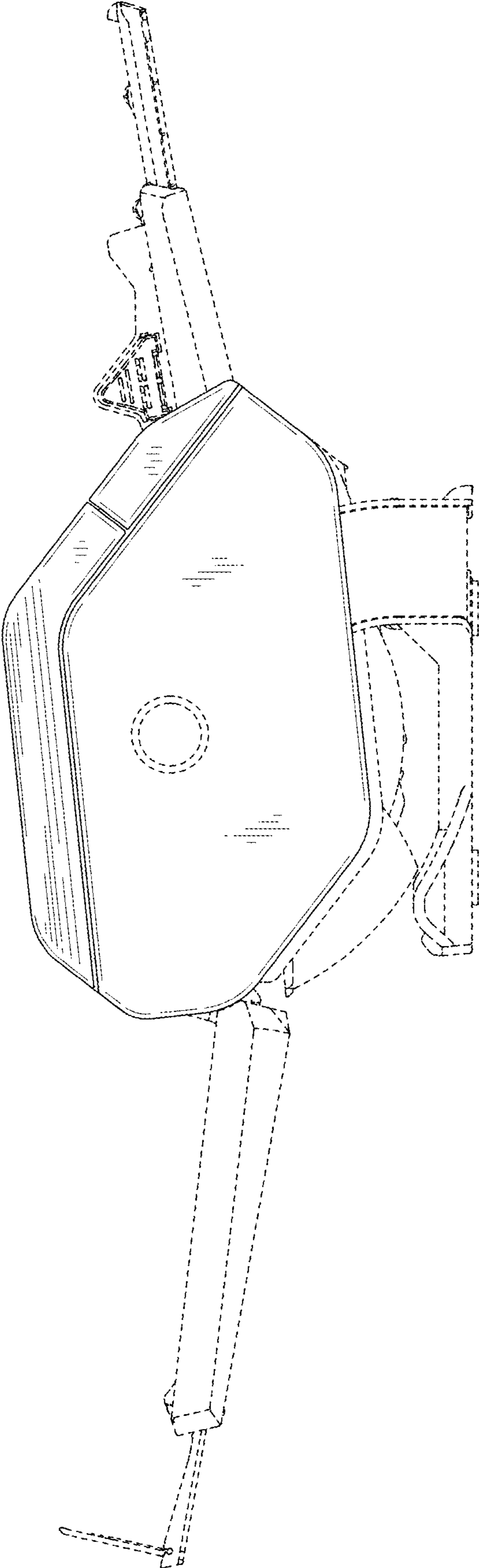


FIG.6



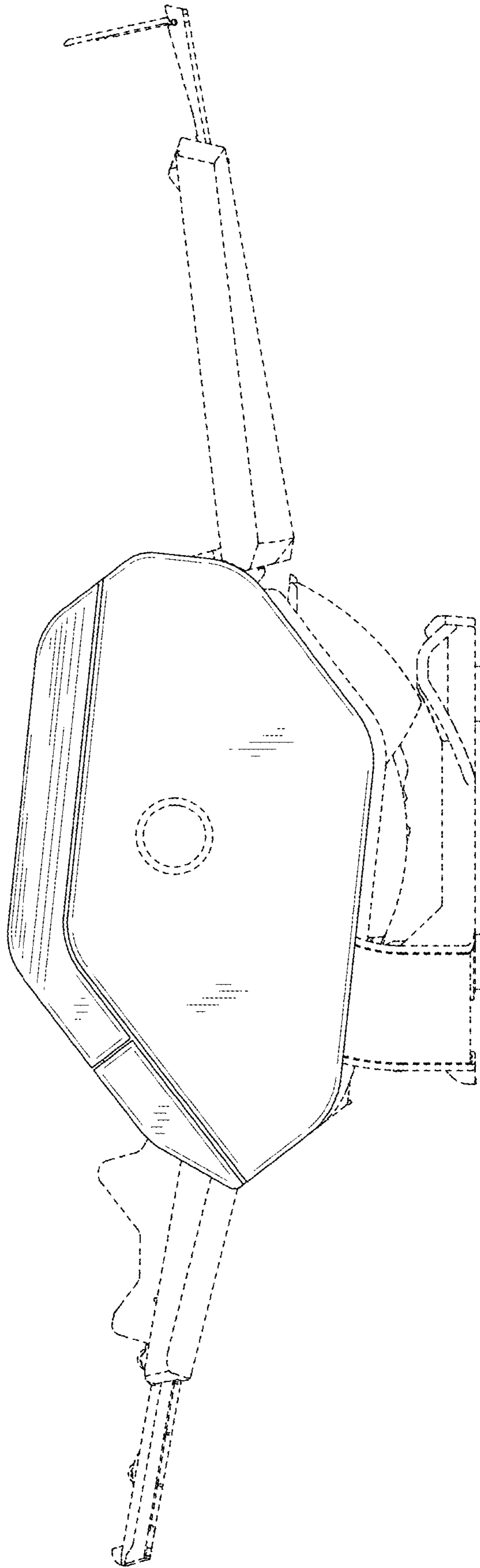


FIG.7