



US00D931284S

(12) **United States Design Patent**  
**Murase et al.**

(10) **Patent No.:** **US D931,284 S**  
(45) **Date of Patent:** **\*\* Sep. 21, 2021**

(54) **SCANNER**

(71) Applicant: **CANON DENSHI KABUSHIKI KAISHA**, Saitama (JP)

(72) Inventors: **Asako Murase**, Yokohama (JP);  
**Satoshi Shinata**, Yokohama (JP)

(73) Assignee: **Canon Denshi Kabushiki Kaisha**, Saitama (JP)

(\*\*) Term: **15 Years**

(21) Appl. No.: **29/703,024**

(22) Filed: **Aug. 23, 2019**

(30) **Foreign Application Priority Data**

Feb. 27, 2019 (JP) ..... 2019-004038

(51) **LOC (13) Cl.** ..... **14-02**

(52) **U.S. Cl.**  
USPC ..... **D14/422**

(58) **Field of Classification Search**

USPC ..... D14/421-425; D18/40, 36-39, 41,  
D18/44-56, 34.3; 235/462, 455, 470,  
235/462.43, 482, 483; 358/474, 486, 488,  
358/496, 498, 452, 449, 451, 453.1, 1.13,  
358/1.16; 318/685, 696; 355/81, 75;  
399/405, 367, 379, 380; 382/217;  
715/209, 222, 226, 274; 400/613,  
400/613.1-613.4, 690.1-690.4, 691-694;  
271/264, 127, 131, 117, 118, 162

CPC ..... H04N 1/00; H04N 1/12; H04N 1/00013;  
H04N 1/00015; H04N 1/00018; H04N  
1/00026; H04N 1/00557; H04N 1/00564;  
H04N 1/00567; H04N 1/0057; H04N  
1/00572; H04N 1/00586; H04N 1/00588;  
H04N 1/00591; H04N 1/00594; H04N  
1/00596; H04N 1/00604; H04N 1/00519;  
H04N 1/00559; H04N 1/1013; H04N  
1/10; H04N 1/00551; H04N 1/00278;  
H04N 2201/0081; H04N 2201/0456;  
H04N 2201/0446; H04N 2201/00; H04N

2201/0094; H04N 1/00525; H04N  
1/0049; H04N 1/00493; H04N 1/00496;  
H04N 1/00527; H04N 1/0053; H04N  
1/00533; H04N 1/00535; H04N 1/00538;  
H04N 1/00541; H04N 1/00543; H04N  
1/00037; H04N 1/00092; H04N 1/00702;  
H04N 1/02815; H04N 1/4076; H04N  
1/40056; H04N 1/02845; G03G 15/0142;  
G03G 15/605; G03G 15/602; B65H 5/26;  
B65H 5/30; B65H 7/00; B65H 2402/515;  
B65H 2402/31; B65H 2511/20; B65H  
2511/414; B65H 2511/00194; B65H  
2511/00198; B65H 2511/00202; B65H  
2511/00206;

(Continued)

(56) **References Cited**

U.S. PATENT DOCUMENTS

D571,370 S \* 6/2008 Sugitani ..... D14/422  
8,169,669 B2 \* 5/2012 Yoshida ..... H04N 1/00554  
358/471

(Continued)

*Primary Examiner* — Susan Moon Lee  
(74) *Attorney, Agent, or Firm* — Venable LLP

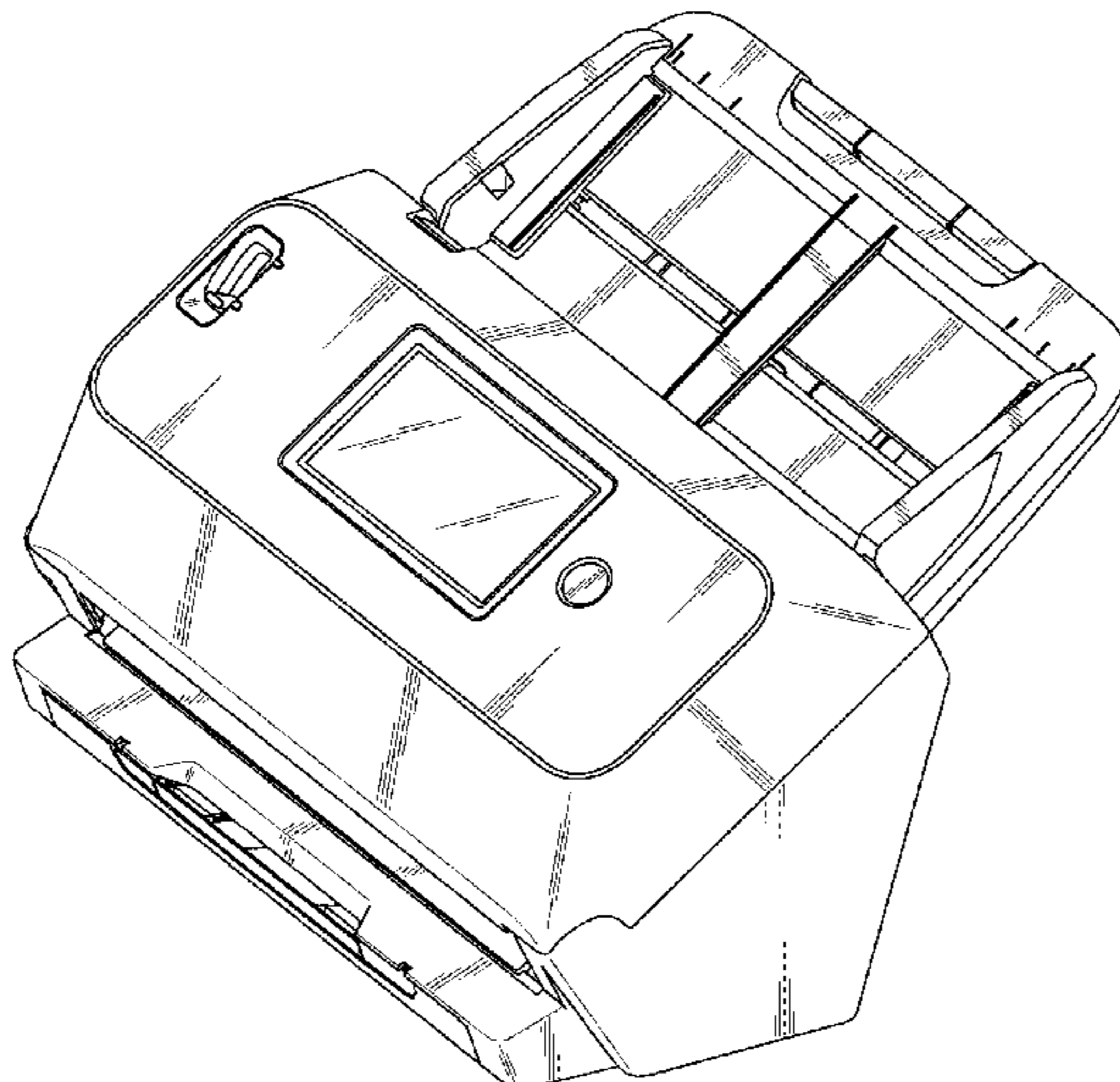
(57) **CLAIM**

The ornamental design for a scanner, as shown and described.

**DESCRIPTION**

FIG. 1 is a front, top perspective view of a scanner in accordance with the present design;  
FIG. 2 is a front view thereof;  
FIG. 3 is a back view thereof;  
FIG. 4 is a top view thereof;  
FIG. 5 is a bottom view thereof;  
FIG. 6 is a right side view thereof; and,  
FIG. 7 is a left side view thereof.

**1 Claim, 7 Drawing Sheets**



(58) **Field of Classification Search**  
 CPC ..... B65H 2301/00; B65H 2200/04; B65H  
 3/5261; B65H 2513/42  
 See application file for complete search history.

(56) **References Cited**

U.S. PATENT DOCUMENTS

D669,080 S \* 10/2012 Iwai ..... D14/422  
 8,330,998 B2 \* 12/2012 Yoshida ..... H04N 1/00519  
 358/474  
 D687,436 S \* 8/2013 Penke ..... D14/422  
 D689,866 S \* 9/2013 Anzai ..... D14/422  
 D700,908 S \* 3/2014 Taniho ..... D14/422  
 8,699,101 B2 \* 4/2014 Mukai ..... H04N 1/00989  
 358/498  
 D708,185 S \* 7/2014 Romanoff ..... D14/422  
 D713,845 S \* 9/2014 Taniho ..... D14/422  
 8,827,267 B2 \* 9/2014 Hongo ..... B65H 7/06  
 271/258.01  
 8,840,108 B2 \* 9/2014 Morikawa ..... B65H 7/125  
 271/263  
 D766,246 S \* 9/2016 Inada ..... D14/422  
 D776,118 S \* 1/2017 Ishida ..... D14/422  
 D794,640 S \* 8/2017 Shigeno ..... D14/422  
 D797,744 S \* 9/2017 Tan ..... D14/422  
 D813,871 S \* 3/2018 Egami ..... D14/422  
 D844,004 S \* 3/2019 Ishida ..... D14/422  
 D845,951 S \* 4/2019 Shigeno ..... D14/422  
 D848,427 S \* 5/2019 Hama ..... D14/422  
 D861,690 S \* 10/2019 Shibuya ..... D14/422  
 D861,691 S \* 10/2019 Shibuya ..... D14/422  
 10,584,005 B2 \* 3/2020 Harada ..... B65H 3/063  
 D912,054 S \* 3/2021 Isobe ..... D14/422  
 2004/0017459 A1 \* 1/2004 Kawaguchi ..... B41J 3/4071  
 347/104  
 2006/0145412 A1 \* 7/2006 Tagawa ..... B65H 7/125  
 271/258.01

2007/0188818 A1 \* 8/2007 Westcott ..... H04N 1/00583  
 358/296  
 2009/0230611 A1 \* 9/2009 Ngai ..... H04N 1/0053  
 271/145  
 2010/0053701 A1 \* 3/2010 Yoshida ..... H04N 1/00535  
 358/474  
 2010/0060948 A1 \* 3/2010 Yoshida ..... H04N 1/00554  
 358/474  
 2013/0056923 A1 \* 3/2013 Kuriki ..... B65H 1/02  
 271/145  
 2013/0056924 A1 \* 3/2013 Mizuno ..... B65H 31/00  
 271/162  
 2013/0057932 A1 \* 3/2013 Mukai ..... H04N 1/00535  
 358/498  
 2013/0135697 A1 \* 5/2013 Ukai ..... H04N 1/00543  
 358/498  
 2013/0163056 A1 \* 6/2013 Hanayama ..... H04N 1/0005  
 358/474  
 2014/0054850 A1 \* 2/2014 Umi ..... B65H 3/063  
 271/264  
 2014/0054851 A1 \* 2/2014 Morikawa ..... B65H 3/0653  
 271/264  
 2014/0061998 A1 \* 3/2014 Kasashima ..... B65H 5/06  
 271/10.11  
 2014/0063573 A1 \* 3/2014 Yonemura ..... H04N 1/00244  
 358/498  
 2014/0077440 A1 \* 3/2014 Umi ..... B65H 3/0661  
 271/109  
 2017/0043968 A1 \* 2/2017 Nagai ..... B65H 1/266  
 2017/0267476 A1 \* 9/2017 Miyagi ..... H04N 1/00588  
 2017/0279991 A1 \* 9/2017 Shiota ..... H04N 1/00588  
 2018/0007221 A1 \* 1/2018 Mokuo ..... H04N 1/00602  
 2018/0091695 A1 \* 3/2018 Suzuki ..... H04N 1/40056  
 2018/0176398 A1 \* 6/2018 Harada ..... B65H 31/02  
 2018/0179006 A1 \* 6/2018 Kogi ..... B65H 7/125  
 2018/0194579 A1 \* 7/2018 Harada ..... B65H 1/027

\* cited by examiner

**FIG. 1**

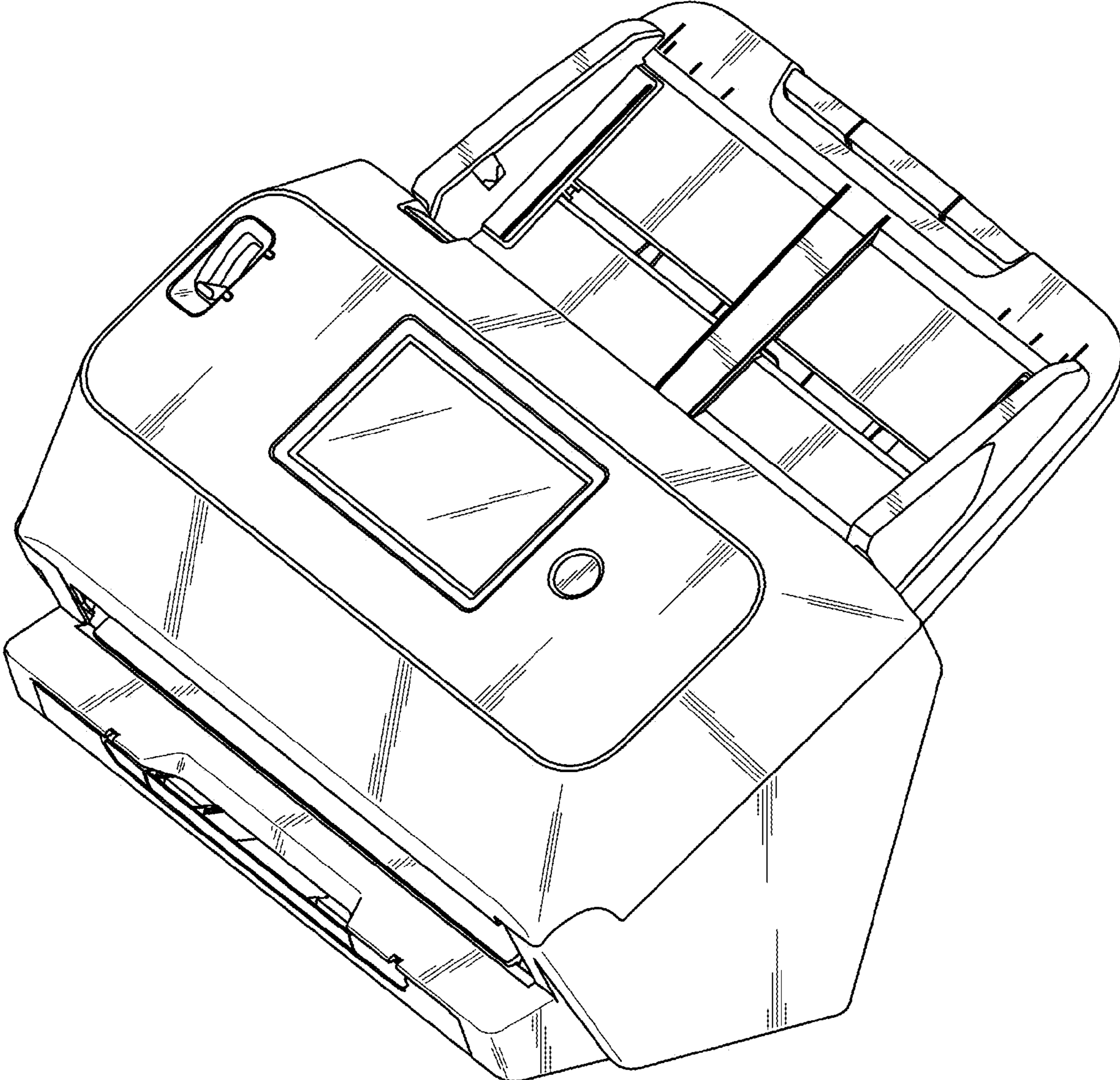
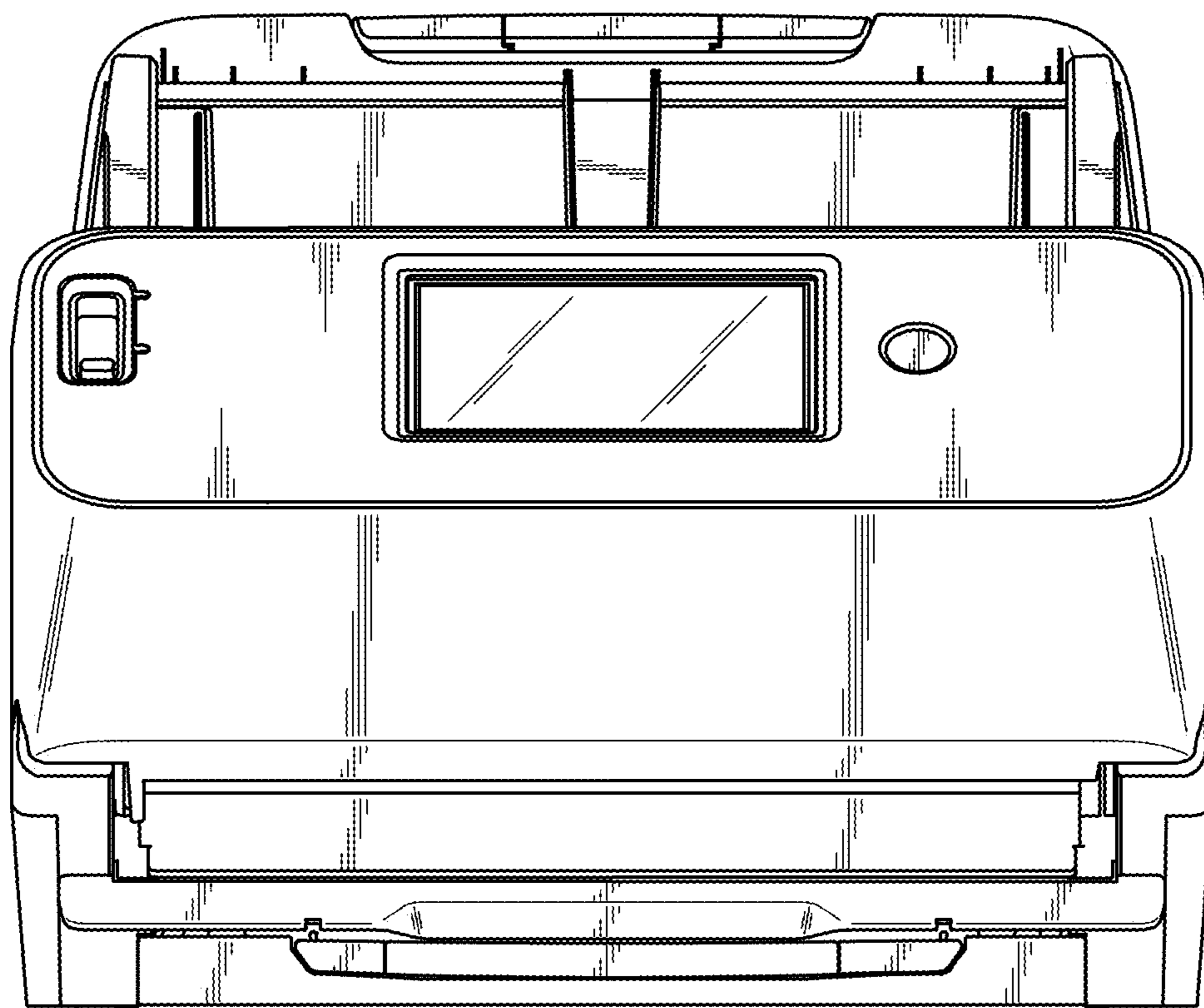
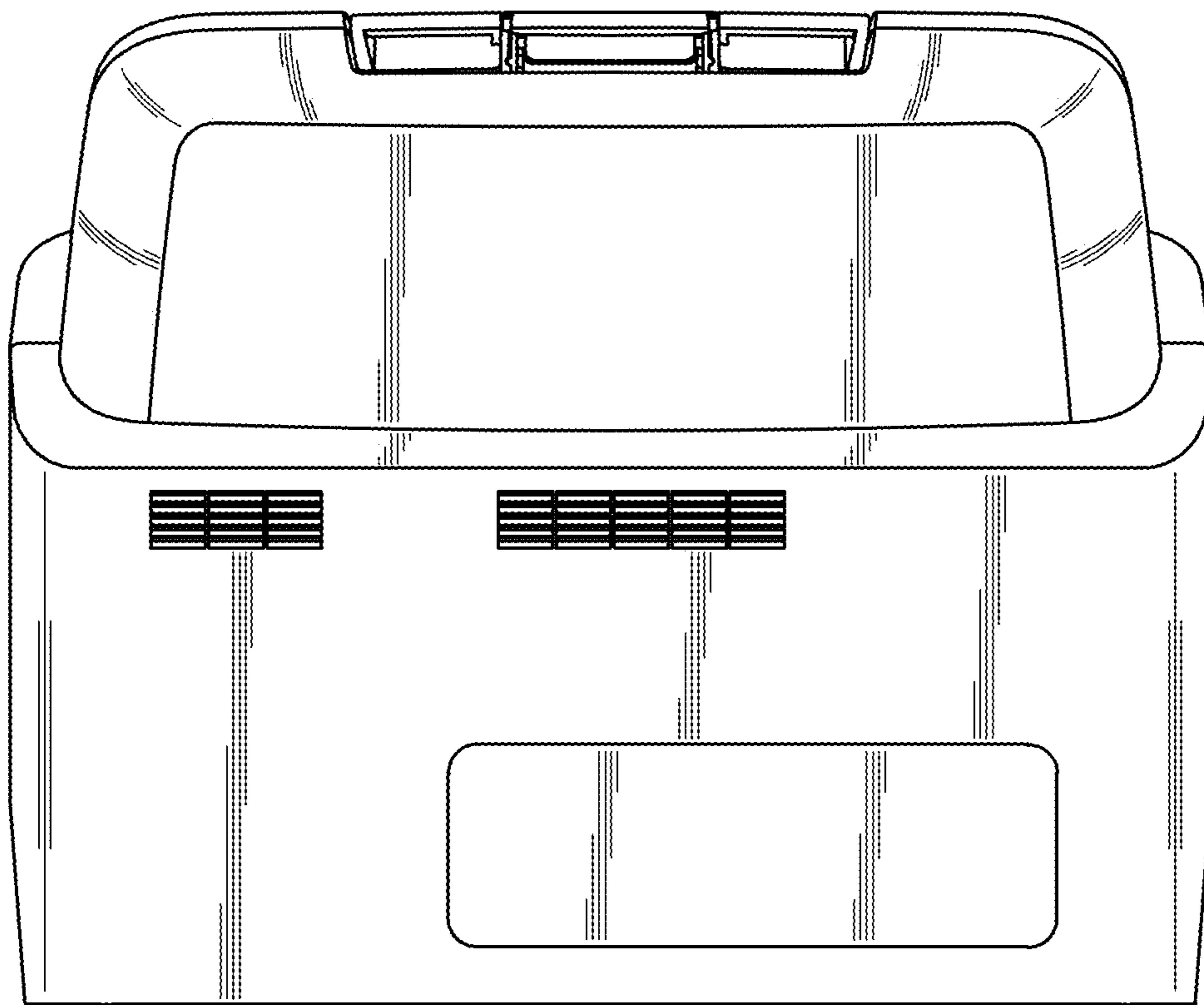


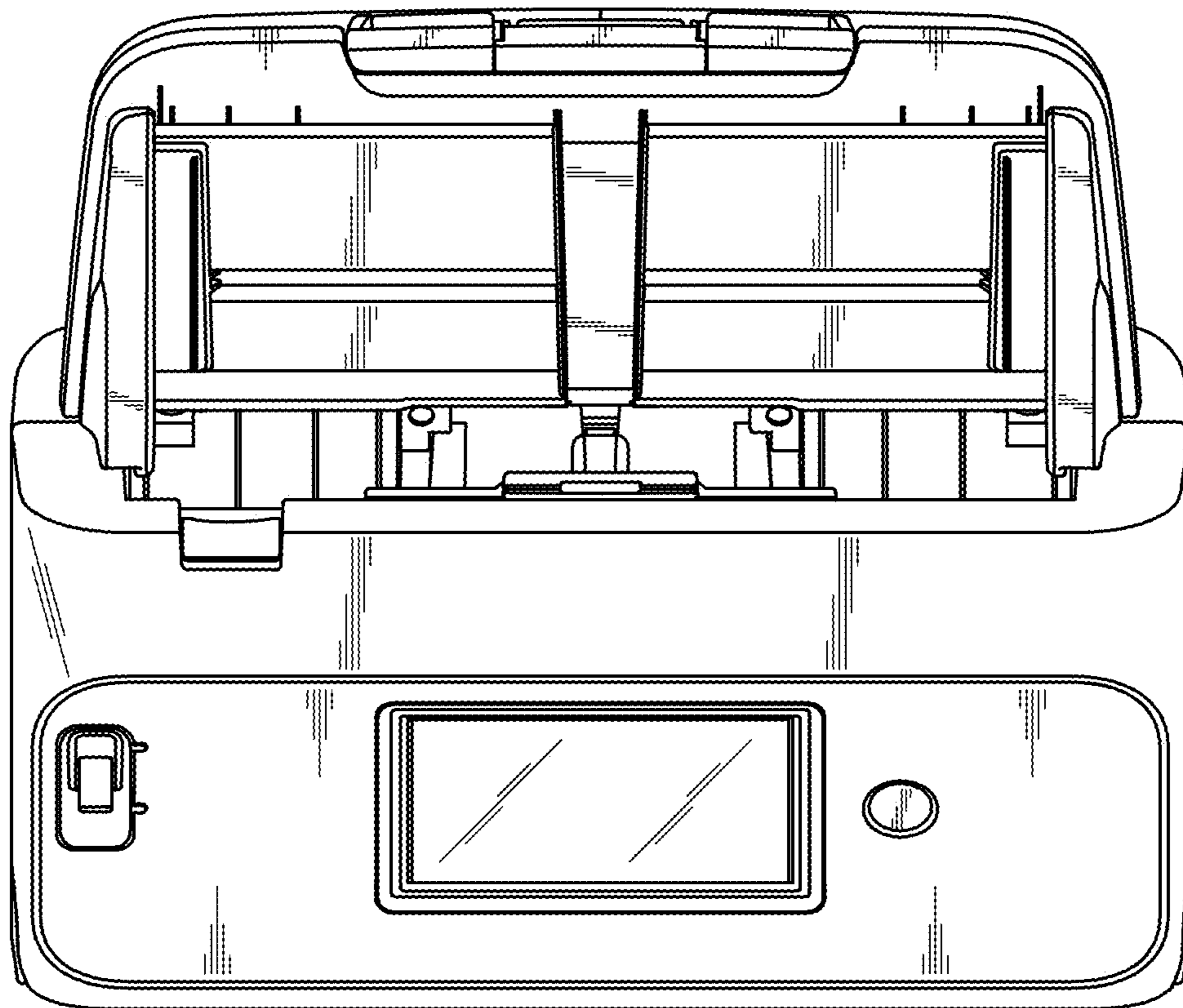
FIG. 2



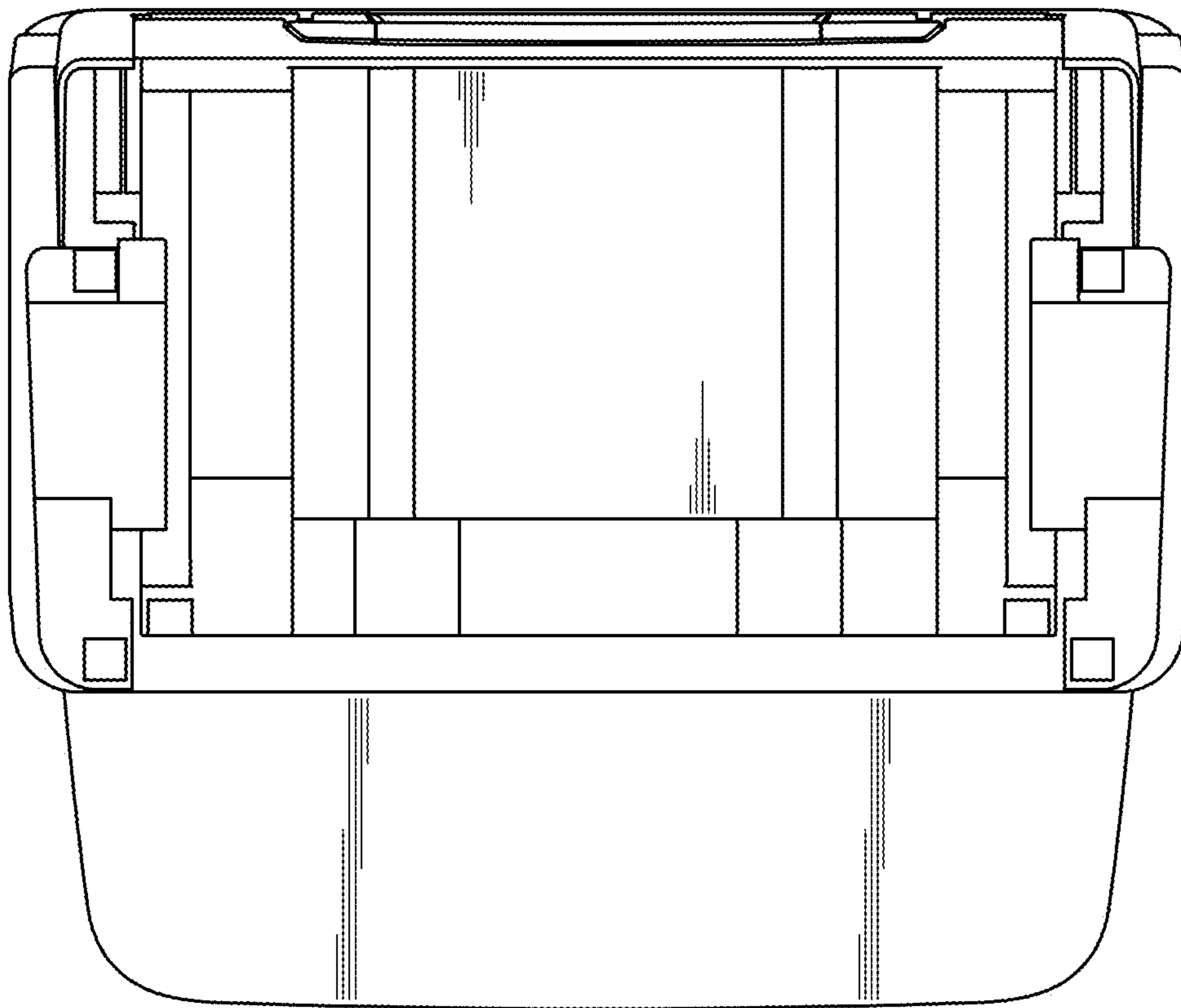
**FIG. 3**



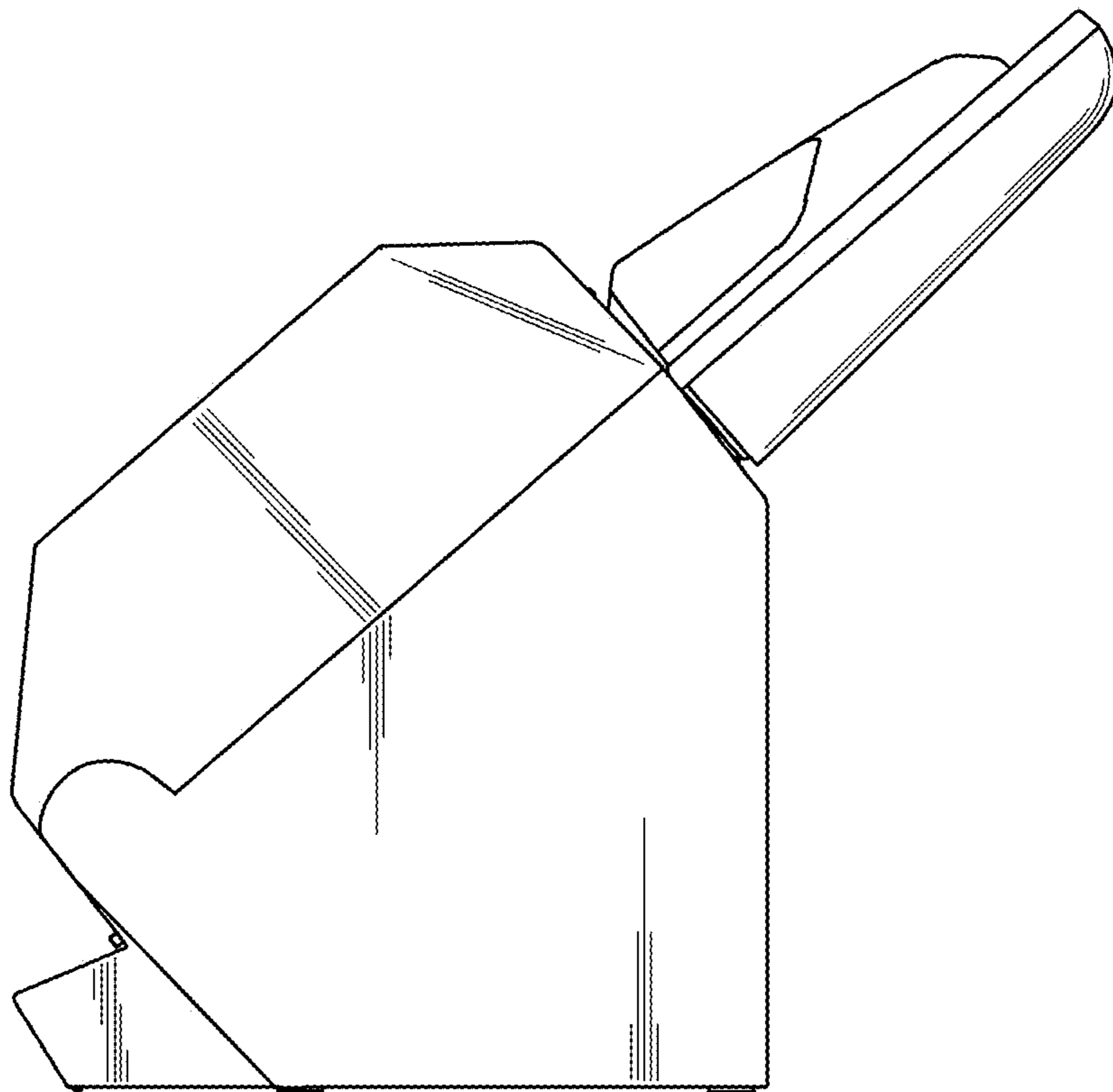
**FIG. 4**



**FIG. 5**



**FIG. 6**





**FIG. 7**

