



US00D931282S

(12) **United States Design Patent** (10) **Patent No.:** **US D931,282 S**
Turk et al. (45) **Date of Patent:** **** *Sep. 21, 2021**

(54) **USER INTERFACE FOR A MACHINE**
(71) Applicant: **Lincoln Global, Inc.**, Santa Fe Springs, CA (US)
(72) Inventors: **Brian M. Turk**, Sagamore Hills, OH (US); **Joseph R. Brusky**, Willowick, OH (US); **Alexander C. Mehlman**, Strongsville, OH (US)
(73) Assignee: **LINCOLN GLOBAL, INC.**, Santa Fe Springs, CA (US)
(*) Notice: This patent is subject to a terminal disclaimer.
(**) Term: **15 Years**
(21) Appl. No.: **29/734,756**
(22) Filed: **May 15, 2020**
(51) **LOC (13) Cl.** **14-02**
(52) **U.S. Cl.**
USPC **D14/388**; D14/443; D13/164
(58) **Field of Classification Search**
USPC D13/162, 164, 171, 174; D10/50; D14/157, 188, 217, 257, 258, 308, 388, D14/441, 443
CPC H01H 3/02; H01H 3/022; H01H 3/12; H01H 3/122; H01H 9/02; H01H 9/0235; H01H 13/023; H01H 13/04; H01H 13/06; H01H 13/063; H01H 13/10; H01H 13/12; H01H 13/142; H01H 13/20; H01H 13/30; H01H 13/36; H01H 13/70; H01H 13/86; H01H 21/24; H01H 25/065; H01H 23/02; H01H 23/025; H01H 23/04; H01H 23/08; H01H 23/145; H04B 1/08; H04B 1/082; G05B 19/409; G05B 2219/23406; H05K 5/00; H05K 5/0017; H05K 5/02; H05K 5/0217; H05K 5/03

See application file for complete search history.

(56) **References Cited**
U.S. PATENT DOCUMENTS
D413,589 S * 9/1999 Attwood D14/443
D541,798 S * 5/2007 Ichida D13/162.1
D549,184 S * 8/2007 Riley D13/164
D559,792 S * 1/2008 Gemme D13/162
D602,931 S * 10/2009 Kaner D12/192
D608,785 S * 1/2010 Hsu D14/443
D612,339 S * 3/2010 Braun D13/168
(Continued)

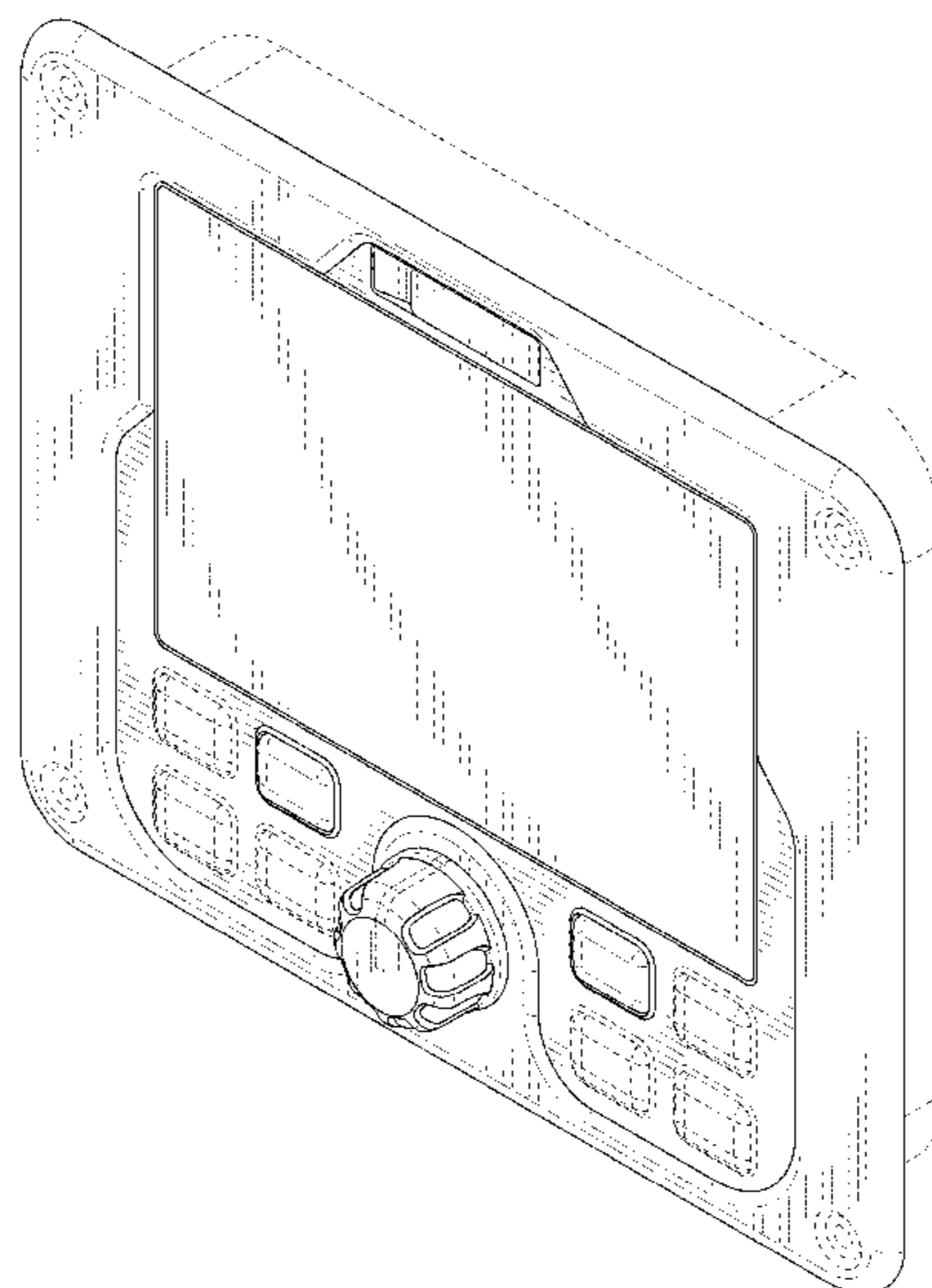
OTHER PUBLICATIONS
Speedtec 215C; Mar. 2016; 1 pg. <https://www.lincolnelectric.com/en-gb/company/newsroom/Pages/speedtec-215C-launch.aspx>.
(Continued)

Primary Examiner — Selina Sikder
(74) *Attorney, Agent, or Firm* — Brad C. Spencer

(57) **CLAIM**
The ornamental design for a user interface for a machine, as shown and described.

DESCRIPTION
FIG. 1 is a front perspective view of the design for a user interface for a machine;
FIG. 2 is a front elevational view thereof;
FIG. 3 is a rear elevational view thereof;
FIG. 4 is a right side elevational view thereof;
FIG. 5 is a left side elevational view thereof;
FIG. 6 is a top plan view thereof;
FIG. 7 is a bottom plan view thereof; and,
FIG. 8 is a front perspective view of the design for a user interface for a machine showing the user interface mounted on a machine, to illustrate a typical environment in which the user interface would be used.
In these drawings, the solid lines illustrate the claimed ornamental design, whereas the broken lines illustrate environmental features that form no part of the claimed ornamental design.

1 Claim, 6 Drawing Sheets



(56)

References Cited

U.S. PATENT DOCUMENTS

9,003,923 B2 * 4/2015 Sato F16P 1/00
74/612
D765,042 S * 8/2016 Shimohama D13/164
D802,540 S * 11/2017 Kurokawa D13/164
D870,682 S * 12/2019 Lin D13/164
2011/0156884 A1 * 6/2011 Tsuchimochi G08C 19/16
340/12.1
2016/0048121 A1 * 2/2016 Shinohara G05B 19/409
700/179
2019/0302845 A1 * 10/2019 Komazaki B60R 11/0235
2020/0377035 A1 * 12/2020 Matthews H05K 5/0017

OTHER PUBLICATIONS

Schneider Remote Graphic Keypad for Altivar Inverter, IP54 ;
retrieved on May 20, 2021; 1pg. ; <https://inverterdrive.com/group/Accessories/Schneider-VW3A1101/>.*

* cited by examiner

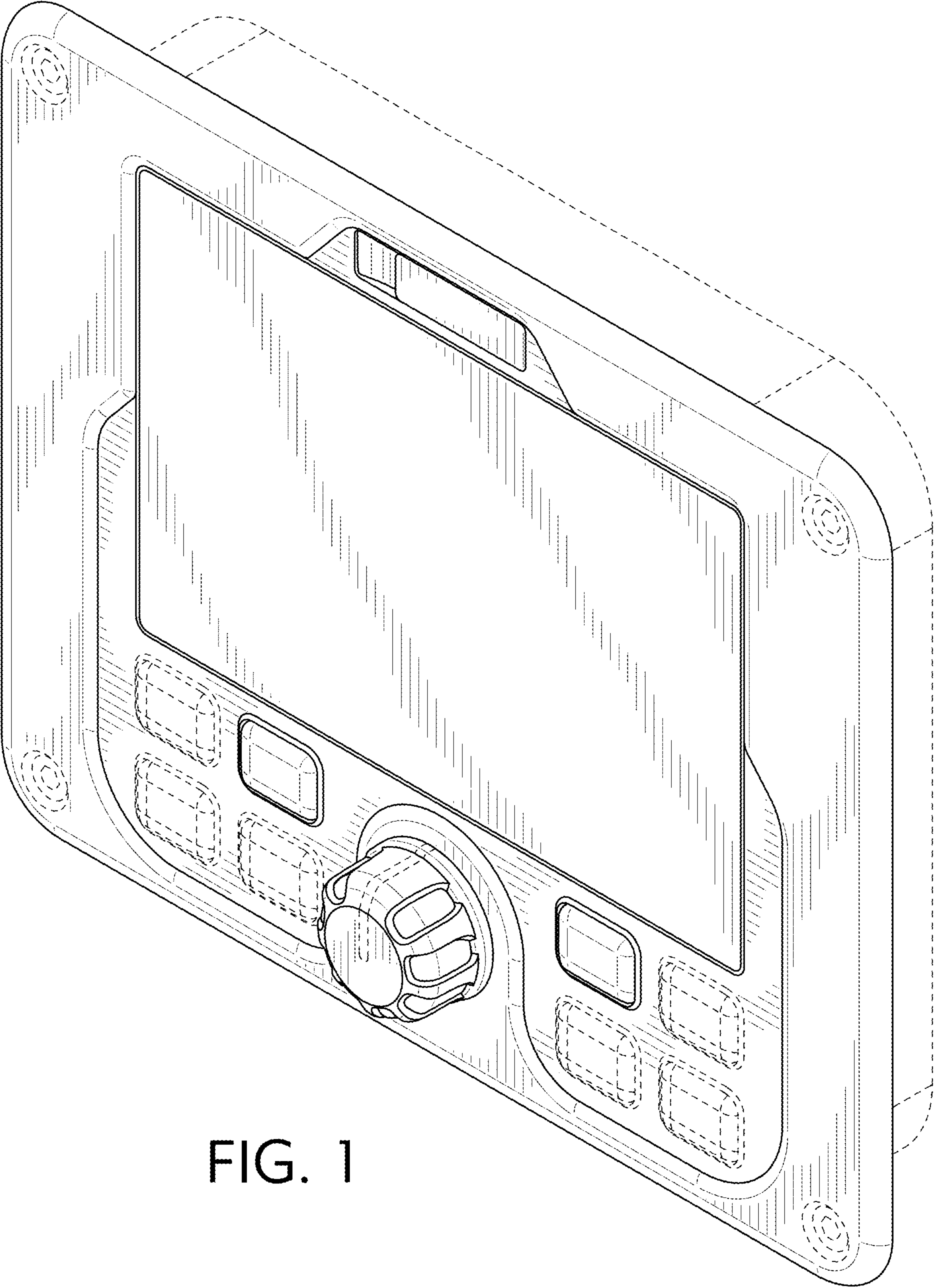


FIG. 1

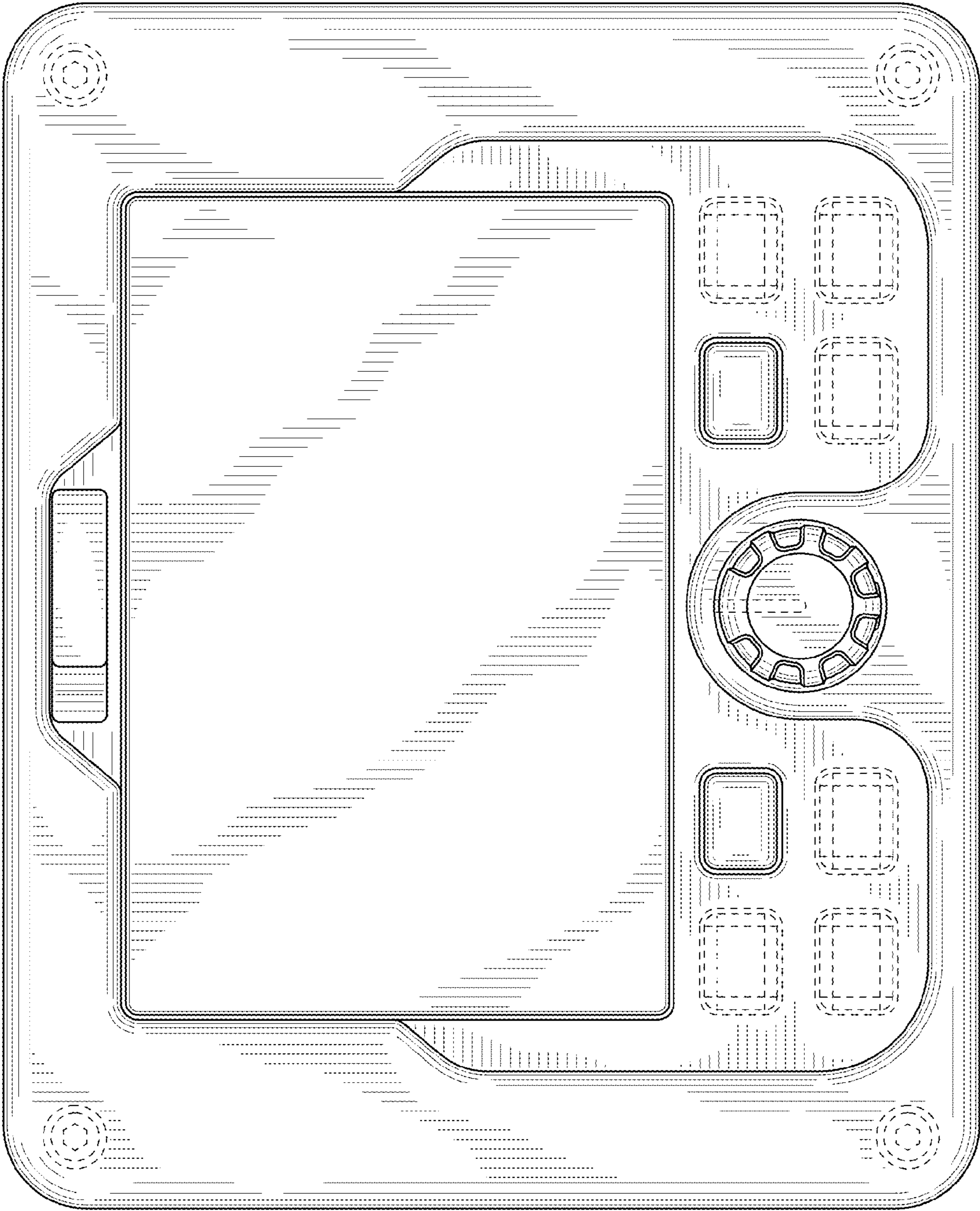


FIG. 2

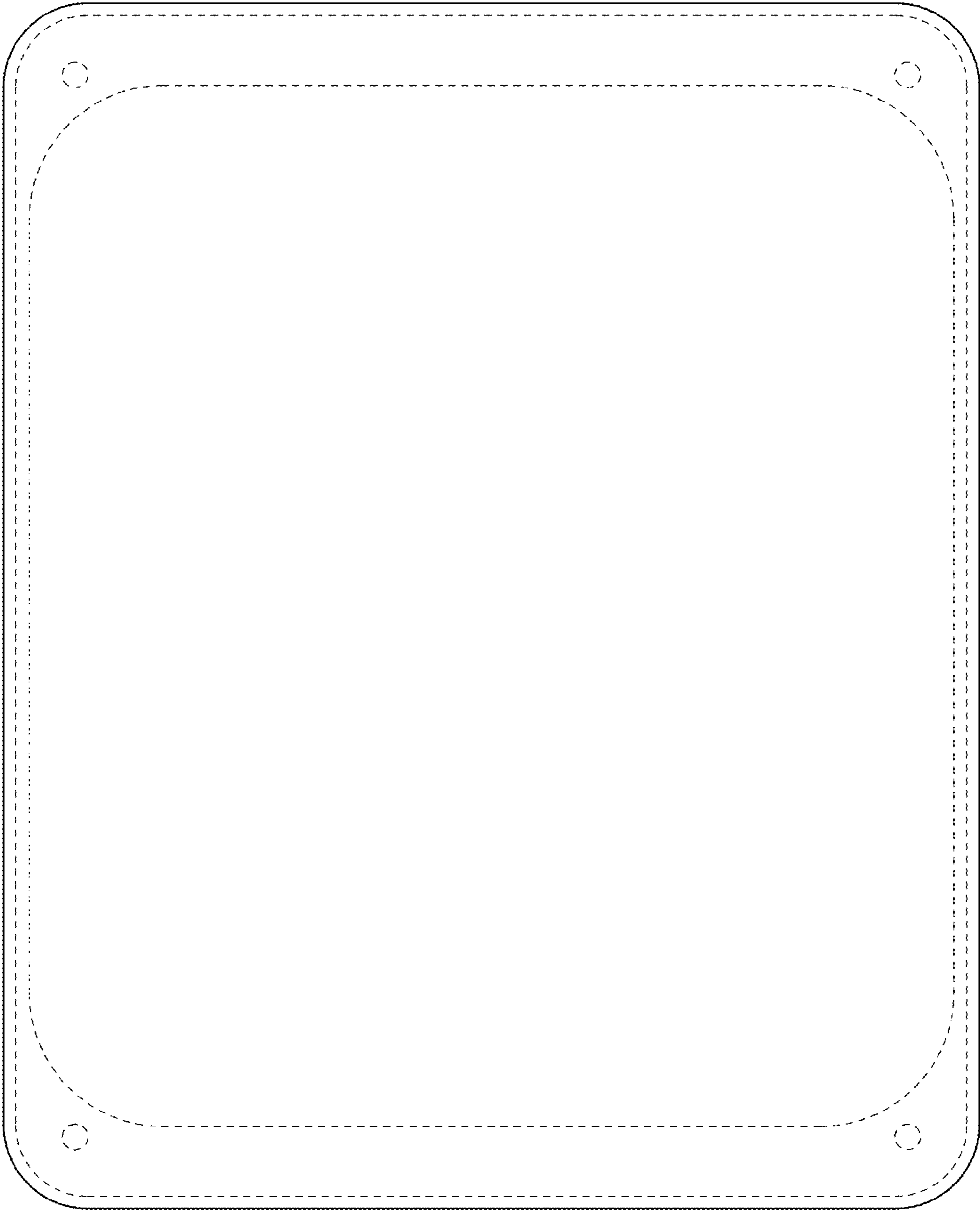


FIG. 3

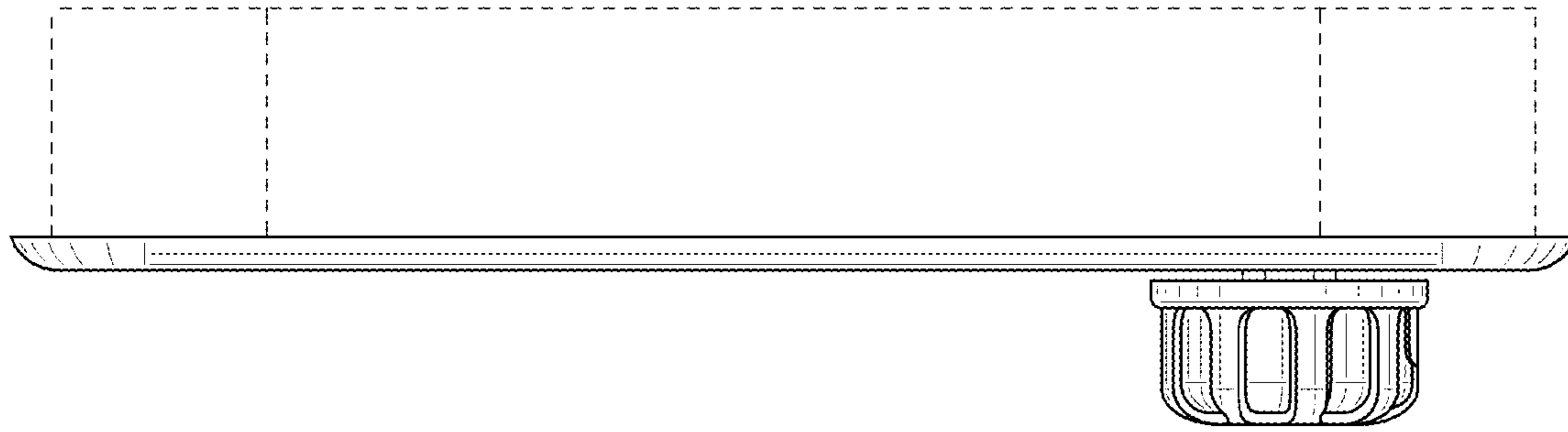


FIG. 4

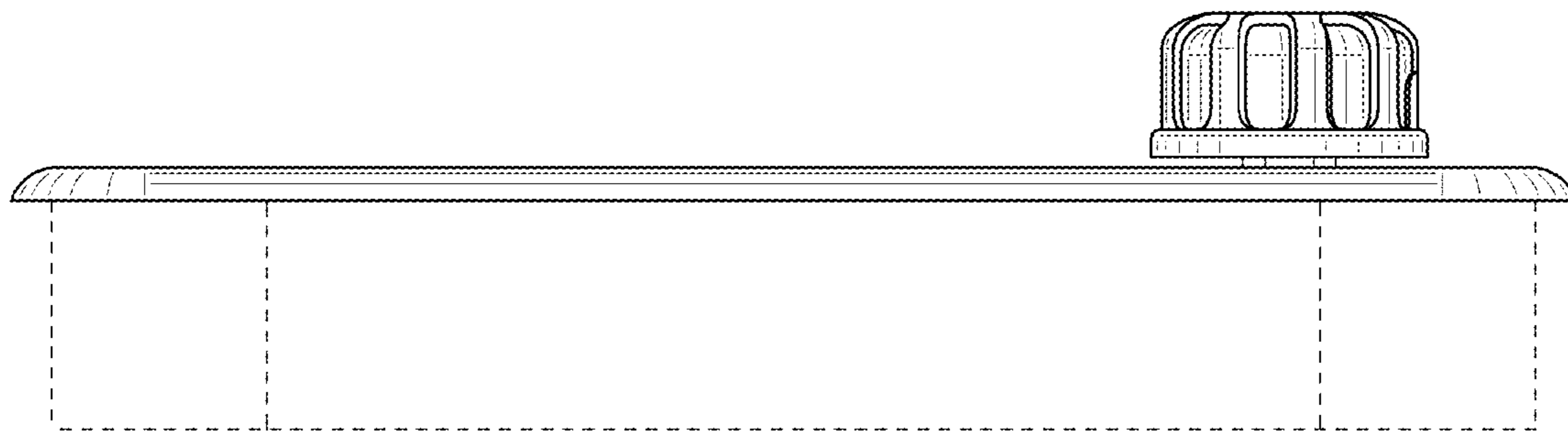


FIG. 5

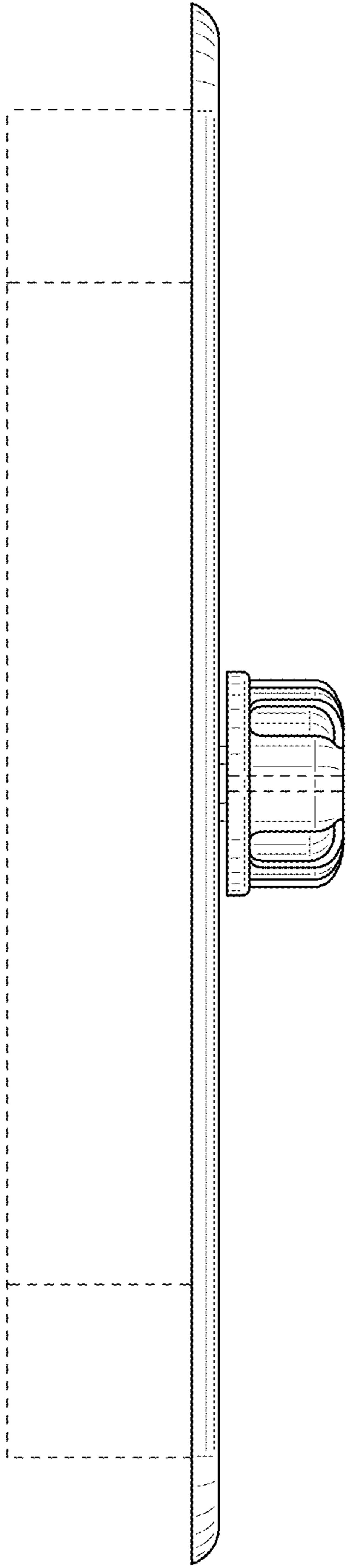


FIG. 6

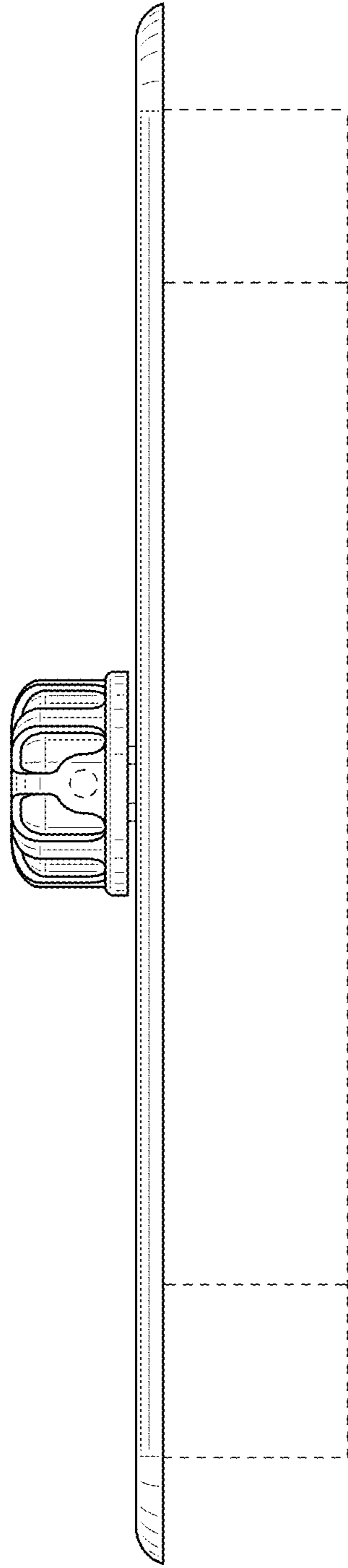


FIG. 7

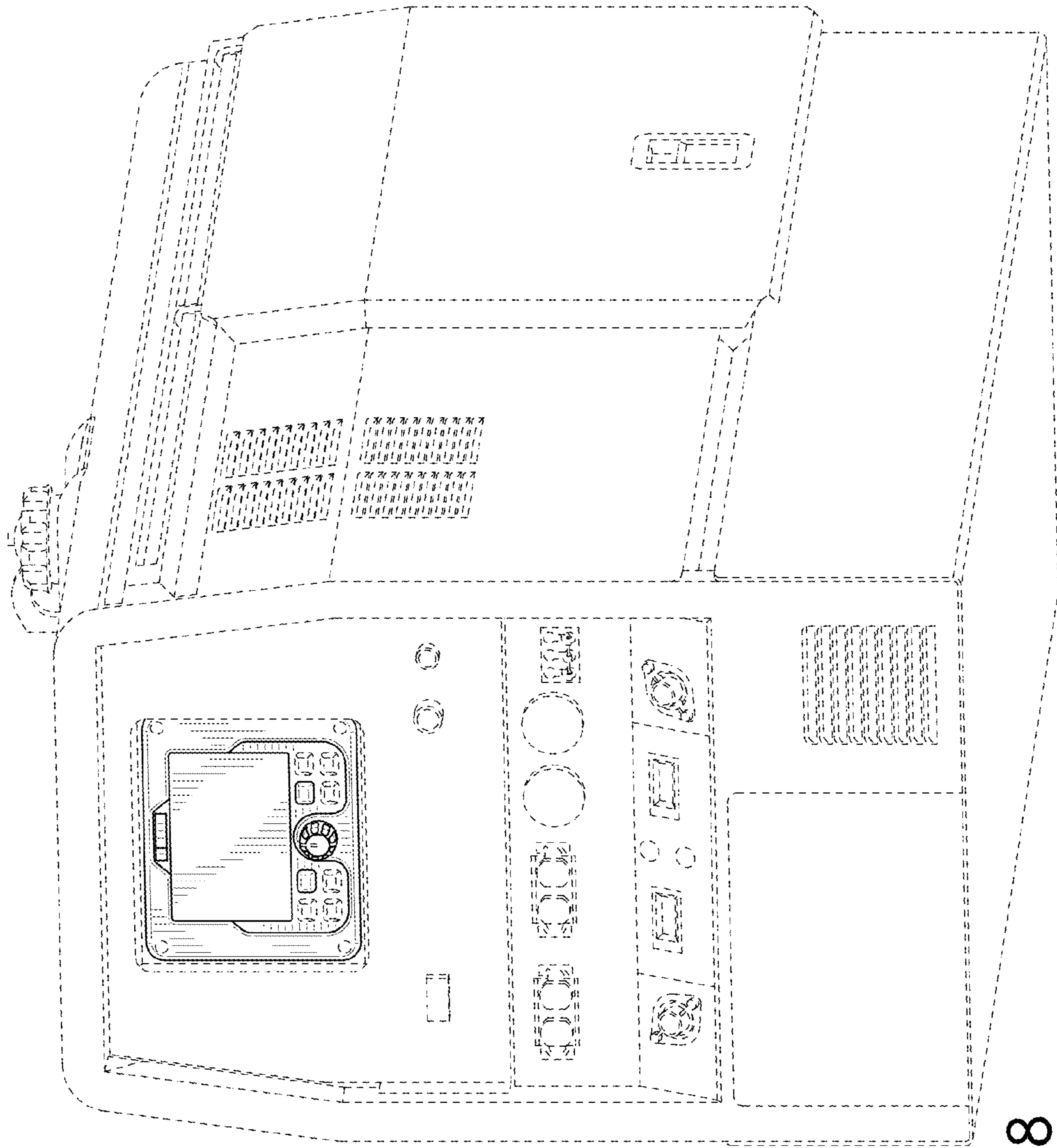


FIG. 8