



US00D931280S

(12) **United States Design Patent** (10) **Patent No.:** **US D931,280 S**
Kangasmaa et al. (45) **Date of Patent:** **** Sep. 21, 2021**

(54) **MULTIMEDIA EDITING CONSOLE**

(71) Applicant: **LoupeDeck Oy**, Helsinki (FI)

(72) Inventors: **Heikki Kangasmaa**, Espoo (FI); **Pauli Seppinen**, Vantaa (FI)

(73) Assignee: **LoupeDeck Oy**, Helsinki (FI)

(**) Term: **15 Years**

(21) Appl. No.: **29/720,063**

(22) Filed: **Jan. 9, 2020**

(30) **Foreign Application Priority Data**

Jul. 10, 2019 (EM) 006619896

(51) **LOC (13) Cl.** **14-02**

(52) **U.S. Cl.**
USPC **D14/388**; D14/239; D14/217

(58) **Field of Classification Search**
USPC D14/388, 389, 390, 396, 397, 398, 399,
D14/400, 401, 454, 455, 356, 357, 496,
D14/217, 218, 239, 168; D21/324-333,
D21/517, 512; D13/162, 162.1, 163;
D10/106.9, 106.95; D12/174; D24/185,
D24/186

CPC H04N 5/262; H04N 5/265; G06F 1/169;
G06F 3/002; G06F 3/016; G06F 3/02;
G06F 3/0219; G06F 15/0225; G06F
2221/0724; G06F 3/167

See application file for complete search history.

(56) **References Cited**

U.S. PATENT DOCUMENTS

D237,977 S	*	12/1975	Isaacs	D14/338
D291,196 S	*	8/1987	Ito	D14/162
D305,430 S	*	1/1990	Cohen	D14/239
D309,455 S	*	7/1990	Staley	D14/239
D323,506 S	*	1/1992	Breslau	D14/217
D337,120 S	*	7/1993	Staley	D14/239
D338,015 S	*	8/1993	Mohri	D14/239

D338,016 S	*	8/1993	Mohri	D14/239
D340,916 S	*	11/1993	Iimura	D13/162
D341,833 S	*	11/1993	MacKay	D14/217
D341,834 S	*	11/1993	MacKay	D14/217
D343,622 S	*	1/1994	Hanke	D14/239
D349,290 S	*	8/1994	Christensen	D14/217
D355,655 S	*	2/1995	Burke	D14/217
D359,954 S	*	7/1995	Shimizu	D14/388
D364,389 S	*	11/1995	Shimizu	D14/389
D366,261 S	*	1/1996	Splane, Jr.	D14/399
D372,478 S	*	8/1996	Ricotta	D14/217
D381,325 S	*	7/1997	McMahan	D14/388

(Continued)

FOREIGN PATENT DOCUMENTS

WO WO-2018007679 A1 * 1/2018 G06F 3/0219

OTHER PUBLICATIONS

Loupedeck Review—The video editing console thats easy to set up.
(online) 3 pgs. Posted Dec. 21, 2018. [Retrieved Apr. 2, 2021]
<https://www.videomaker.com/reviews/computer-equipment/loupedeck-review-the-video-editing-console-thats-easy-to-set-up/>.*

Primary Examiner — Marie D. Fast Horse
(74) *Attorney, Agent, or Firm* — Ziegler IP Law Group, LLC

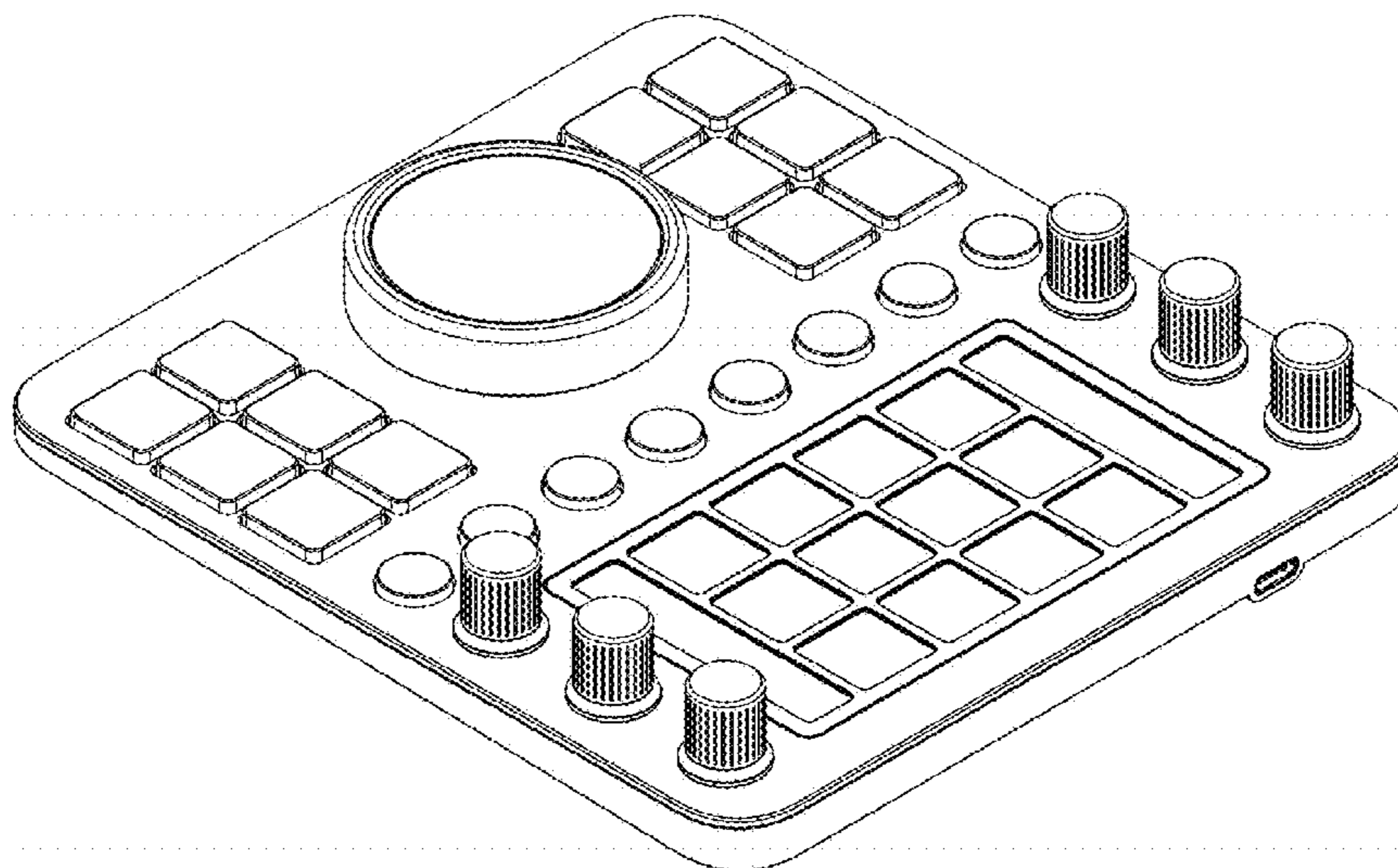
(57) **CLAIM**

The ornamental design for a multimedia editing console, as shown and described.

DESCRIPTION

FIG. 1 is a perspective view of a multimedia editing console showing the new design;
FIG. 2 is a front side view thereof;
FIG. 3 is a back side view thereof;
FIG. 4 is a side view thereof;
FIG. 5 is a top view thereof;
FIG. 6 is a side view thereof; and,
FIG. 7 is a bottom view thereof.

1 Claim, 7 Drawing Sheets



(56)

References Cited

U.S. PATENT DOCUMENTS

D385,854 S *	11/1997	Sumii	D14/399	D622,257 S *	8/2010	Hansson	D14/168
D386,500 S *	11/1997	Matsumoto	D14/239	D624,899 S *	10/2010	Hansson	D14/168
D395,285 S *	6/1998	Allon	D14/388	D628,981 S *	12/2010	Mazur	D14/217
D411,530 S *	6/1999	Carter	D14/217	D687,019 S *	7/2013	O'Donnell	D14/217
D417,450 S *	12/1999	Kurachi	D14/168	D689,486 S *	9/2013	O'Donnell	D14/388
D421,011 S *	2/2000	Natori	D14/168	D715,265 S *	10/2014	Kuramoto	D14/217
D421,975 S *	3/2000	Steel	D14/217	D715,267 S *	10/2014	Tschetter	D14/217
D429,233 S *	8/2000	Komiyama	D14/167	D728,571 S *	5/2015	Perris	D14/399
D434,397 S *	11/2000	Sasago	D14/125	D743,942 S *	11/2015	Tschetter	D14/217
D448,756 S *	10/2001	Lewellen	D14/217	D765,058 S *	8/2016	Matsubayashi	D14/217
D449,292 S *	10/2001	Miyazaki	D14/217	D767,537 S *	9/2016	Matsubayashi	D14/217
D454,552 S *	3/2002	Nakane	D14/168	D771,594 S *	11/2016	Hong	D14/217
D454,855 S *	3/2002	Nakane	D14/168	D771,595 S *	11/2016	Medas	D14/217
D463,401 S *	9/2002	Miyazaki	D14/217	D789,932 S *	6/2017	Chu	D14/388
D475,050 S *	5/2003	Klein	D14/391	D791,134 S *	7/2017	Chu	D14/388
D484,886 S *	1/2004	Matsuoka	D14/388	D803,814 S *	11/2017	Harms	D14/217
D496,922 S *	10/2004	Kimura	D14/500	D815,064 S *	4/2018	Garncarz	D14/217
D500,027 S *	12/2004	Takahashi	D14/217	D826,935 S *	8/2018	Son	D14/358
D512,409 S *	12/2005	Ishizaki	D14/168	D826,938 S *	8/2018	Son	D14/388
D512,706 S *	12/2005	Nakane	D14/168	D827,645 S *	9/2018	Raken	D14/388
D518,022 S *	3/2006	Ishizaki	D14/168	D832,822 S *	11/2018	Cho	D14/217
D553,118 S *	10/2007	Williamson	D14/168	D834,020 S *	11/2018	Pascucci	D14/399
D553,620 S *	10/2007	Schroeder	D14/399	D846,528 S *	4/2019	Kuramoto	D14/217
D560,203 S *	1/2008	Williamson	D14/168	D846,529 S *	4/2019	Yang	D14/217
D578,514 S *	10/2008	Mazur	D14/217	D850,411 S *	6/2019	Rowe	D14/217
D583,798 S *	12/2008	Iijima	D14/168	D870,077 S *	12/2019	Kobayashi	D14/217
D589,961 S *	4/2009	Hackenberg	D14/388	D872,056 S *	1/2020	Akaishi	D14/217
D593,544 S *	6/2009	Iijima	D14/217	D881,268 S *	4/2020	Kuramoto	D14/217
D602,022 S *	10/2009	Heck	D14/388	D890,754 S *	7/2020	Raken	D14/388
D615,544 S *	5/2010	Pascucci	D14/399	D895,574 S *	9/2020	Schillebeeckx	D14/217
D615,555 S *	5/2010	Ho	D14/496	D910,597 S *	2/2021	Akaishi	D14/217
D616,410 S *	5/2010	Sonoda	D14/168	D912,718 S *	3/2021	Jobetto	D16/237
				2005/0231642 A1 *	10/2005	Roman	G10H 1/46 348/578
				2021/0064231 A1 *	3/2021	Seppinen	G06F 3/167

* cited by examiner

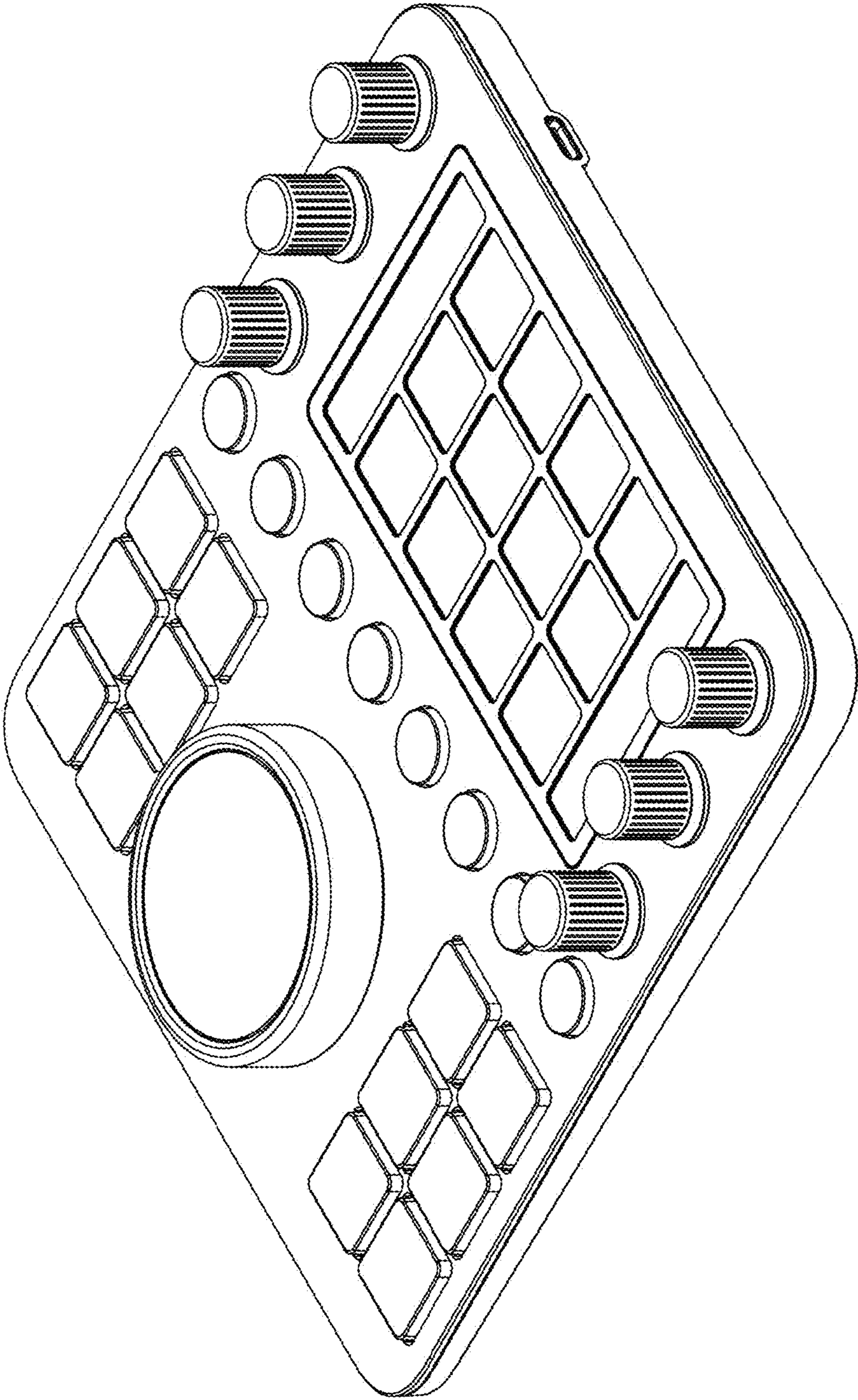


FIG. 1

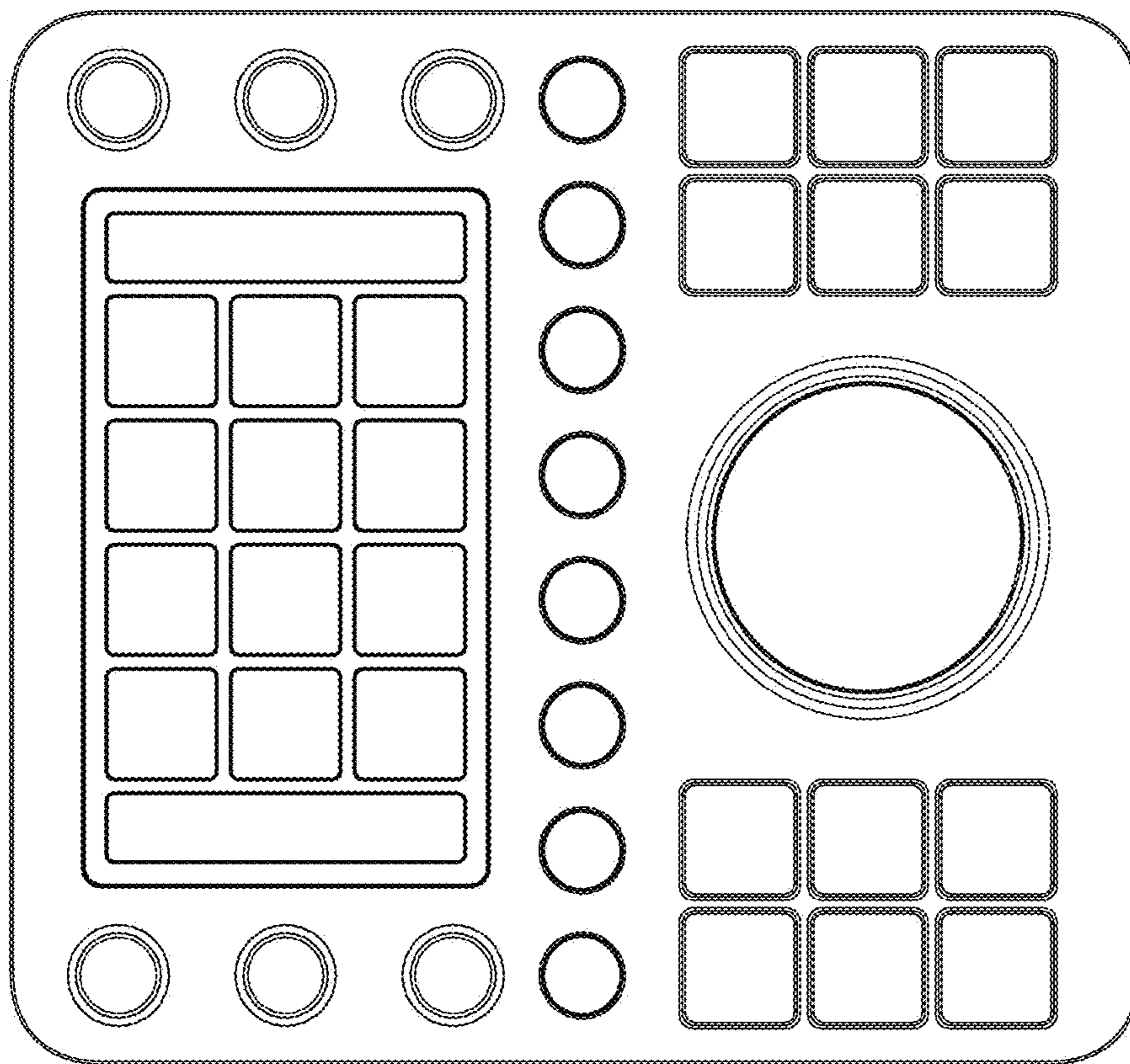


FIG. 2

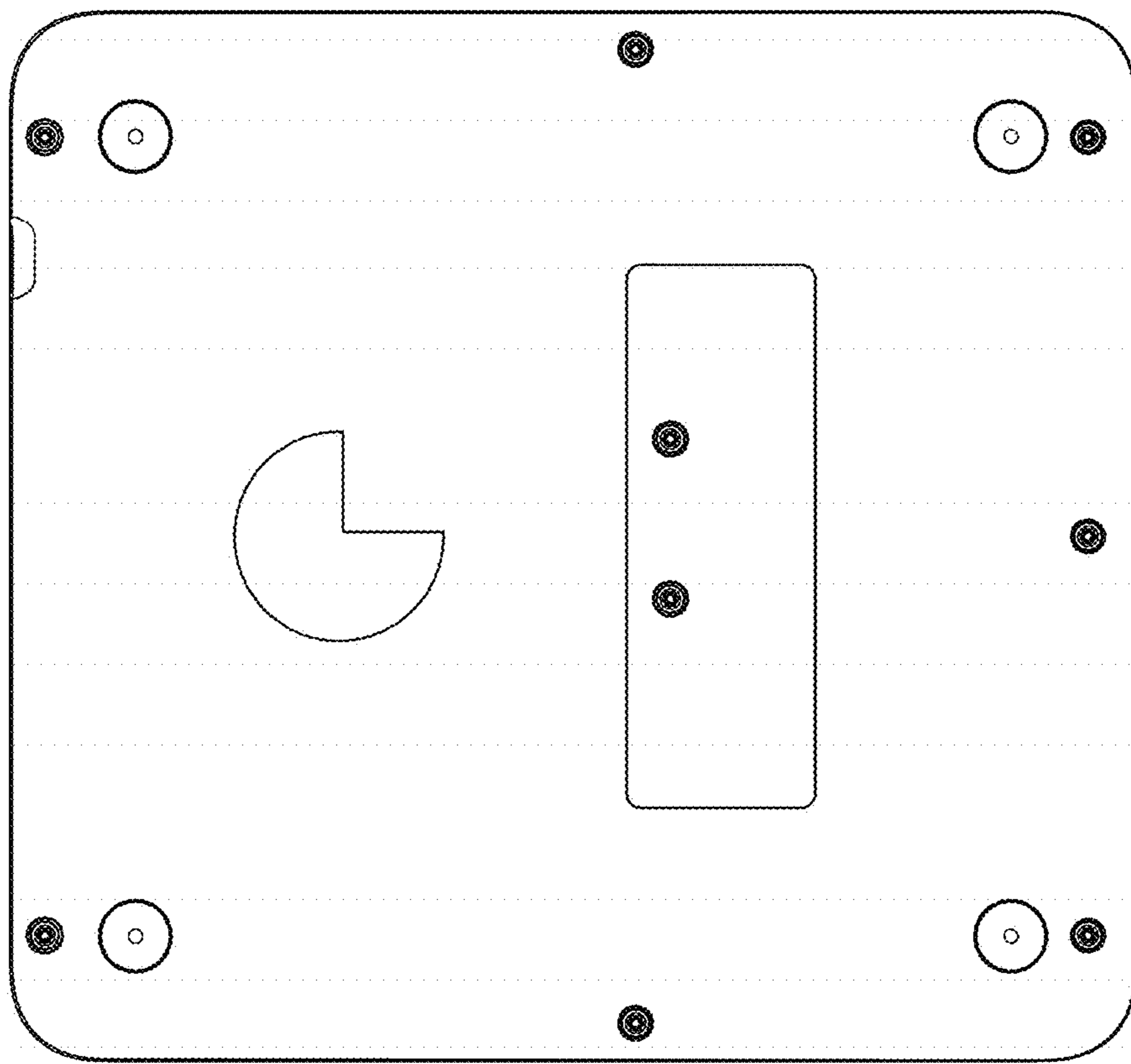


FIG. 3

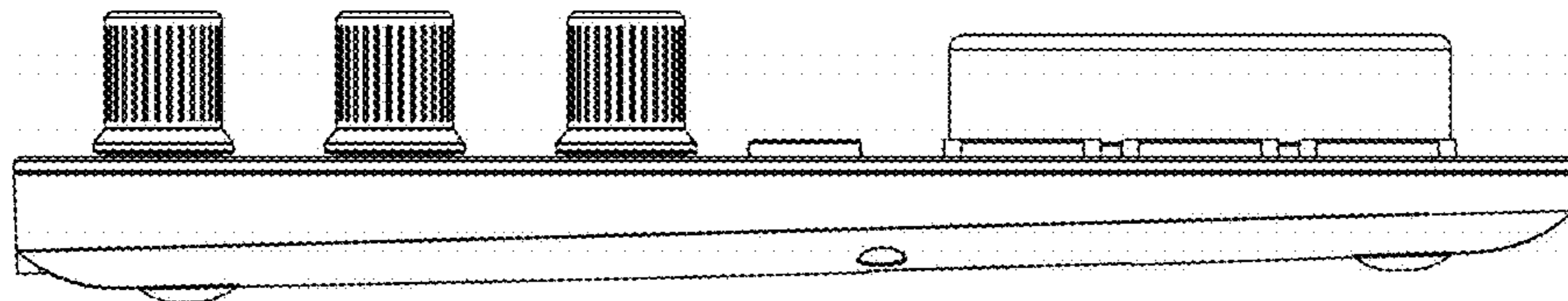


FIG. 4

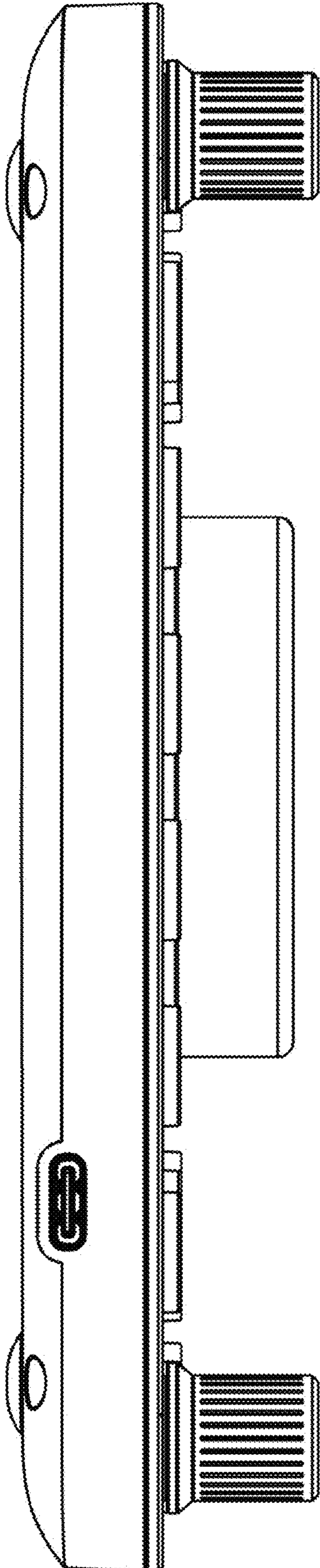


FIG. 5

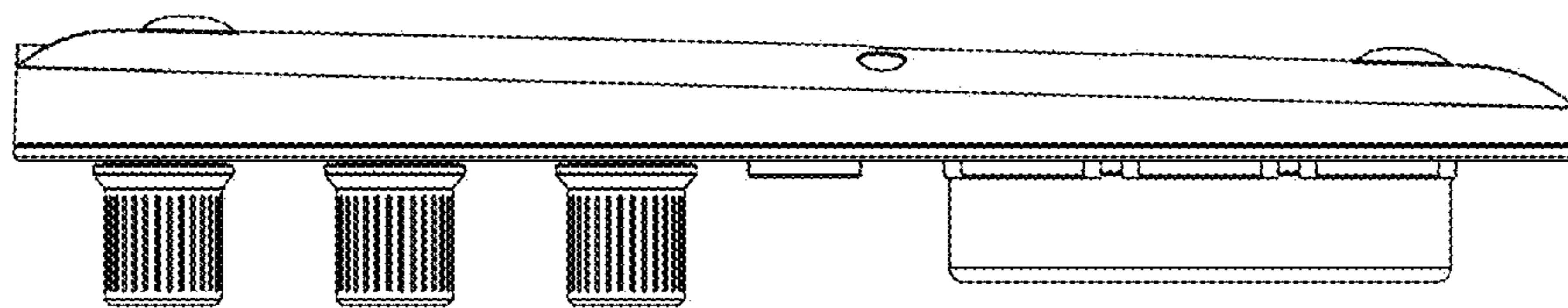


FIG. 6

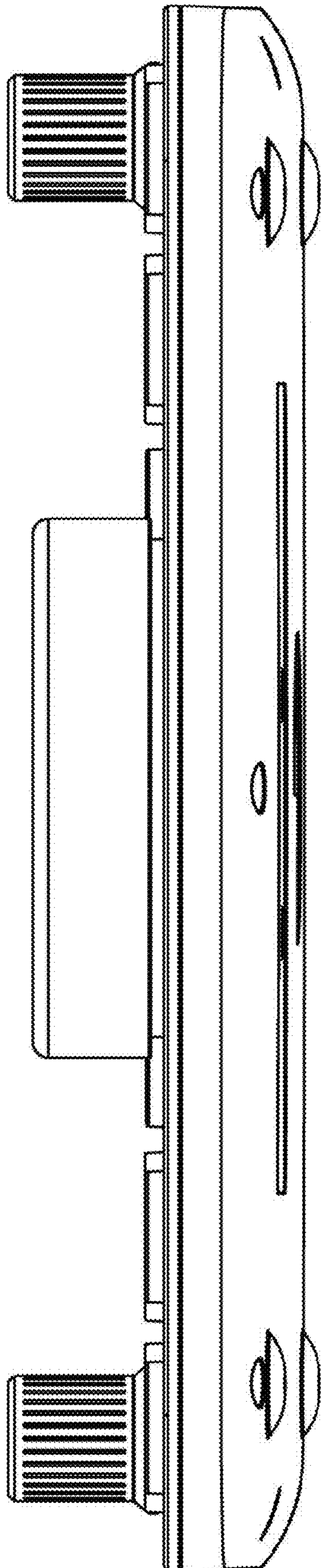


FIG. 7