



US00D931276S

(12) **United States Design Patent**  
**Yi et al.**

(10) **Patent No.:** **US D931,276 S**  
(45) **Date of Patent:** **\*\* Sep. 21, 2021**

- (54) **SMART WATCH**
- (71) Applicant: **LG DISPLAY CO., LTD.**, Seoul (KR)
- (72) Inventors: **Hochun Yi**, Paju-si (KR); **Joosoo Lim**, Paju-si (KR); **Chiyoung Lee**, Paju-si (KR)
- (73) Assignee: **LG DISPLAY CO., LTD.**, Seoul (KR)
- (\*\*) Term: **15 Years**
- (21) Appl. No.: **29/724,795**
- (22) Filed: **Feb. 19, 2020**

- D709,476 S \* 7/2014 Park ..... D14/138 R
- D725,072 S \* 3/2015 Kim ..... D14/138 R
- D742,373 S \* 11/2015 Ji ..... D14/344
- D742,875 S \* 11/2015 Ji ..... D14/344
- D745,868 S \* 12/2015 Choi ..... D14/344
- D747,714 S \* 1/2016 Erbeus ..... D14/344
- D750,623 S \* 3/2016 Park ..... D14/344
- D752,043 S \* 3/2016 Ji ..... D14/344
- D752,046 S \* 3/2016 Jun ..... D14/344
- D756,241 S \* 5/2016 Gabor ..... D10/32
- D756,242 S \* 5/2016 Gabor ..... D10/32
- D762,641 S \* 8/2016 Lee ..... D14/344
- D768,300 S \* 10/2016 Felix ..... D24/186
- D772,867 S \* 11/2016 Park ..... D14/344
- D772,869 S \* 11/2016 Iizuka ..... D14/344
- D780,177 S \* 2/2017 Heck ..... D14/344
- D787,960 S \* 5/2017 Park ..... D10/70

(Continued)

(30) **Foreign Application Priority Data**

Aug. 20, 2019 (KR) ..... 30-2019-0039733

(51) **LOC (13) Cl.** ..... **14-02**

(52) **U.S. Cl.**  
USPC ..... **D14/344**

(58) **Field of Classification Search**  
USPC ..... D10/30-39, 65, 70, 97, 98, 122, 132;  
D14/250, 344, 440; D24/167, 186;  
D11/2, 3, 5, 12, 13, 79, 93, 94  
CPC ..... G04B 37/005; G04B 37/0058; G04B  
37/0084; G04B 37/087; G04B 37/12;  
A44C 5/00; A44C 5/02; A44C 5/0007;  
A44C 5/0015; A44C 5/0023; A44C  
5/0053; A44C 5/147; G06F 1/163; A61B  
5/681

See application file for complete search history.

(56) **References Cited**

**U.S. PATENT DOCUMENTS**

- D435,460 S \* 12/2000 Cebe ..... D10/2
- D466,487 S \* 12/2002 Wada ..... D10/31
- D568,768 S \* 5/2008 Tang ..... D10/30
- 8,647,214 B2 \* 2/2014 Wiegens ..... A63B 57/00  
473/199

*Primary Examiner* — Katherine Glennon

(74) *Attorney, Agent, or Firm* — Birch, Stewart, Kolasch & Birch LLP

(57) **CLAIM**

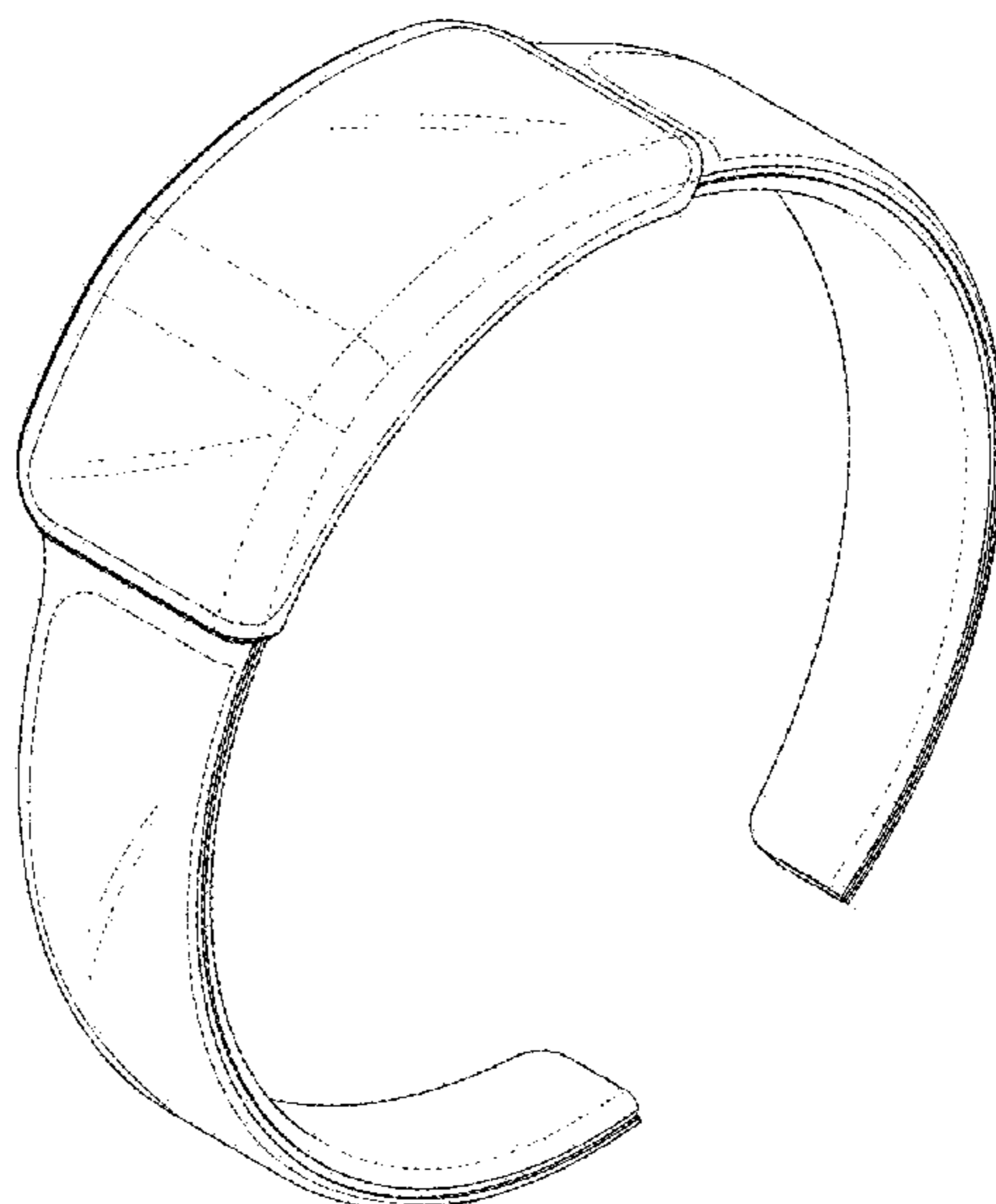
The ornamental design for a smart watch, as shown and described.

**DESCRIPTION**

FIG. 1 is a front, right, top perspective view of a smart watch showing our new design;  
FIG. 2 is a front view thereof;  
FIG. 3 is a rear view thereof;  
FIG. 4 is a left side view thereof;  
FIG. 5 is a right side view thereof;  
FIG. 6 is a top plan view thereof;  
FIG. 7 is a bottom view thereof; and,  
FIG. 8 is a front, right, top perspective view showing the main body of the smart watch pushed laterally of the band thereof.

The broken line showing in the figures is for the purpose of illustrating portions of the smart watch that form no part of the claimed design.

**1 Claim, 8 Drawing Sheets**



(56)

**References Cited**

U.S. PATENT DOCUMENTS

D816,668 S \* 5/2018 Wu ..... D14/344  
10,394,279 B2 \* 8/2019 Fu ..... G06F 3/0416  
D861,677 S \* 10/2019 Wu ..... D14/344  
D871,402 S \* 12/2019 Jeon ..... D14/344  
D877,144 S \* 3/2020 Jeon ..... D14/344  
2018/0020785 A1 \* 1/2018 Hundt ..... H04B 1/385  
368/282  
2018/0036534 A1 \* 2/2018 Shin ..... A61N 1/36031

\* cited by examiner

FIG. 1

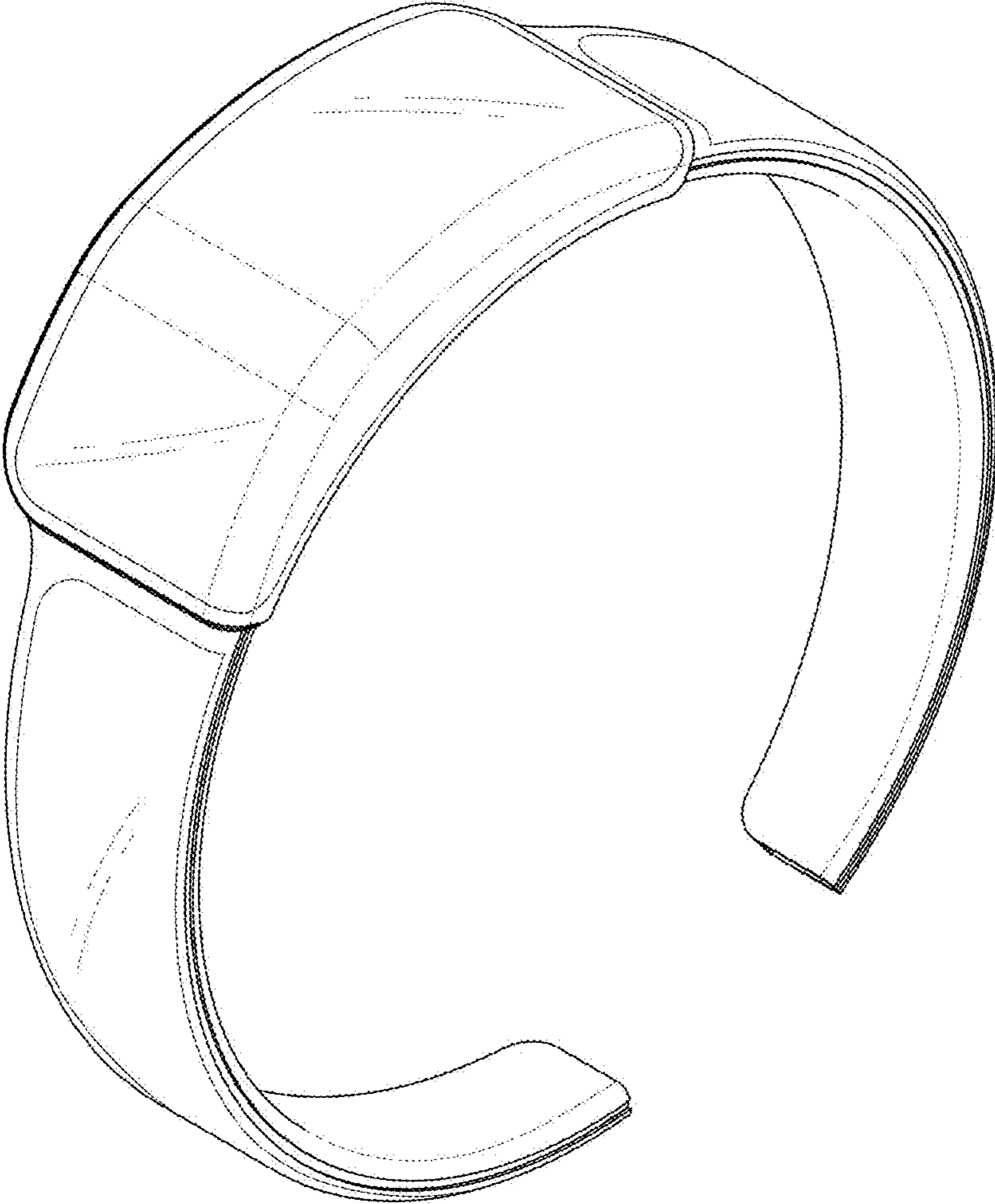


FIG. 2

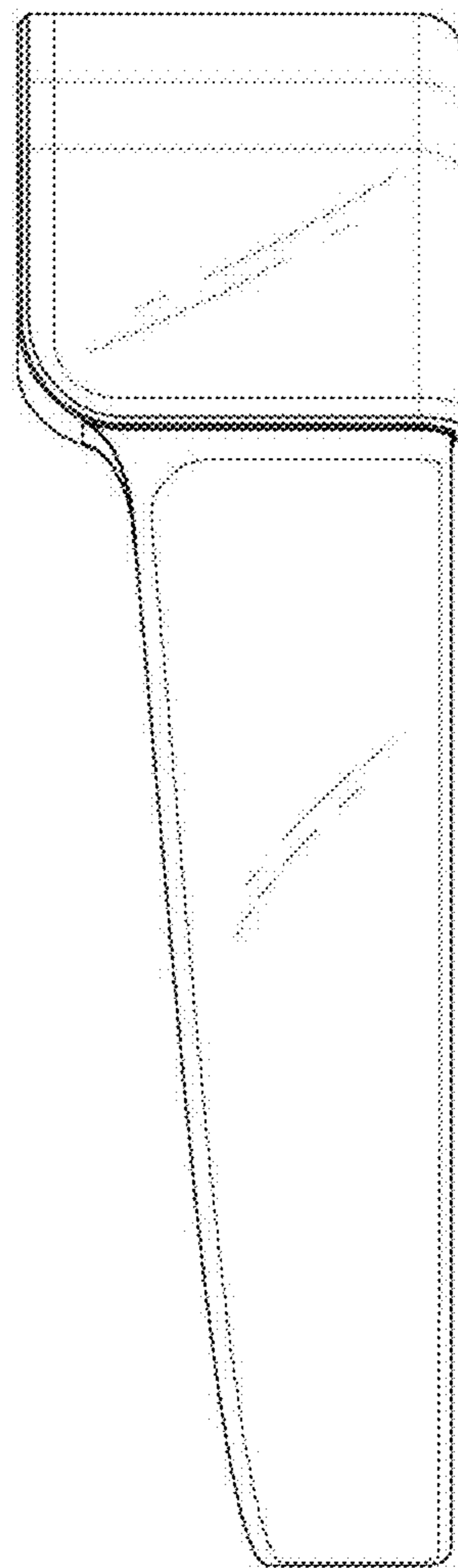


FIG. 3

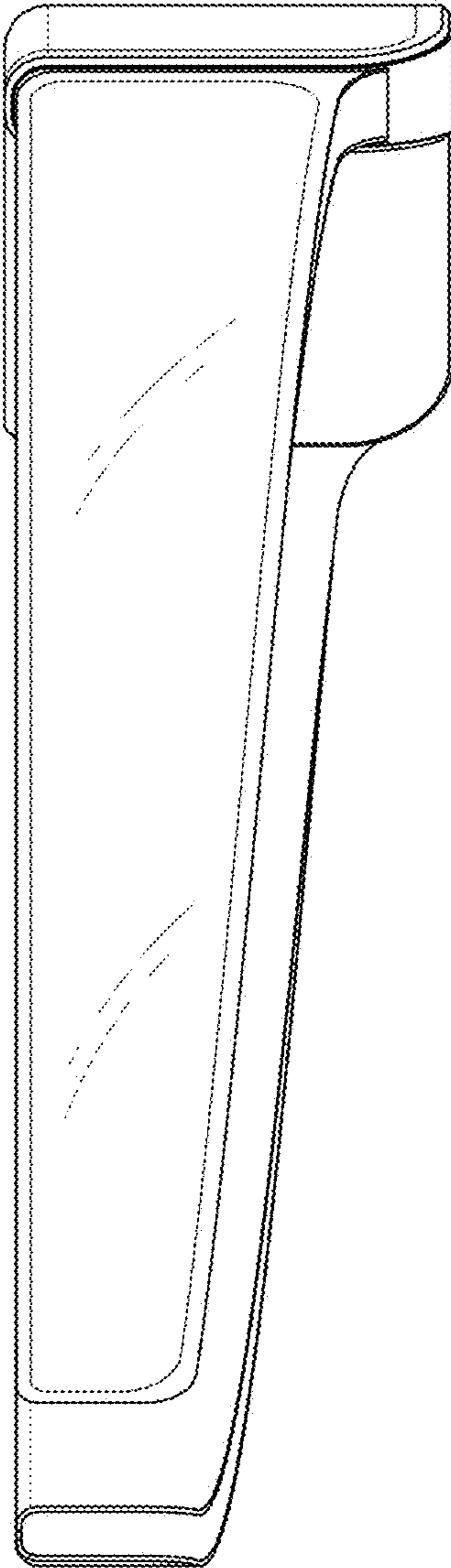


FIG. 4

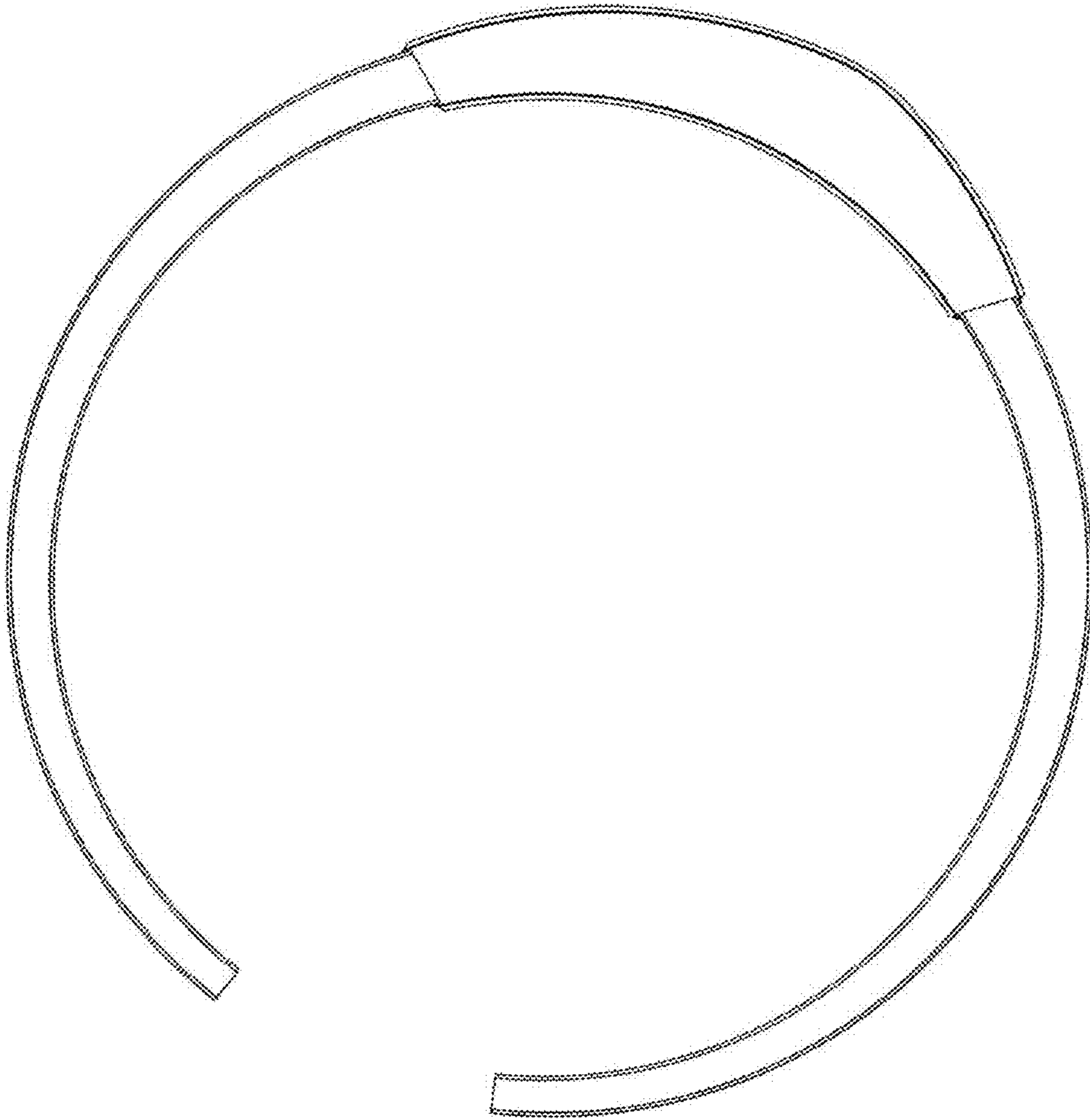


FIG. 5

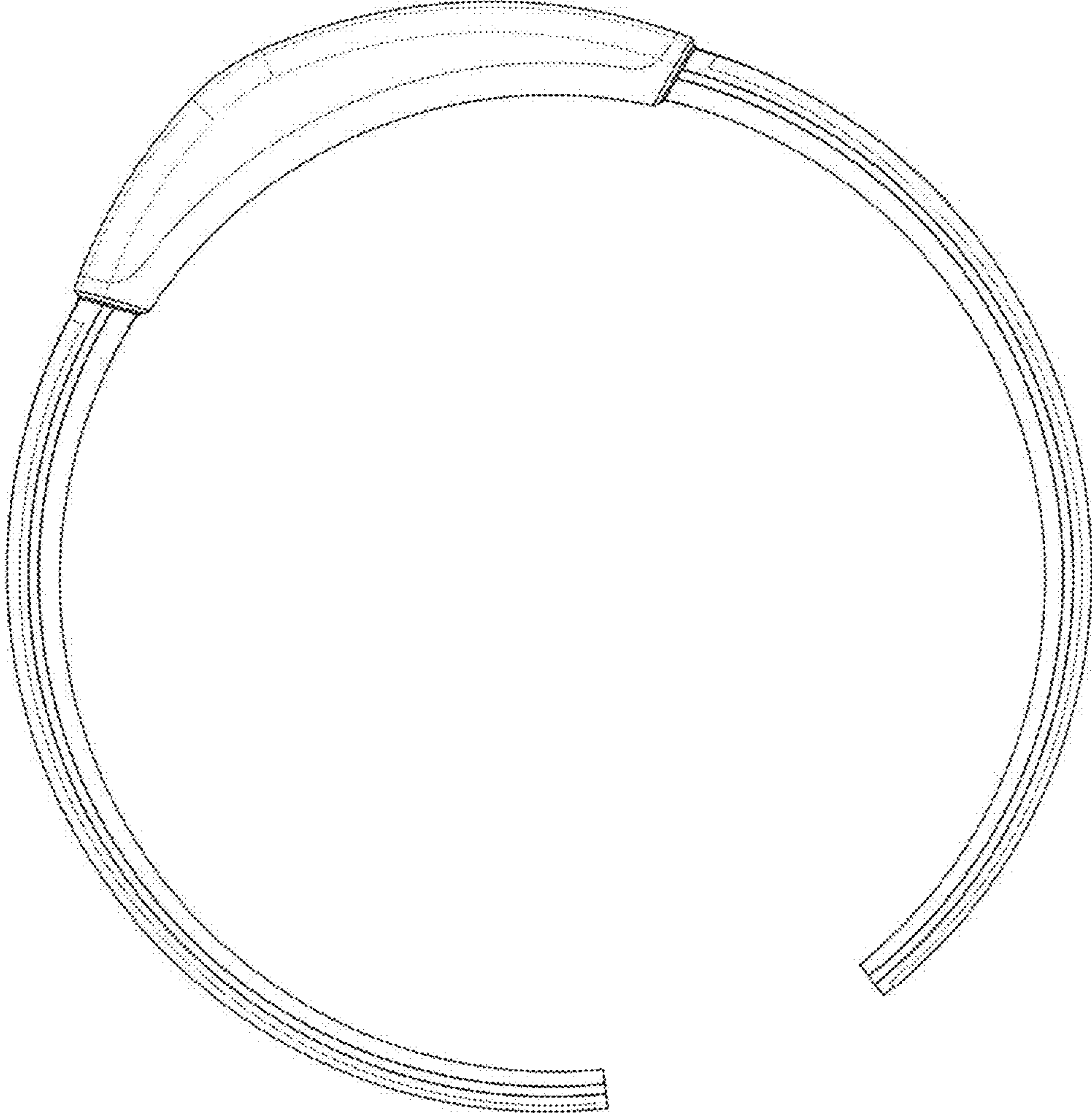


FIG. 6

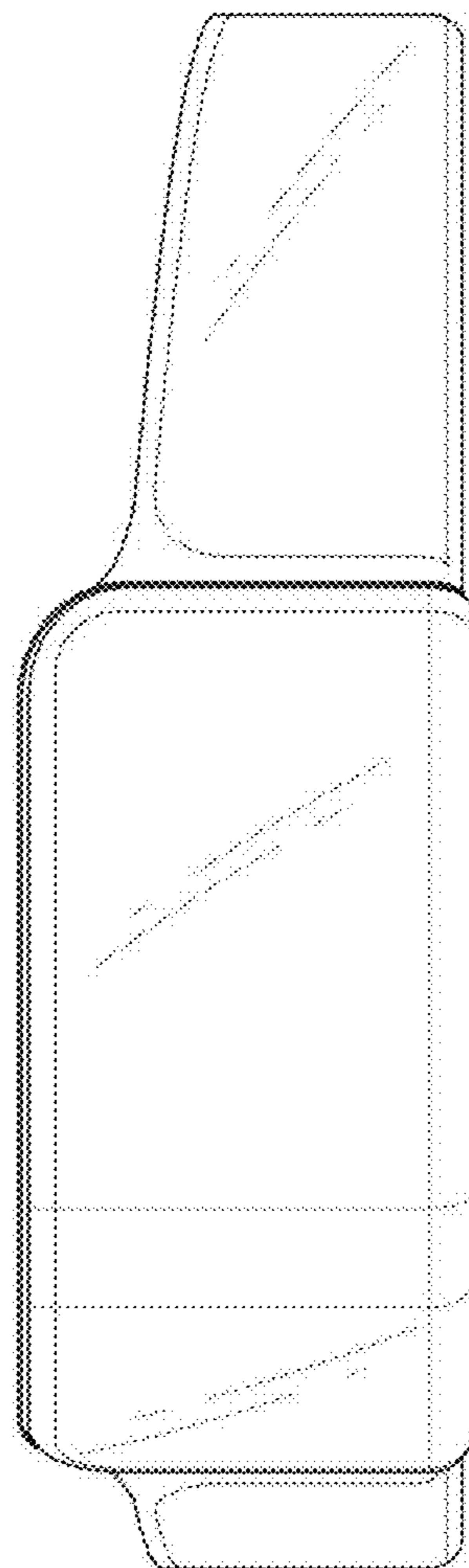




FIG. 7

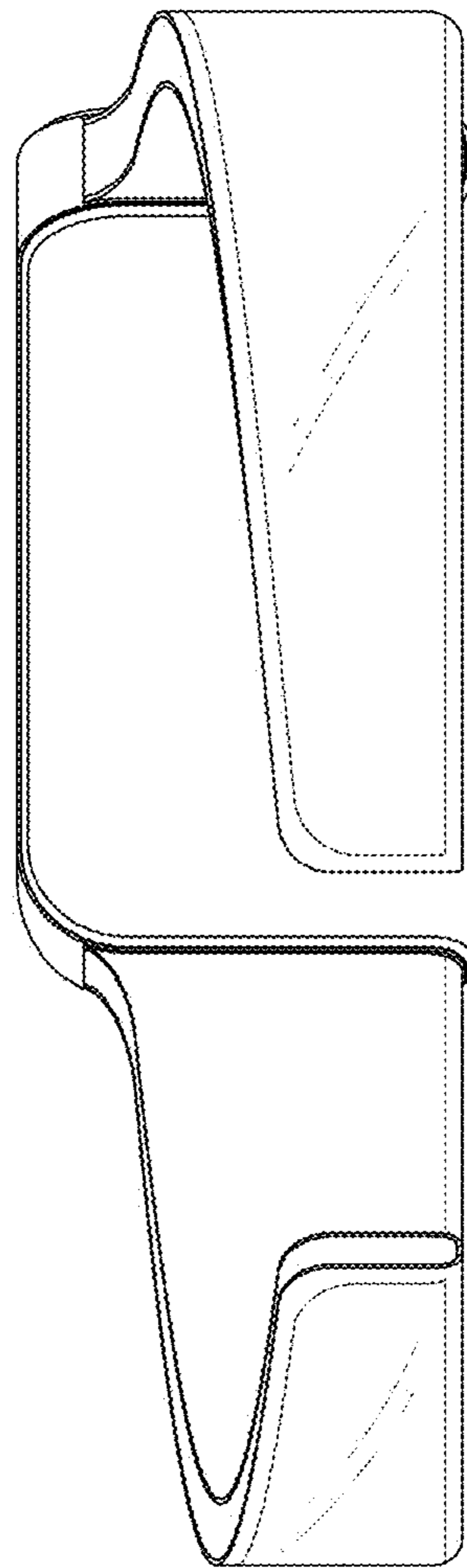


FIG. 8

