



US00D931274S

(12) **United States Design Patent** (10) **Patent No.:** **US D931,274 S**
Hwang et al. (45) **Date of Patent:** **** Sep. 21, 2021**

(54) **NOTEBOOK LAPTOP COMPUTER**

(71) Applicant: **LG ELECTRONICS INC.**, Seoul (KR)

(72) Inventors: **Bodeung Hwang**, Seoul (KR); **Nari Lee**, Seoul (KR); **Gangho Woo**, Seoul (KR)

(73) Assignee: **LG ELECTRONICS INC.**, Seoul (KR)

(**) Term: **15 Years**

(21) Appl. No.: **35/508,883**

(22) Filed: **Sep. 26, 2019**

(80) **Hague Agreement Data**

Int. Filing Date: **Sep. 26, 2019**

Int. Reg. No.: **DM/204522**

Int. Reg. Date: **Sep. 26, 2019**

Int. Reg. Pub. Date: **Mar. 27, 2020**

(30) **Foreign Application Priority Data**

Mar. 29, 2019 (KR) 30-2019-0014528

(51) **LOC (13) Cl.** **14-03**

(52) **U.S. Cl.**
USPC **D14/315**

(58) **Field of Classification Search**

USPC D14/203.4, 315, 316, 317, 319-327, 341, D14/345, 346, 501, 502, 507

CPC G06F 1/1616; G06F 1/1637; G06F 1/203; G06F 1/1681

See application file for complete search history.

(56) **References Cited**

U.S. PATENT DOCUMENTS

D763,249 S * 8/2016 Lee D14/315

D774,505 S * 12/2016 Akana D14/318

D795,245 S * 8/2017 Seoc D14/315
D810,069 S * 2/2018 Hishiki D14/316
D810,071 S * 2/2018 Hishiki D14/318
D813,859 S * 3/2018 Oakley D14/315
D826,927 S * 8/2018 Lee D14/315
D829,707 S * 10/2018 Tin D14/315
D837,202 S * 1/2019 Lee D14/315
D890,746 S * 7/2020 Moon D14/315
D891,423 S * 7/2020 Seoc D14/327
D894,895 S * 9/2020 Tzou D14/315
D894,896 S * 9/2020 Tzou D14/315
D910,614 S * 2/2021 Lee D14/315

(Continued)

Primary Examiner — Bao-Yen T Nguyen

(74) *Attorney, Agent, or Firm* — Birch, Stewart, Kolasch & Birch, LLP

(57) **CLAIM**

The ornamental design for a notebook laptop computer, as shown and described.

DESCRIPTION

1. Notebook Laptop Computer

1.1 : Perspective

1.2 : Front

1.3 : Back

1.4 : Left

1.5 : Right

1.6 : Top

1.7 : Bottom

1.8 : Perspective

1.9 : Front

1.10 : Back

1.11 : Left

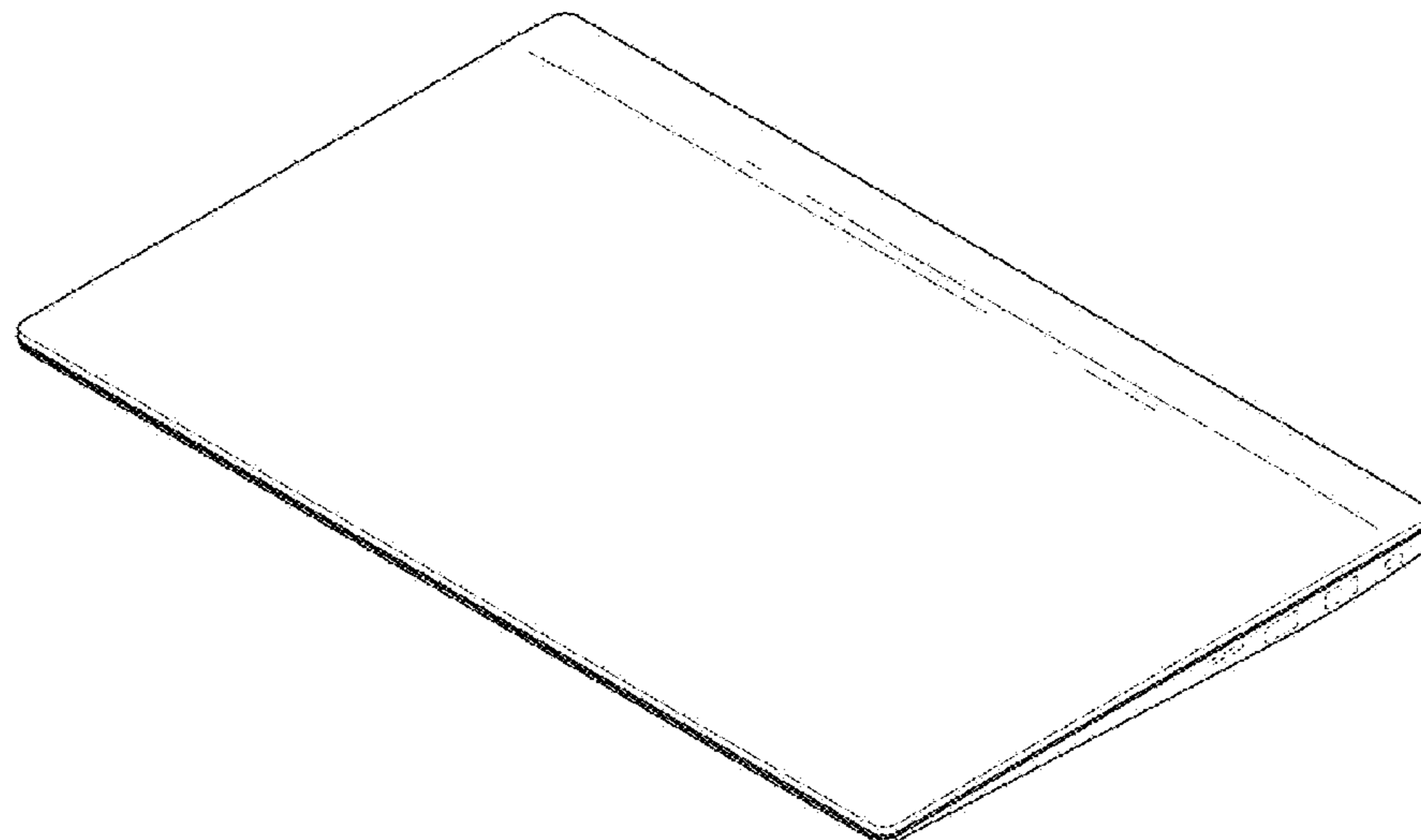
1.12 : Right

1.13 : Top

1.14 : Bottom

The broken lines indicate portions of the article that form no part of the claimed design; reproductions 1.1 to 1.7 show the closed state, and reproductions 1.8 to 1.14 show the opened state. The dark circles seen in reproductions 1.4, 1.5 and 1.7 are groupings of holes.

1 Claim, 14 Drawing Sheets



(56)

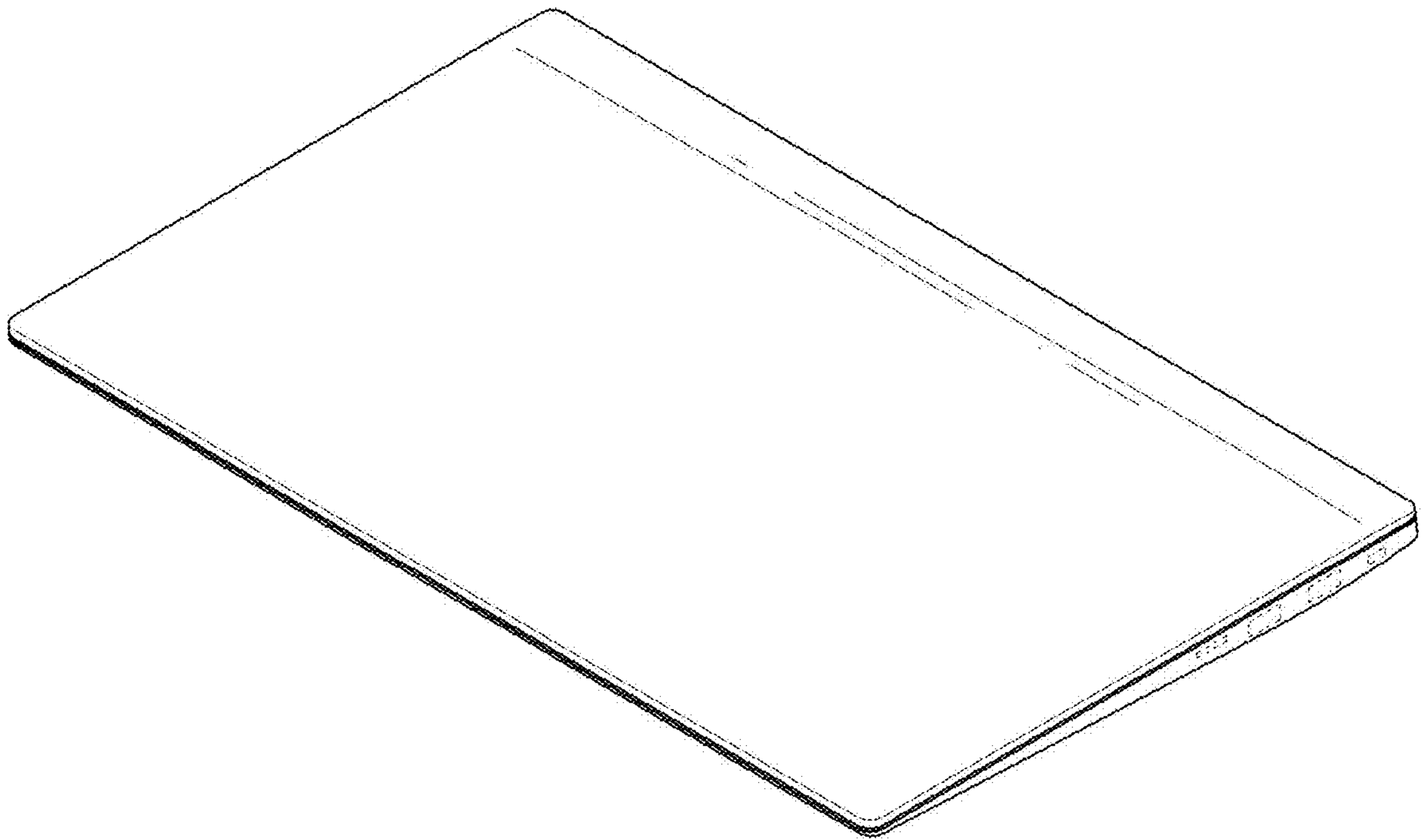
References Cited

U.S. PATENT DOCUMENTS

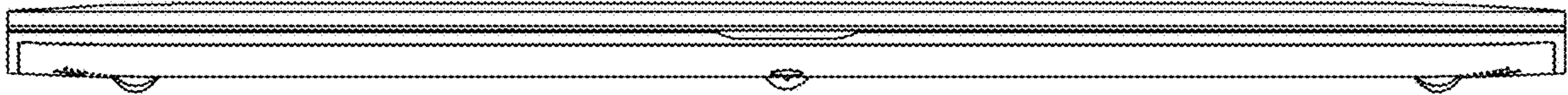
D912,042	S	*	3/2021	Yeh	D14/327
2019/0034070	A1	*	1/2019	Singh	G06F 1/166
2019/0179366	A1	*	6/2019	Ferber	G06F 1/1616
2019/0317552	A1	*	10/2019	Cheng	G06F 1/1616
2021/0041915	A1	*	2/2021	Moser	G06F 1/1607
2021/0073163	A1	*	3/2021	Issnac	G06F 13/4068

* cited by examiner

1.1



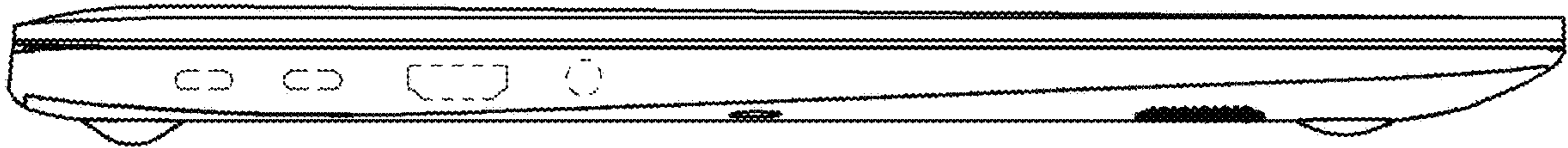
1.2



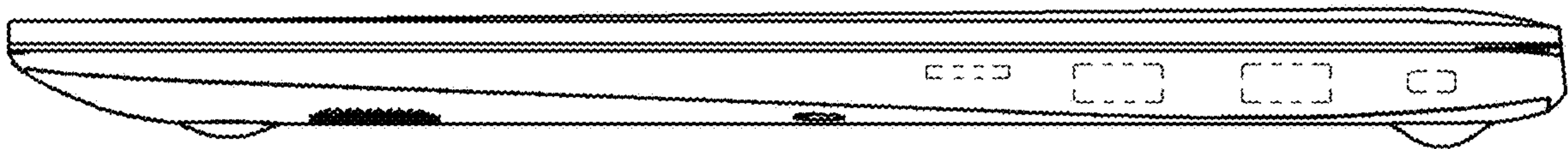
1.3



1.4



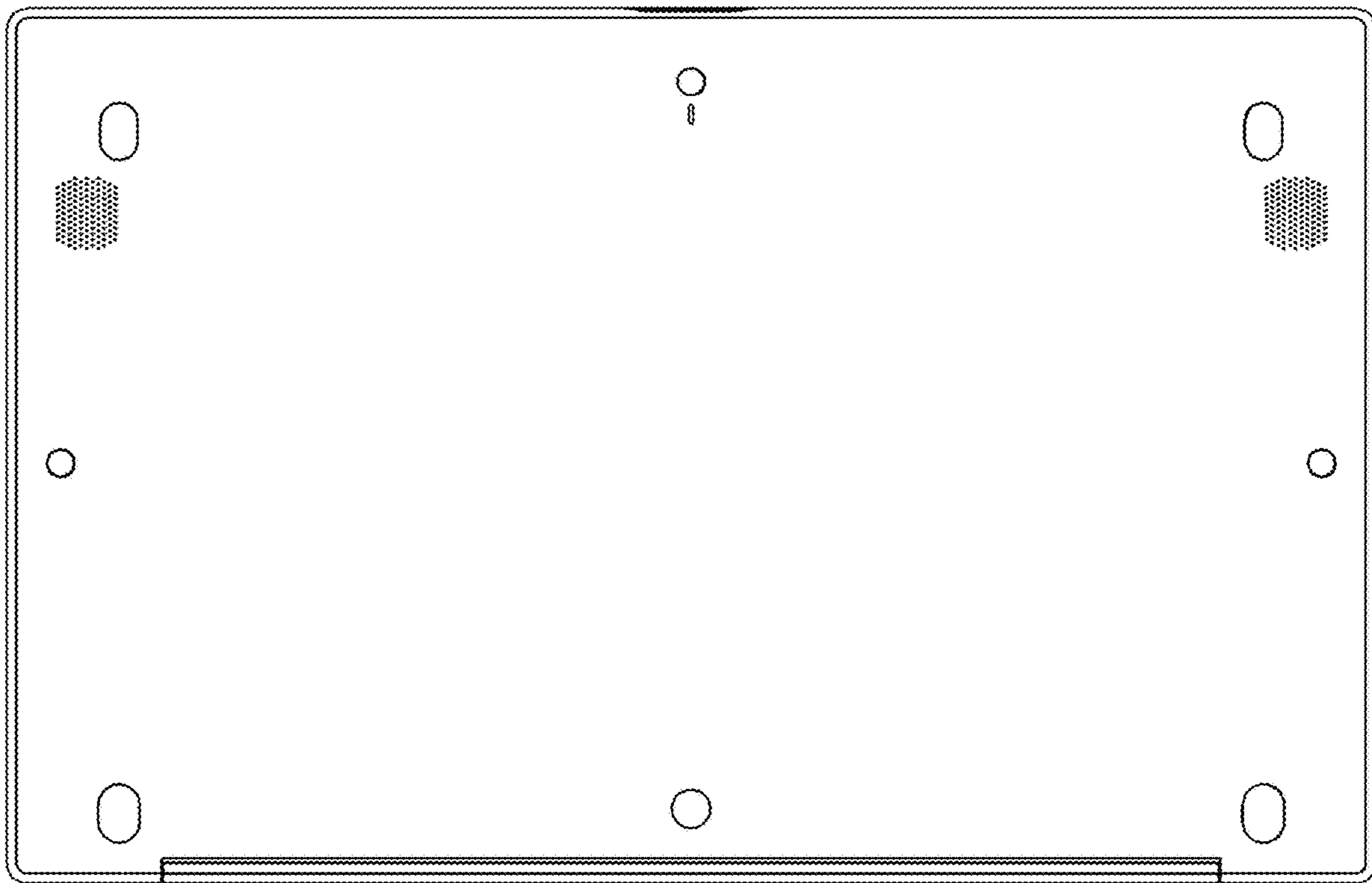
1.5



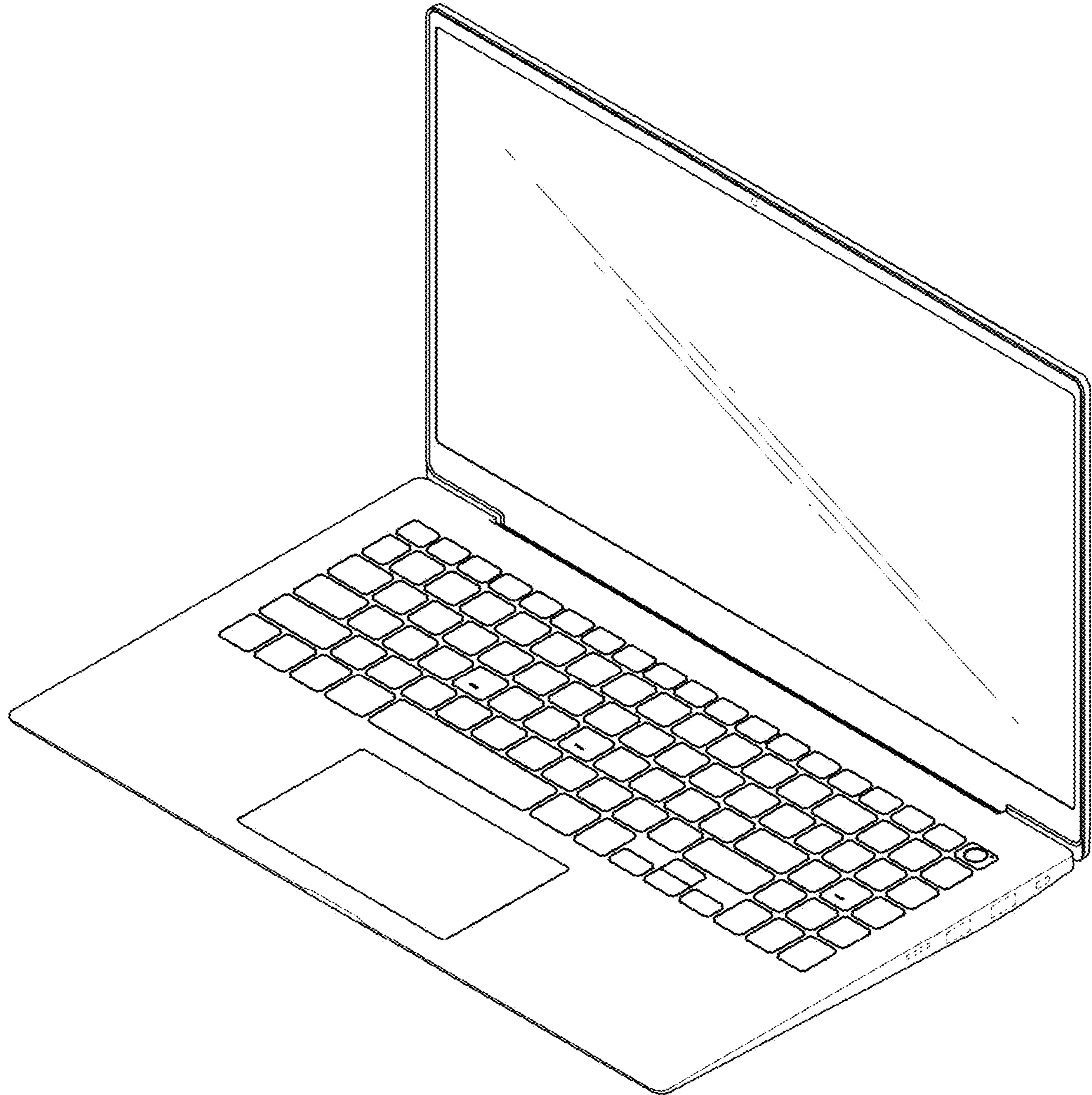
1.6



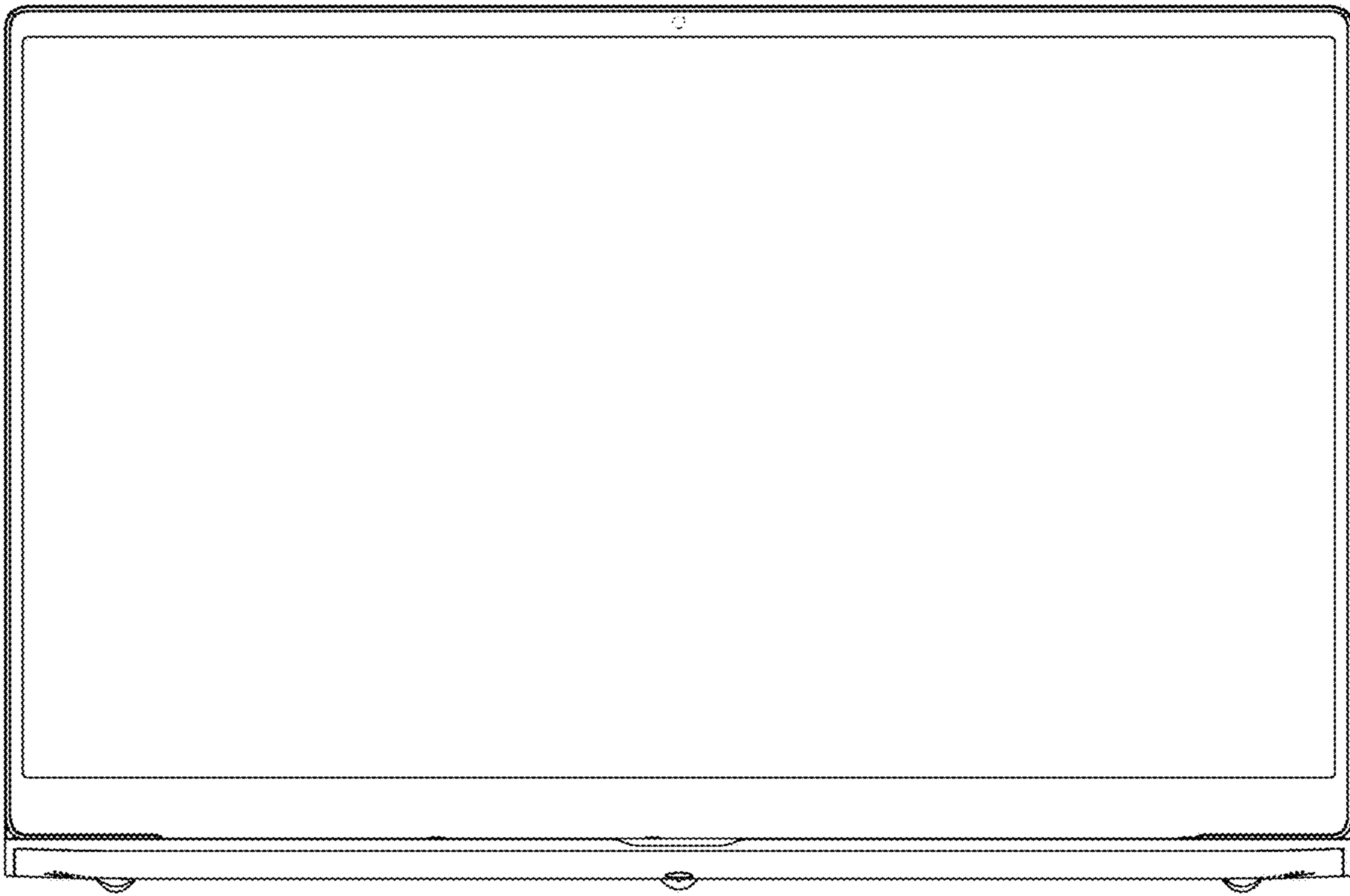
1.7



1.8



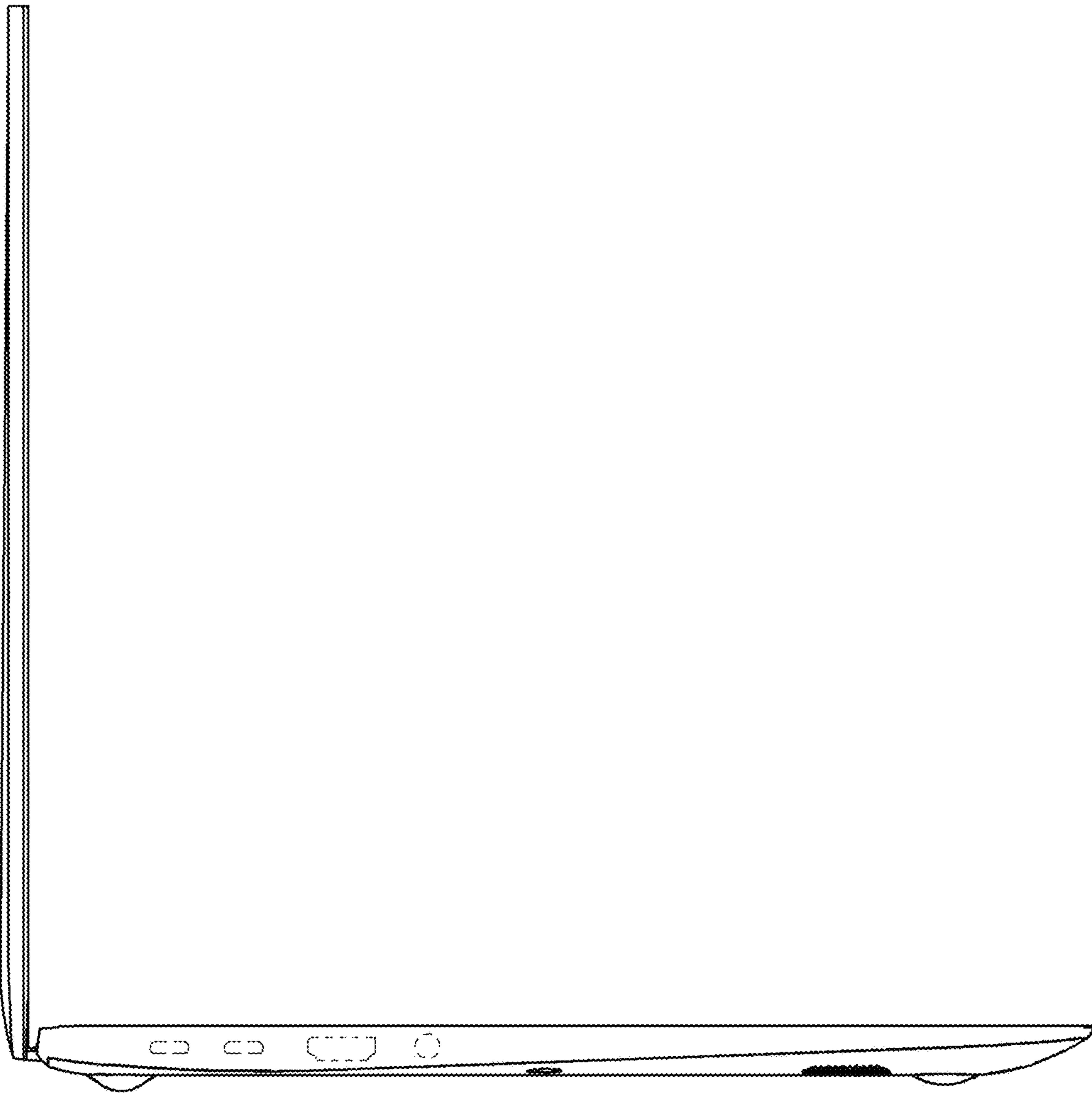
1.9



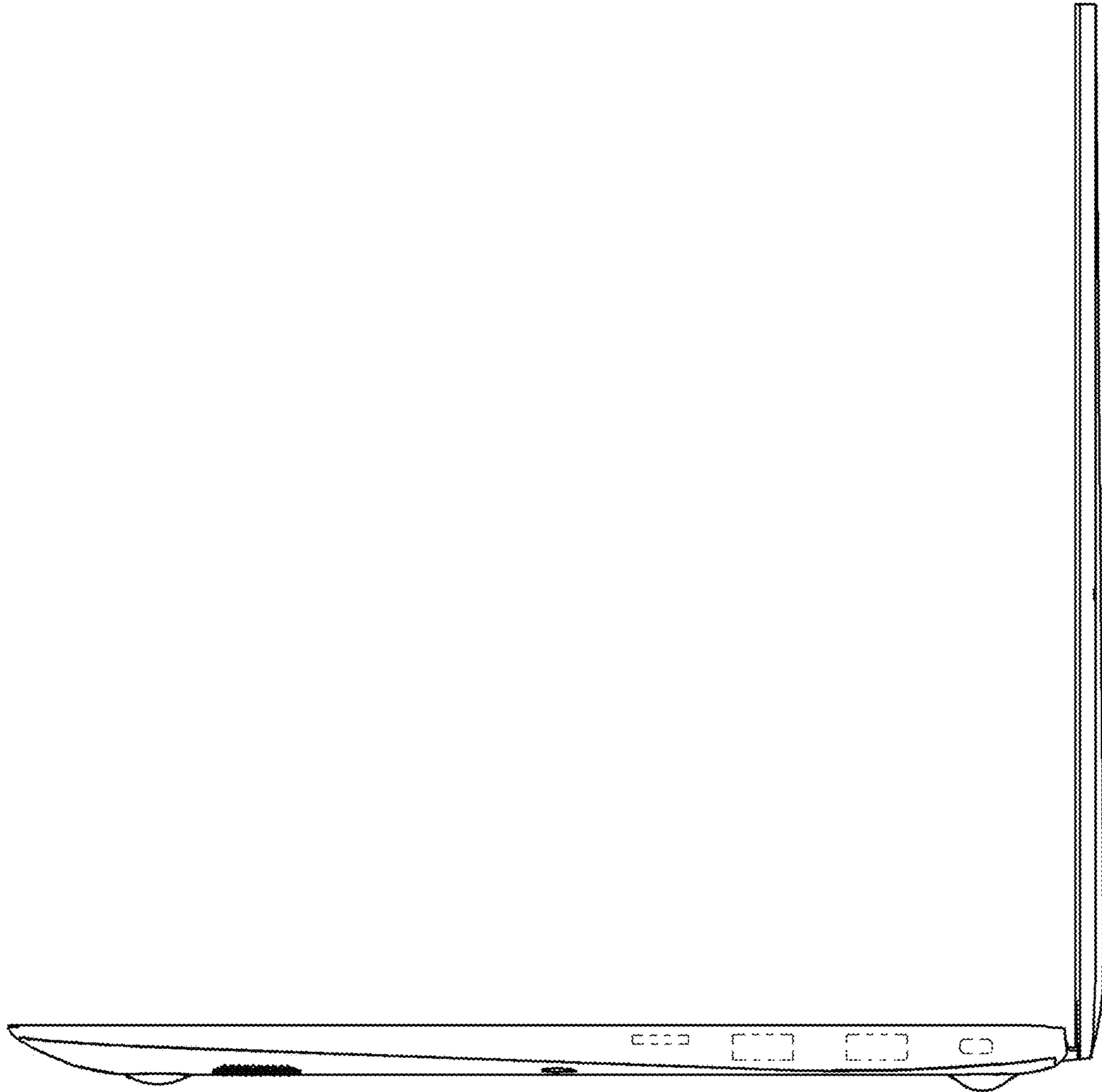
1.10



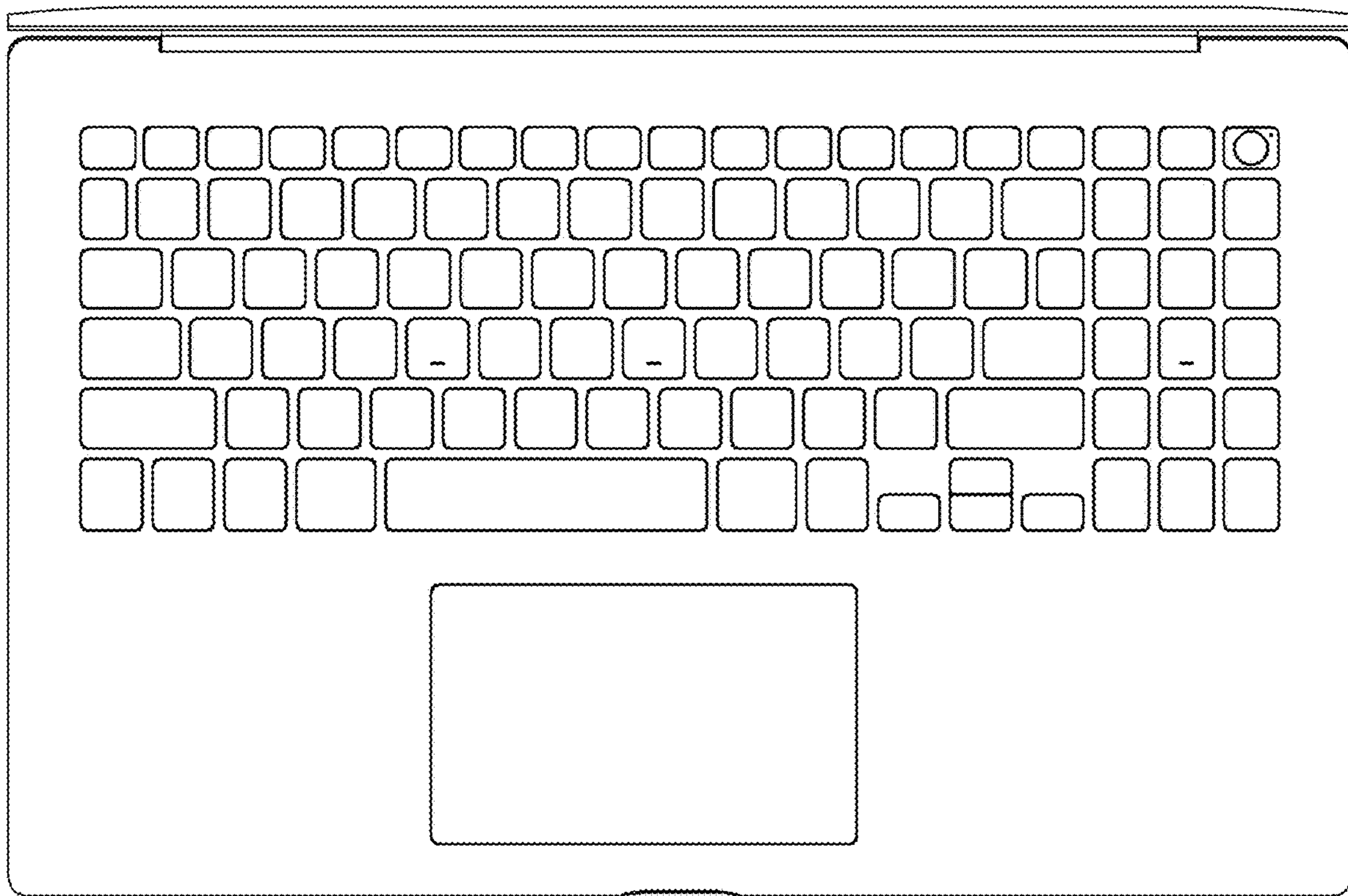
1.11



1.12



1.13



1.14

