



US00D931272S

(12) **United States Design Patent**
Ganz

(10) **Patent No.:** **US D931,272 S**

(45) **Date of Patent:** **** Sep. 21, 2021**

(54) **TERMINAL FOR A TABLET PRESS**

(71) Applicant: **Fette Compacting GmbH,**
Schwarzenbek (DE)

(72) Inventor: **Steffen Ganz,** Long Beach, CA (US)

(73) Assignee: **Fette Compacting GmbH**

(**) Term: **15 Years**

(21) Appl. No.: **29/726,780**

(22) Filed: **Mar. 5, 2020**

(51) **LOC (13) Cl.** **14-02**

(52) **U.S. Cl.**
USPC **D14/307**

(58) **Field of Classification Search**
USPC D14/302-307, 900-902; D13/163;
D20/10; D21/332, 325, 369, 370;
D99/28; D6/397, 466; 194/206;
361/679.01, 679.02, 679.04, 679.21,
361/679.57, 725
CPC G06Q 20/18; G06Q 20/10; G06Q 20/123;
G06Q 20/20; G06Q 30/02; G06Q 30/06;
A47F 9/047
See application file for complete search history.

(56) **References Cited**

U.S. PATENT DOCUMENTS

D816,077 S * 4/2018 Benic D14/307
D836,625 S * 12/2018 Szeredi D14/307

D888,705 S * 6/2020 Saito D14/307
D889,455 S * 7/2020 Birgeoglu D14/307
D896,806 S * 9/2020 Zheng D14/307
D902,918 S * 11/2020 Friedli D14/307
D902,919 S * 11/2020 Carmona D14/307
D904,394 S * 12/2020 Friedli D14/307
D910,006 S * 2/2021 Kihl D14/307

* cited by examiner

Primary Examiner — Austin Murphy

(74) *Attorney, Agent, or Firm* — Barclay Damon LLP

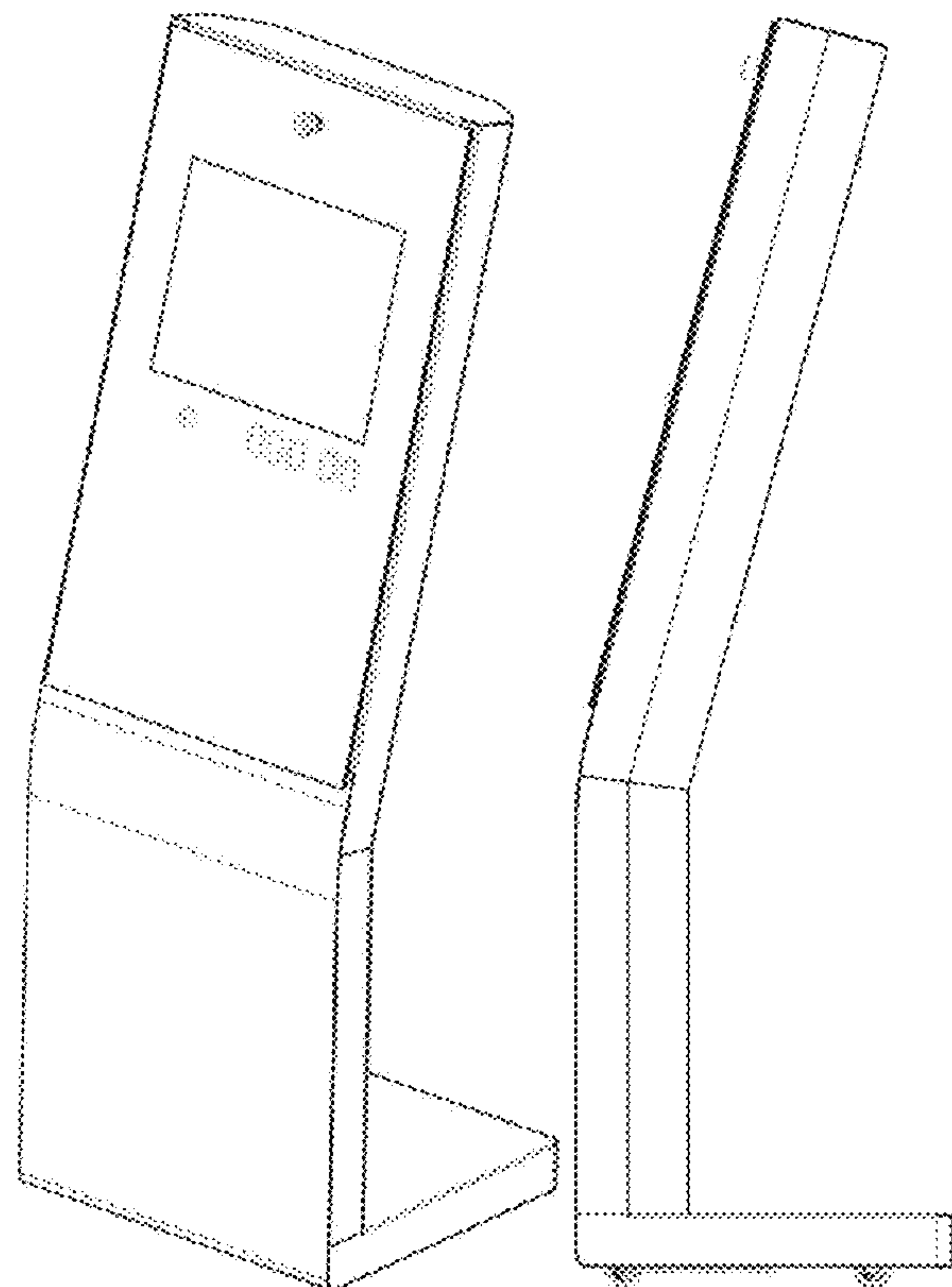
(57) **CLAIM**

The ornamental design for a terminal for a tablet press, as shown and described.

DESCRIPTION

FIG. 1 is a front perspective view of a terminal for a tablet press, illustrating the new design in accordance with an embodiment;
FIG. 2 is a front facing view thereof;
FIG. 3 is a left side view thereof;
FIG. 4 is a right side view thereof;
FIG. 5 is a rear facing view thereof;
FIG. 6 is a bottom view thereof; and,
FIG. 7 is a top plan view thereof.
Broken lines as shown in the accompanying drawings illustrate a use environment, but do not form a part of the claimed design.

1 Claim, 7 Drawing Sheets



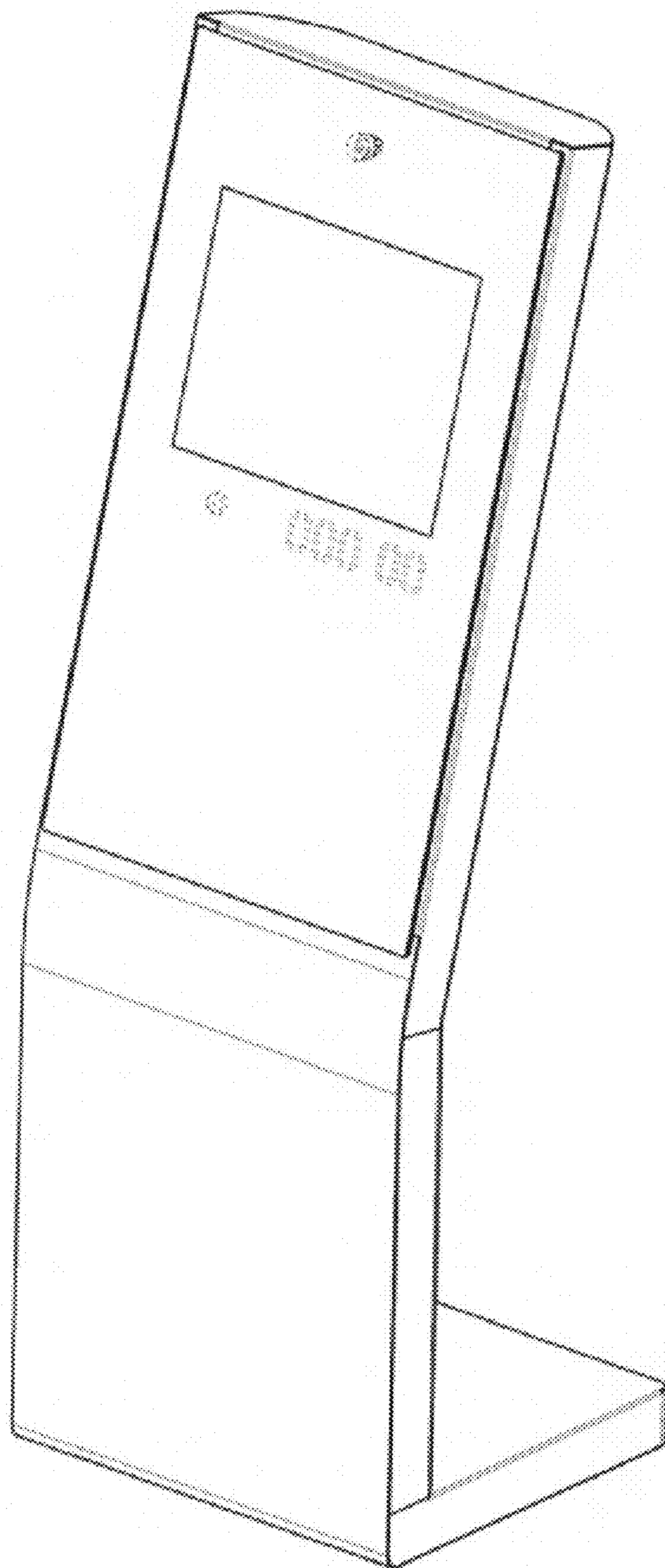


FIG. 1

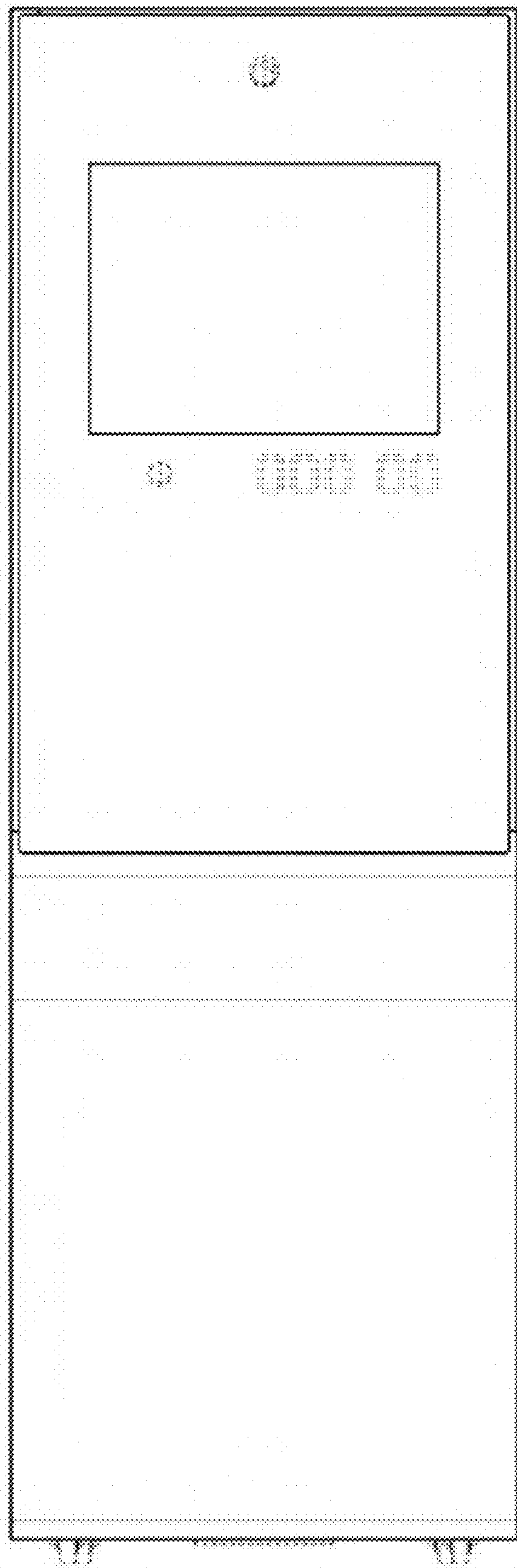


FIG. 2

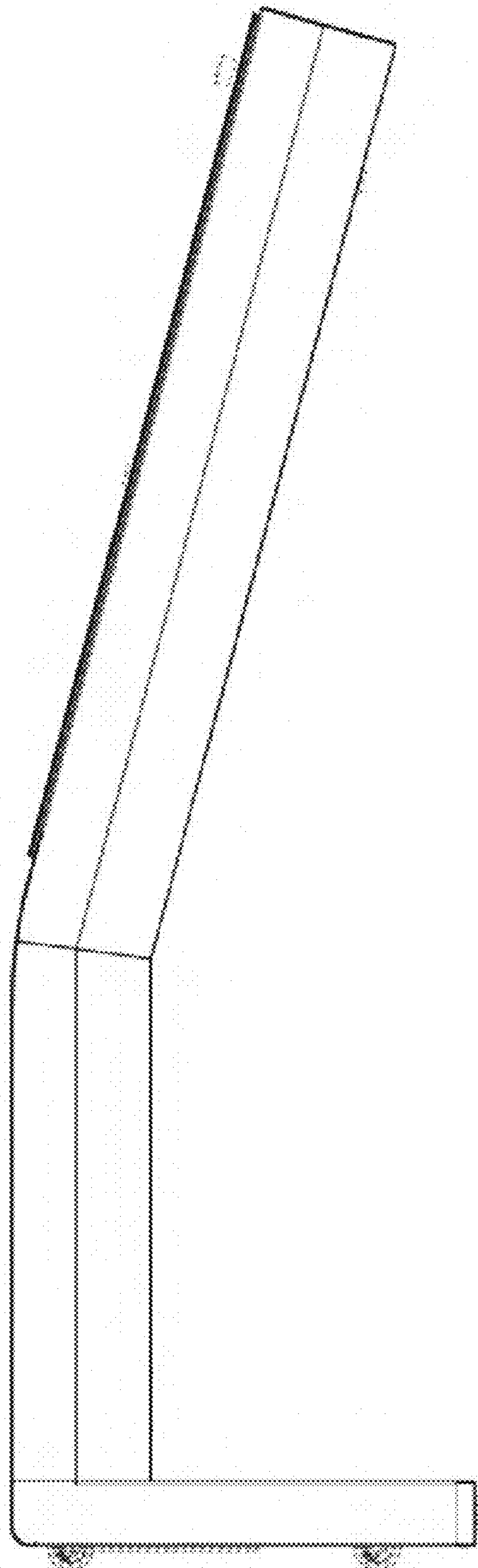


FIG. 3

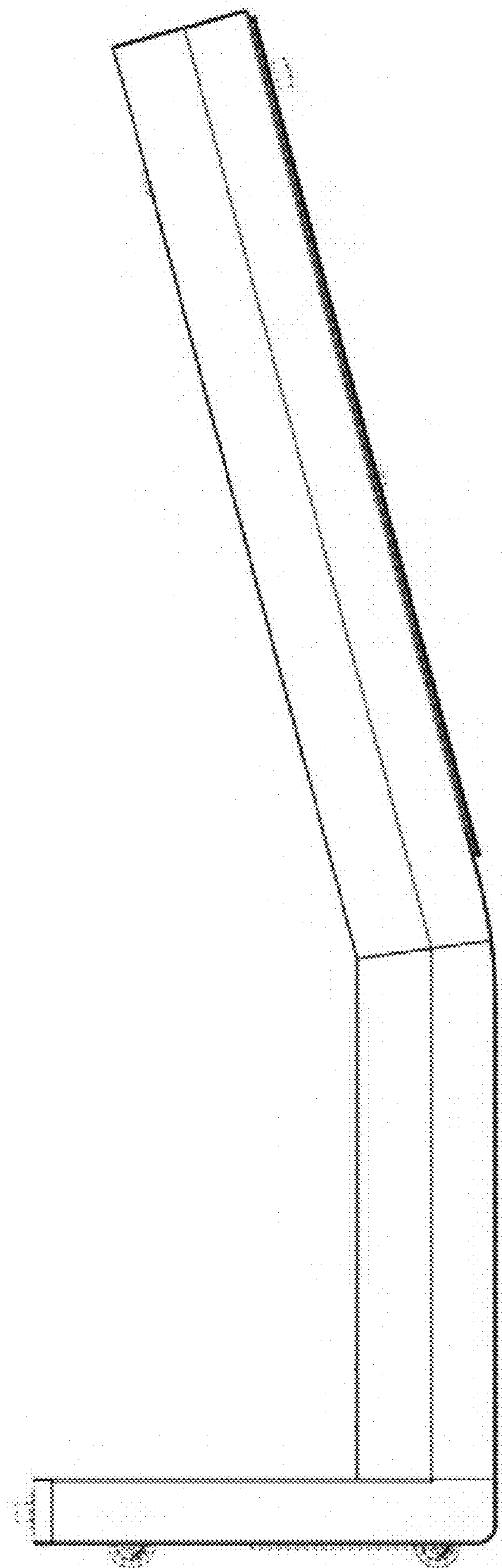


FIG. 4

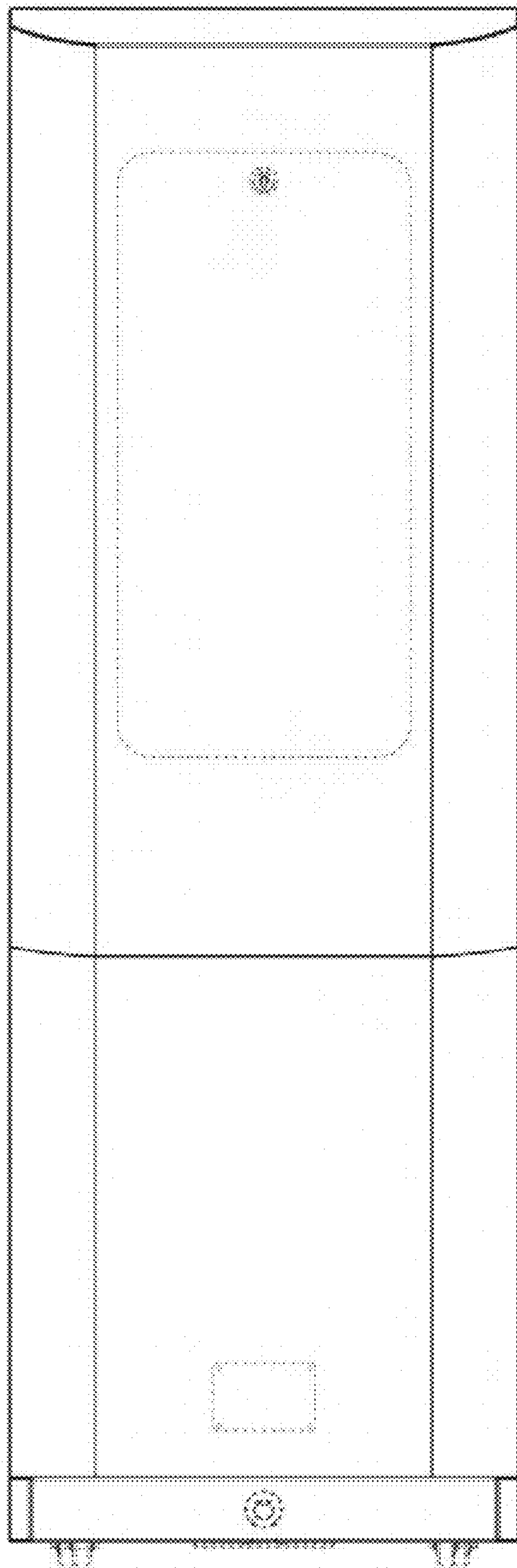


FIG. 5

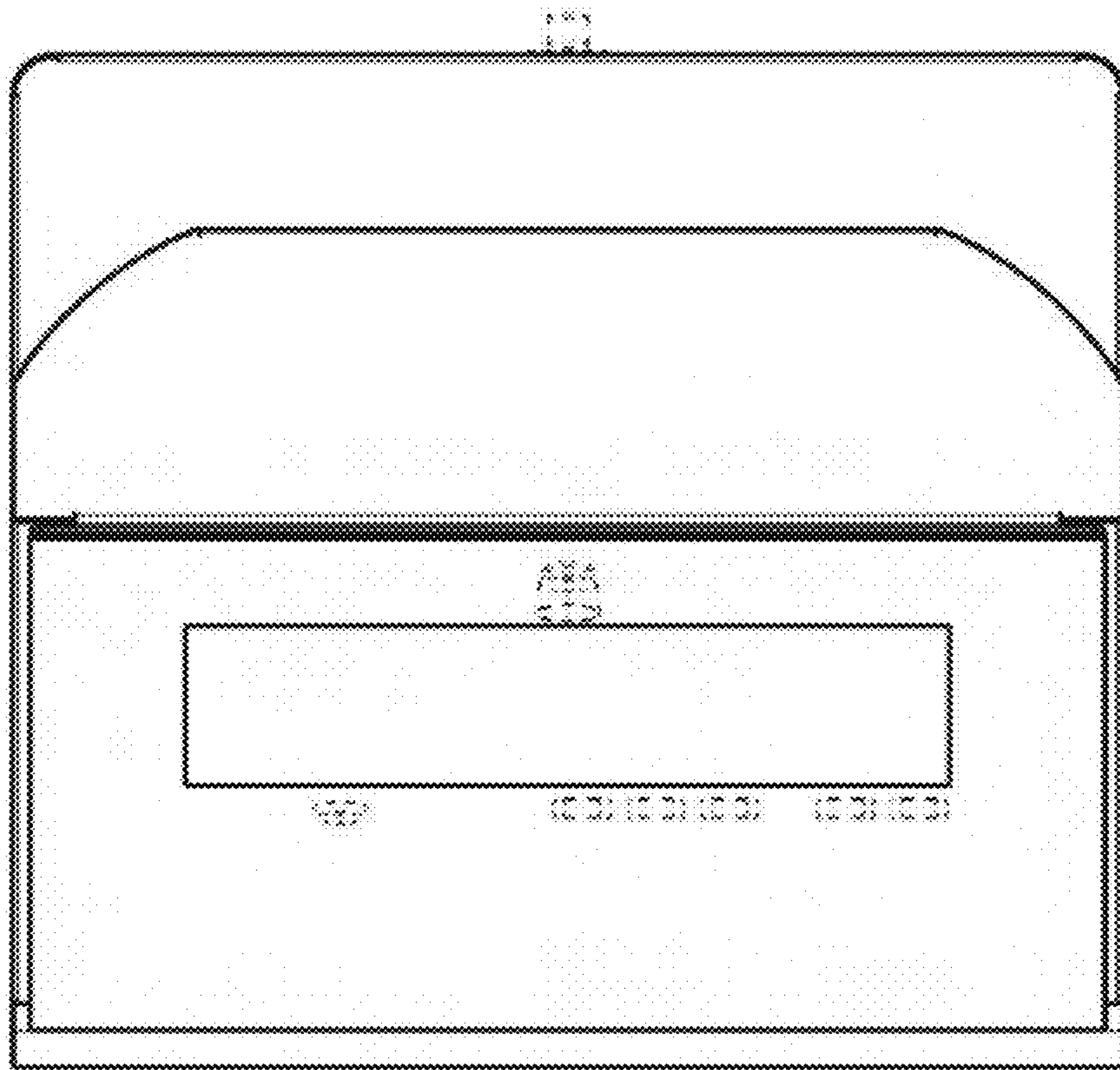


FIG. 6

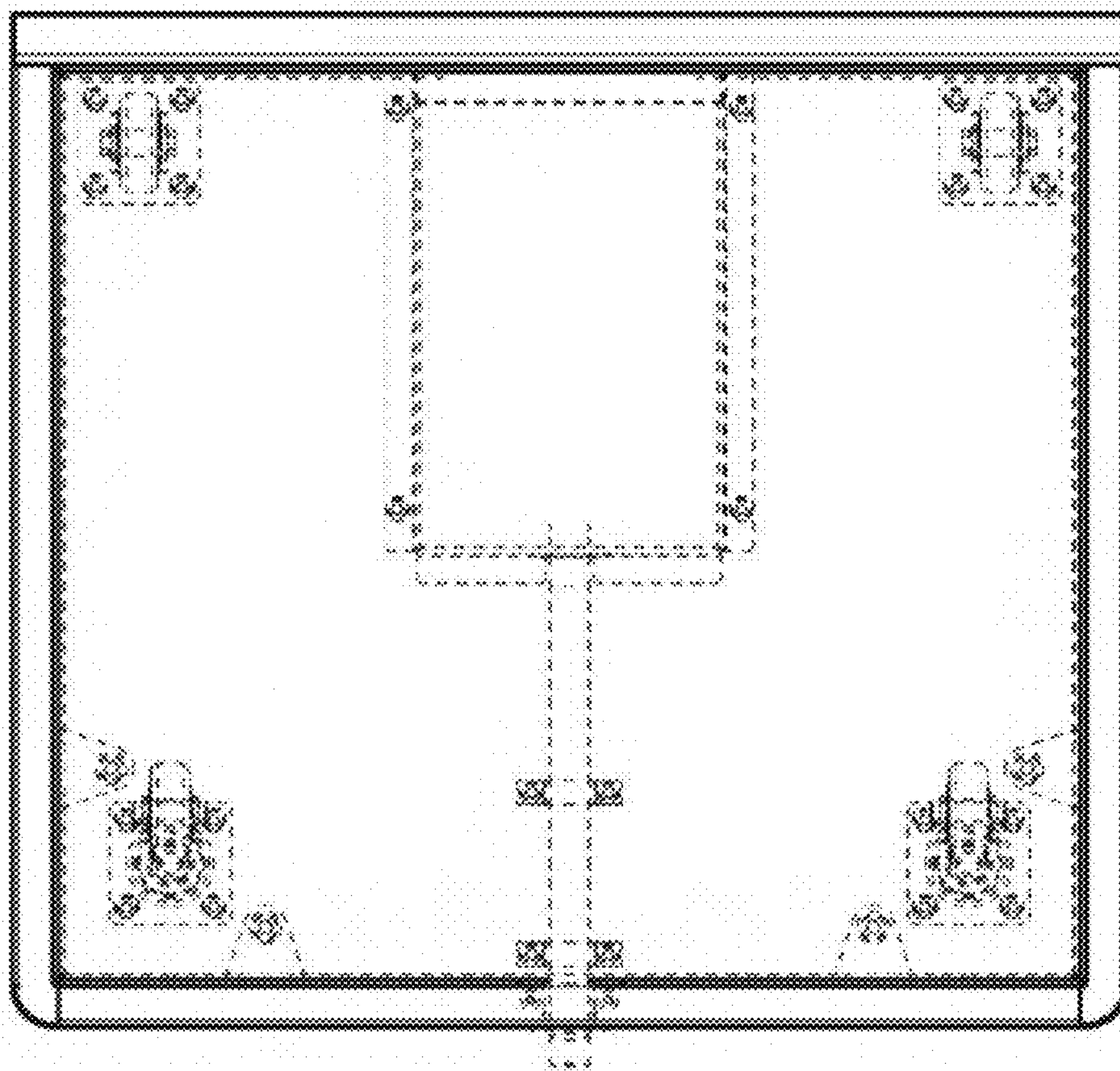


FIG. 7

UNITED STATES PATENT AND TRADEMARK OFFICE
CERTIFICATE OF CORRECTION

PATENT NO. : D931,272 S
APPLICATION NO. : 29/726780
DATED : September 21, 2021
INVENTOR(S) : Steffen Ganz

Page 1 of 1

It is certified that error appears in the above-identified patent and that said Letters Patent is hereby corrected as shown below:

On the Title Page

Add:

--Foreign Application Priority Data

European Union Patent Application No.006816732 filed September 5, 2019--

Signed and Sealed this
Twenty-fourth Day of January, 2023



Katherine Kelly Vidal
Director of the United States Patent and Trademark Office