



US00D931271S

(12) **United States Design Patent** (10) **Patent No.:** **US D931,271 S**
Maeso (45) **Date of Patent:** **** Sep. 21, 2021**

(54) **CONTROL CONSOLE FOR AIR TRAFFIC CONTROLLERS**

(71) Applicant: **DR Representaciones S.L.**, Madrid (ES)

(72) Inventor: **Juan Carlos Fernandez-Miranda Maeso**, Madrid (ES)

(73) Assignee: **DR REPRESENTACIONES S.L.**, Madrid (ES)

(**) Term: **15 Years**

(21) Appl. No.: **29/689,897**

(22) Filed: **May 2, 2019**

(30) **Foreign Application Priority Data**

Mar. 20, 2019 (ES) D0529731

(51) **LOC (13) Cl.** **14-02**

(52) **U.S. Cl.**
USPC **D14/305**

(58) **Field of Classification Search**
USPC D14/126, 127, 129, 130, 140, 239, 447, D14/900, 302-308; D13/158, 162, 162.1, D13/163, 164; D21/324, 325, 329, 369, D21/370, 371
CPC A47B 83/001; A47B 21/00; A47B 21/06; A47B 21/0314; A47B 13/08; A47B 35/00; A47B 17/003
See application file for complete search history.

(56) **References Cited**

U.S. PATENT DOCUMENTS

D268,583 S * 4/1983 Whaley D14/305
D272,903 S * 3/1984 Friedrich D13/163

D314,370 S * 2/1991 Schott D13/163
5,013,104 A * 5/1991 Knoppel A47B 83/001
312/328
D346,586 S * 5/1994 Miyake D13/162
D401,227 S * 11/1998 Catta D14/305
D428,864 S * 8/2000 Rooyackers D14/306
D436,354 S * 1/2001 Kodimer D14/306
D471,188 S * 3/2003 Dye D14/305
D487,434 S * 3/2004 Monson D14/126
D673,943 S * 1/2013 Huertas Moya D14/305
D673,944 S * 1/2013 Huertas Moya D14/306
D747,307 S * 1/2016 Moos D14/306
D833,535 S * 11/2018 Lim D21/370
D847,130 S * 4/2019 Skeie D14/306

* cited by examiner

Primary Examiner — Susan E Krakower
Assistant Examiner — Jerry Shiuhan-Hua Hsu
(74) *Attorney, Agent, or Firm* — William H. Honaker;
Dickinson Wright PLLC

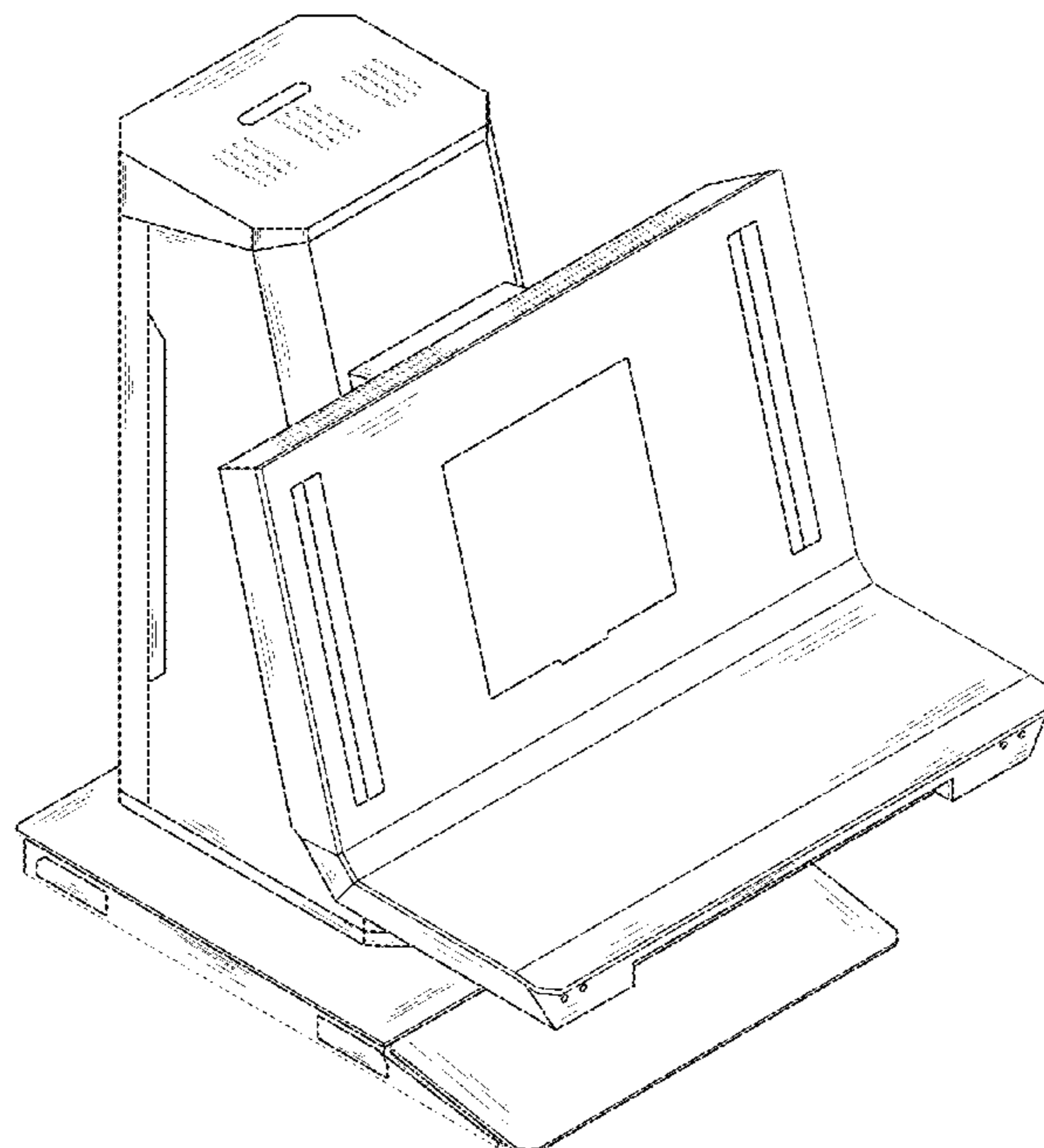
(57) **CLAIM**

The ornamental design for a control console for air traffic controllers, as shown and described herein.

DESCRIPTION

FIG. 1 is a perspective view of the control console for air traffic controllers in accordance with the present invention; FIG. 2 is a front view thereof; FIG. 3 is a rear view thereof; FIG. 4 is a right side view thereof; FIG. 5 is a left side view thereof; FIG. 6 is a top view thereof; and, FIG. 7 is a bottom view thereof. The broken phantom lines illustrate portions of the control console for air traffic controllers that form no part of the claimed design.

1 Claim, 7 Drawing Sheets



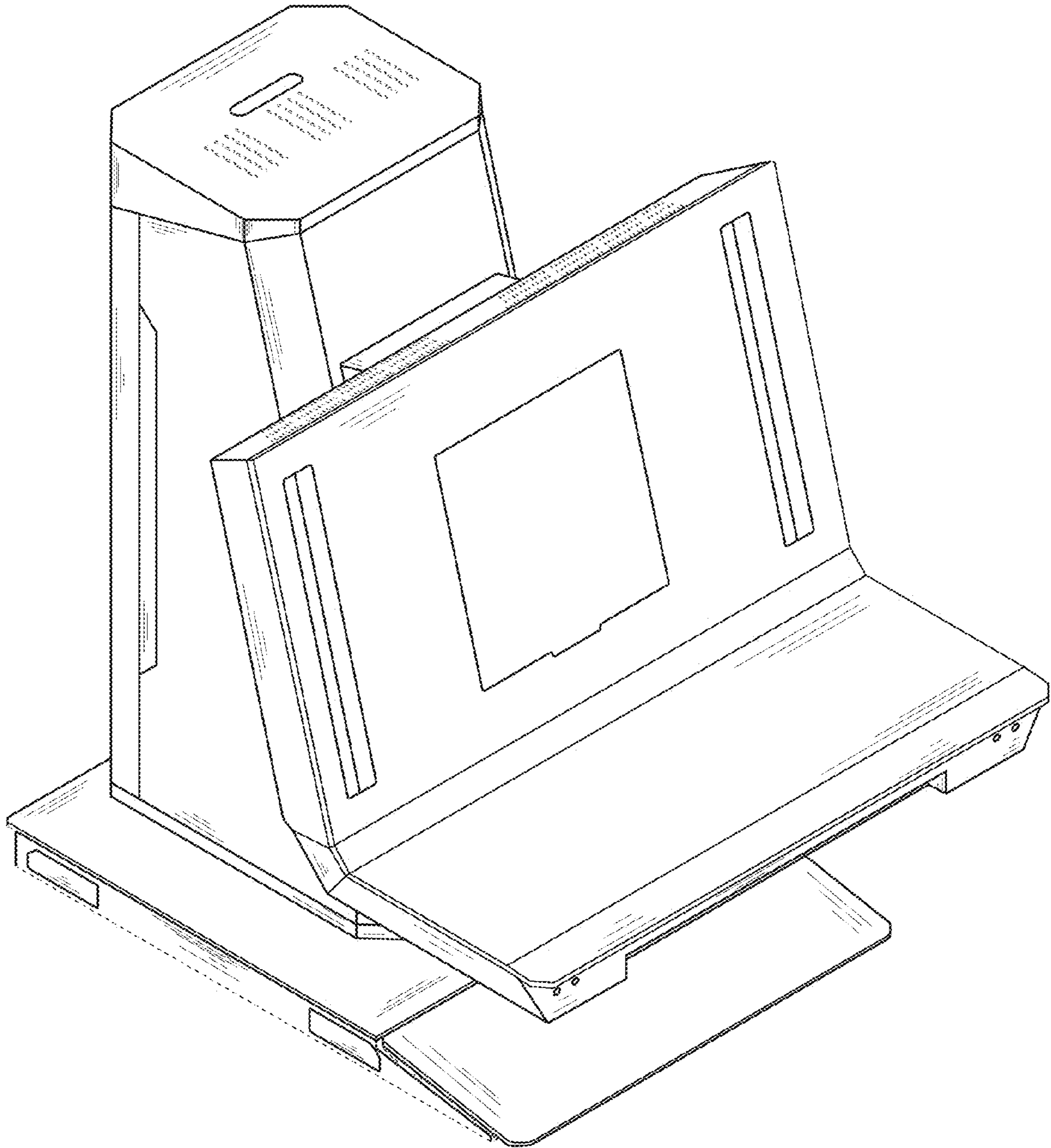


FIG. 1

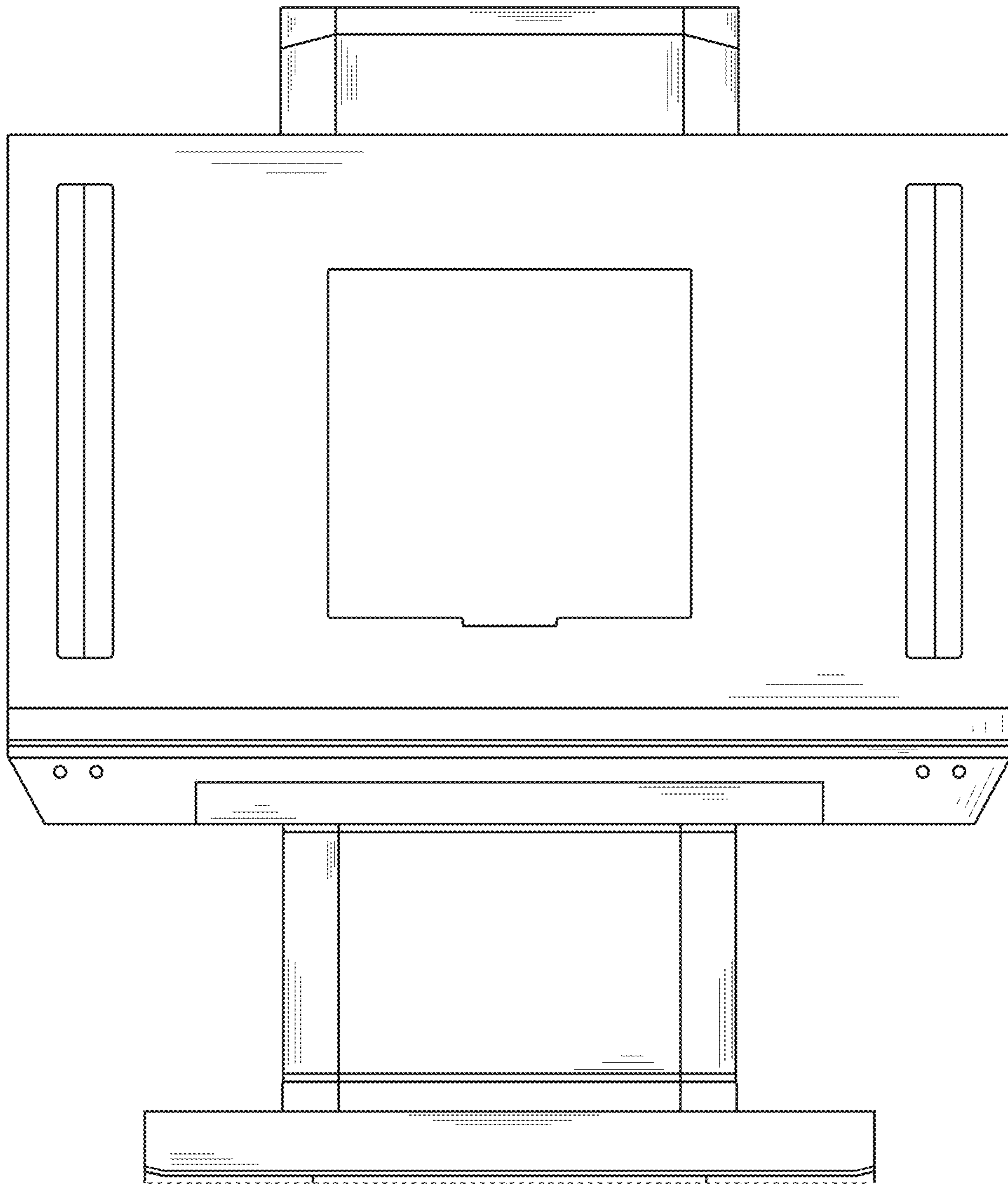


FIG. 2

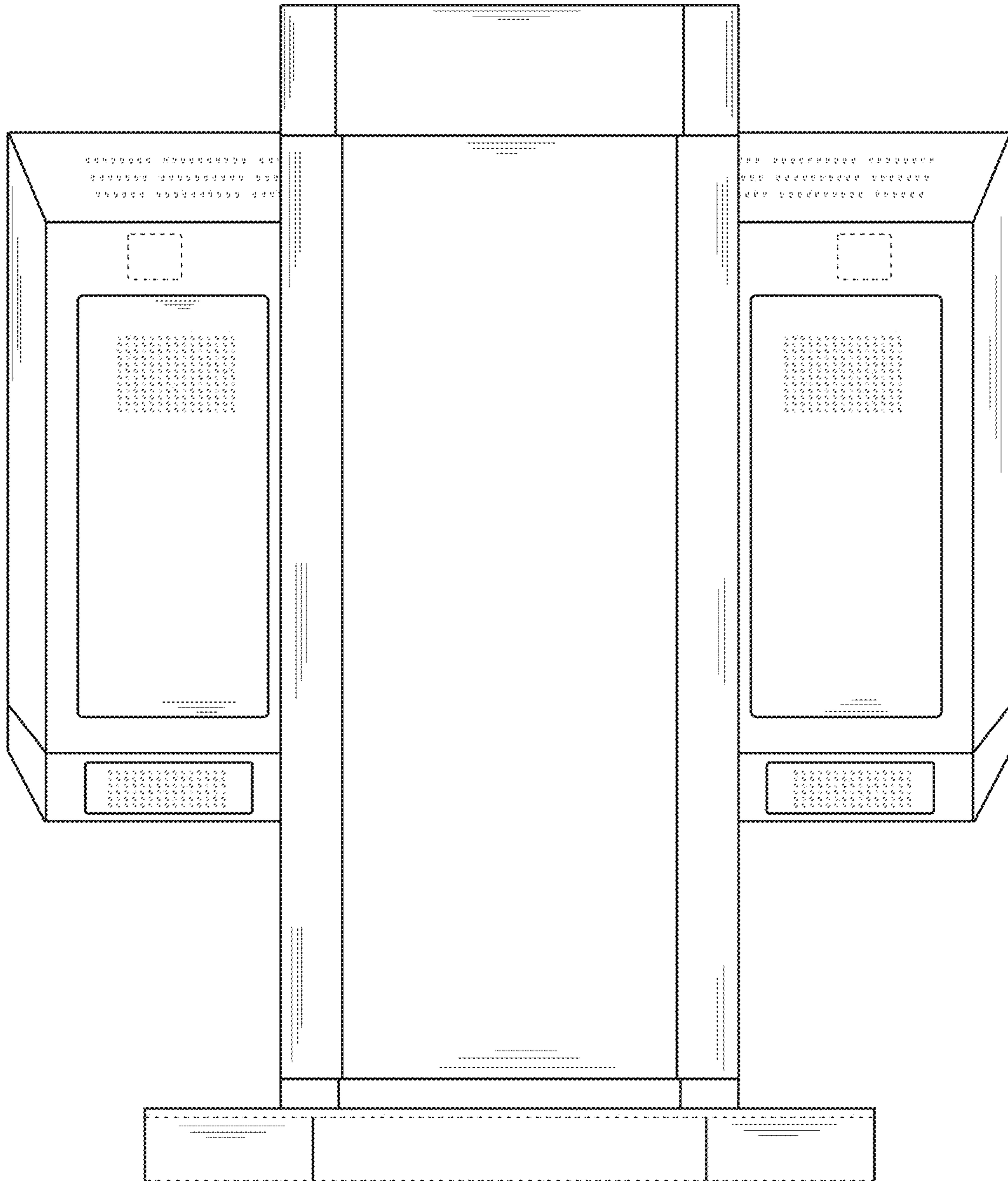


FIG. 3

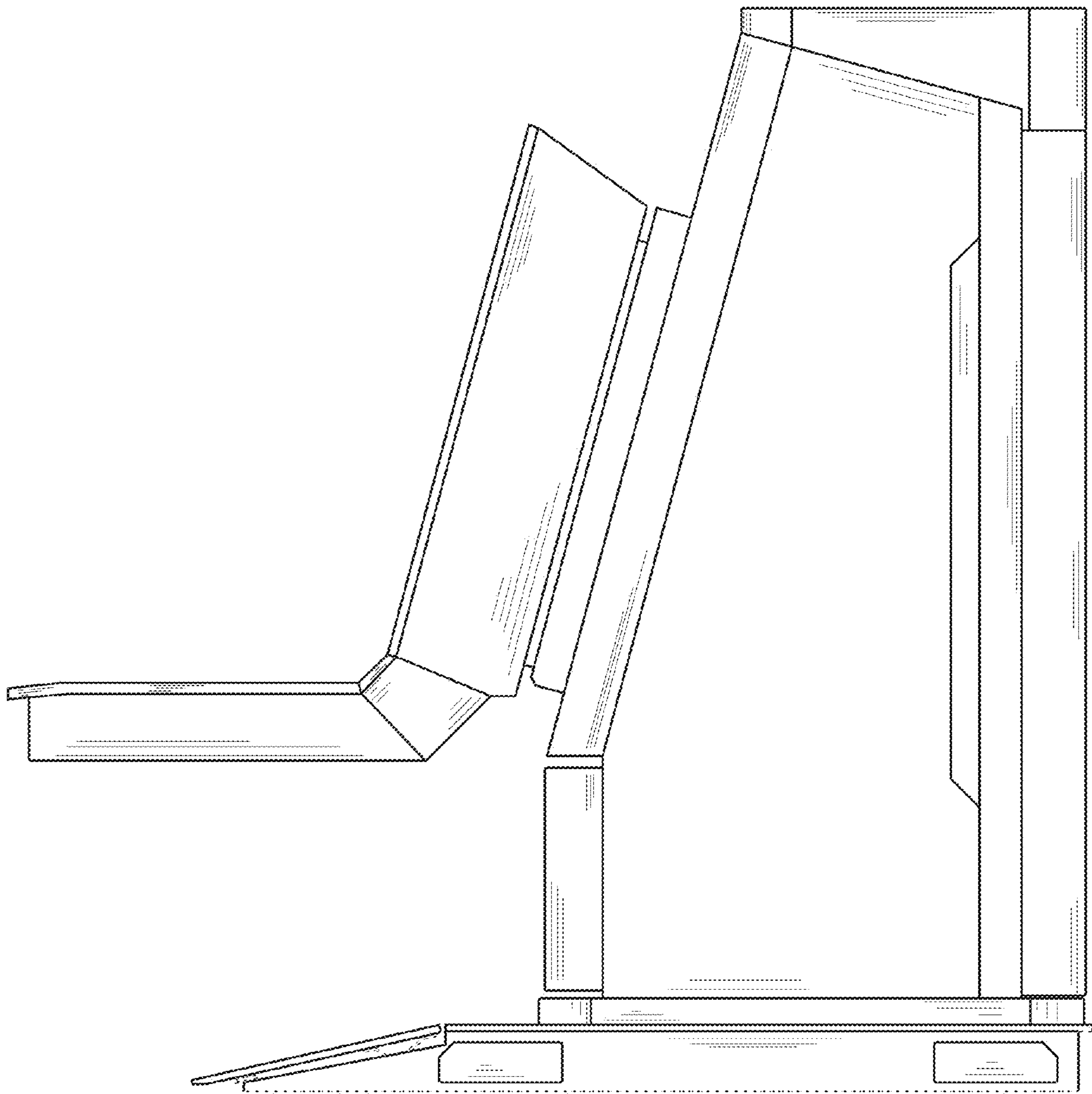


FIG. 4

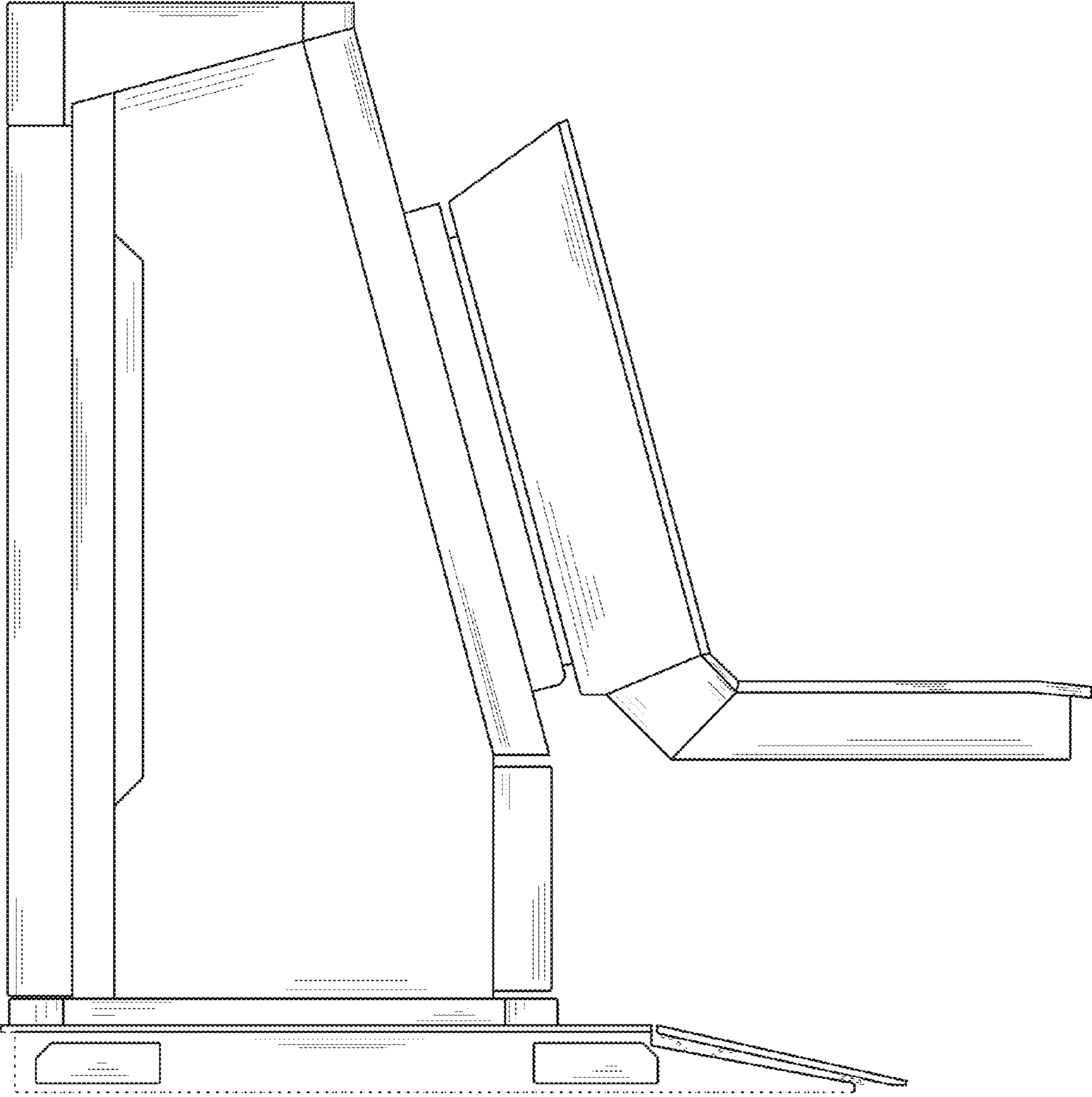


FIG. 5

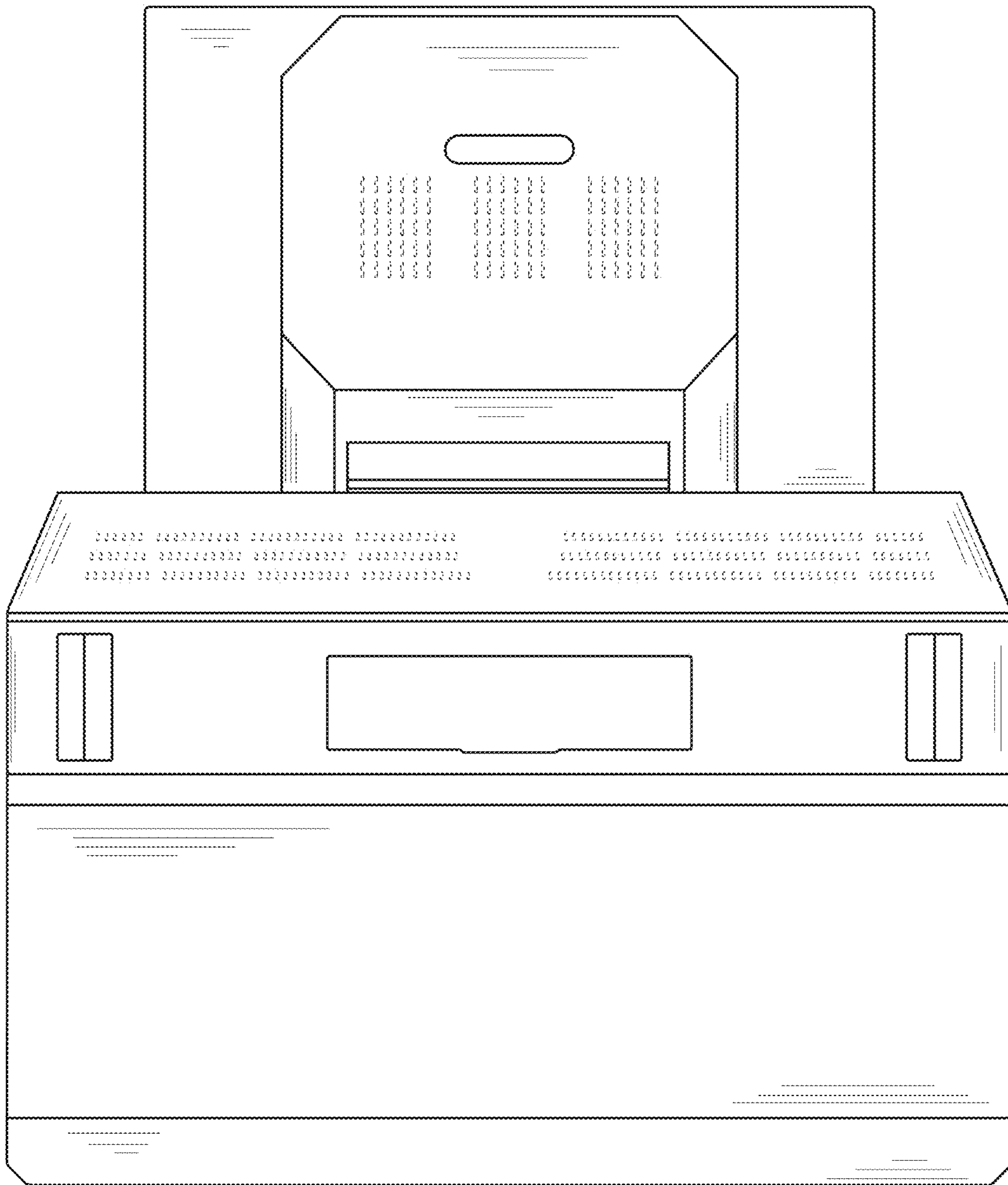


FIG. 6

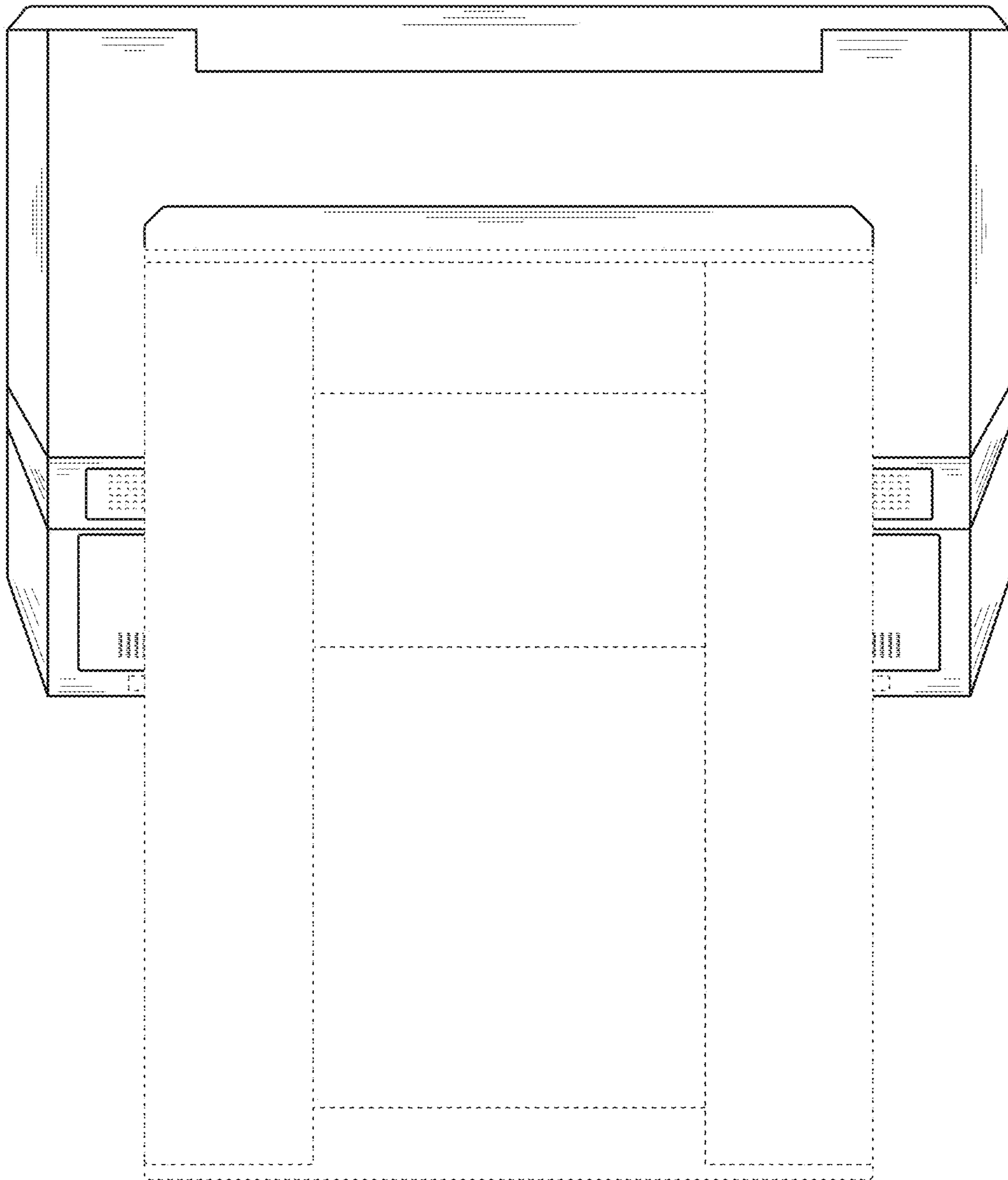


FIG. 7